



US00D775909S

(12) **United States Design Patent** (10) **Patent No.:** **US D775,909 S**
Harrington et al. (45) **Date of Patent:** **** Jan. 10, 2017**

(54) **TOOL HANDLE**

(71) Applicant: **Unger Marketing International, LLC**,
Bridgeport, CT (US)

(72) Inventors: **William Harrington**, Charlestown, RI
(US); **Kai Hirsch**, Cologne (DE);
Robert F. Smith, Waterbury, CT (US)

(73) Assignee: **UNGER MARKETING
INTERNATIONAL, LLC**, Bridgeport,
CT (US)

4,777,694 A	10/1988	Young
4,847,938 A	7/1989	Unger
5,175,902 A	1/1993	Samuelsson
D386,063 S	11/1997	Badiali
5,930,863 A	8/1999	Samuelsson
6,931,690 B2	8/2005	Cox
7,000,282 B2	2/2006	Cox et al.
D525,511 S *	7/2006	Hung D8/107
D551,530 S	9/2007	Hirsch
D564,161 S	3/2008	Talesfore et al.
D588,767 S	3/2009	Libman et al.

(Continued)

(**) Term: **14 Years**

(21) Appl. No.: **29/525,463**

(22) Filed: **Apr. 29, 2015**

(51) **LOC (10) Cl.** **08-05**

(52) **U.S. Cl.**
USPC **D8/14**

(58) **Field of Classification Search**
USPC ... D8/14, 51, 82, 83, 95, 98, 107, 300, 303;
D32/41, 44, 48, 49; D7/395; D4/138
CPC A47L 1/06; B25G 3/30; B25G 3/18
See application file for complete search history.

FOREIGN PATENT DOCUMENTS

JP	H09154776 A	6/1997
WO	2005023075 A1	3/2005

Primary Examiner — Phillip S Hyder
(74) *Attorney, Agent, or Firm* — Ohlandt, Greeley,
Ruggiero & Perle, LLP

(57) **CLAIM**

The ornamental design for a tool handle, as shown and described.

DESCRIPTION

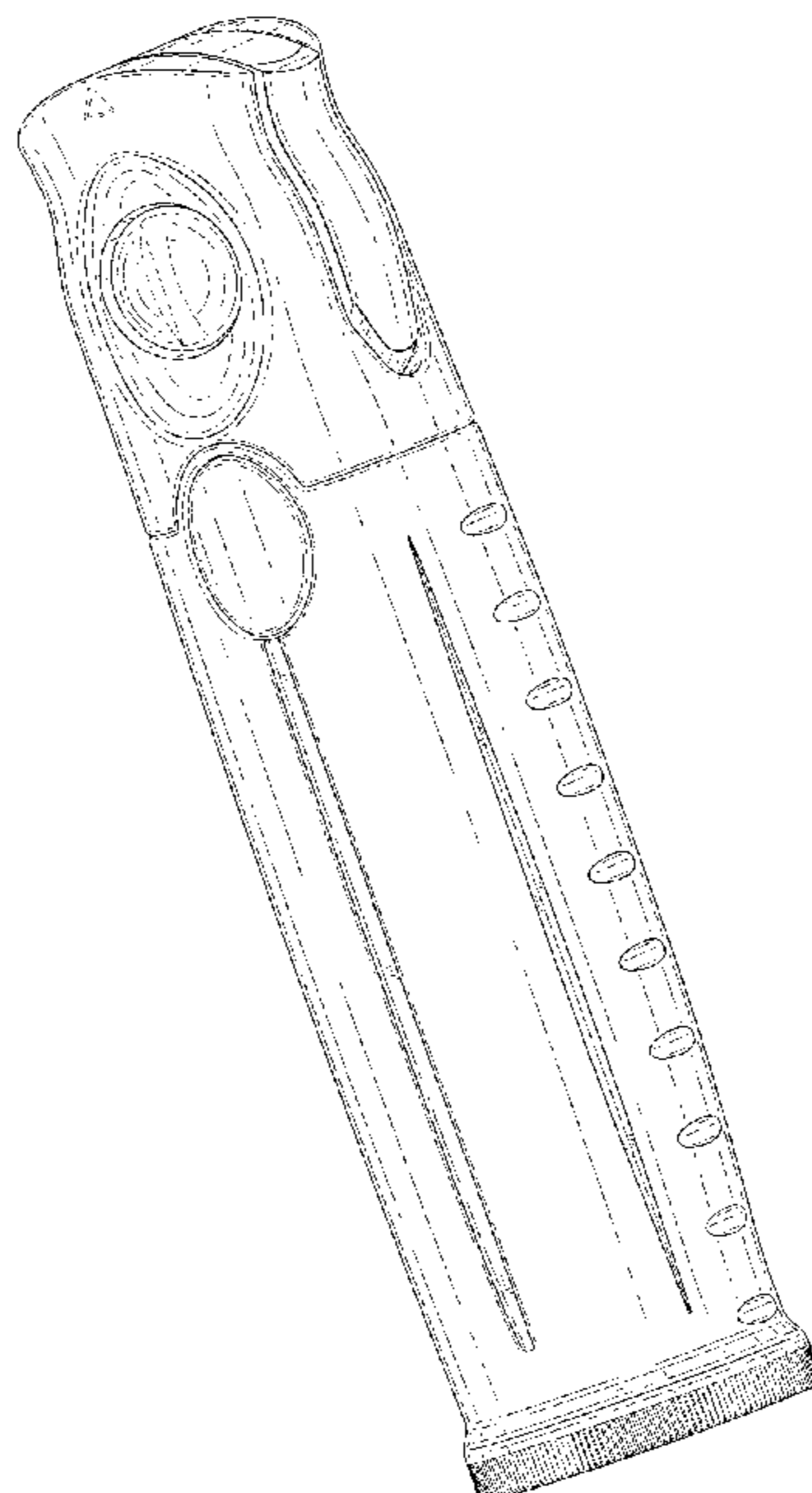
FIG. 1 is a front perspective view of a tool handle according to the present disclosure;
FIG. 2 is a rear view of the tool handle of FIG. 1;
FIG. 3 is a first side view of the tool handle of FIG. 1;
FIG. 4 is a front view of the tool handle of FIG. 1;
FIG. 5 is a second, opposite view of the tool handle of FIG. 1;
FIG. 6 is a top view of the tool handle of FIG. 1; and,
FIG. 7 is a bottom view of the tool handle of FIG. 1.
The broken lines in the drawings form no part of the claimed design.

1 Claim, 6 Drawing Sheets

(56) **References Cited**

U.S. PATENT DOCUMENTS

559,023 A	4/1896	Barron
1,628,783 A	5/1927	Jenson et al.
2,112,462 A	3/1938	Hawrylasz
2,123,638 A	7/1938	Steccone
2,261,475 A	11/1941	Kautenberg
2,328,287 A	8/1943	Martin
2,814,822 A	12/1957	Page
2,905,960 A	9/1959	Ward
3,892,005 A	7/1975	Berns
D298,072 S	10/1988	Stirling



(56)

References Cited

U.S. PATENT DOCUMENTS

D614,819 S * 4/2010 Lin D30/159
D618,981 S 7/2010 Gringer
7,748,074 B2 7/2010 Guizzi
D627,532 S 11/2010 Yang et al.
D632,857 S 2/2011 Sgroi et al.
D632,858 S 2/2011 Sgroi et al.
D634,496 S 3/2011 Porco
D649,314 S 11/2011 Quinlan et al.
D690,184 S * 9/2013 Chen D8/107
2006/0260084 A1 11/2006 Guizzi

* cited by examiner

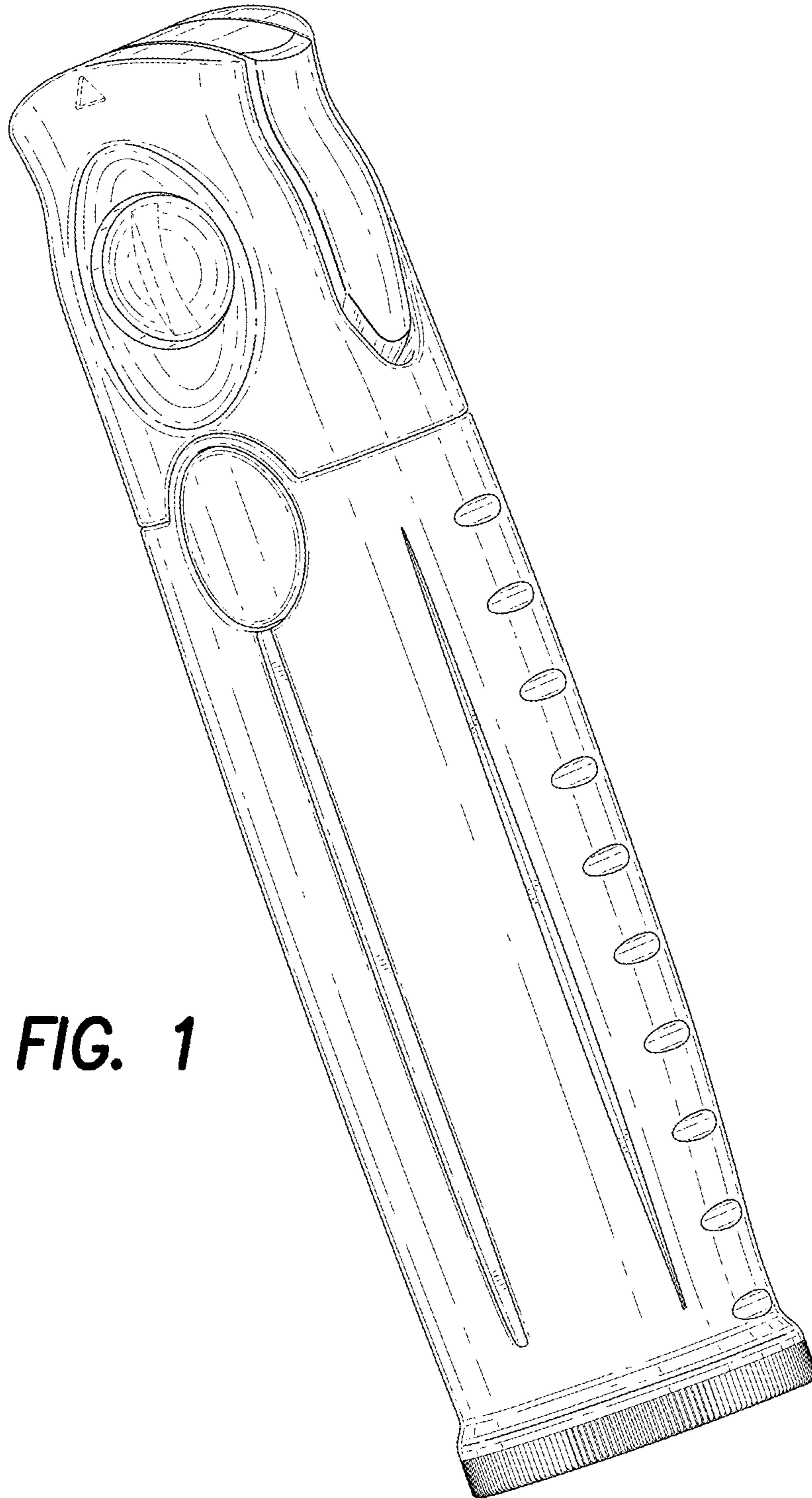


FIG. 1

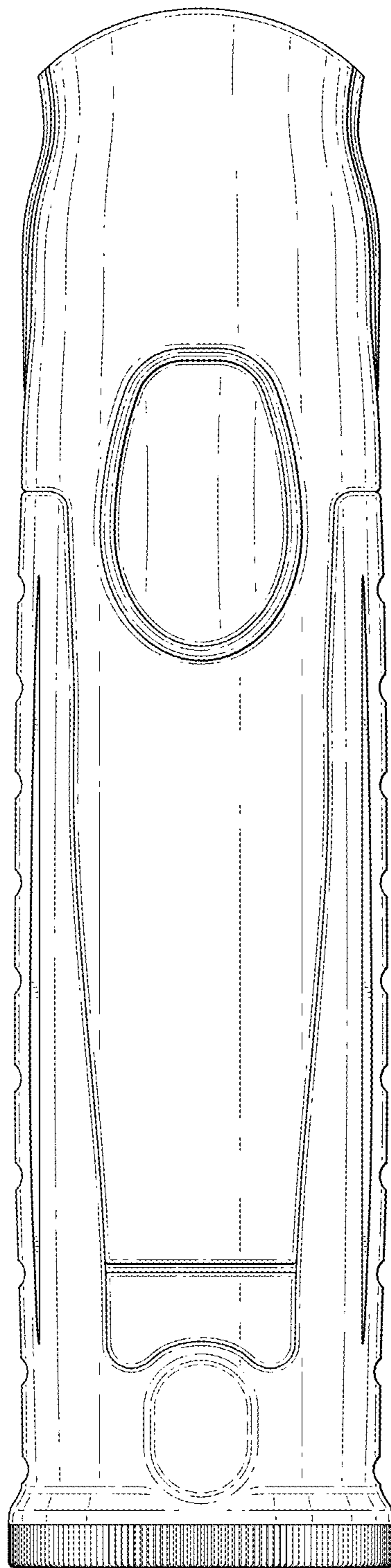


FIG. 2

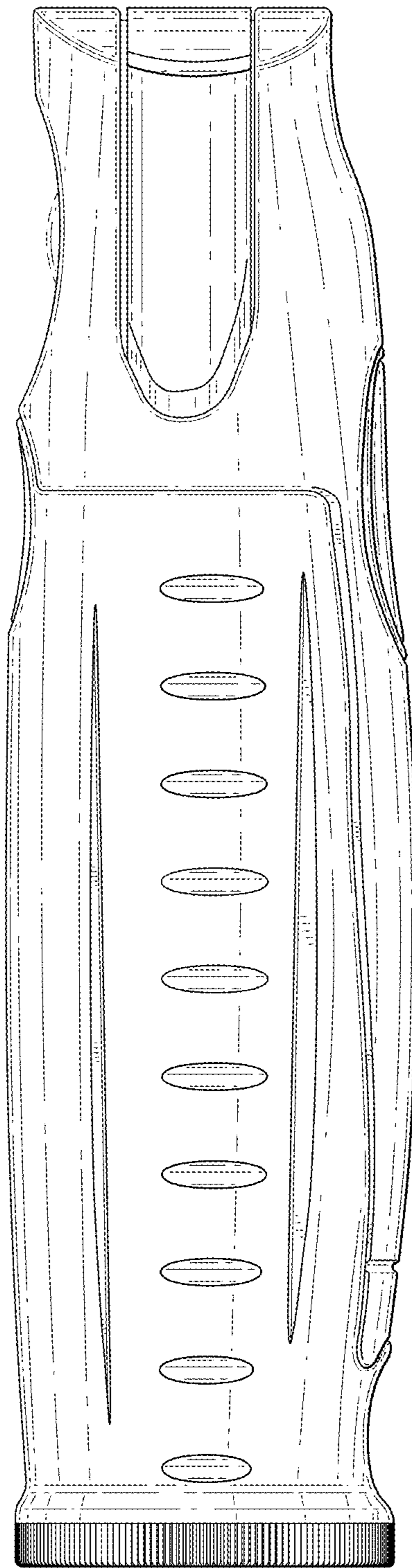


FIG. 3

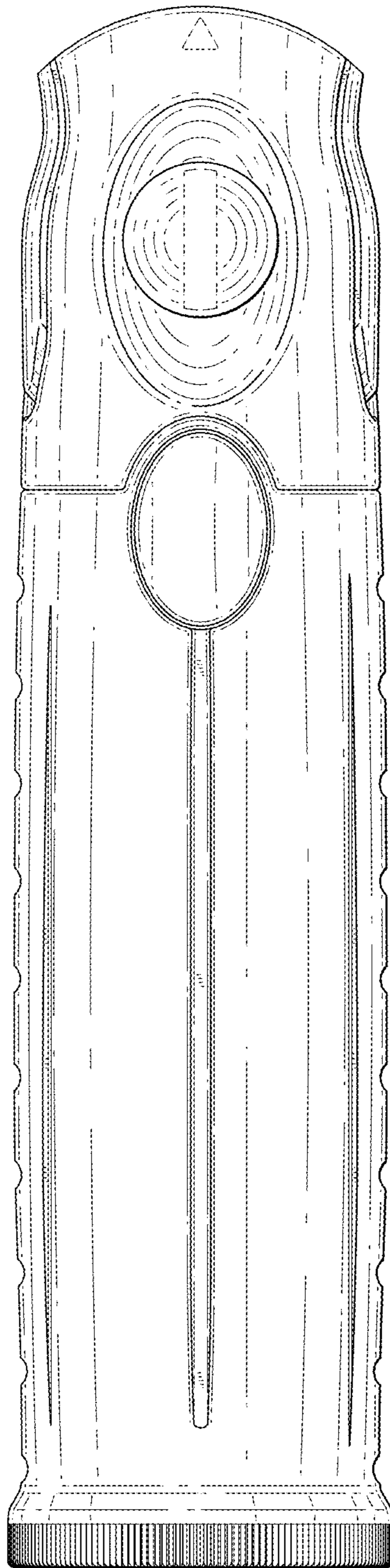


FIG. 4

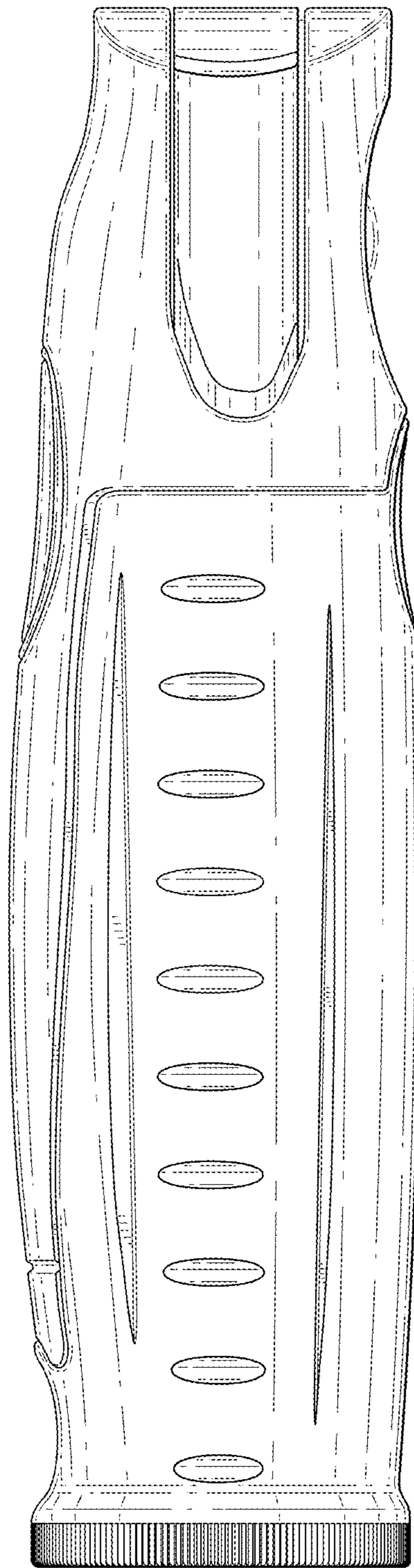


FIG. 5

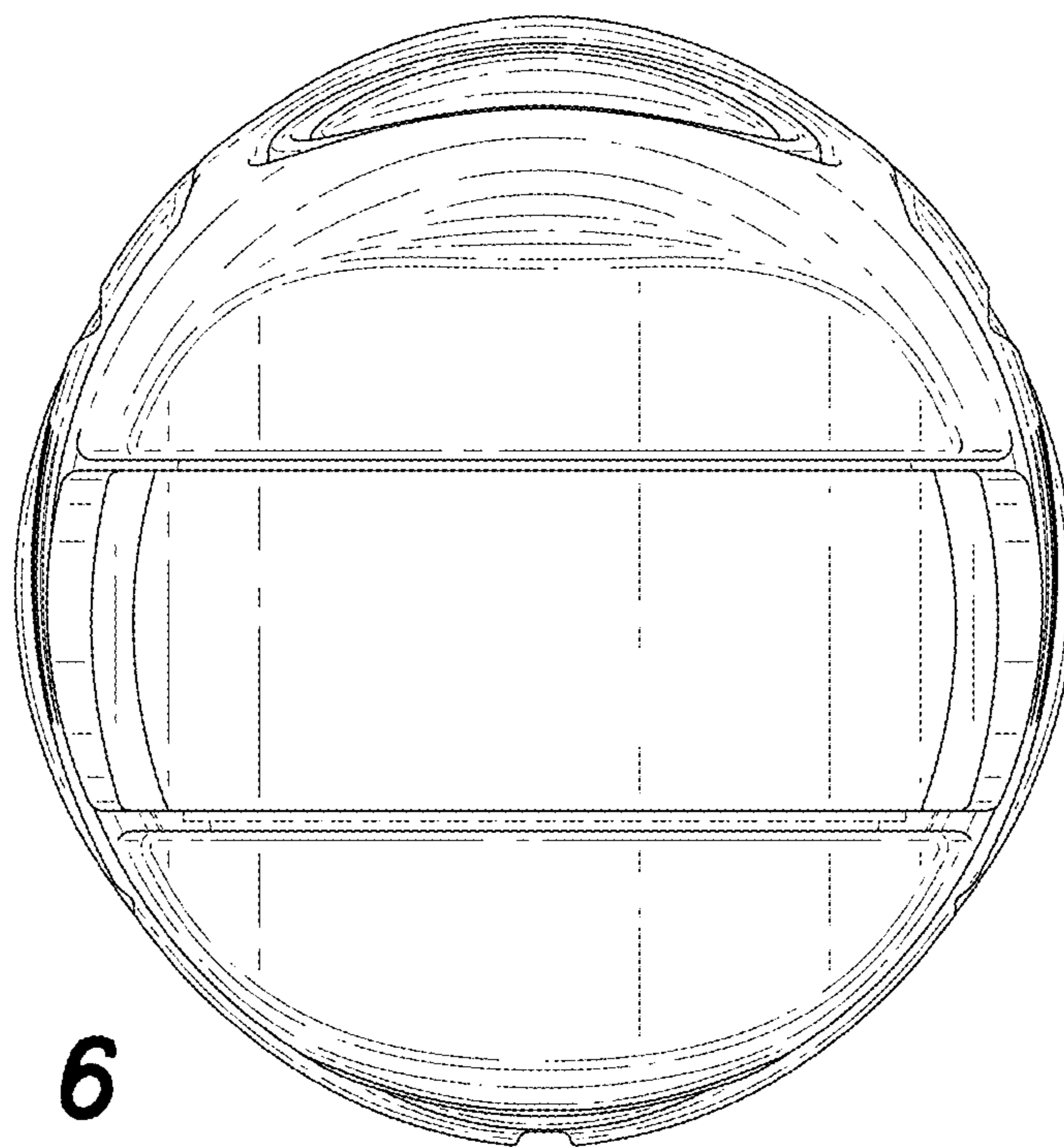


FIG. 6

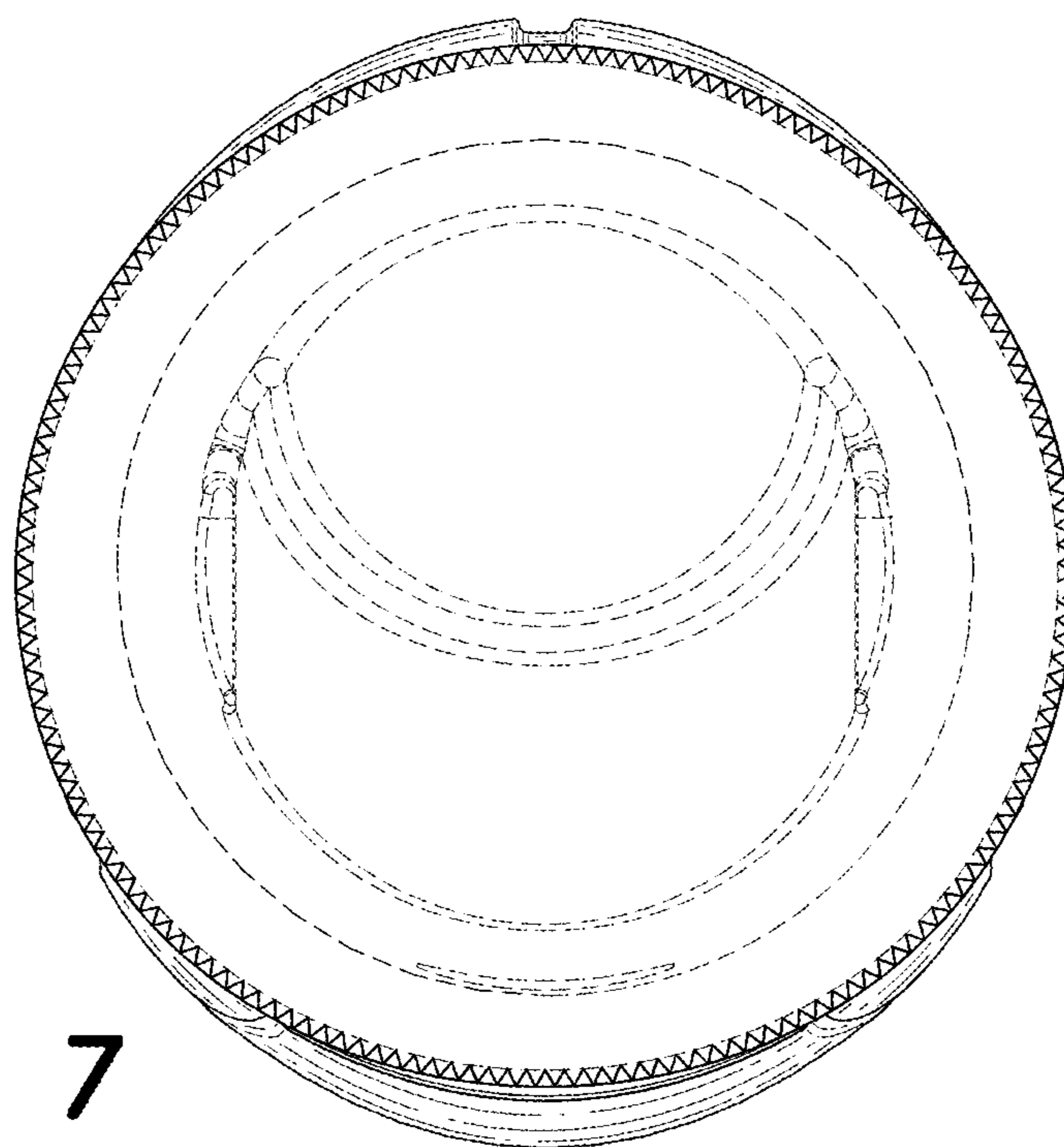


FIG. 7