



US00D775908S

(12) **United States Design Patent** (10) **Patent No.:** **US D775,908 S**  
**Boies et al.** (45) **Date of Patent:** **\*\* Jan. 10, 2017**

(54) **LAWN RAKE** 2,529,025 A 11/1950 Kaufman  
2,587,424 A 2/1952 Zeman  
(71) Applicant: **GARANT GP, Saint-François (CA)** 2,720,745 A 10/1955 Melvin  
2,746,235 A 5/1956 Kautenberg  
(72) Inventors: **David Boies, Lévis (CA); François** 2,794,312 A 6/1957 Finkes  
**Parenteau, Quebec (CA);** 2,841,948 A 7/1958 Zenowitz  
**Marie-Claude Guay, Lac Beauport** 2,850,865 A 9/1958 Anderson  
**(CA)** 2,968,974 A 1/1961 Everett  
2,999,350 A 9/1961 Dettman  
3,350,866 A 11/1967 Spencer  
(73) Assignee: **GARANT GP, Saint-François (CA)** 4,057,953 A 11/1977 Rugg  
4,215,528 A \* 8/1980 Fodor ..... A01D 7/08  
294/51

(\*\*) Term: **14 Years** (Continued)

(21) Appl. No.: **29/503,680**

FOREIGN PATENT DOCUMENTS

(22) Filed: **Sep. 29, 2014**  
(51) **LOC (10) Cl.** ..... **08-01**  
(52) **U.S. Cl.**  
USPC ..... **D8/13**  
(58) **Field of Classification Search**  
USPC ..... D8/1, 13, 10  
CPC ..... A01D 7/06; A01D 7/08; A01D 7/00;  
A01D 7/02  
See application file for complete search history.

CA 1254790 A1 5/1989  
CA 2155576 A1 8/1995

(Continued)

*Primary Examiner* — Sheryl Lane  
(74) *Attorney, Agent, or Firm* — Gwendoline Bruneau

(57) **CLAIM**

The ornamental design for a lawn rake, as shown and described.

(56) **References Cited**

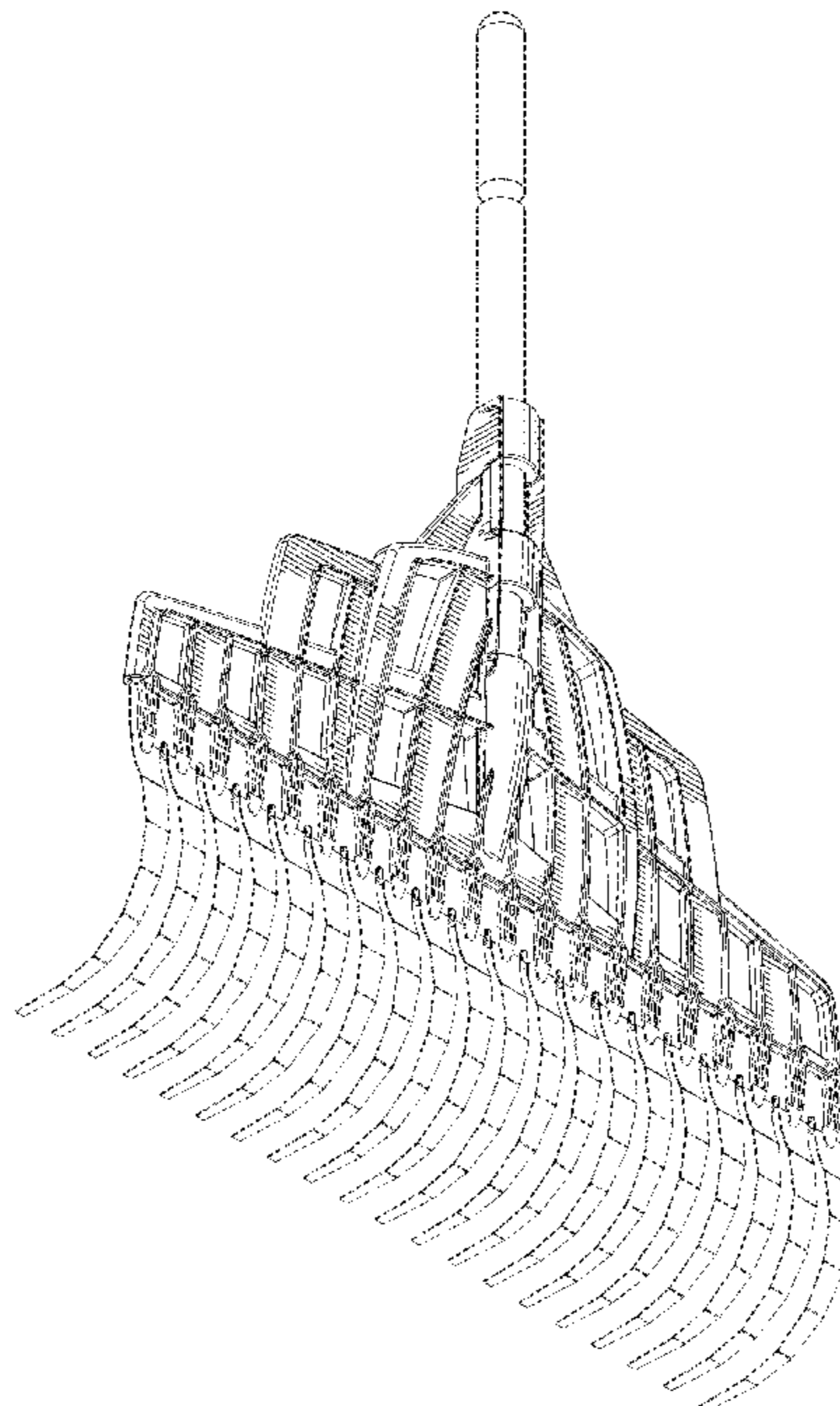
**DESCRIPTION**

U.S. PATENT DOCUMENTS

1,699,947 A 1/1929 Bell et al.  
1,983,596 A 12/1934 Carlson  
2,030,183 A 2/1936 Rocquin  
2,032,954 A 3/1936 Reichard  
2,055,521 A 9/1936 Dennis  
2,087,499 A 7/1937 Borovicka  
2,252,114 A 8/1941 Brown  
2,300,729 A 11/1942 Kemmer  
2,310,322 A 2/1943 Semler  
2,329,708 A 9/1943 Fetterman  
2,481,442 A 9/1949 Paul

FIG. 1 is perspective view of the lawn rake;  
FIG. 2 is a back view of the lawn rake of FIG. 1;  
FIG. 3 is a side view of the lawn rake of FIG. 1;  
FIG. 4 is a front view of the lawn rake of FIG. 1;  
FIG. 5 is a top view of the lawn rake of FIG. 1; and,  
FIG. 6 is a bottom view of the lawn rake of FIG. 1.  
The portion of the article shown in broken line form no part  
of the claimed design.

**1 Claim, 5 Drawing Sheets**



(56)

References Cited

U.S. PATENT DOCUMENTS

4,219,993 A 9/1980 Cosmos  
 D263,367 S \* 3/1982 Fodor ..... D8/13  
 4,744,208 A \* 5/1988 King ..... A01D 7/00  
 56/400.16  
 4,831,815 A 5/1989 Bonnes  
 4,848,073 A 7/1989 Germain et al.  
 D311,310 S \* 10/1990 Clivio ..... D8/13  
 5,022,221 A 6/1991 Bonnes et al.  
 5,033,261 A \* 7/1991 Bonnes ..... A01D 7/06  
 56/400.17  
 5,241,812 A \* 9/1993 Crippen ..... A01D 7/06  
 56/400.05  
 5,287,688 A \* 2/1994 Sun ..... A01D 7/00  
 56/400.19  
 5,303,536 A 4/1994 Tolliver  
 5,305,591 A 4/1994 Gibson  
 D350,052 S \* 8/1994 Sun ..... D8/13  
 5,414,982 A 5/1995 Darnell  
 5,440,868 A 8/1995 Darnell  
 5,487,260 A 1/1996 Proffitt  
 5,522,209 A 6/1996 Petruzzelli  
 5,555,711 A 9/1996 Costa  
 5,934,057 A 8/1999 Daniels et al.  
 5,974,775 A 11/1999 Niehuss  
 6,023,924 A 2/2000 Babineau  
 D425,384 S \* 5/2000 Parker ..... D8/13  
 D426,437 S \* 6/2000 Parker ..... D8/13

6,131,381 A 10/2000 Milbury  
 6,272,827 B1 8/2001 Hsu  
 6,370,857 B1 \* 4/2002 Mitchell ..... A01D 7/10  
 56/400.04  
 6,427,431 B1 8/2002 Hsu  
 6,474,056 B1 \* 11/2002 Hsu ..... A01D 7/06  
 56/400.17  
 6,502,381 B2 1/2003 Crites  
 D505,304 S \* 5/2005 Conaway ..... D8/13  
 D514,902 S \* 2/2006 Conaway ..... D8/13  
 D653,091 S \* 1/2012 Hua ..... D8/10  
 8,172,287 B1 5/2012 Watson  
 8,689,533 B2 4/2014 Abughazaleh  
 D715,118 S \* 10/2014 Wofford ..... D8/13  
 2005/0188671 A1 \* 9/2005 Conaway ..... A01D 7/00  
 56/400.18  
 2006/0196162 A1 \* 9/2006 Iaizzo ..... A01D 7/00  
 56/400.12  
 2007/0125058 A1 6/2007 Clifton  
 2015/0020493 A1 \* 1/2015 Stein ..... A01D 7/06  
 56/400.16

FOREIGN PATENT DOCUMENTS

GB 1523116 8/1978  
 GB 2078475 1/1982  
 WO 2009043085 A1 4/2009  
 WO 2011116789 A1 9/2009

\* cited by examiner

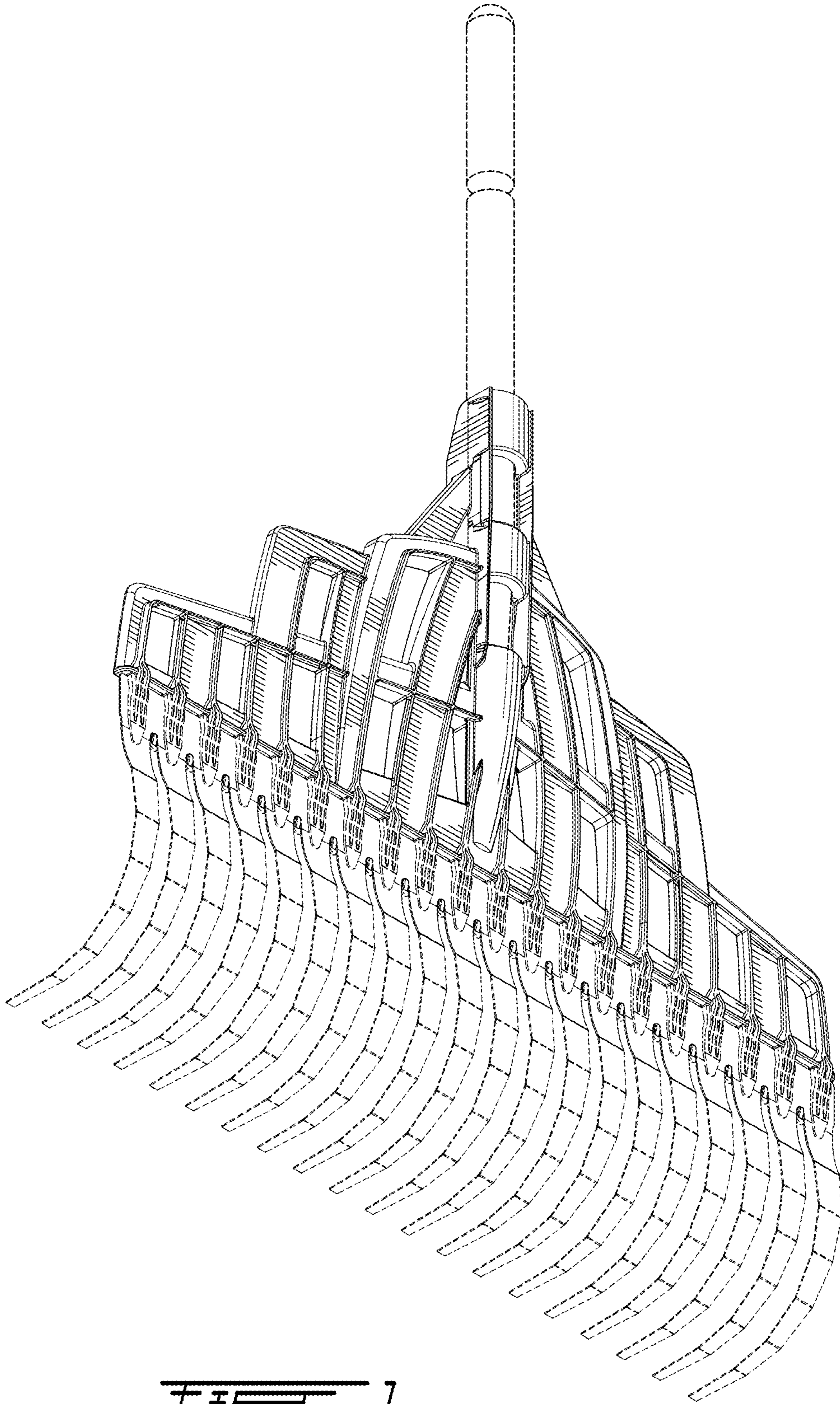


FIG. 1

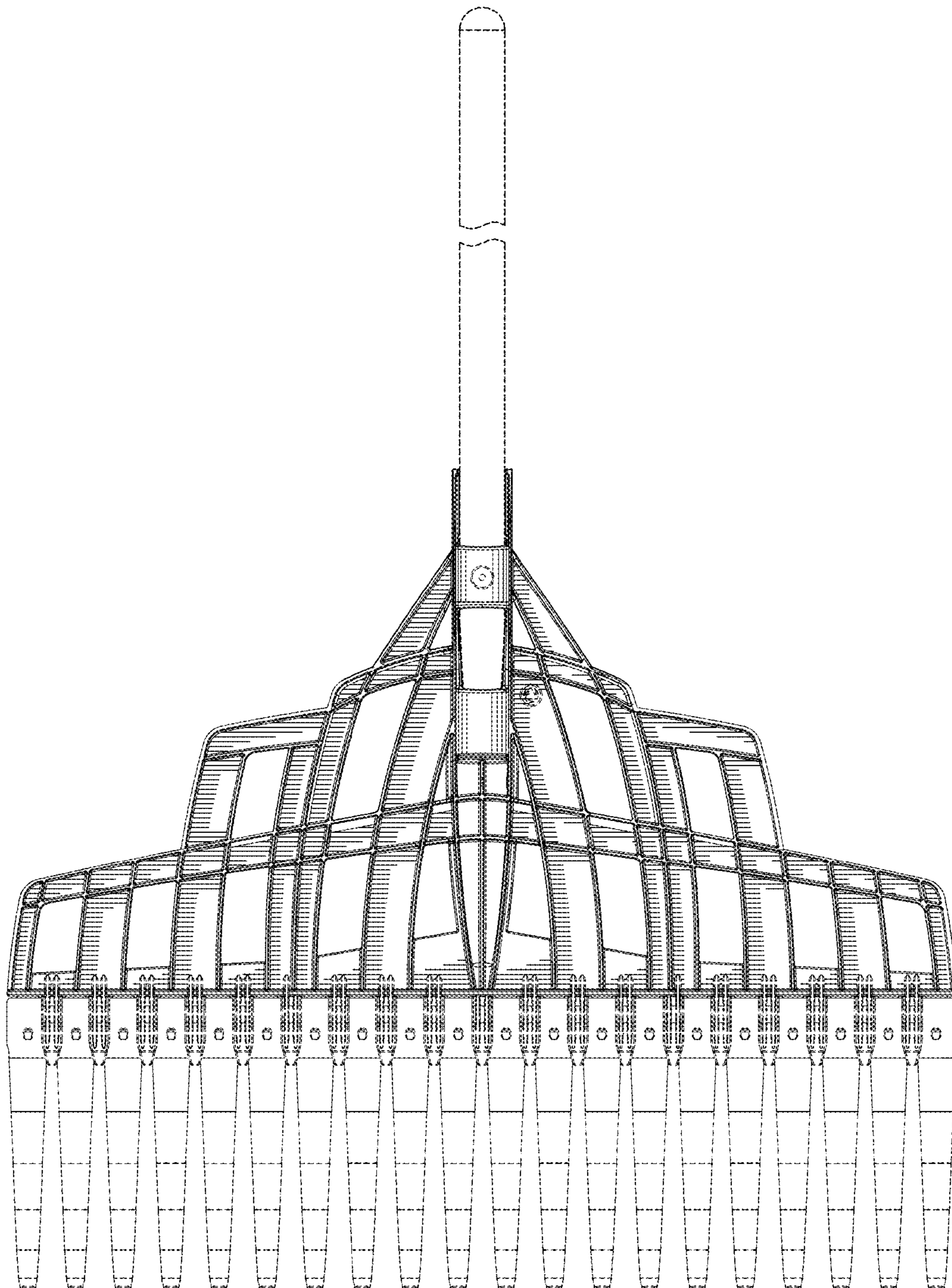


FIG. 2

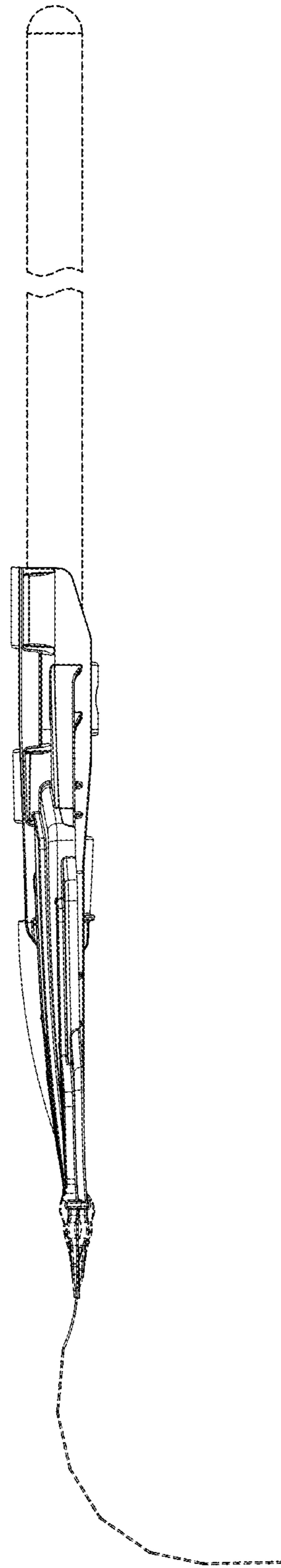


FIG. 3

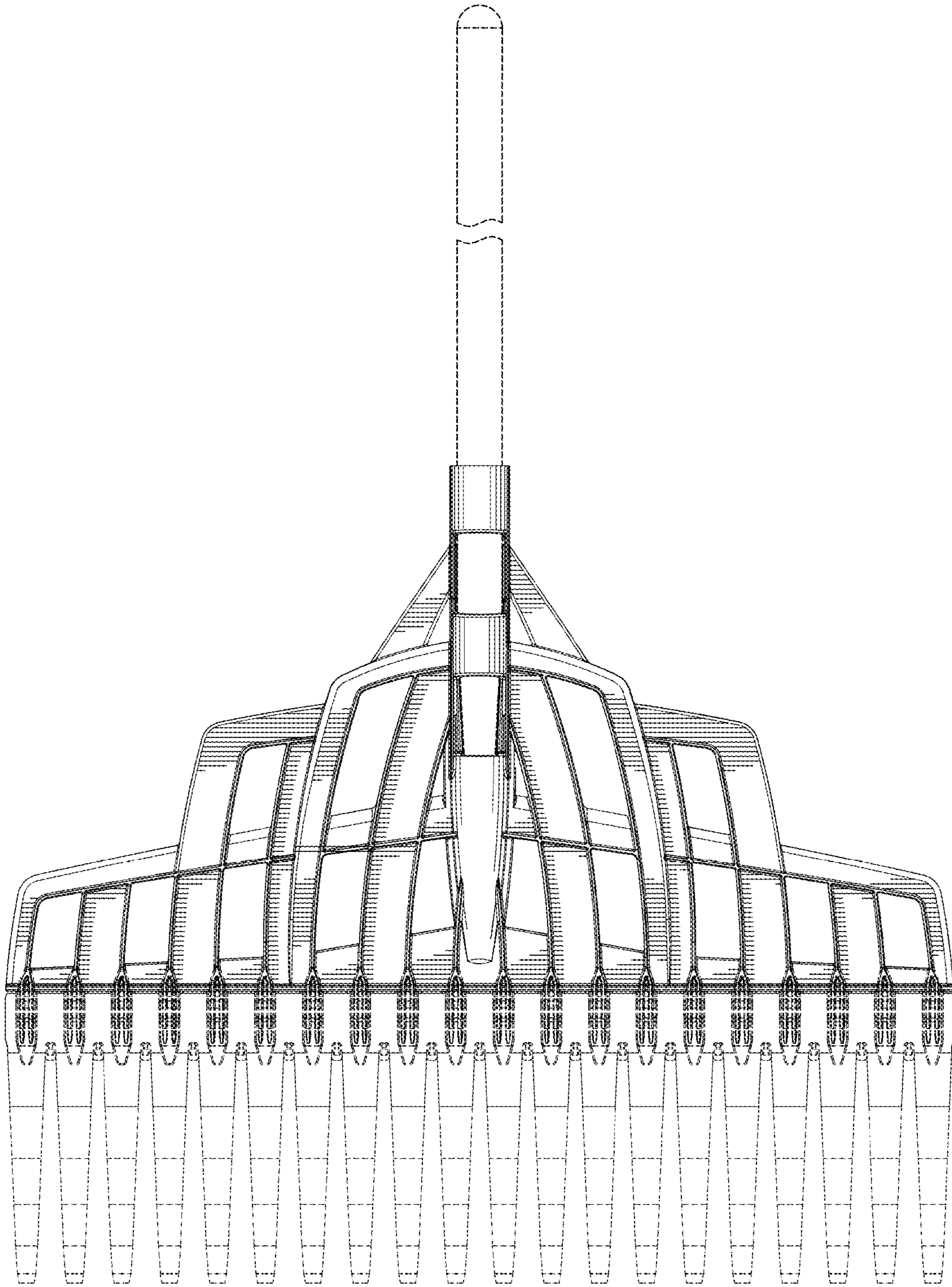


FIG. 4

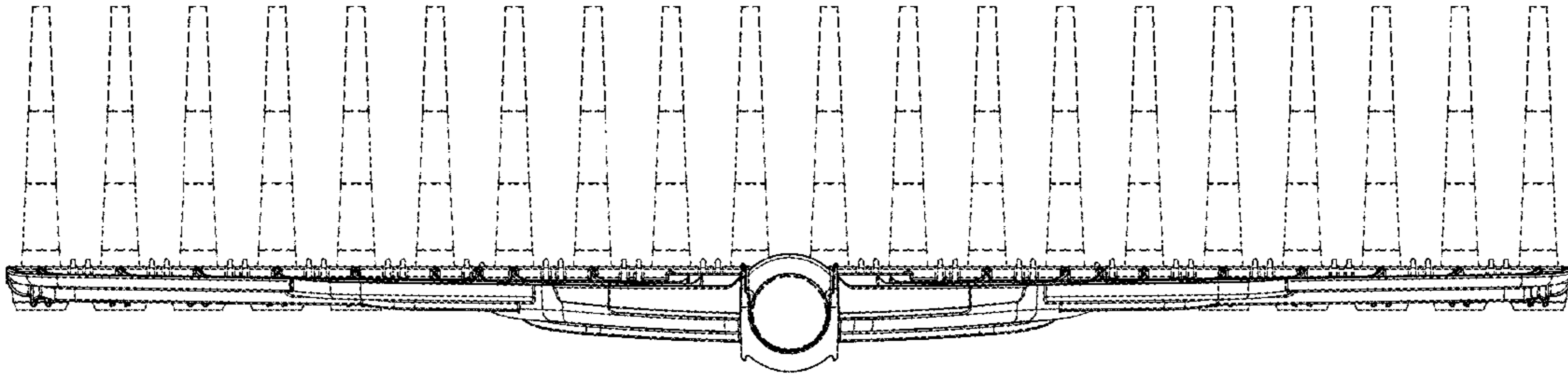


FIG. 5

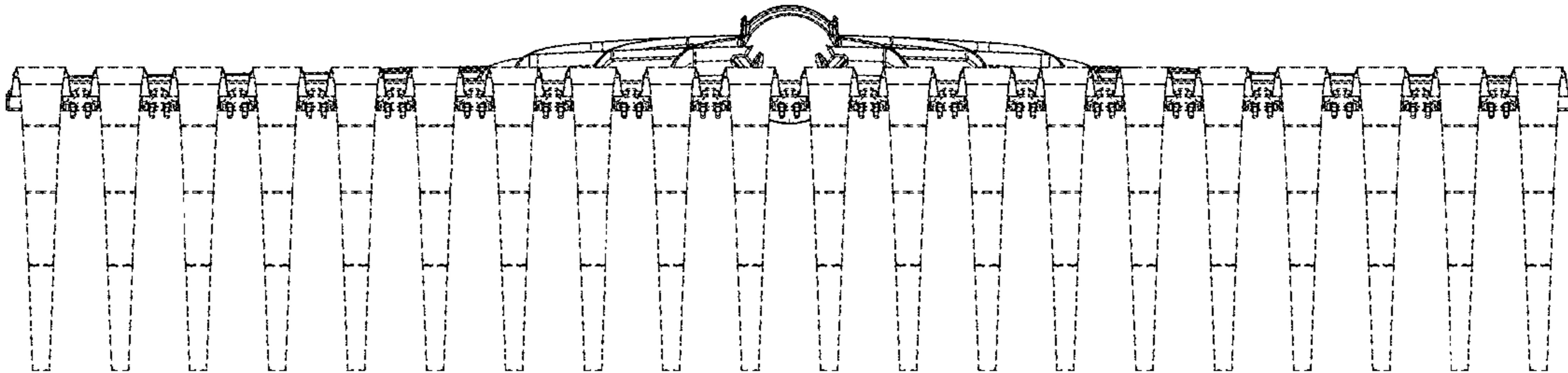


FIG. 6