



US00D775906S

(12) **United States Design Patent**
Edwards

(10) **Patent No.:** **US D775,906 S**
(45) **Date of Patent:** **** Jan. 10, 2017**

(54) **DRINKING GLASS HOLDING APPARATUS**

4,961,555 A * 10/1990 Egan, Jr. A47G 23/0225
211/41.2
D322,194 S * 12/1991 Egan, Jr. D7/708.1
D350,456 S * 9/1994 Linder D7/620

(71) Applicant: **Carolina Edwards**, Chula Vista, CA
(US)

(72) Inventor: **Carolina Edwards**, Chula Vista, CA
(US)

(**) Term: **14 Years**

(21) Appl. No.: **29/523,203**

(22) Filed: **Apr. 7, 2015**

(51) **LOC (10) Cl.** **07-06**

(52) **U.S. Cl.**
USPC **D7/708.1**

(58) **Field of Classification Search**
USPC D7/701-708.1, 396.1
CPC A47G 23/02; A47G 23/0225; A47G 19/06;
F21V 21/08; F21V 21/088
See application file for complete search history.

(56) **References Cited**

U.S. PATENT DOCUMENTS

2,719,414 A * 10/1955 Davis A47G 23/0225
220/23.83
D281,565 S * 12/1985 Stourton 248/229.16

* cited by examiner

Primary Examiner — Terry Wallace

(74) *Attorney, Agent, or Firm* — Dale J. Ream

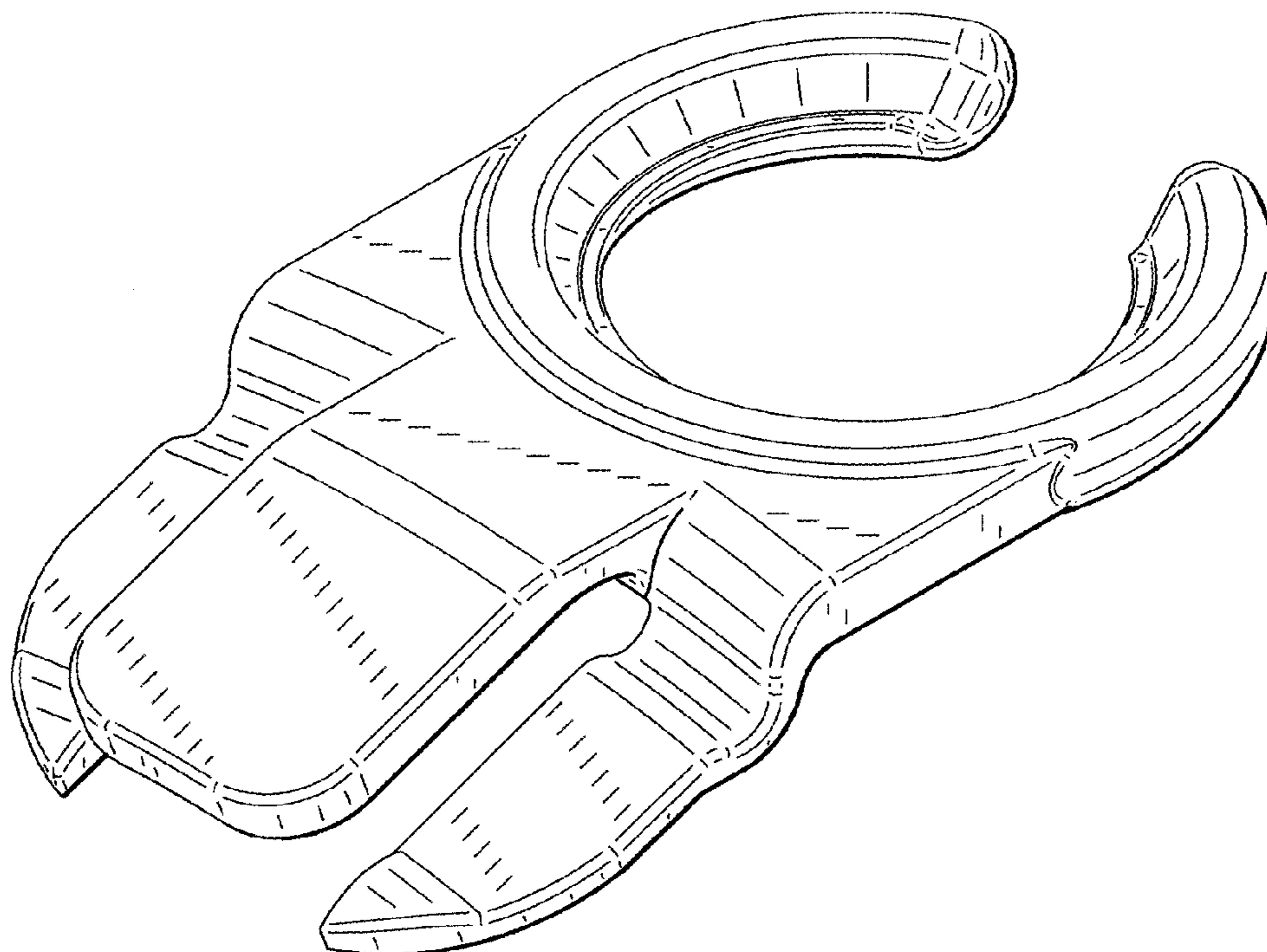
(57) **CLAIM**

The ornamental design for a drinking glass holding apparatus, as shown and described.

DESCRIPTION

FIG. 1 is a perspective view of a drinking glass holding apparatus showing my new design;
FIG. 2 is a front view thereof;
FIG. 3 is a back view thereof;
FIG. 4 is a right side view thereof;
FIG. 5 is a left side view thereof;
FIG. 6 is a top view thereof; and,
FIG. 7 is a bottom view thereof.

1 Claim, 5 Drawing Sheets



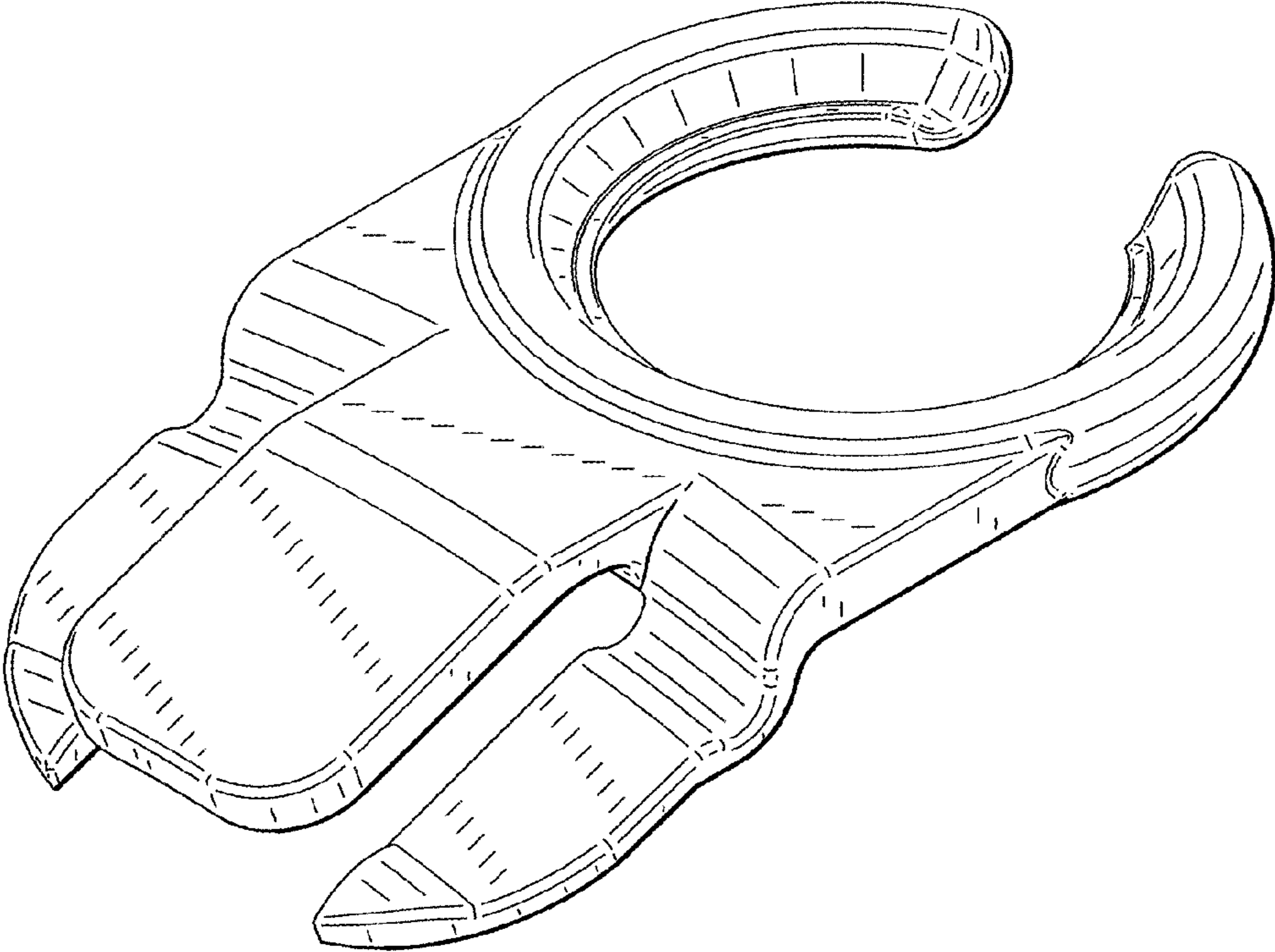


FIG. 1

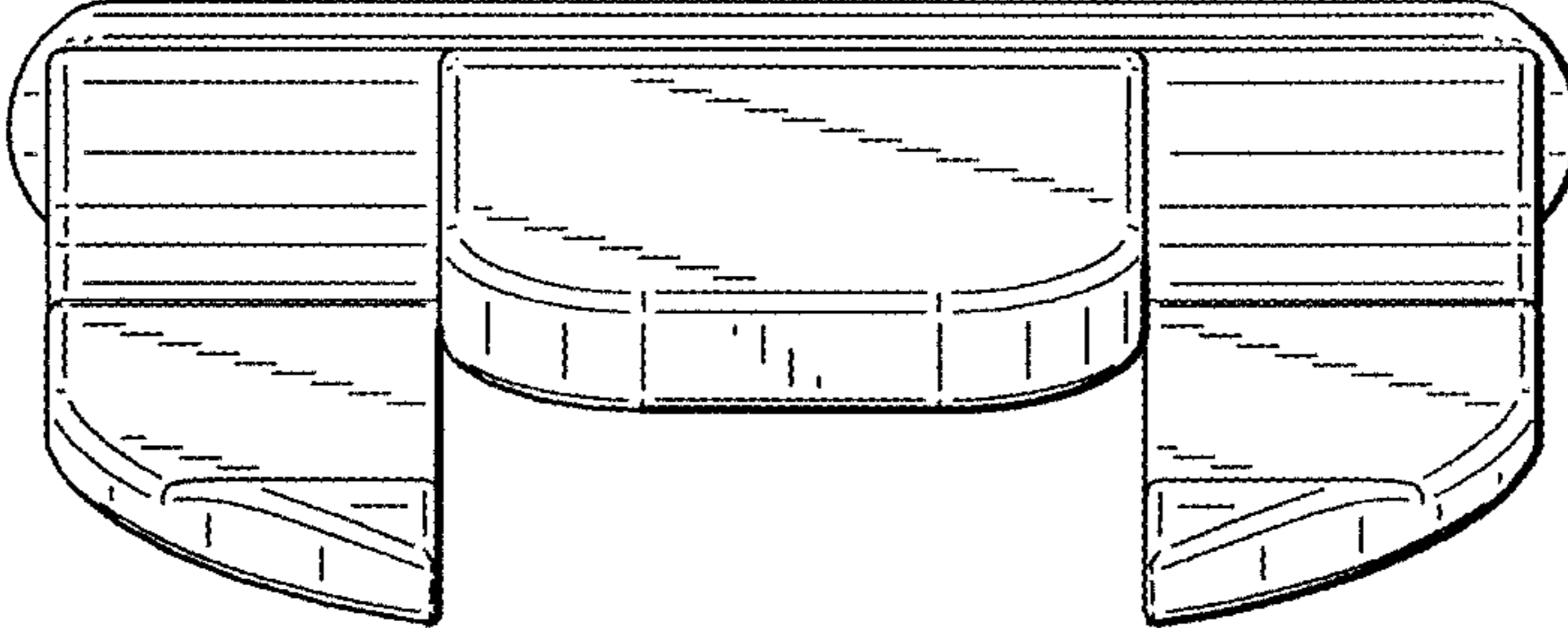


FIG. 2

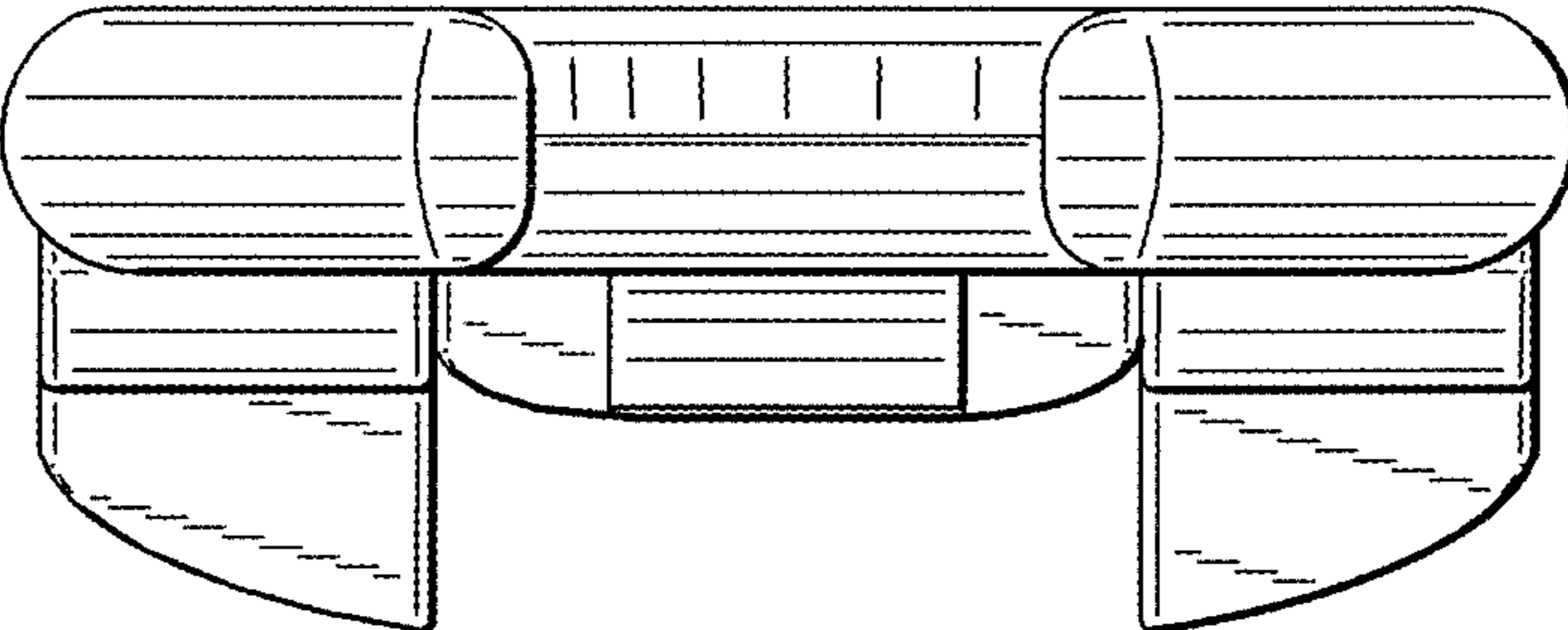


FIG. 3

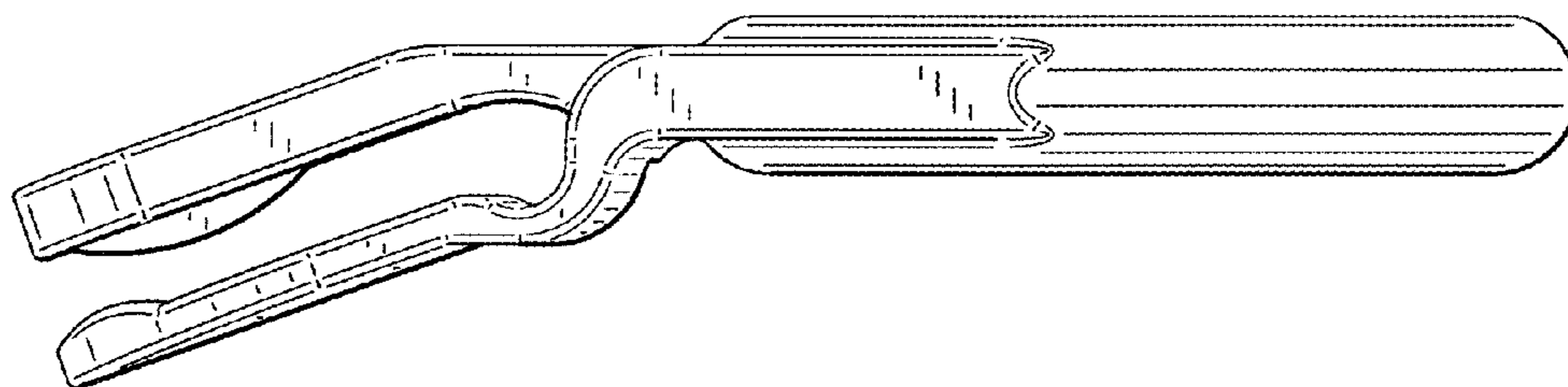


FIG. 4

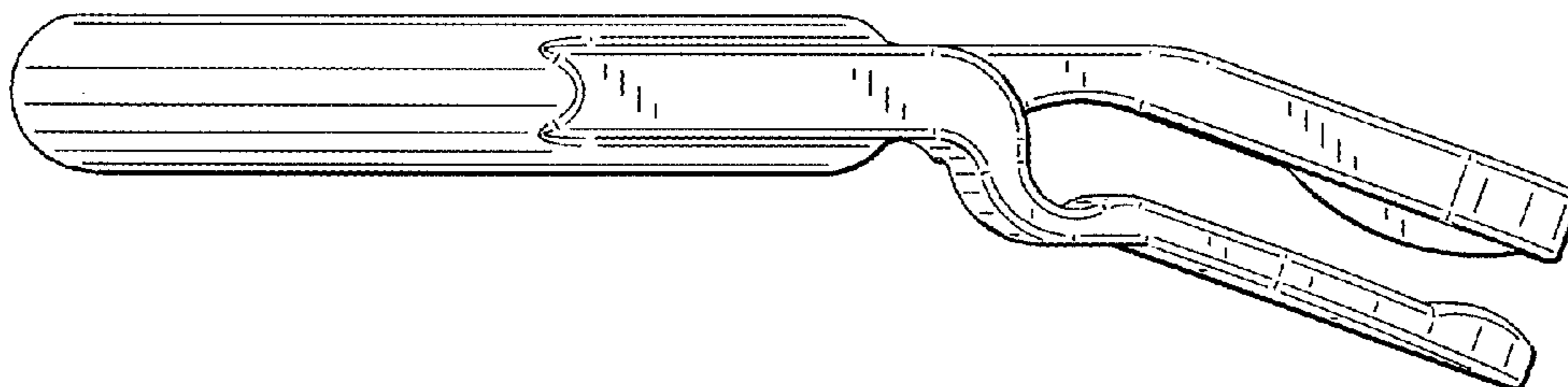


FIG. 5

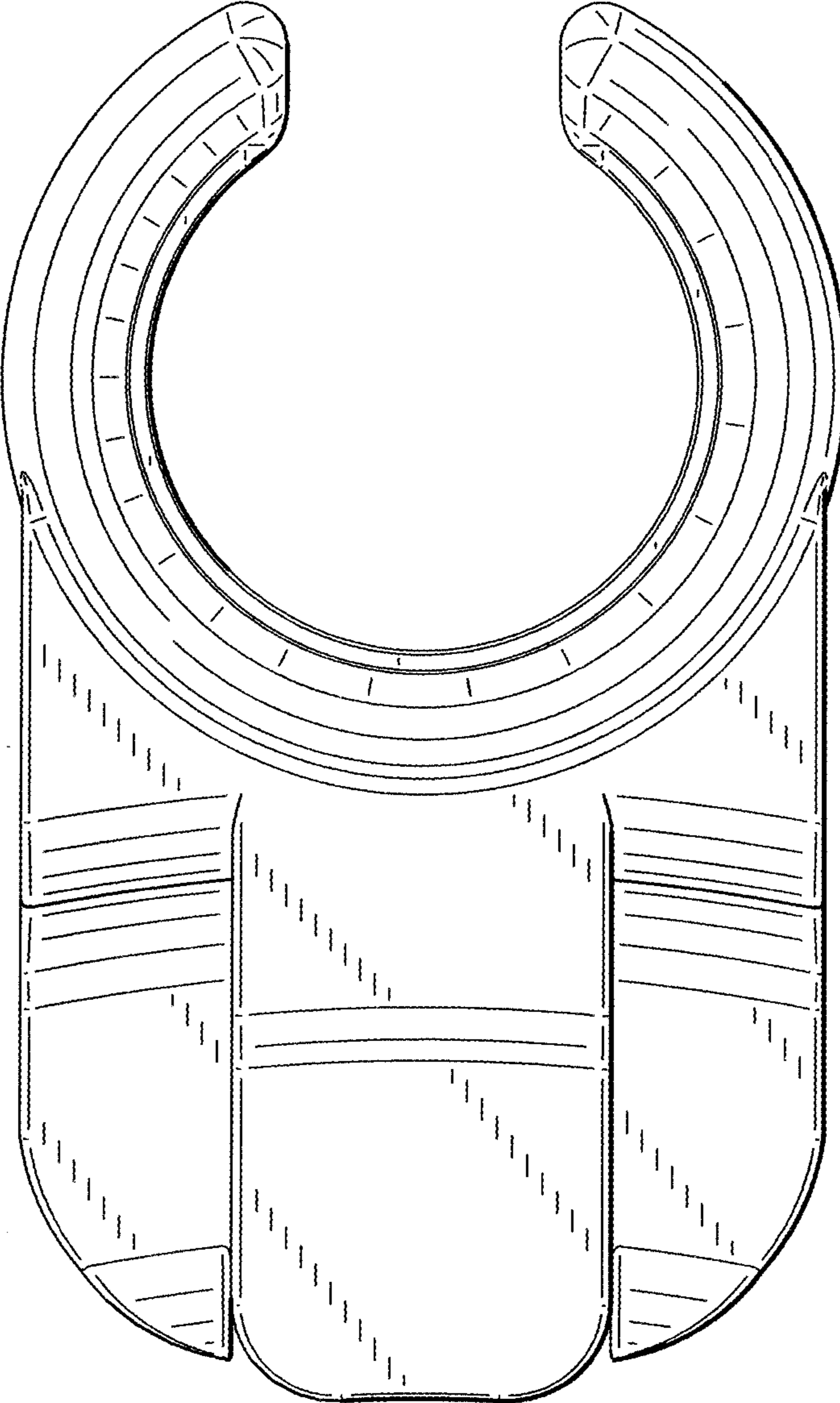


FIG. 6

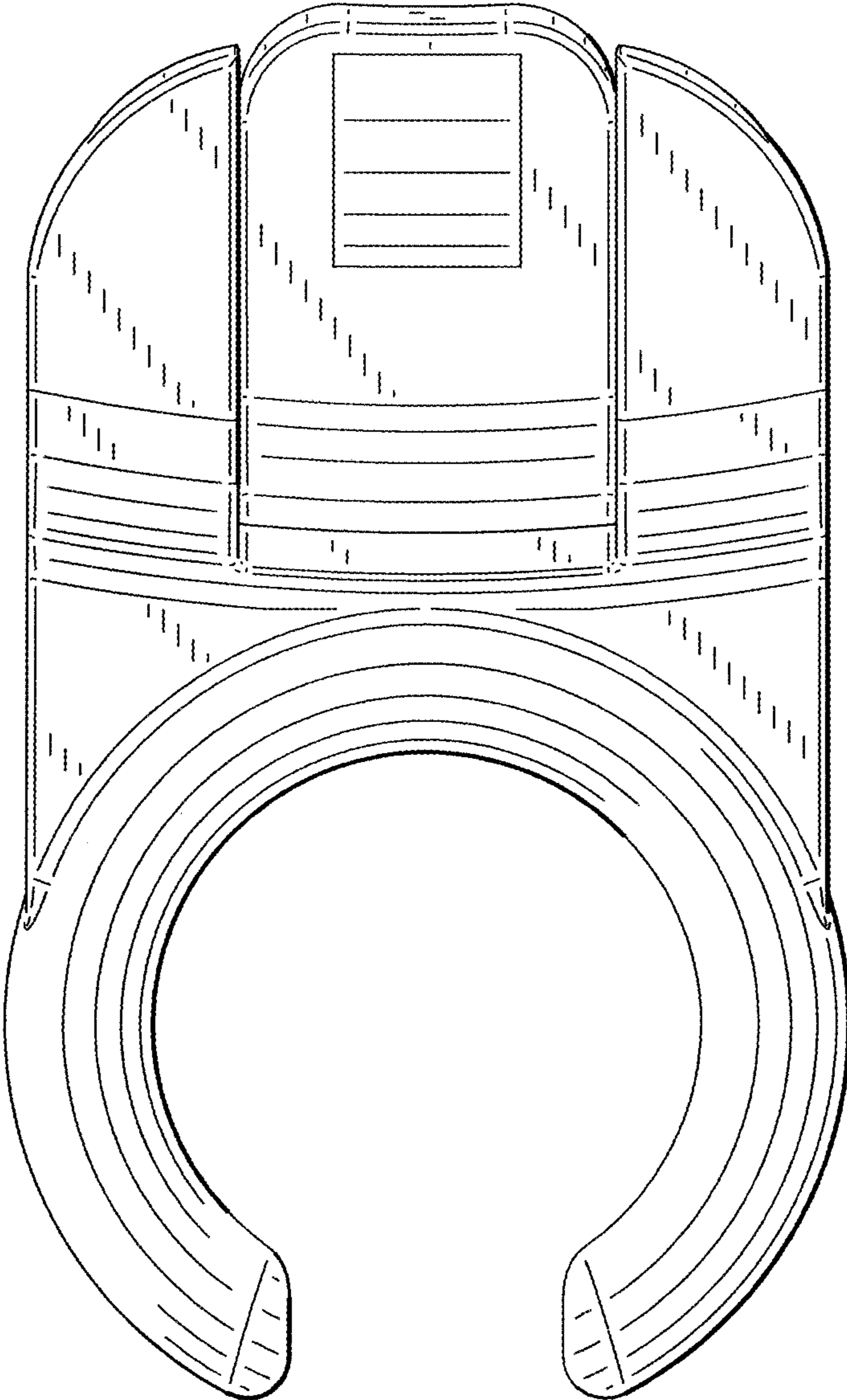


FIG. 7