



US00D775894S

(12) **United States Design Patent**
Wampold

(10) **Patent No.:** **US D775,894 S**

(45) **Date of Patent:** **** Jan. 10, 2017**

(54) **MUG**

(71) Applicant: **BIGMOUTH, INC.**, Glastonbury, CT
(US)

(72) Inventor: **Stephen Wampold**, Glastonbury, CT
(US)

(73) Assignee: **BIGMOUTH, INC.**, Glastonbury, CT
(US)

(**) Term: **15 Years**

(21) Appl. No.: **29/539,649**

(22) Filed: **Sep. 16, 2015**

(51) **LOC (10) Cl.** **07-01**

(52) **U.S. Cl.**
USPC **D7/516; D7/536**

(58) **Field of Classification Search**
USPC D7/514, 515, 516, 517, 519, 520, 536,
D7/513, 300.2, 518, 521, 510, 507, 531;
D9/607, 611, 624, 645, 680; 220/700;
D30/129
CPC A47G 19/2227; A47G 21/145; A47G
23/0208; A45D 27/14

See application file for complete search history.

(56) **References Cited**

U.S. PATENT DOCUMENTS

D215,868 S * 11/1969 Frank D7/516
D370,146 S * 5/1996 Petronio D30/129
5,614,275 A * 3/1997 Chan A47G 19/2227
220/574

D454,234 S * 3/2002 Weterrings D1/107
D591,162 S * 4/2009 Slabaugh D9/414
D626,378 S * 11/2010 Gonzalez D7/516
D626,786 S * 11/2010 Gonzalez D7/516
D627,197 S * 11/2010 Gonzalez D7/516
D682,442 S * 5/2013 Nguyen D24/224
D691,853 S * 10/2013 Gilmour D7/510
D697,687 S * 1/2014 Kerr D1/107
D719,785 S * 12/2014 Grcic D7/536
D738,680 S * 9/2015 Renforth D30/129
D741,024 S * 10/2015 Liu D30/129
D757,374 S * 5/2016 Breit D30/133
D766,094 S * 9/2016 Delgado Carmona D9/607
D770,229 S * 11/2016 Weber D7/514

* cited by examiner

Primary Examiner — Marianne Pandozzi

(74) *Attorney, Agent, or Firm* — Epstein Drangel LLP;
Robert L. Epstein

(57) **CLAIM**

The ornamental design for a mug, substantially as shown and described.

DESCRIPTION

FIG. 1 is a front, top, right perspective view of a mug showing my new design;

FIG. 2 is a front bottom left perspective view thereof;

FIG. 3 is a front elevational view thereof;

FIG. 4 is a rear elevational view thereof;

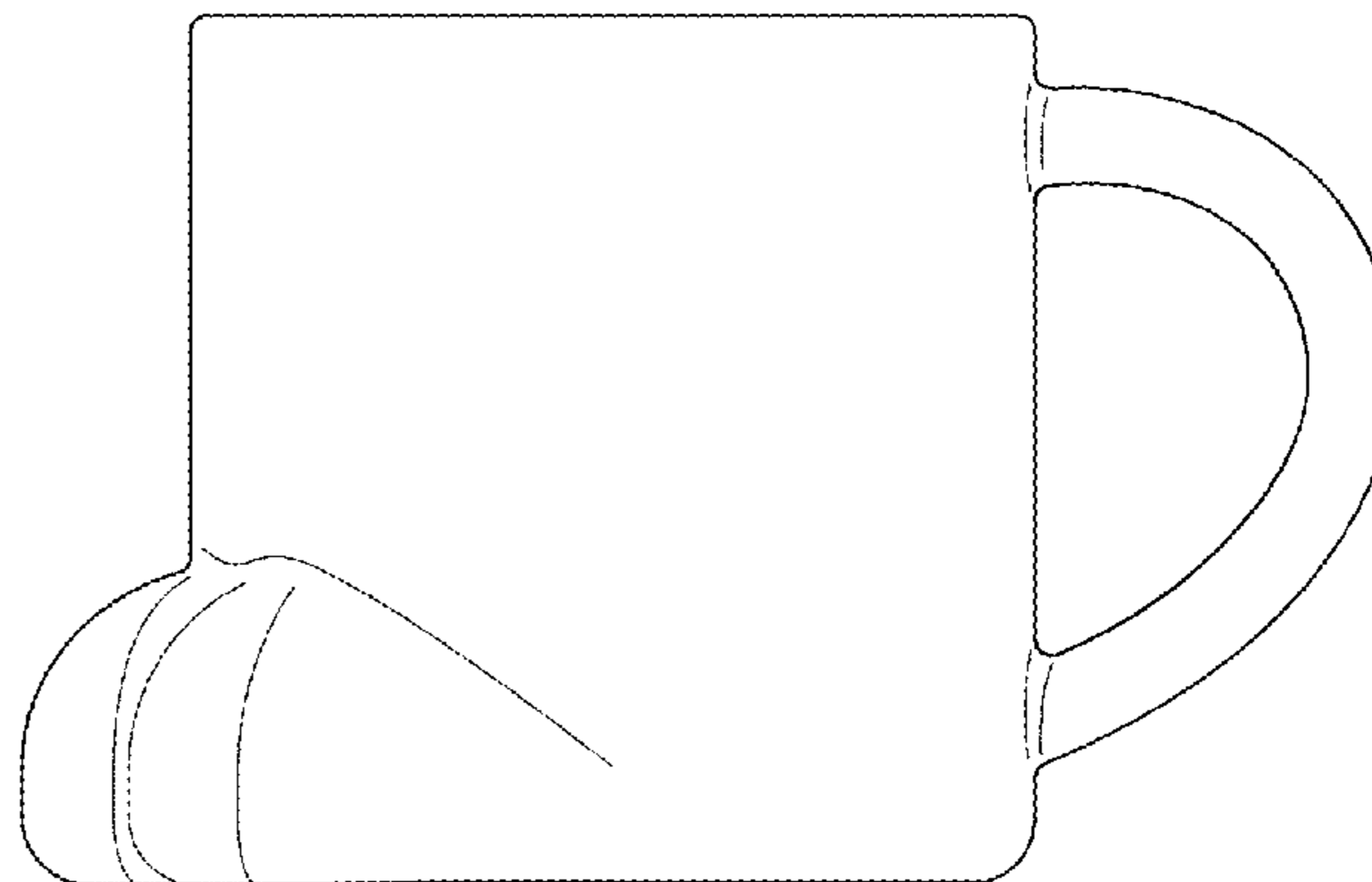
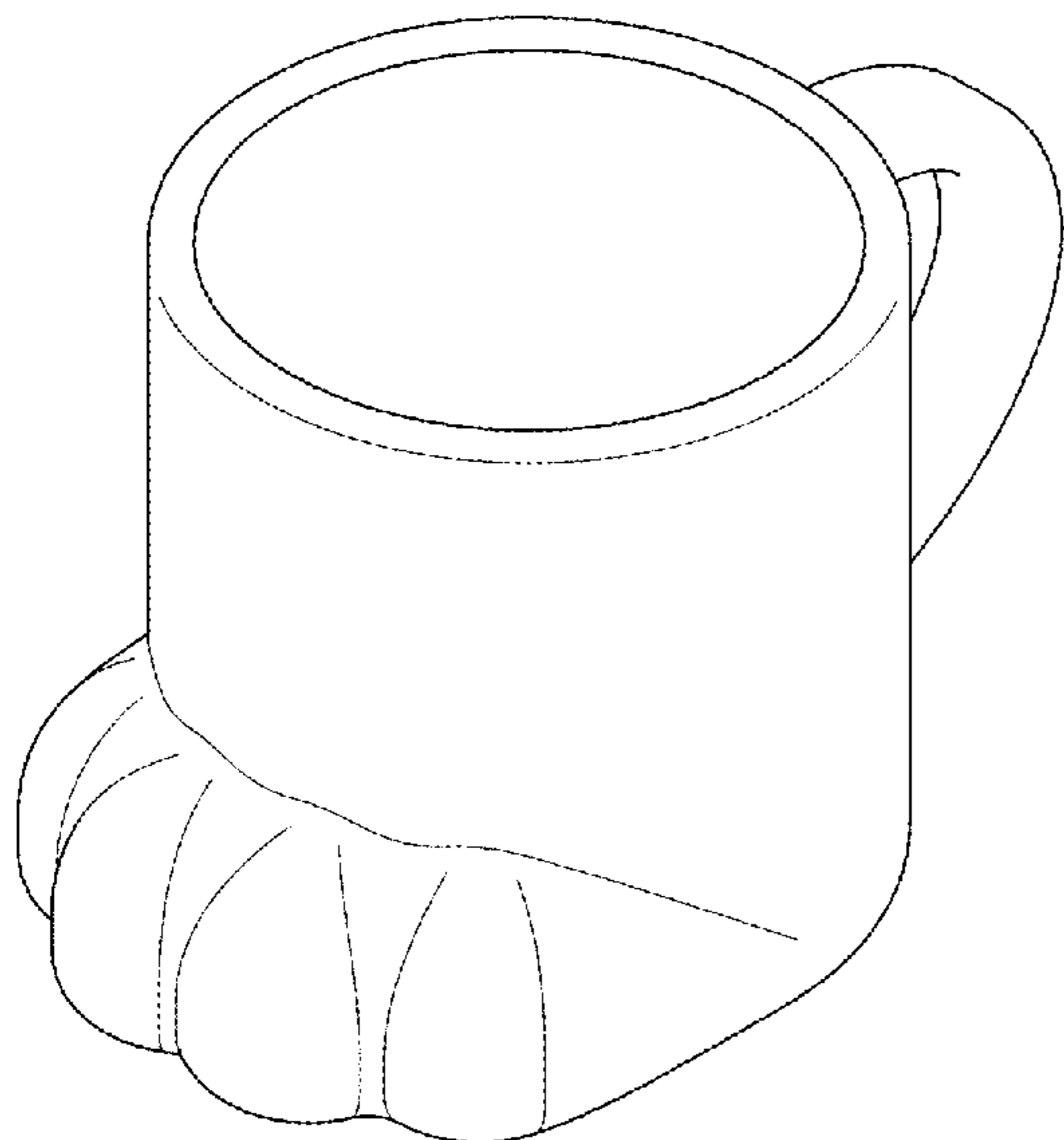
FIG. 5 is a left side elevational view thereof;

FIG. 6 is a right side elevational view thereof;

FIG. 7 is a top plan view thereof; and,

FIG. 8 is a bottom plan view thereof.

1 Claim, 3 Drawing Sheets



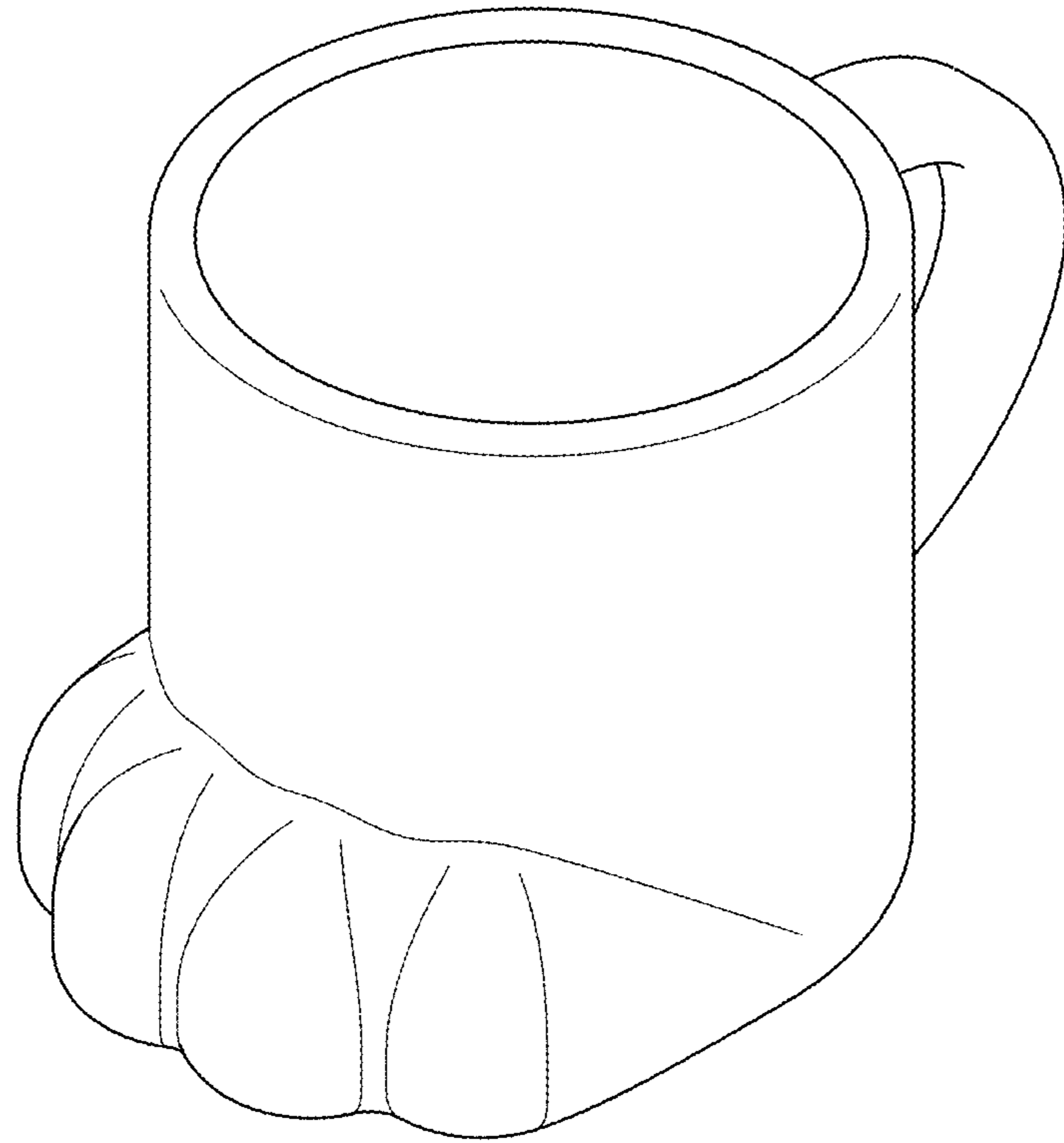


FIG. 1

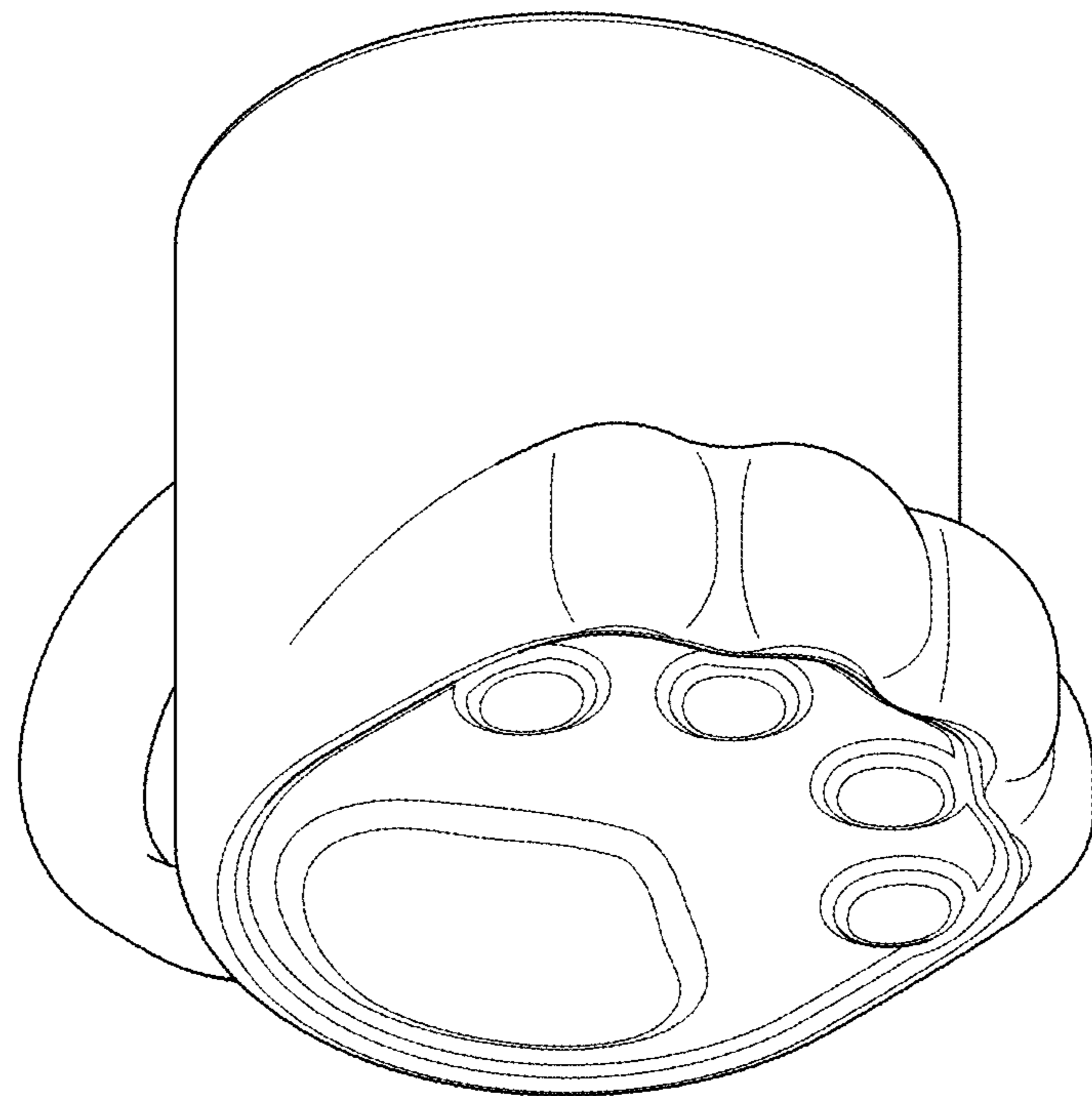


FIG. 2

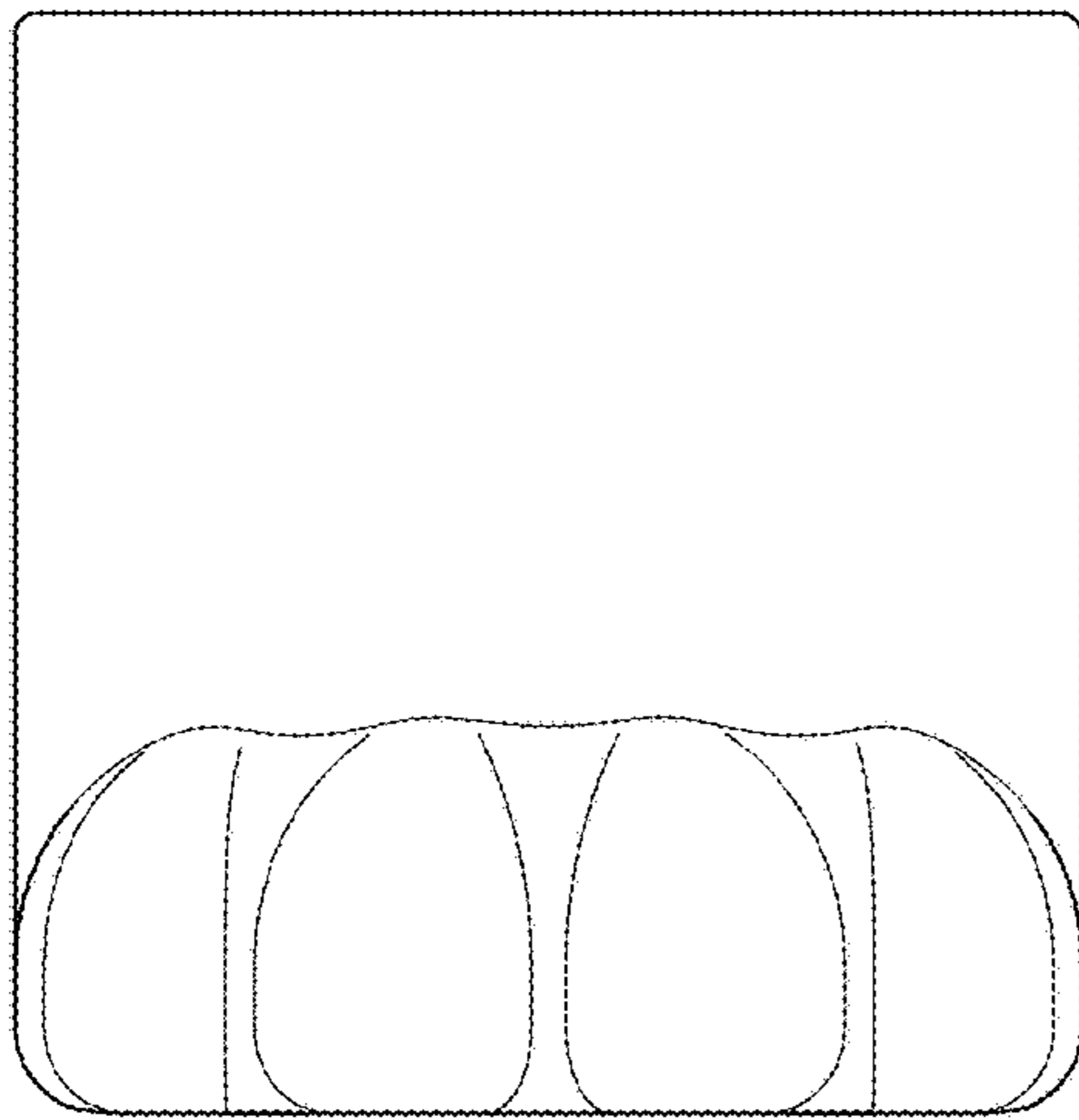


FIG. 3

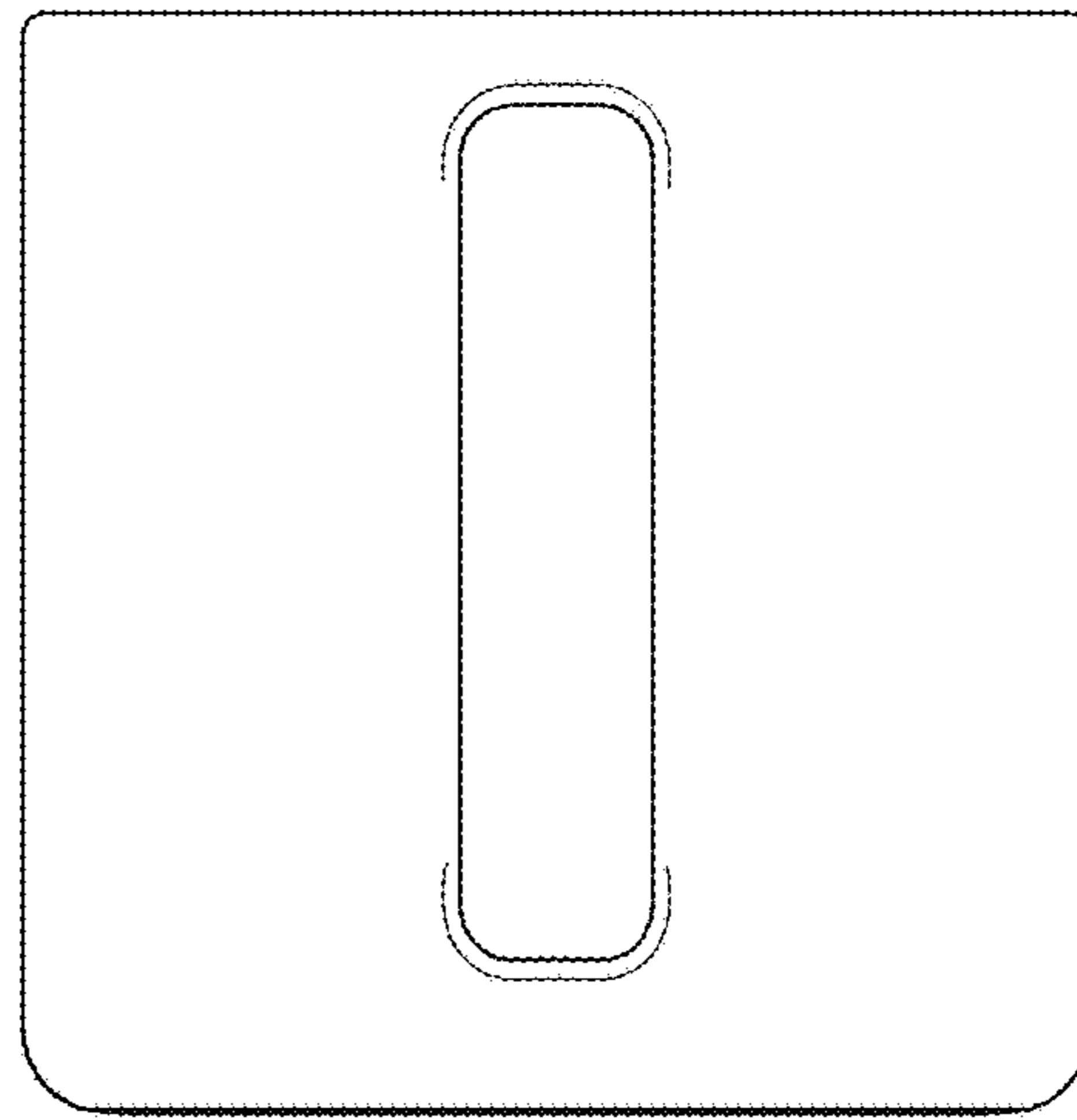


FIG. 4

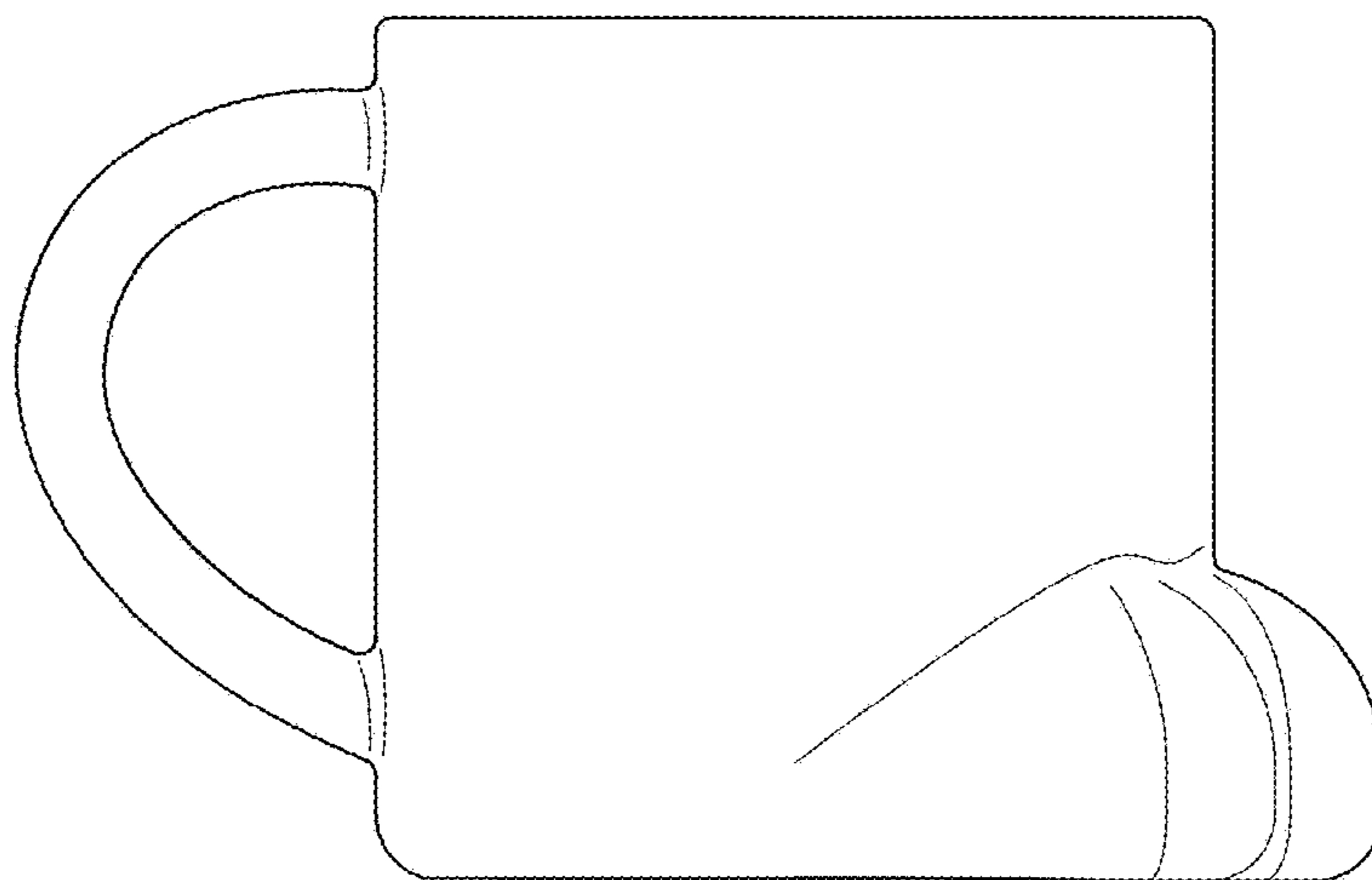


FIG. 5

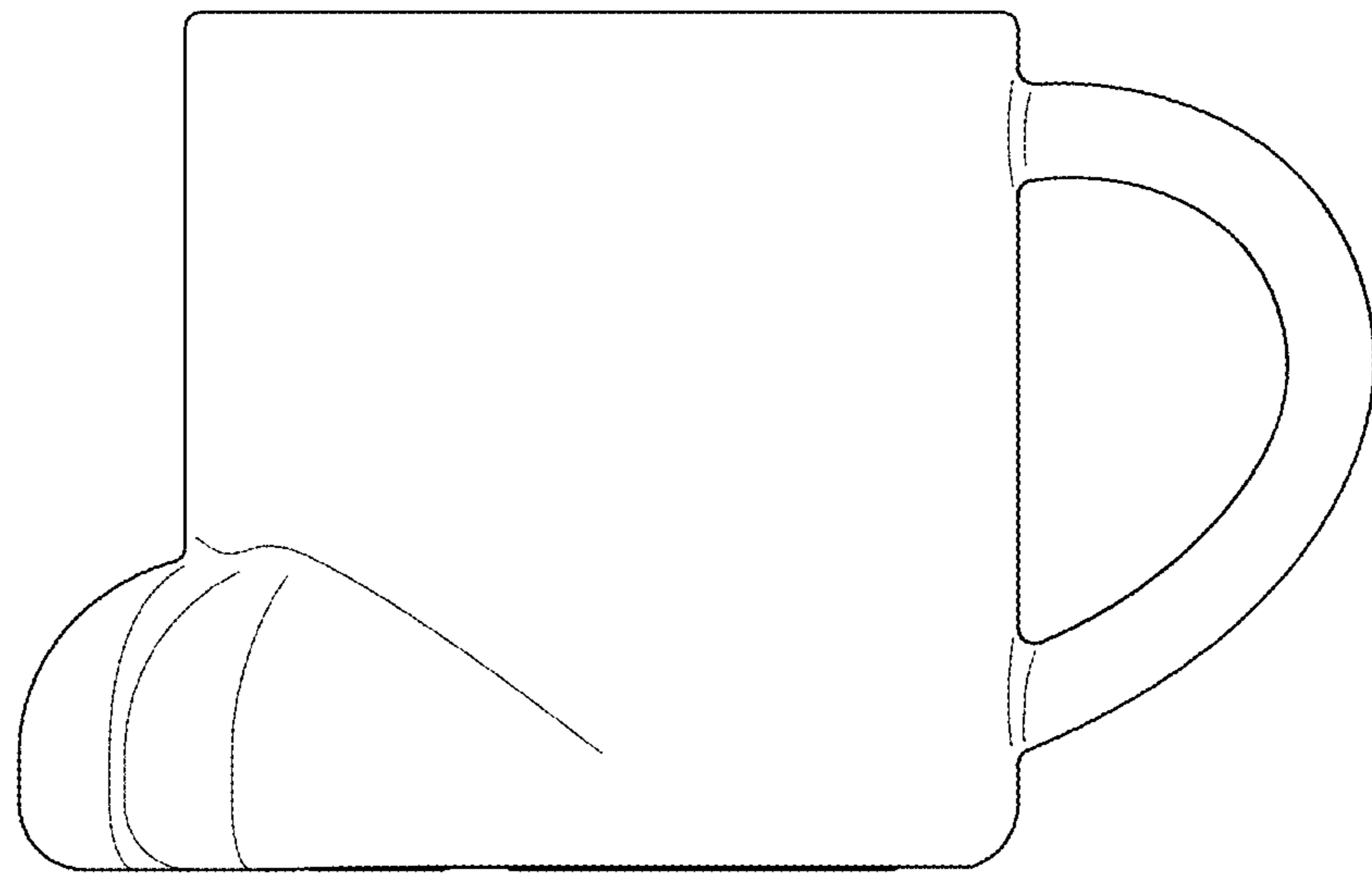


FIG. 6

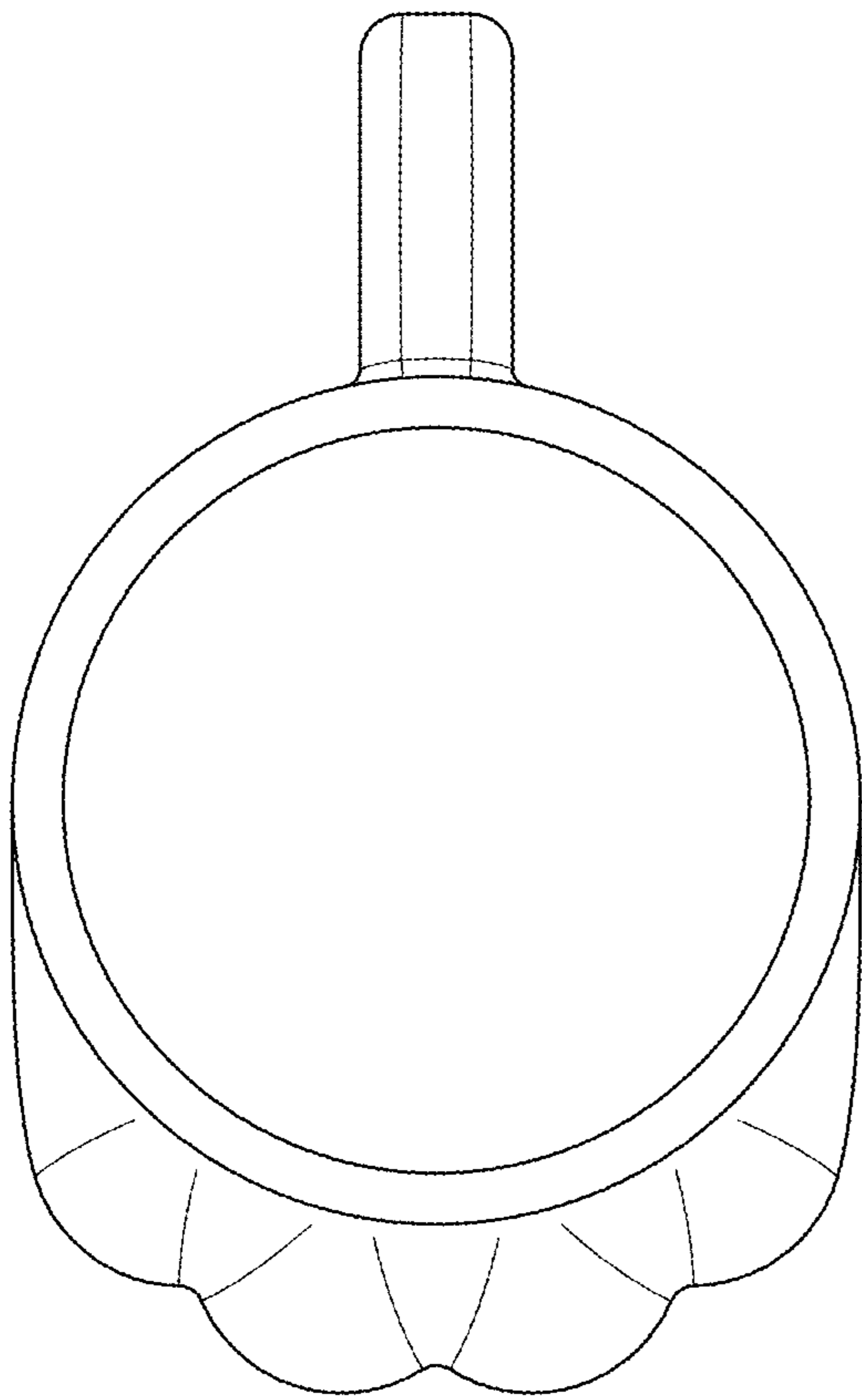


FIG. 7

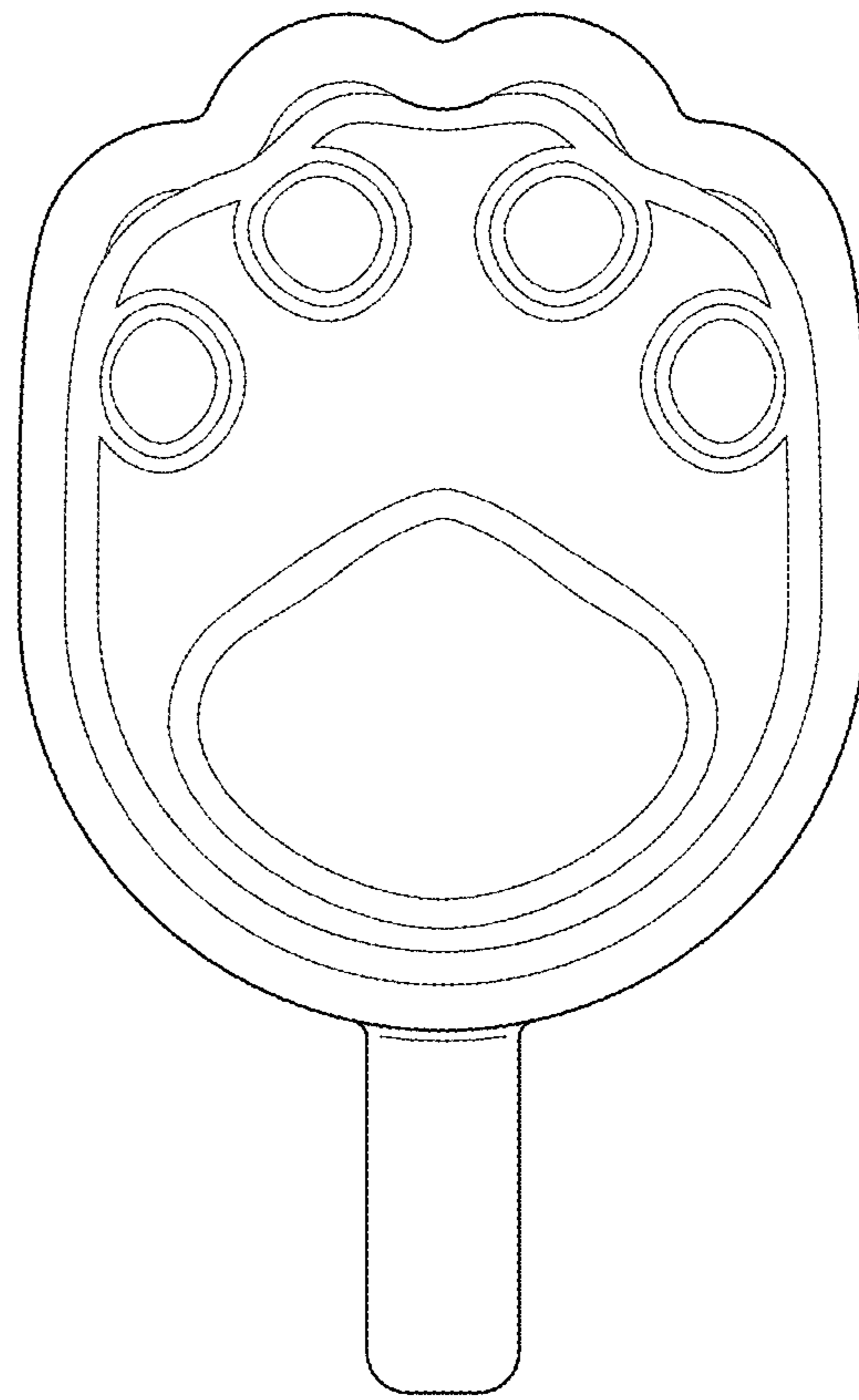


FIG. 8