



US00D775893S

(12) **United States Design Patent**  
**Buckley et al.**

(10) **Patent No.:** **US D775,893 S**  
(45) **Date of Patent:** **\*\* Jan. 10, 2017**

(54) **WATER BOTTLE**

(71) Applicant: **Inventcor, LLC**, Kirkland, WA (US)

(72) Inventors: **Michael Buckley**, Kirkland, WA (US);  
**Jan Schmitt**, Heidelberg (DE)

(73) Assignee: **Inventcor, LLC**, Kirkland, WA (US)

(\*\*) Term: **15 Years**

(21) Appl. No.: **29/534,089**

(22) Filed: **Jul. 24, 2015**

(51) **LOC (10) Cl.** ..... **07-01**

(52) **U.S. Cl.**

USPC ..... **D7/510; D7/511; D7/536**

(58) **Field of Classification Search**

USPC ..... D7/507-512, 523, 529-533, 536, 300,  
D7/300.1, 591, 608, 629, 630, 400, 624.1,  
D7/624.2, 395, 396.2, 393, 396.4, 598,  
D7/600; D9/500, 501, 502, 522, 556, 567,  
D9/569, 571, 554, 776, 763, 767, 772,  
D9/432, 429, 702, 710, 707; D8/90, 93,  
D8/321, 107; 220/592.16, 592.17, 592.12,  
220/592.14, 592.15, 62.12, 62.13, 669,  
220/751; 215/387, 18, 42; D3/201,  
D3/202, 314; D30/127; D5/53, 47, 58, 61,  
D5/2, 4

CPC .... A47G 19/22; A47G 19/2227; A47G 19/02;  
A47G 19/025; A47G 19/2288; Y10S  
220/903

See application file for complete search history.

(56) **References Cited**

**U.S. PATENT DOCUMENTS**

D326,791 S \* 6/1992 Rixen ..... D7/317  
D409,051 S \* 5/1999 Huang ..... D7/598  
D418,358 S \* 1/2000 Huang ..... D7/300  
D450,541 S \* 11/2001 Huang ..... D7/608  
6,763,969 B1 \* 7/2004 Melrose ..... B65D 1/0223  
220/669

D501,362 S \* 2/2005 Gauss ..... D7/509  
D615,816 S \* 5/2010 Joy ..... D7/507  
D616,703 S \* 6/2010 Joy ..... D7/507  
D621,648 S \* 8/2010 Lown ..... D7/300.1  
D648,984 S \* 11/2011 Gullickson ..... D7/510  
D651,044 S \* 12/2011 Gilbert ..... D7/510  
D700,808 S \* 3/2014 Eyal ..... D7/510  
D724,894 S \* 3/2015 Brosius ..... D7/510  
D726,504 S \* 4/2015 Ke ..... D7/523  
D727,104 S \* 4/2015 Ke ..... D7/523  
D727,105 S \* 4/2015 Ke ..... D7/523  
2004/0188371 A1 \* 9/2004 Holley, Jr. .... A61J 9/001  
215/11.1  
2008/0087624 A1 \* 4/2008 Buckley ..... A47G 23/16  
215/230  
2009/0057257 A1 \* 3/2009 Marcus ..... A61J 9/08  
215/11.6  
2012/0305578 A1 \* 12/2012 Lipson ..... B29C 47/0023  
220/675

\* cited by examiner

*Primary Examiner* — Marianne Pandozzi

*Assistant Examiner* — Jae Liang

(74) *Attorney, Agent, or Firm* — DWC Law Firm, P.S.;  
David Chen

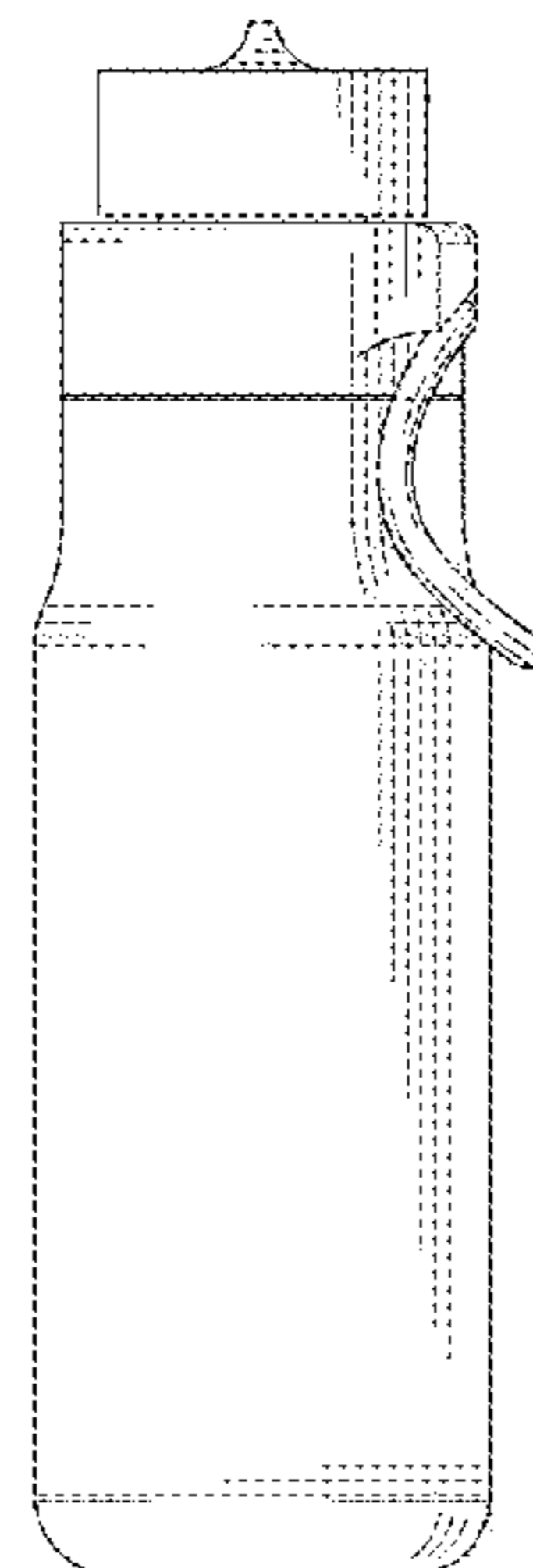
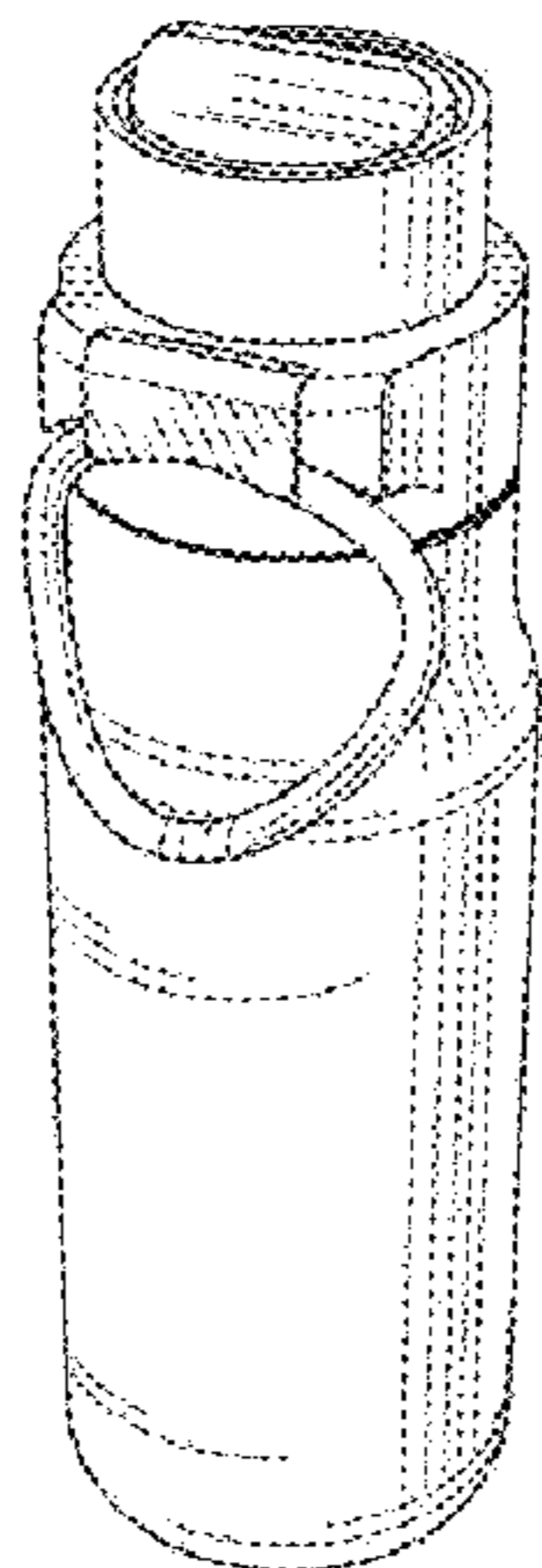
(57) **CLAIM**

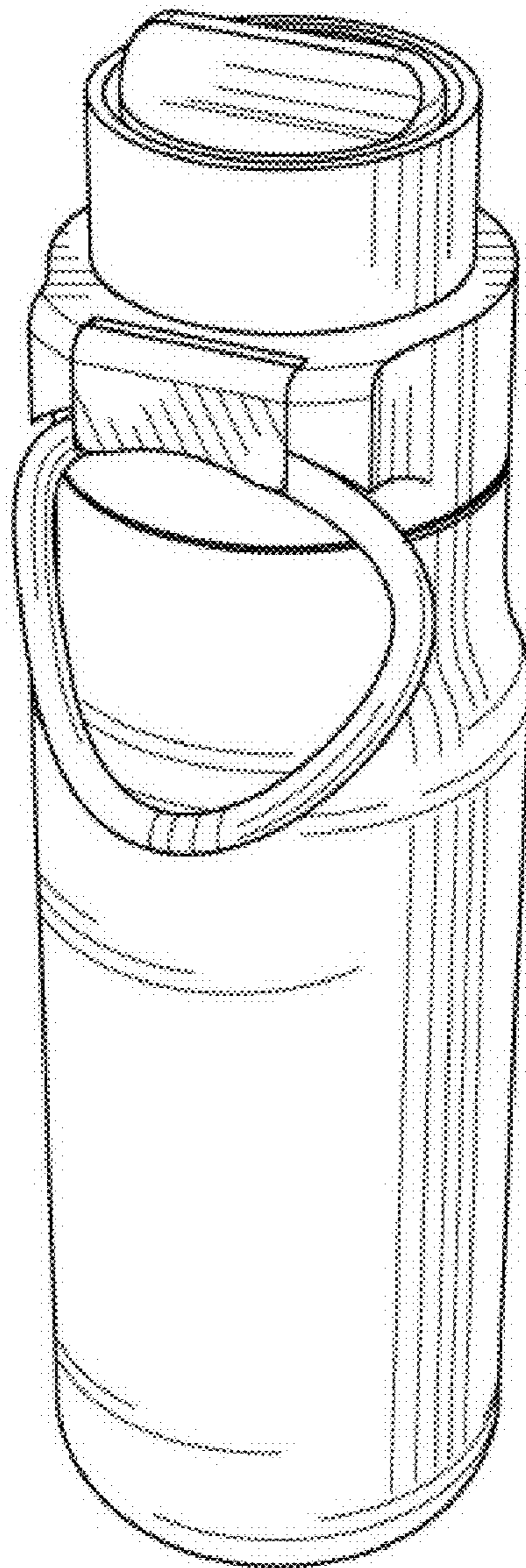
The ornamental design for a water bottle, as shown and described.

**DESCRIPTION**

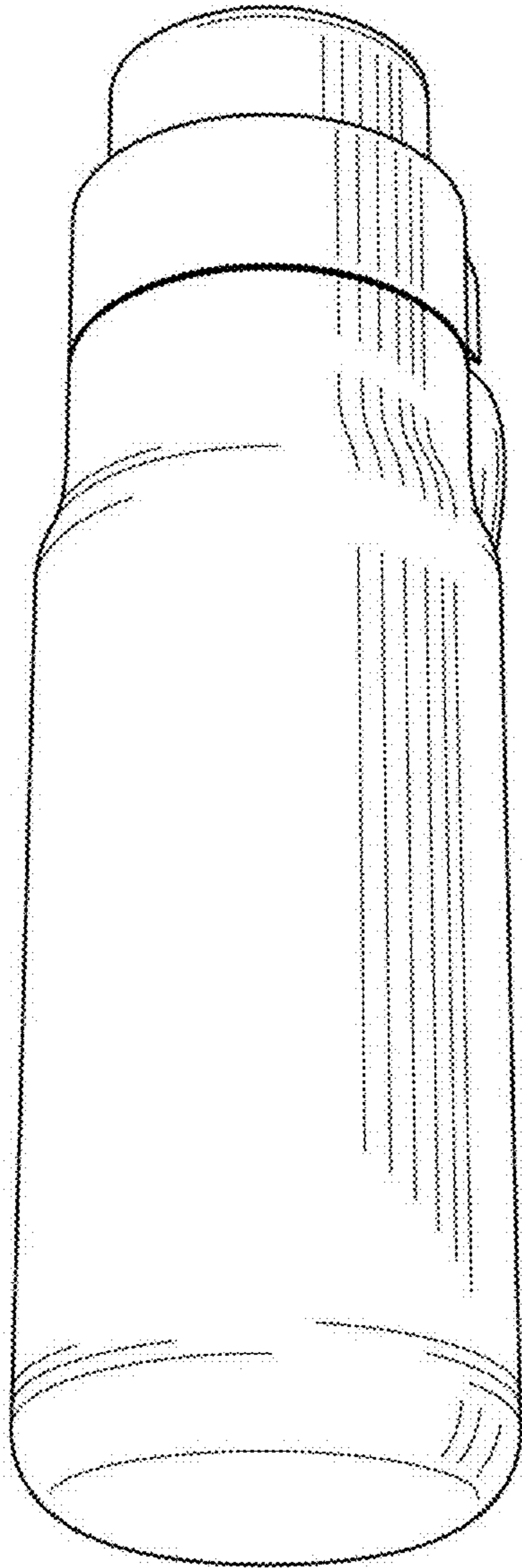
FIG. 1 is a top perspective view of a water bottle showing our new design;  
FIG. 2 is a bottom perspective view thereof;  
FIG. 3 is a front elevational view thereof;  
FIG. 4 is a rear elevational view thereof;  
FIG. 5 is a left side elevational view thereof;  
FIG. 6 is a right side elevational view thereof;  
FIG. 7 is a top plan view thereof; and,  
FIG. 8 is a bottom plan view thereof.

**1 Claim, 8 Drawing Sheets**





*FIG. 1*



*FIG. 2*

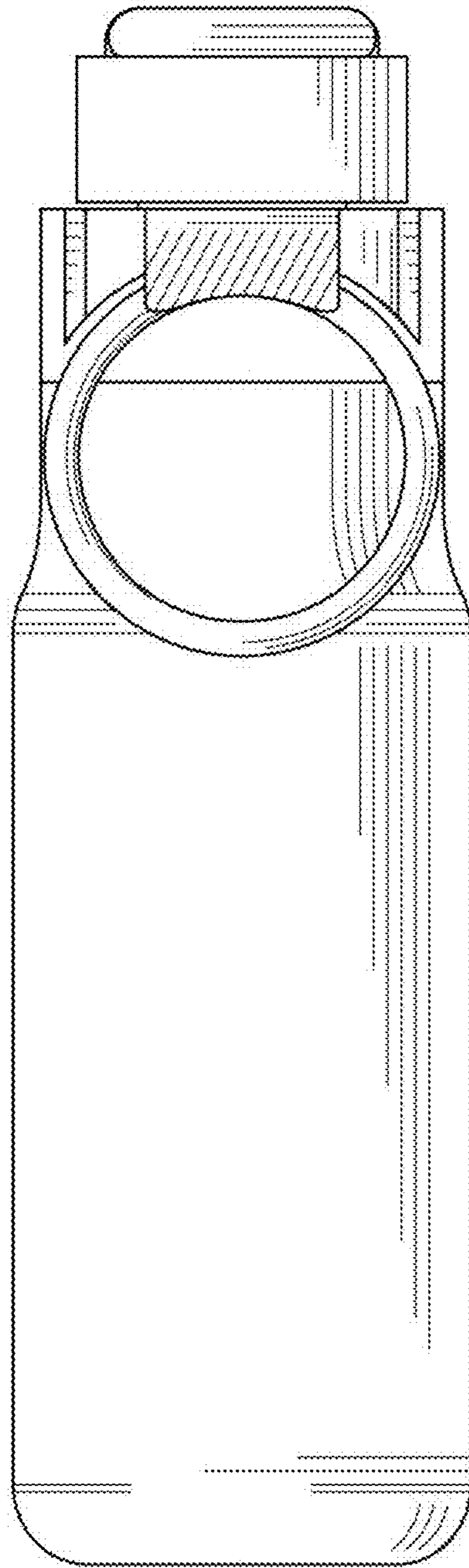
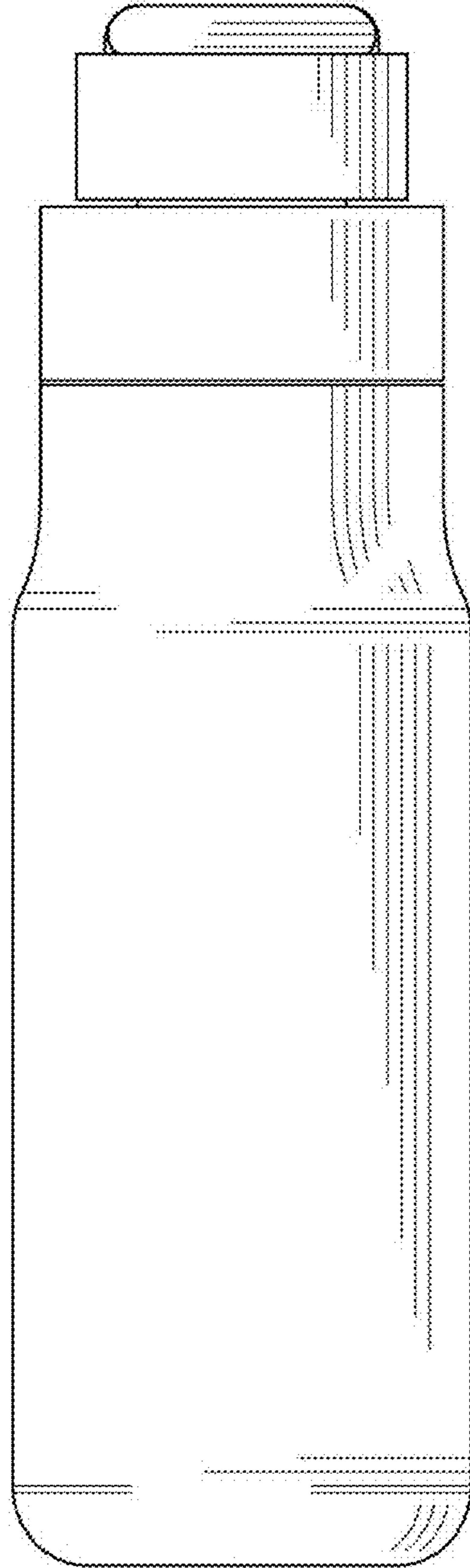


FIG. 3



*FIG. 4*



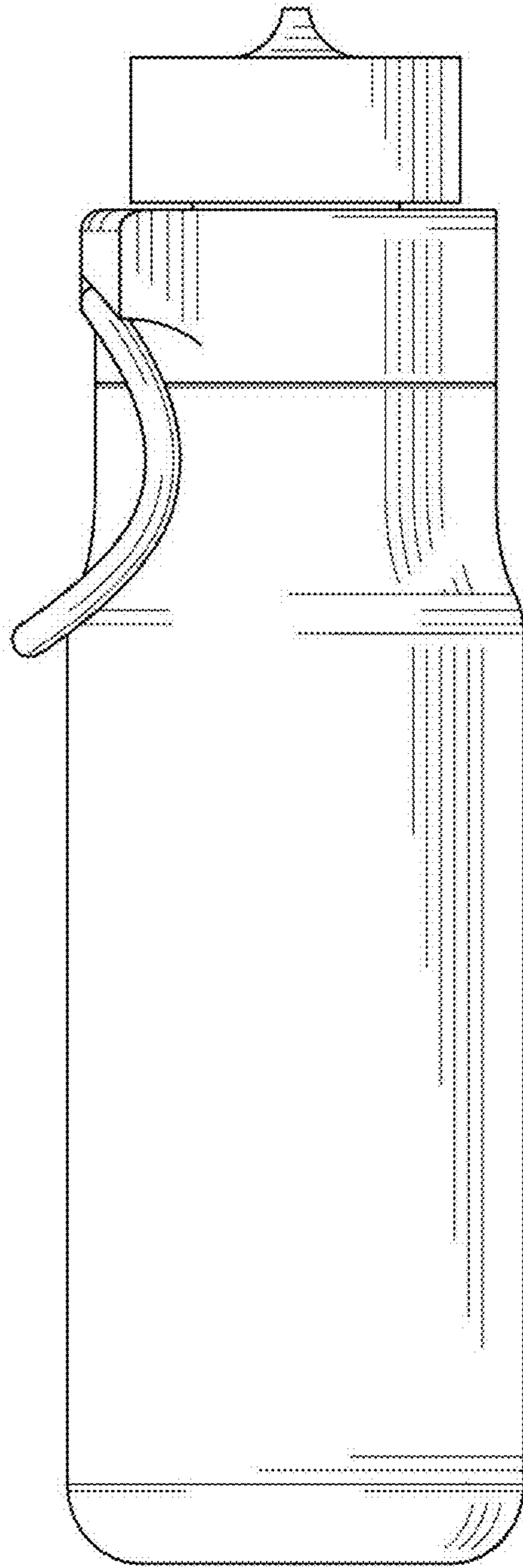


FIG. 5

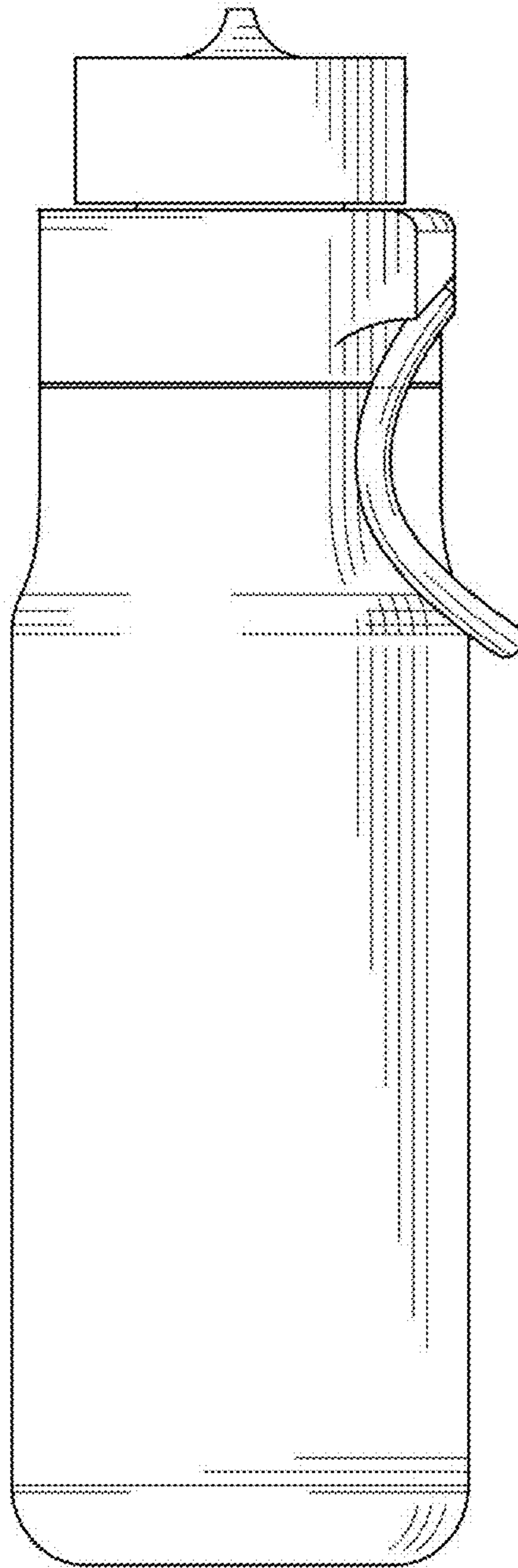
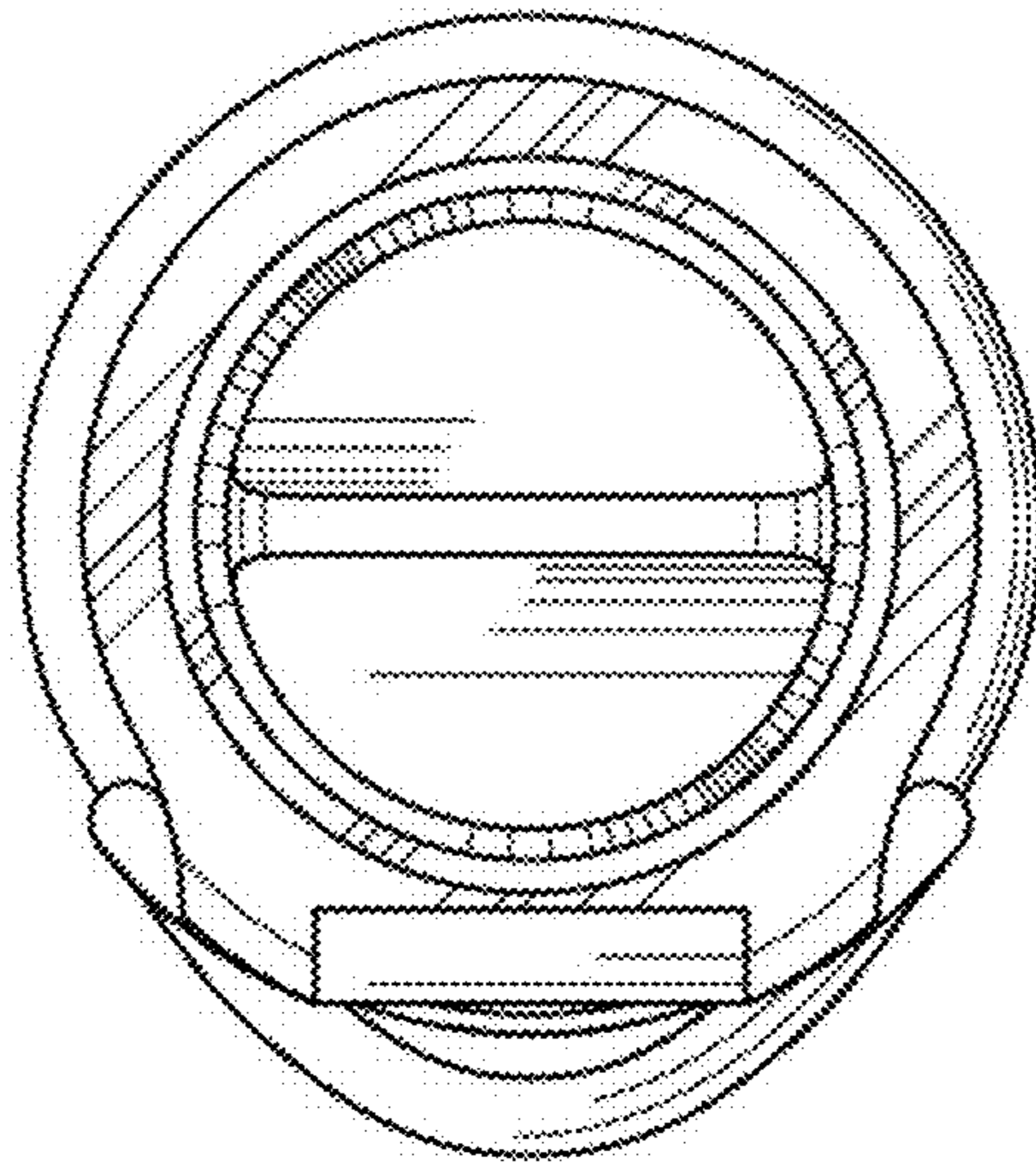
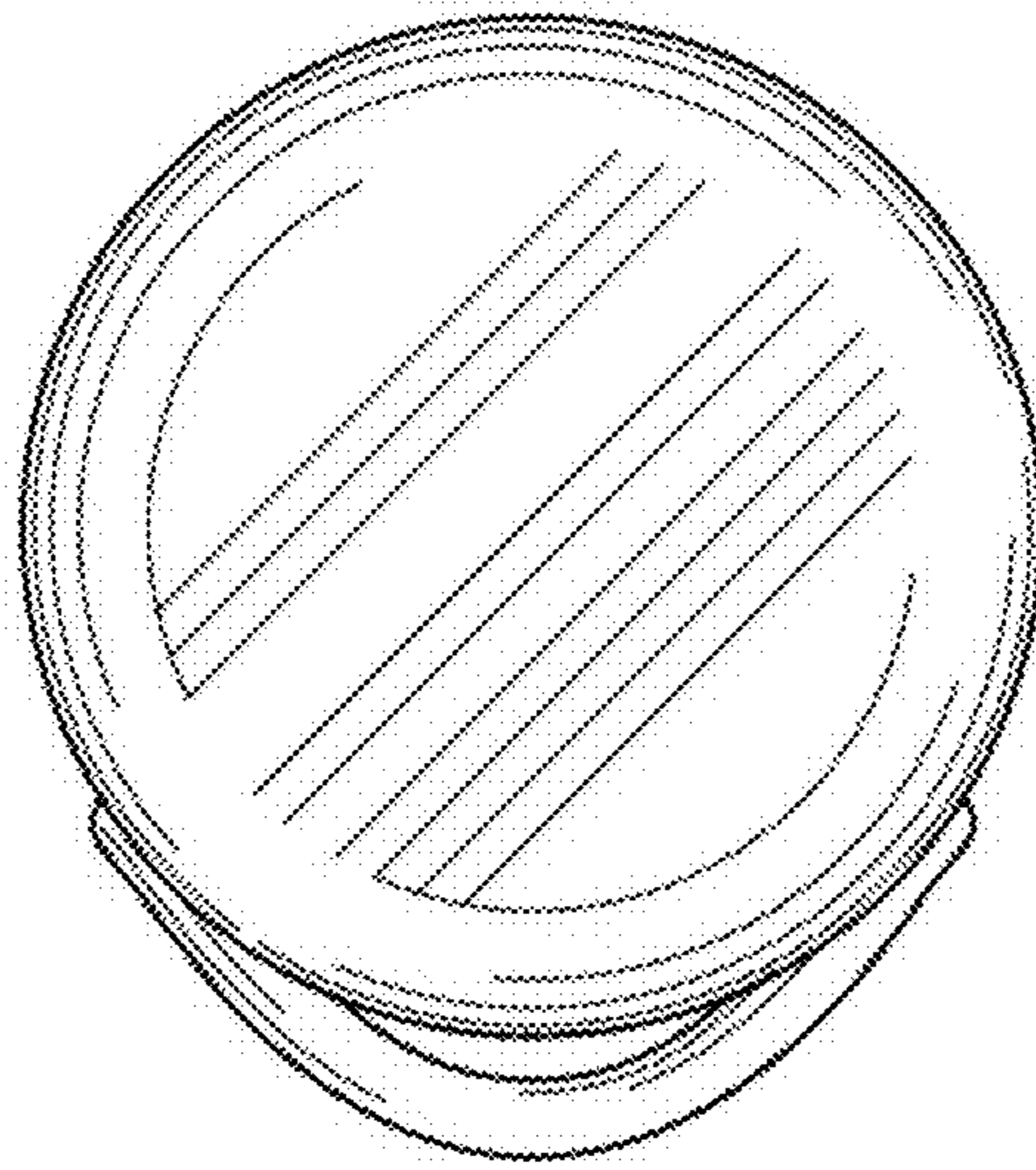


FIG. 6



*FIG. 7*





*FIG. 8*