



US00D775892S

(12) **United States Design Patent**
Smith

(10) **Patent No.:** **US D775,892 S**
(45) **Date of Patent:** **** Jan. 10, 2017**

(54) **BLENDER CONTAINER**

(71) Applicant: **SharkNinja Operating LLC**, Newton, MA (US)

(72) Inventor: **Cory Smith**, Auburndale, MA (US)

(73) Assignee: **SHARKNINJA OPERATING LLC**, Newton, MA (US)

(**) Term: **15 Years**

(21) Appl. No.: **29/527,273**

(22) Filed: **May 18, 2015**

Related U.S. Application Data

(63) Continuation of application No. 29/484,128, filed on Mar. 6, 2014, now Pat. No. Des. 734,988.

(51) **LOC (10) Cl.** **31-00**

(52) **U.S. Cl.**
USPC **D7/413**; D7/376; D7/378

(58) **Field of Classification Search**
USPC D7/300.1, 372, 376-386, 412-413, 510,
D7/602, 629, 665-666, 669, 679,
693-694

(Continued)

(56) **References Cited**

U.S. PATENT DOCUMENTS

D181,541 S 11/1957 Madl et al.
D185,780 S 8/1959 Tupper

(Continued)

FOREIGN PATENT DOCUMENTS

DK MA 0260 1955 8/1995
DK MA02601955 8/1995
KR 0233885 S 3/1999

OTHER PUBLICATIONS

U.S. Appl. No. 29/484,128, filed Mar. 6, 2014, Smith.

(Continued)

Primary Examiner — Ricky Pham

(74) *Attorney, Agent, or Firm* — Cantor Colburn LLP

(57) **CLAIM**

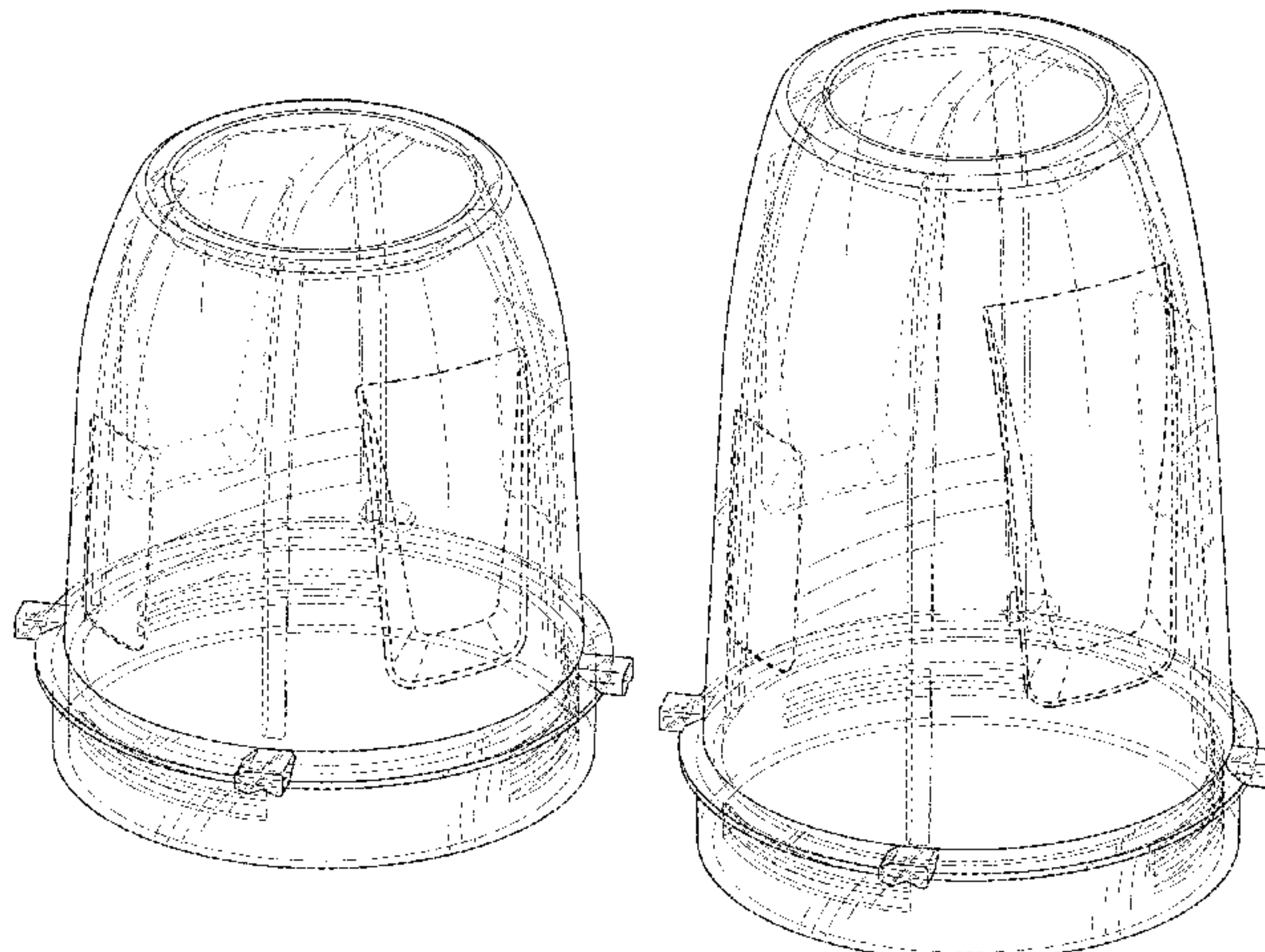
The ornamental design for a blender container, as shown and described.

DESCRIPTION

FIG. 1 is a top, front, left side perspective view of a first embodiment of a blender container showing my new design; FIG. 2 is a front elevational view thereof; FIG. 3 is a rear elevational view thereof; FIG. 4 is a left side elevational view thereof; FIG. 5 is a right side elevational view thereof; FIG. 6 is a top plan view thereof; FIG. 7 is a bottom plan view thereof; FIG. 8 is a top, front, left side perspective view of a second embodiment thereof; FIG. 9 is a front elevational view of FIG. 8; FIG. 10 is a rear elevational view of FIG. 8; FIG. 11 is a left side elevational view of FIG. 8; FIG. 12 is a right side elevational view of FIG. 8; FIG. 13 is a top plan view of FIG. 8; FIG. 14 is a bottom plan view of FIG. 8; FIG. 15 is a top, front, left side perspective view of a third embodiment thereof; FIG. 16 is a front elevational view of FIG. 15; FIG. 17 is a rear elevational view of FIG. 15; FIG. 18 is a left side elevational view of FIG. 15; FIG. 19 is a right side elevational view of FIG. 15; FIG. 20 is a top plan view of FIG. 15; FIG. 21 is a bottom plan view of FIG. 15; FIG. 22 is a top, front, left side perspective view of a fourth embodiment thereof; FIG. 23 is a front elevational view of FIG. 22; FIG. 24 is a rear elevational view of FIG. 22; FIG. 25 is a left side elevational view of FIG. 22; FIG. 26 is a right side elevational view of FIG. 22; FIG. 27 is a top plan view of FIG. 22; and, FIG. 28 is a bottom plan view of FIG. 22.

The broken lines in the figures illustrate portions of the blender container that form no part of the claimed design.

(Continued)



The dash-dot-dash broken lines in the figures define boundaries of the claimed design and form no part of the claimed design.

1 Claim, 28 Drawing Sheets

(58) **Field of Classification Search**

CPC A21C 1/02; A21C 1/04; A23N 1/00; A23N 1/02; A47G 19/22; A47J 43/04; A47J 43/25; A47J 43/27; A47J 43/042; A47J 43/044; A47J 43/046; A47J 43/075; A47J 43/0722; A47J 43/0727; B01F 3/00; B01F 3/0807; B01F 3/0853; B01F 13/0059; B01F 13/0064; B02C 1/08; B02C 2/04; B02C 4/42; B02C 4/142; B02C 4/143; B02C 4/423; B02C 13/1835; B28C 5/10; B28C 5/12; B28C 5/14; B28C 5/16; B65D 1/46

See application file for complete search history.

(56) **References Cited**

U.S. PATENT DOCUMENTS

D214,227 S	5/1969	Madl et al.	
3,820,692 A	6/1974	Smith et al.	
D241,404 S *	9/1976	Mantelet	D7/384
D278,963 S	5/1985	Dair et al.	
D301,824 S	6/1989	Machuron	
D305,503 S	1/1990	Bormioli	
D349,423 S	8/1994	Burgel	
D400,757 S	11/1998	Hippen et al.	
D406,154 S	2/1999	Copland et al.	
D416,443 S	11/1999	Kilpatrick et al.	
D417,589 S	12/1999	Parker	
D417,591 S	12/1999	Roehrig	
6,029,568 A	2/2000	Pascotti et al.	
D426,423 S	6/2000	Lee	
D428,768 S	8/2000	Betras	
D431,469 S	10/2000	Solland et al.	
D432,865 S	10/2000	Cohen	
D438,430 S	3/2001	Gabrhel	
D444,344 S	7/2001	Barthelemy et al.	
D459,947 S	7/2002	Cheng	
D462,236 S	9/2002	Hurlbut	
D466,362 S	12/2002	Moore	
D471,064 S	3/2003	Renz	
D475,582 S	6/2003	To	
D478,779 S	8/2003	Stamper, III et al.	
D479,949 S	9/2003	Janky	
D480,601 S	10/2003	Pettaweebuncha	
D487,668 S	3/2004	Sands	
D488,672 S	4/2004	Oas	
D490,272 S	5/2004	Rohe	
D498,642 S	11/2004	Huang	
D501,756 S *	2/2005	Nikkhah	D7/413
D501,759 S	2/2005	Sands	
D507,721 S	7/2005	Schuler	
D510,678 S	10/2005	Krasne et al.	
D514,884 S *	2/2006	Smith	D7/509
D517,862 S	3/2006	Sands	
D518,994 S *	4/2006	Lin	D7/378
D521,802 S	5/2006	Sands	
7,044,051 B2	5/2006	Le Rouzic	
D522,304 S	6/2006	Huang	
D528,364 S	9/2006	Kolar et al.	
D536,216 S	2/2007	Sands	
D537,677 S	3/2007	Bresler	
D540,124 S	4/2007	Ross	
D540,979 S	4/2007	Chen	
D547,610 S	7/2007	Edelstein et al.	
D548,008 S	8/2007	Lin	

D549,043 S *	8/2007	Beesley	D7/374
D553,435 S	10/2007	de Groote	
D553,904 S	10/2007	Romandy	
D554,427 S	11/2007	Sands	
D565,353 S	4/2008	Roth et al.	
D580,227 S	11/2008	Roth et al.	
D580,986 S	11/2008	Farnworth et al.	
D587,969 S	3/2009	Gilbert	
D617,136 S	6/2010	Bock et al.	
D621,206 S	8/2010	Matta et al.	
D625,141 S	10/2010	Moore	
D631,293 S	1/2011	Ross	
D632,133 S	2/2011	Giraud et al.	
D632,918 S	2/2011	Gordon	
D638,665 S	5/2011	Wu	
D644,065 S	8/2011	Llerena	
D644,478 S	9/2011	Czach	
D654,305 S	2/2012	Gursel et al.	
D655,133 S	3/2012	Brinckerhoff et al.	
D658,014 S *	4/2012	Miga, Jr.	D7/629
D661,547 S	6/2012	Brinckerhoff et al.	
D672,618 S *	12/2012	Stamper	D7/602
D682,606 S	5/2013	Machovina et al.	
D683,590 S *	6/2013	Austin	D7/510
D696,063 S	12/2013	Coakley et al.	
D697,798 S	1/2014	Sorensen et al.	
D698,210 S	1/2014	Lavy et al.	
D699,996 S	2/2014	De Leo	
D702,999 S	4/2014	Audette et al.	
D705,606 S	5/2014	Coakley et al.	
D708,903 S	7/2014	Wong	
D712,196 S *	9/2014	Ho	D7/378
D723,332 S *	3/2015	Steel	D7/510
D730,694 S *	6/2015	Elsaden	D7/511
D734,988 S *	7/2015	Smith	D7/376
D735,530 S *	8/2015	Smith	D7/376
D737,629 S *	9/2015	Sands	D7/376
D739,674 S *	9/2015	Bergstrom	D7/300.1
D744,279 S *	12/2015	Arciero	D7/510
D751,344 S *	3/2016	Charlton	D7/300.1
D752,390 S *	3/2016	Ksiazek	D7/300.1
D754,480 S *	4/2016	Chen	D7/509
D754,483 S *	4/2016	Elsaden	D7/531
D757,496 S *	5/2016	Julier	D7/510
D758,127 S *	6/2016	Zhao	D7/392.1
D760,026 S *	6/2016	Smith	D7/376
2004/0066705 A1	4/2004	Linz et al.	
2005/0047272 A1	3/2005	Sands	
2005/0061821 A1 *	3/2005	Smith	B65D 1/46 220/675
2010/0058940 A1	3/2010	Rivera	
2011/0220674 A1 *	9/2011	Honeyghan	A47G 19/22 220/849

OTHER PUBLICATIONS

U.S. Appl. No. 29/484,129, filed Mar. 6, 2014, Smith.
 Notice of Allowance; Design U.S. Appl. No. 29/484,128, filed Mar. 6, 2014; Blender Container; Date Mailed: Mar. 27, 2015; 7 Pages.
 Notice of Allowance; Design U.S. Appl. No. 29/484,129, filed Mar. 6, 2014; Blender Container; Date Mailed: Arp. 3, 2015; 6 Pages.
 Notice of Allowance; Design U.S. Appl. No. 29/518,186, filed Feb. 20, 2015; Blender Container; Date Mailed: Oct. 7, 2015; 7 Pages.
 Requirement for Restriction/Election; Design U.S. Appl. No. 29/518,186, filed Feb. 20, 2015; Blender Container; Date Mailed: Sep. 4, 2015; 6 Pages.
 Sunbeam Kitchen Assistant—Model: 2774; Supplied by Japanese Patent Office Action Jan. 5, 2015; URL: <http://www.sunbeam.com/productdetail.aspx?section=kitchen&cid=1684&pid=4936>; 2 Pages.
 Supplemental Notice of Allowance; Design U.S. Appl. No. 29/518,186, filed Feb. 20, 2015; Blender Container; Date Mailed: Apr. 27, 2016; 5 Pages.

* cited by examiner

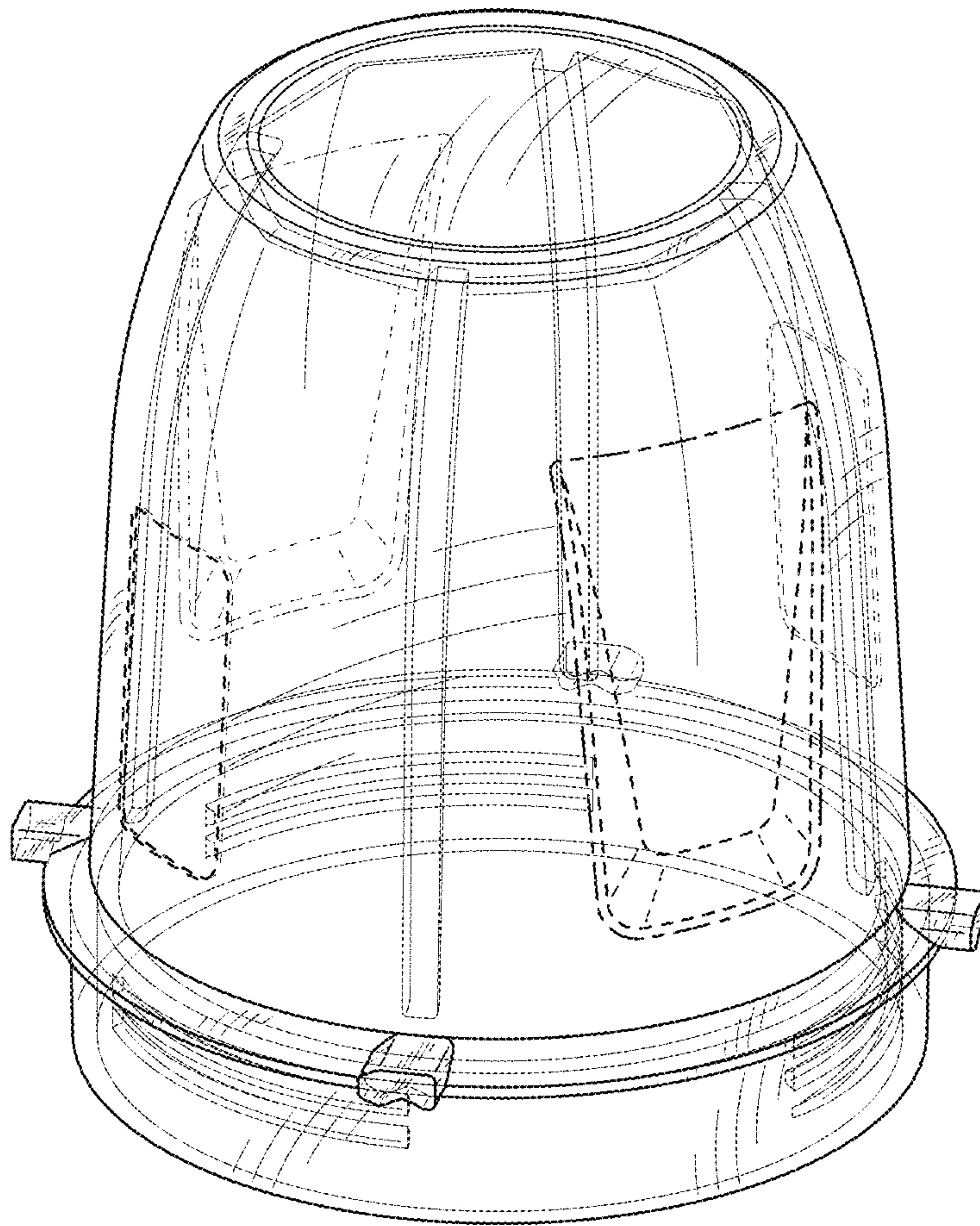


FIG. 1

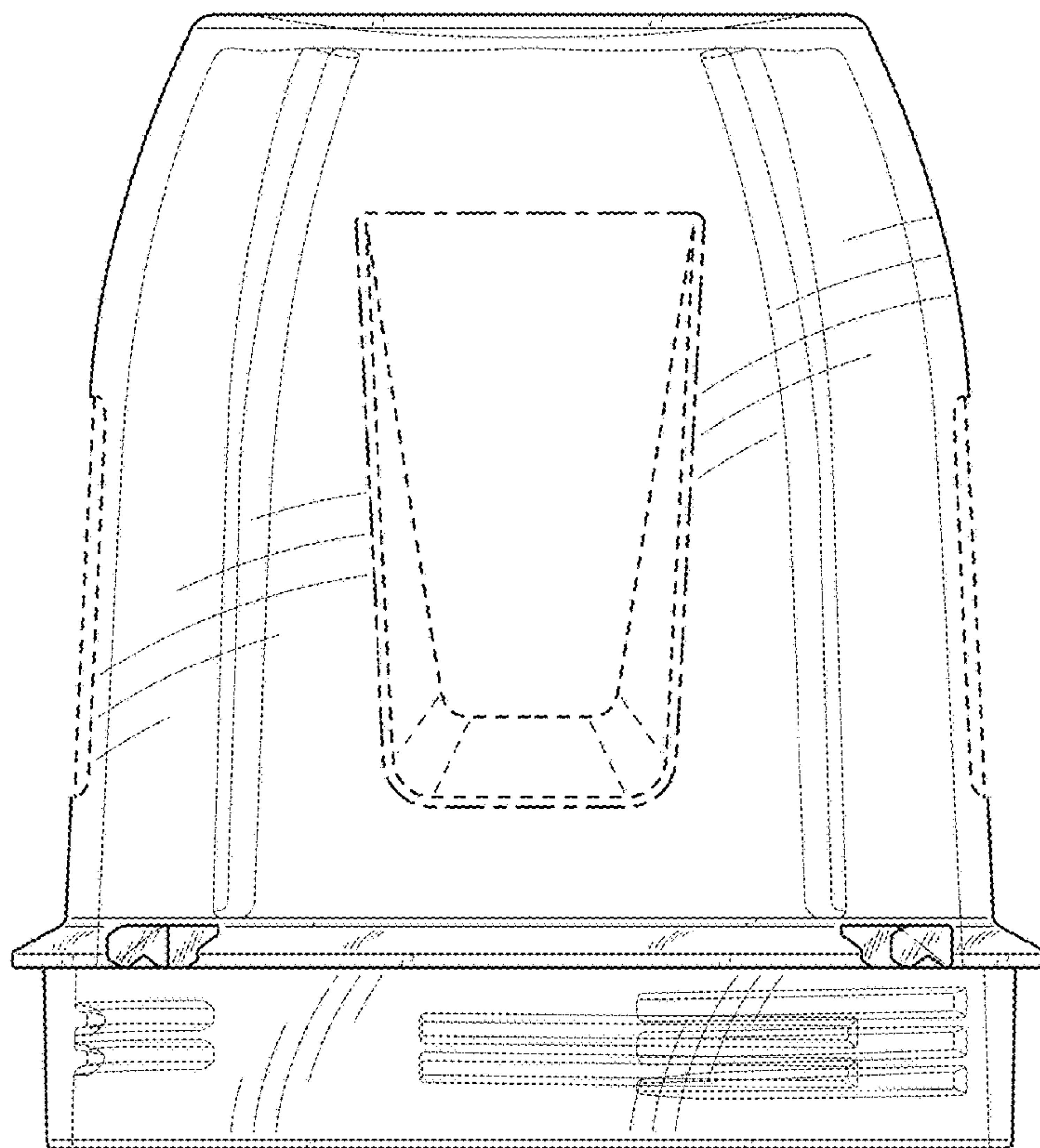


FIG. 2

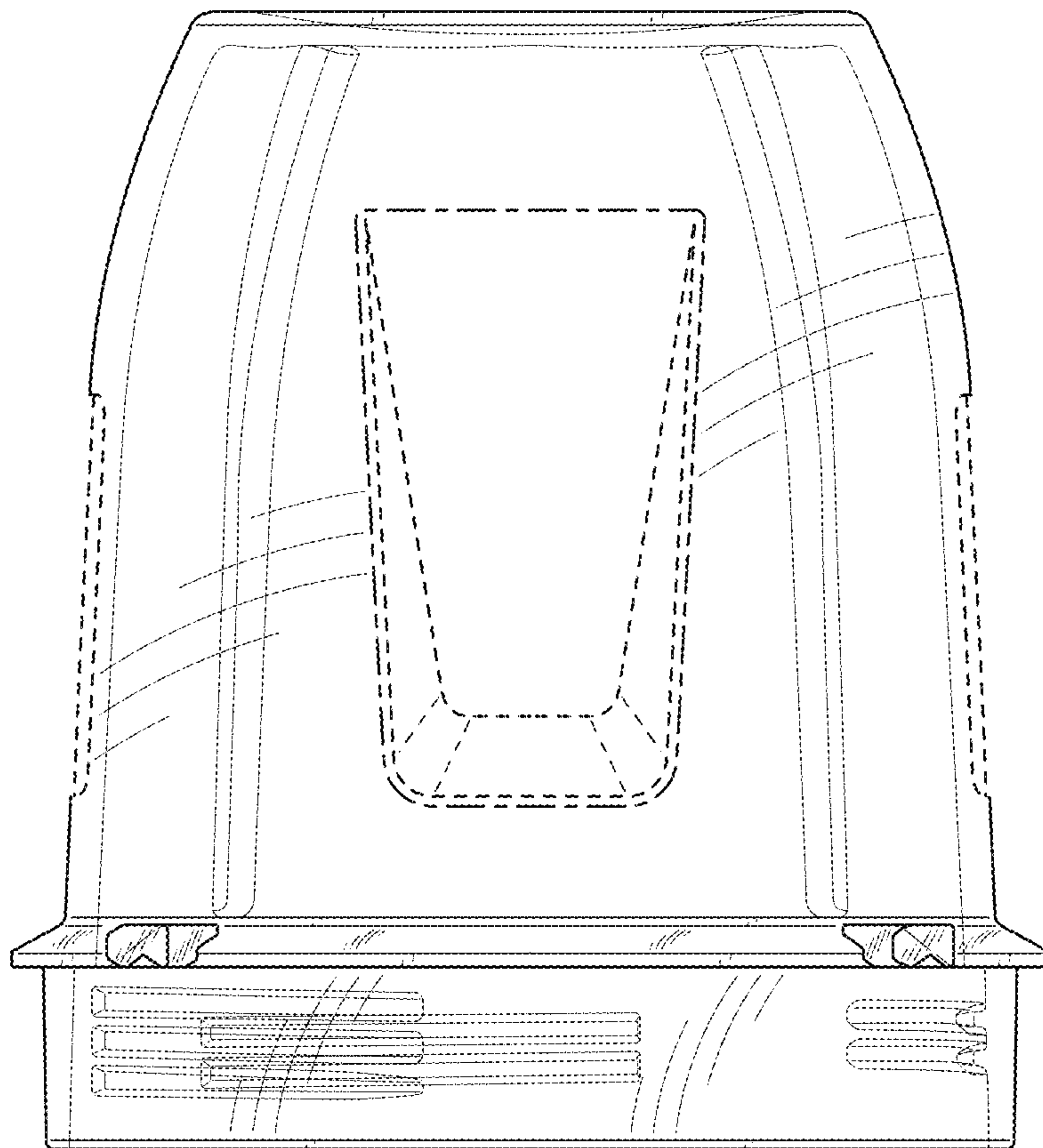


FIG. 3

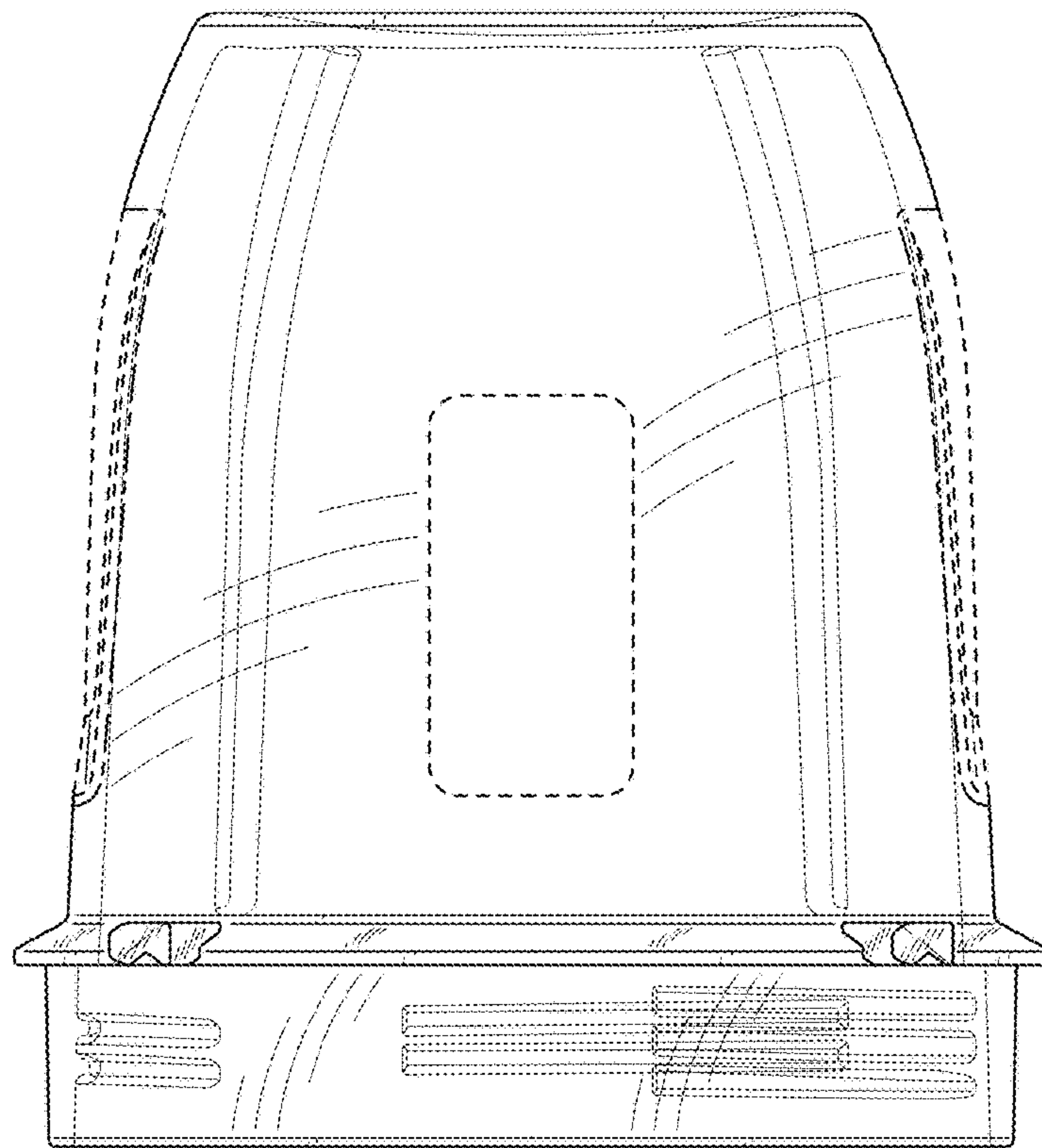


FIG. 4

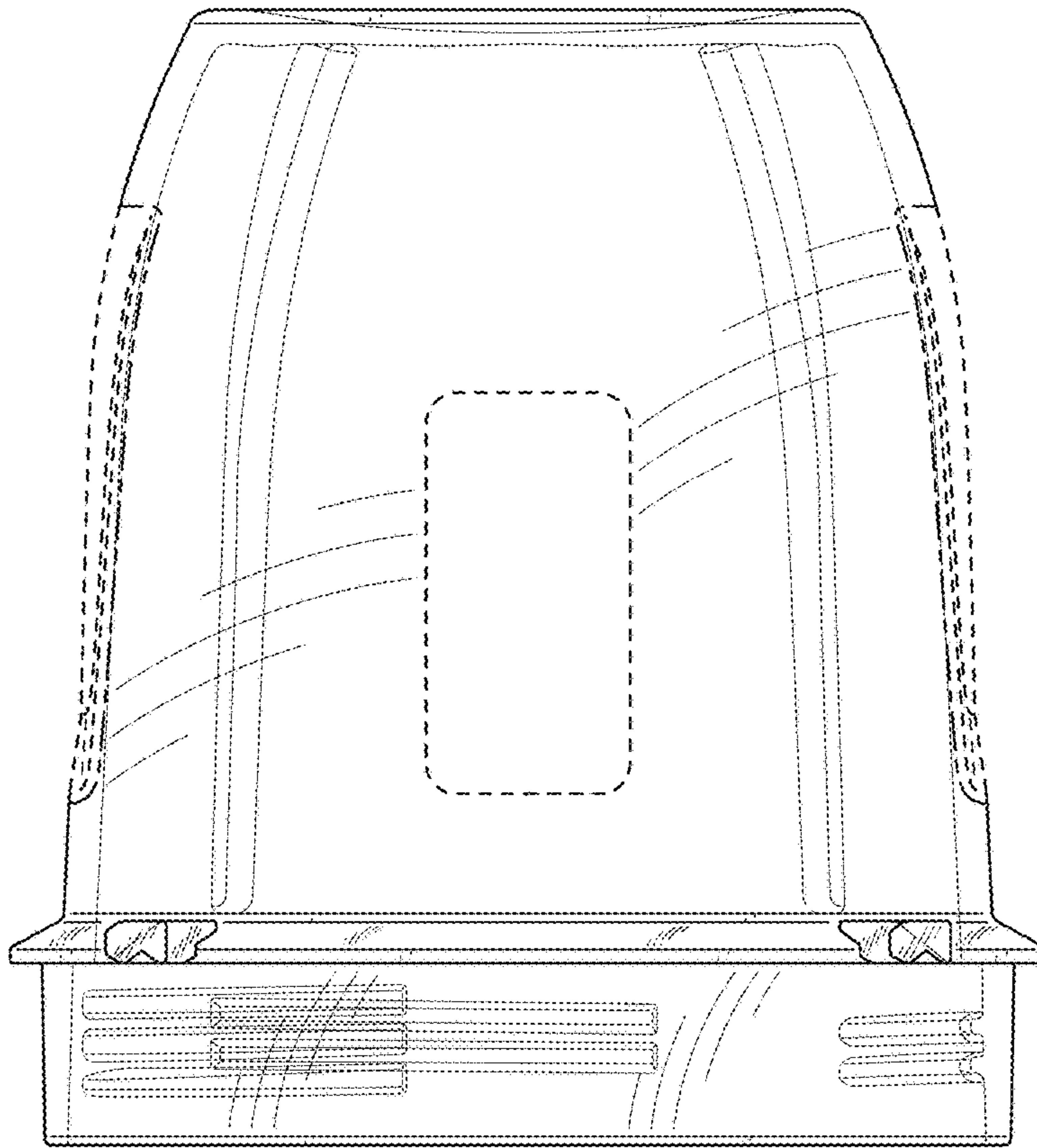


FIG. 5

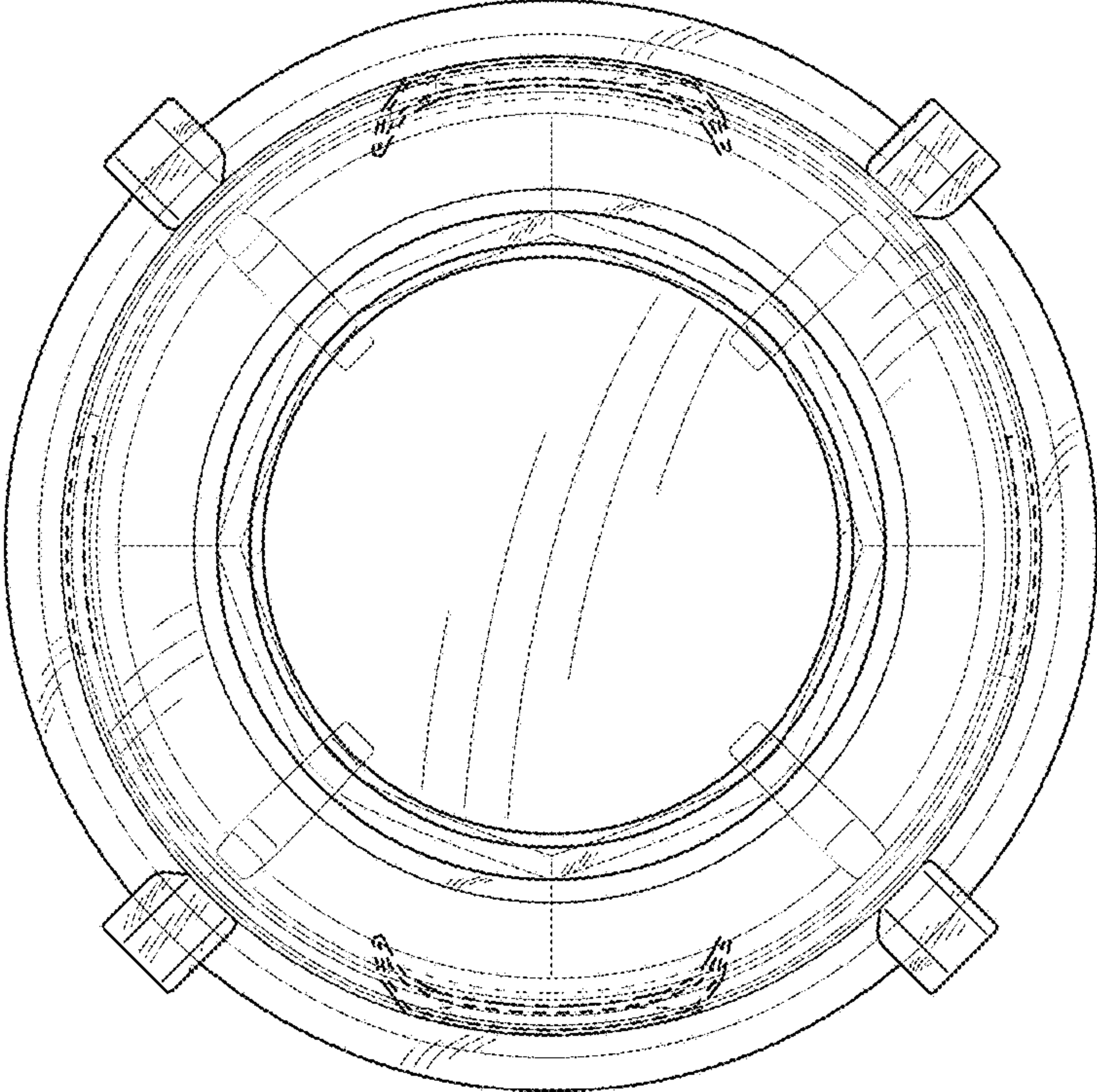


FIG. 6

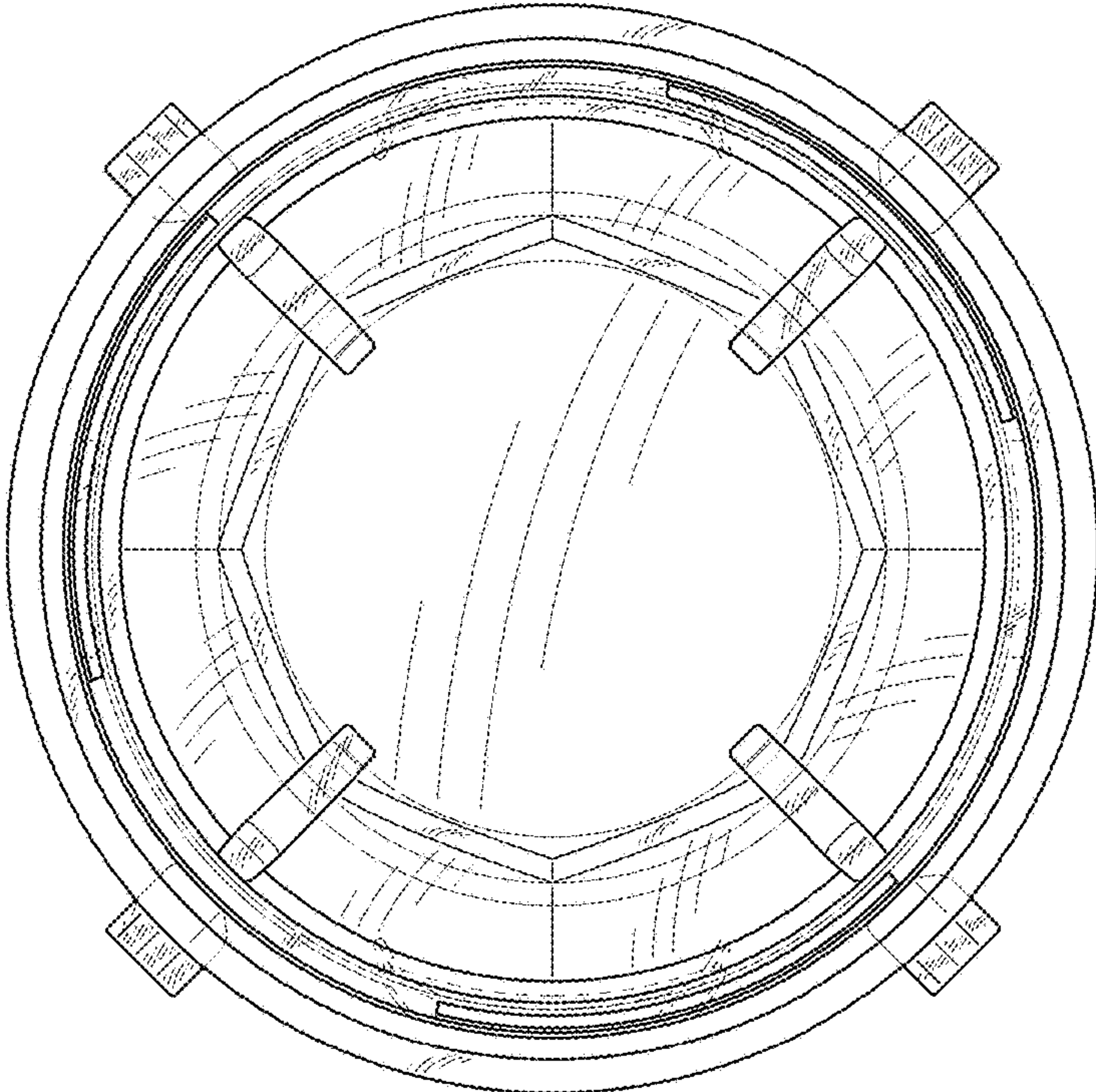


FIG. 7

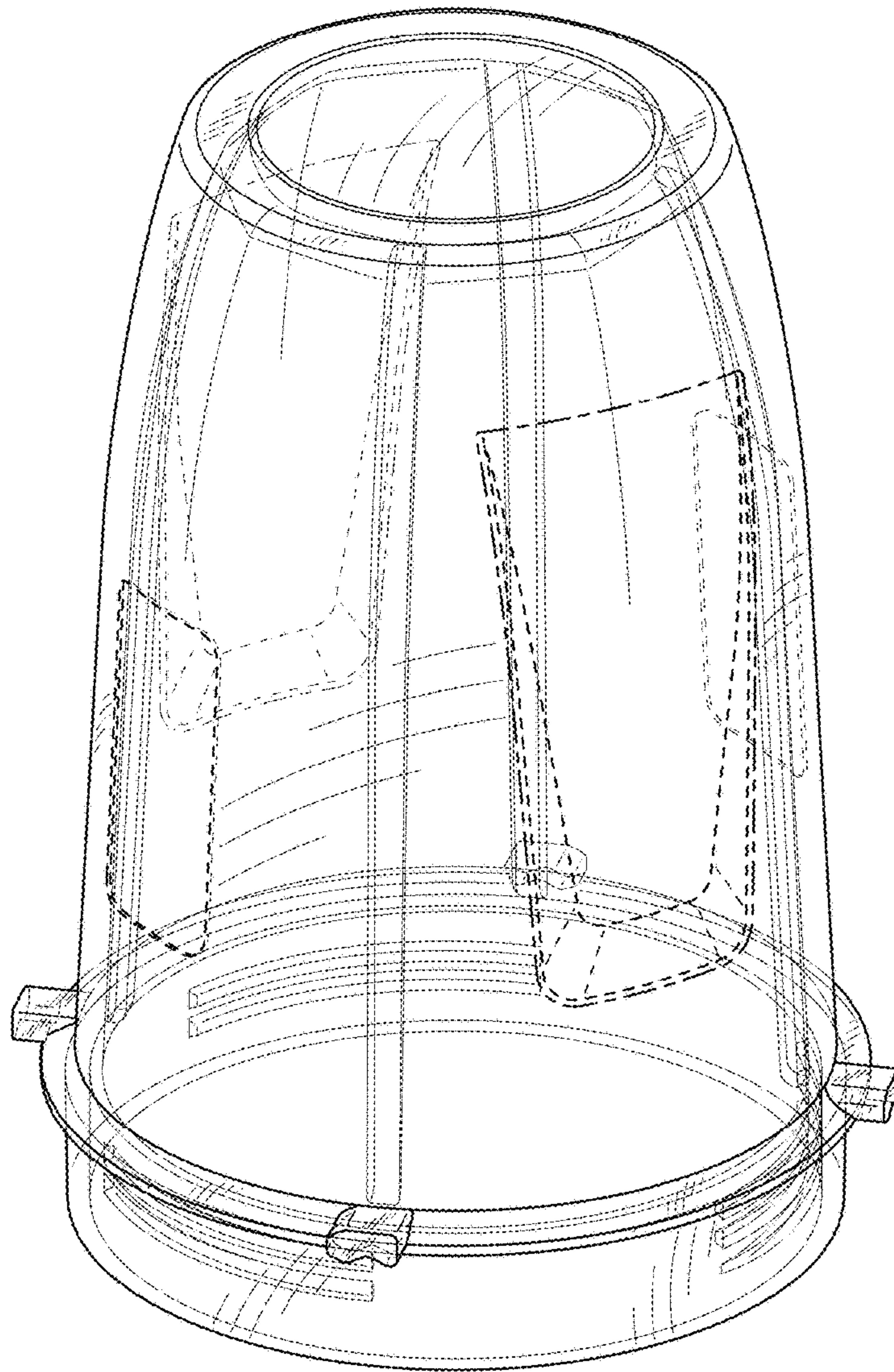


FIG. 8

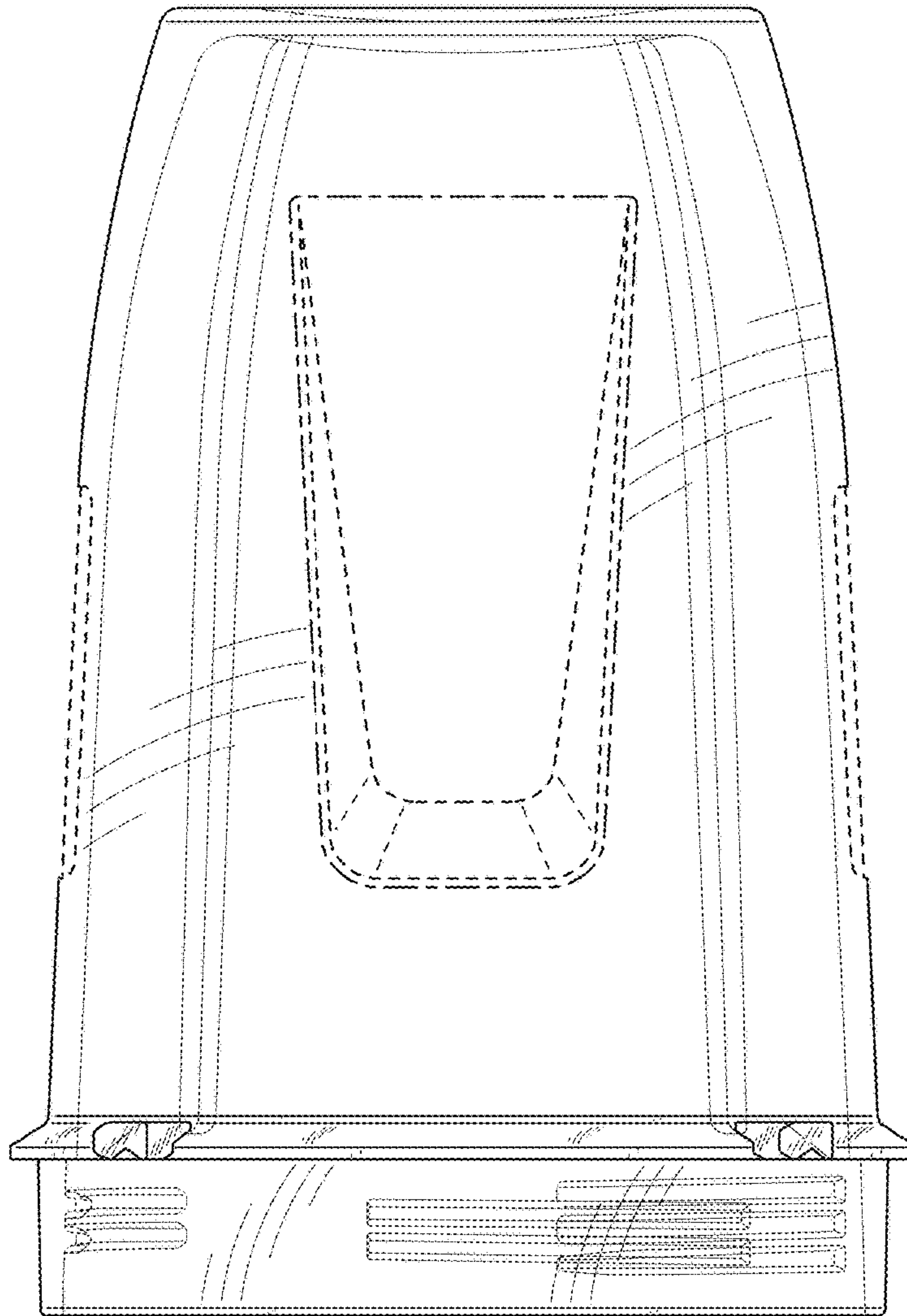


FIG. 9

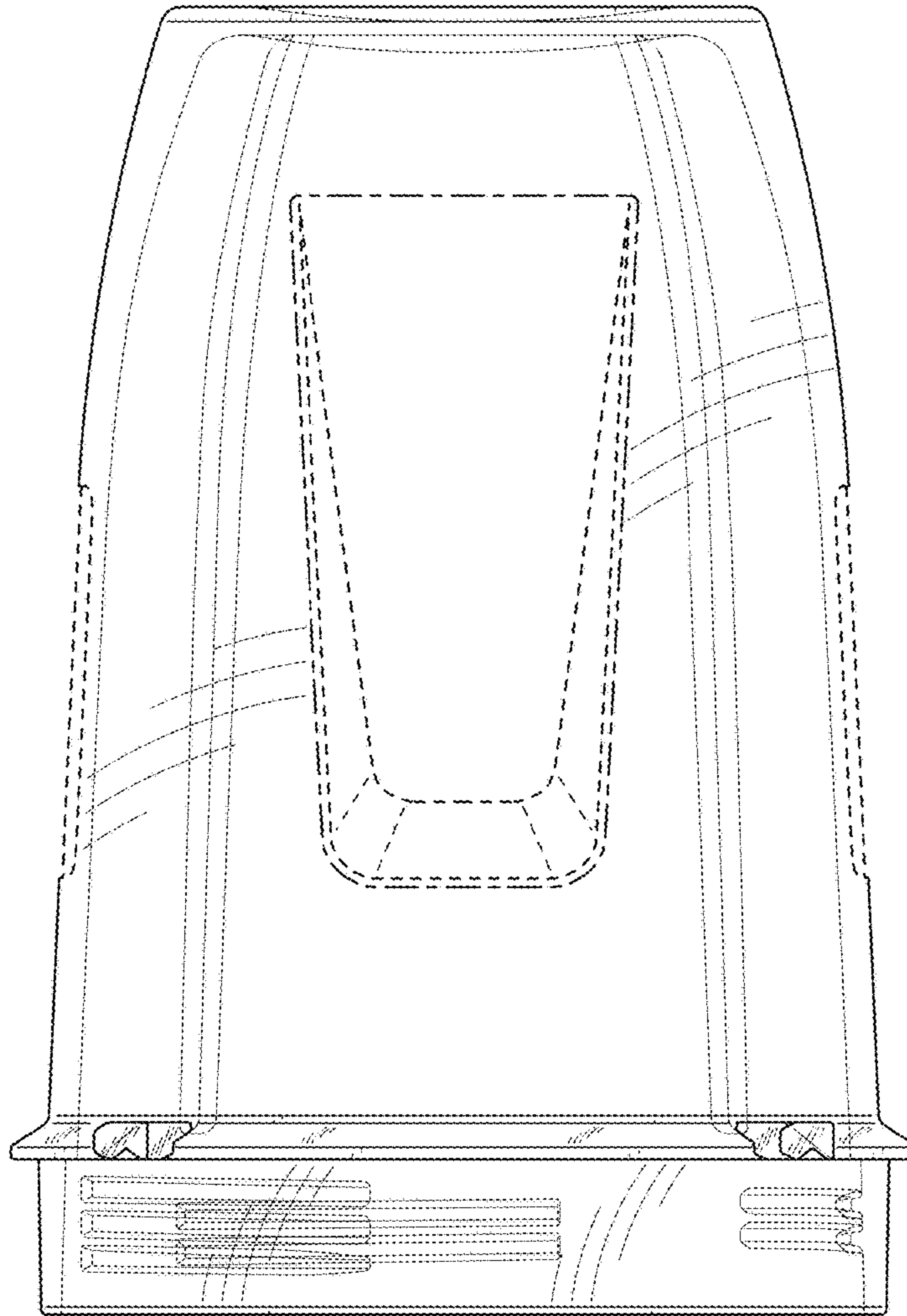


FIG. 10

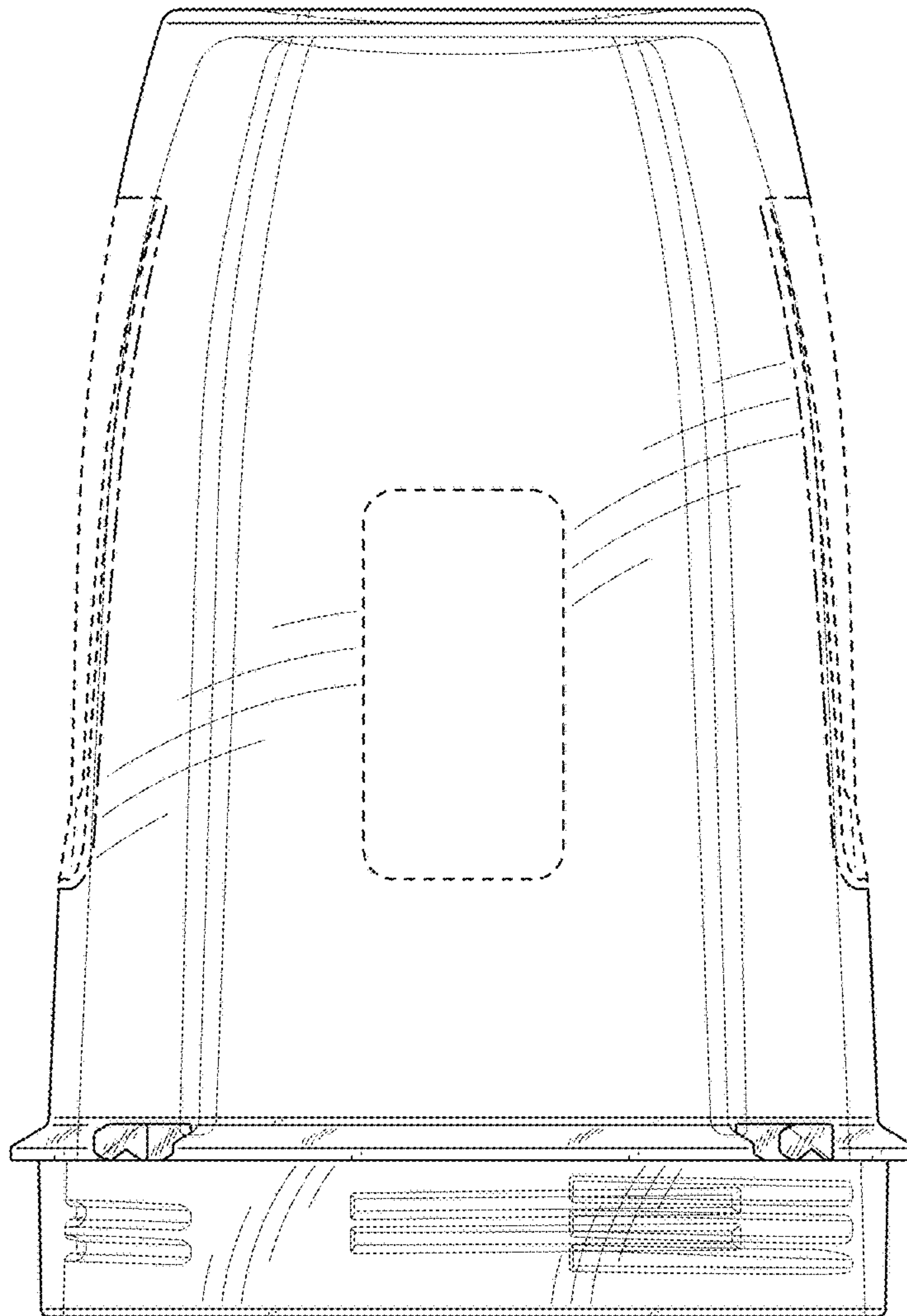


FIG. 11

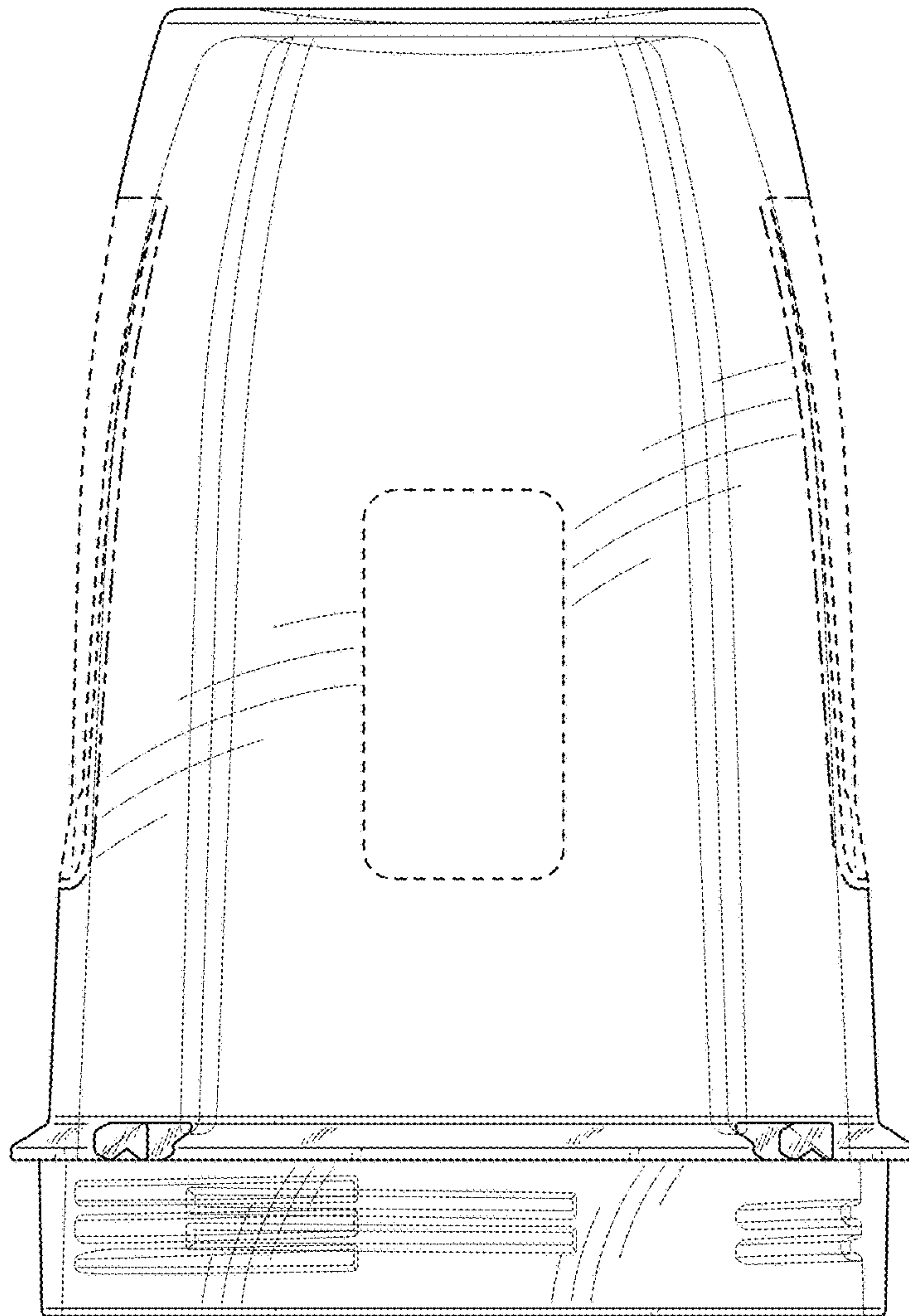


FIG. 12

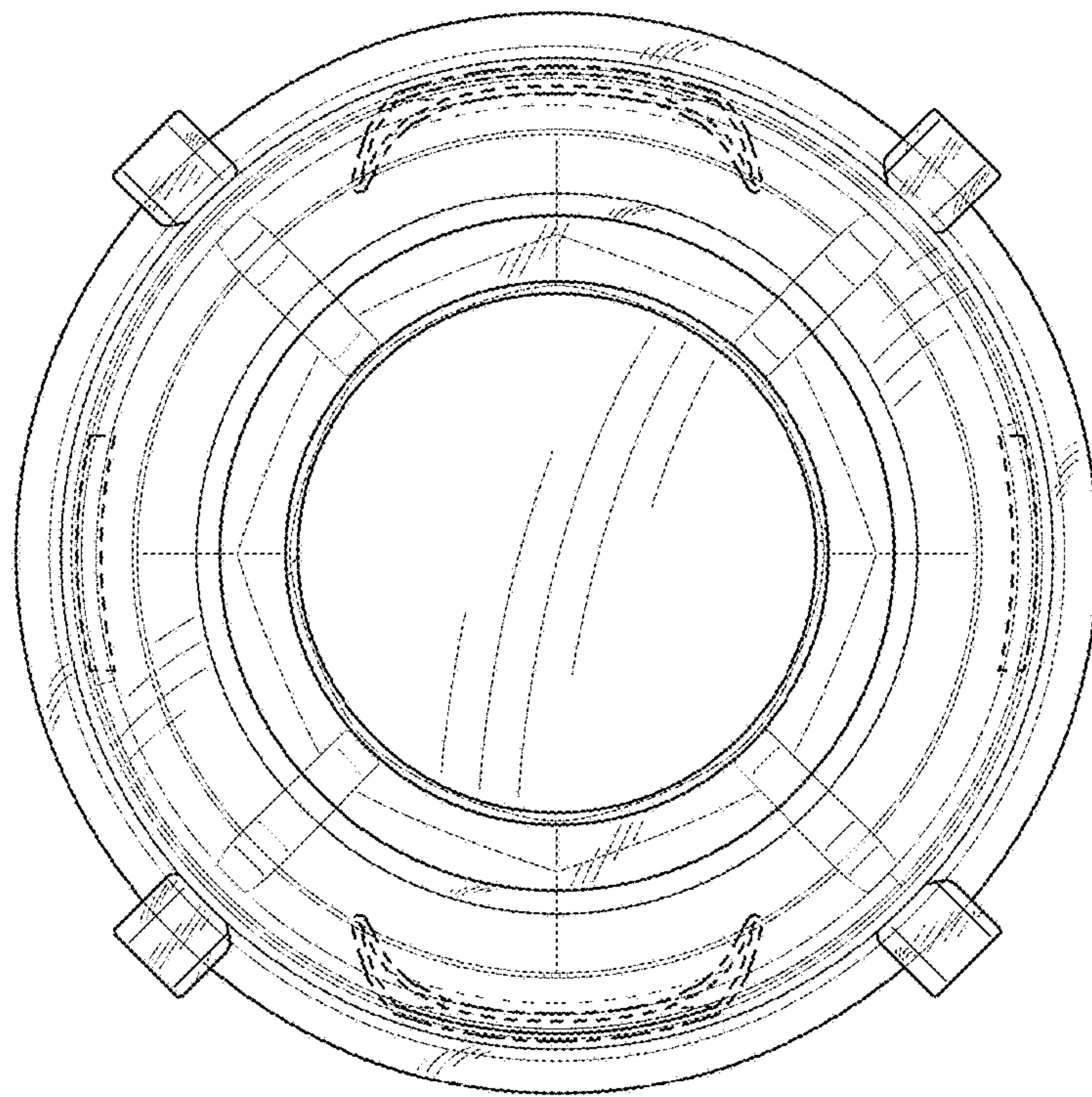


FIG. 13

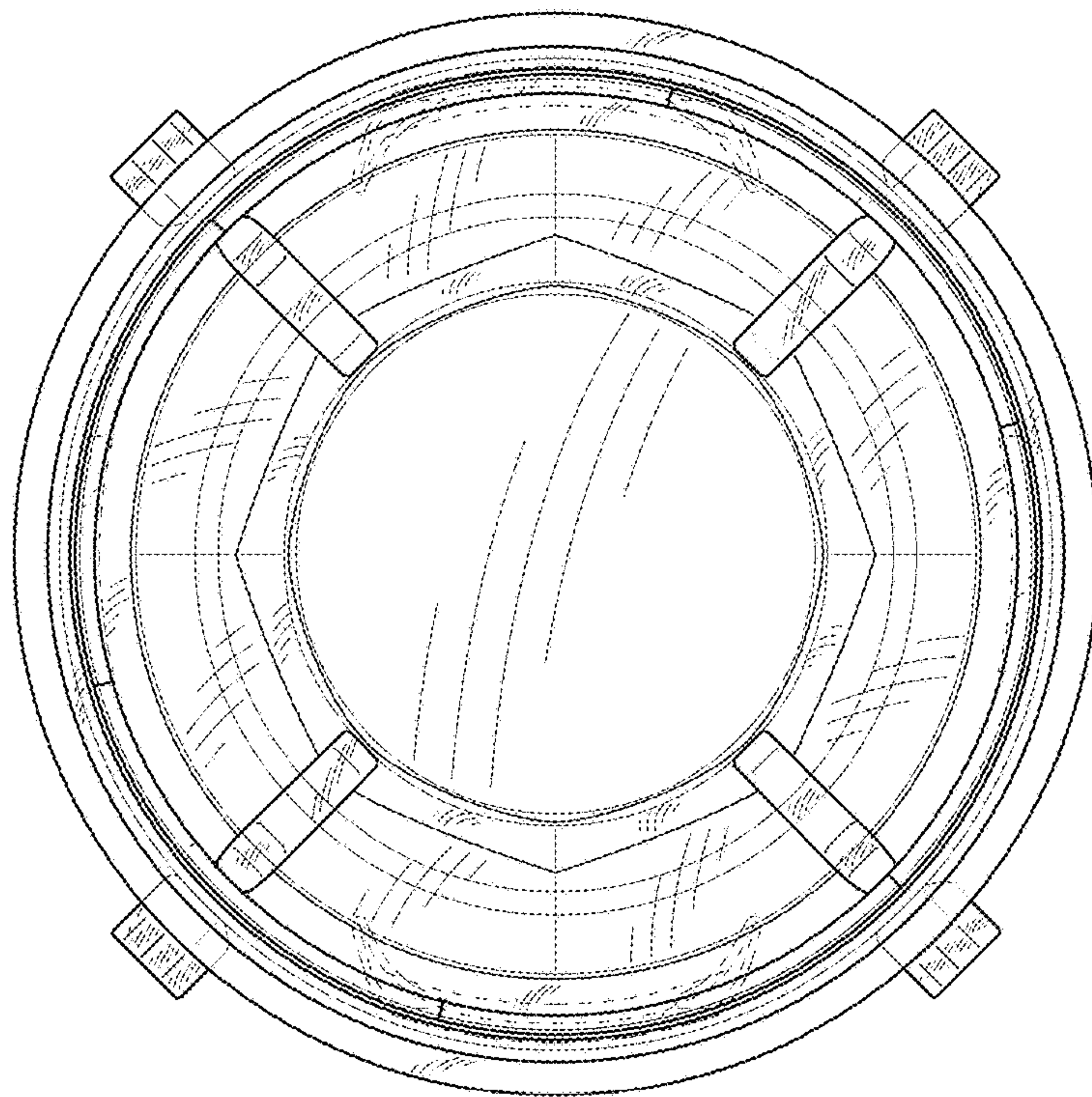


FIG. 14

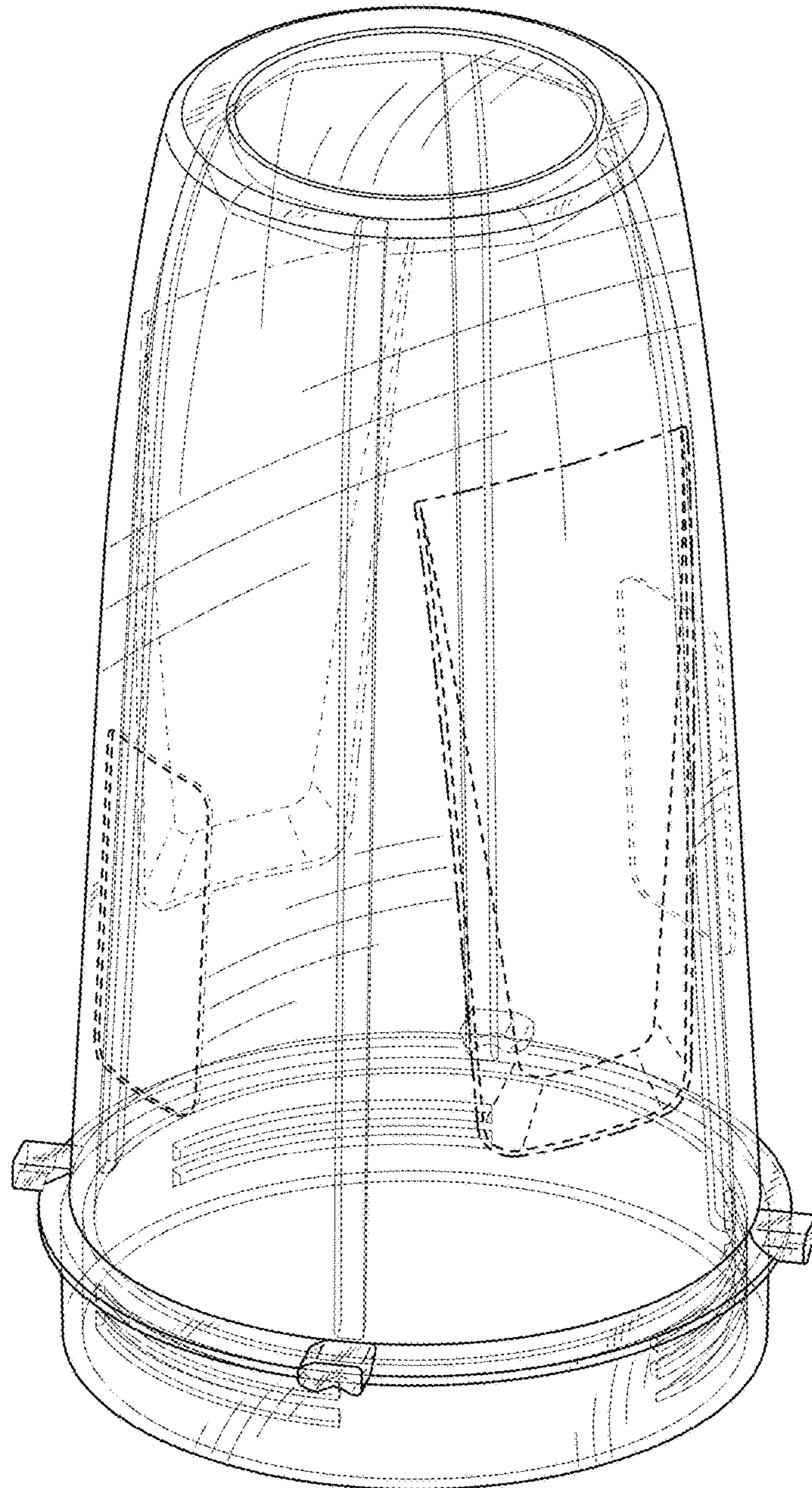


FIG. 15

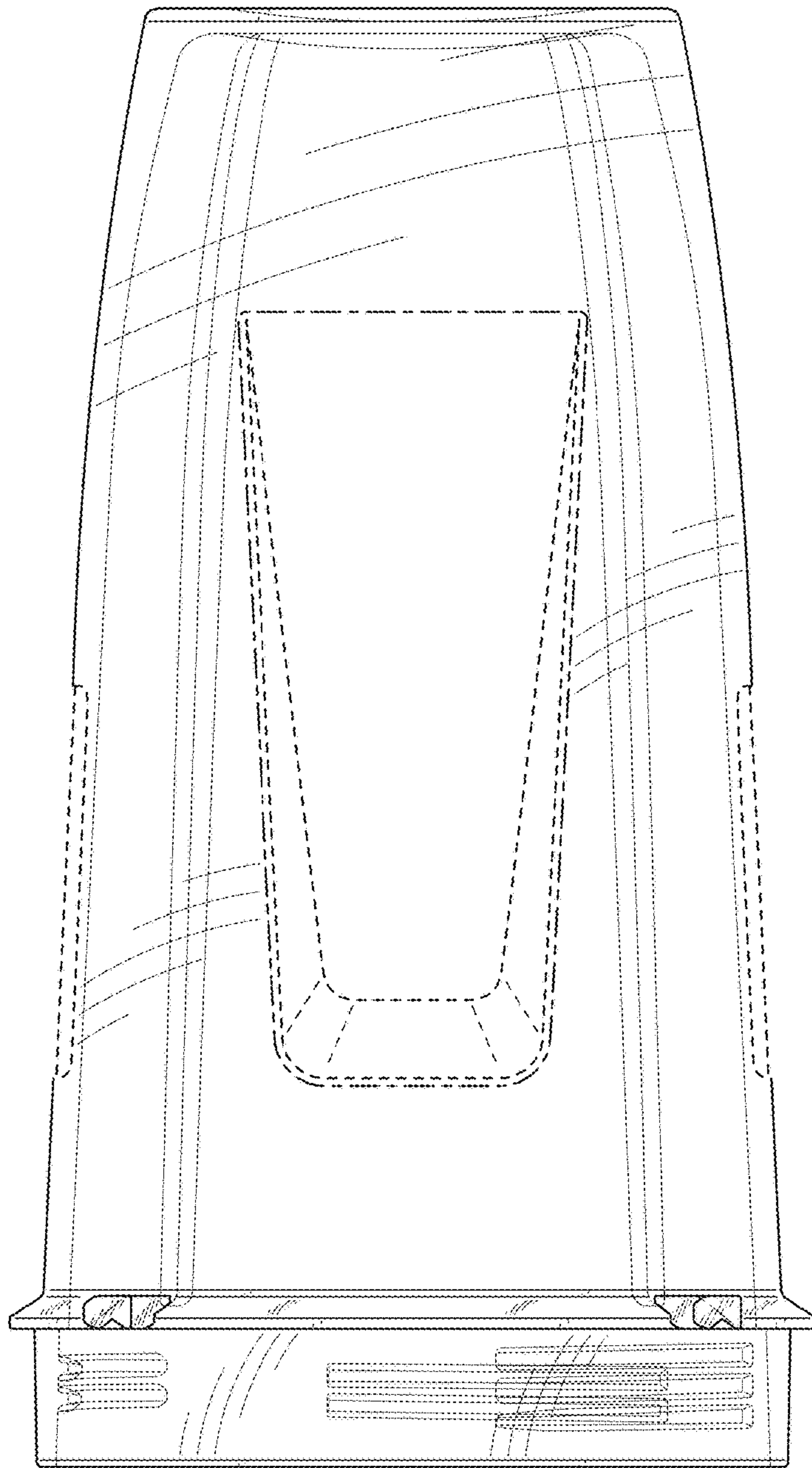


FIG. 16

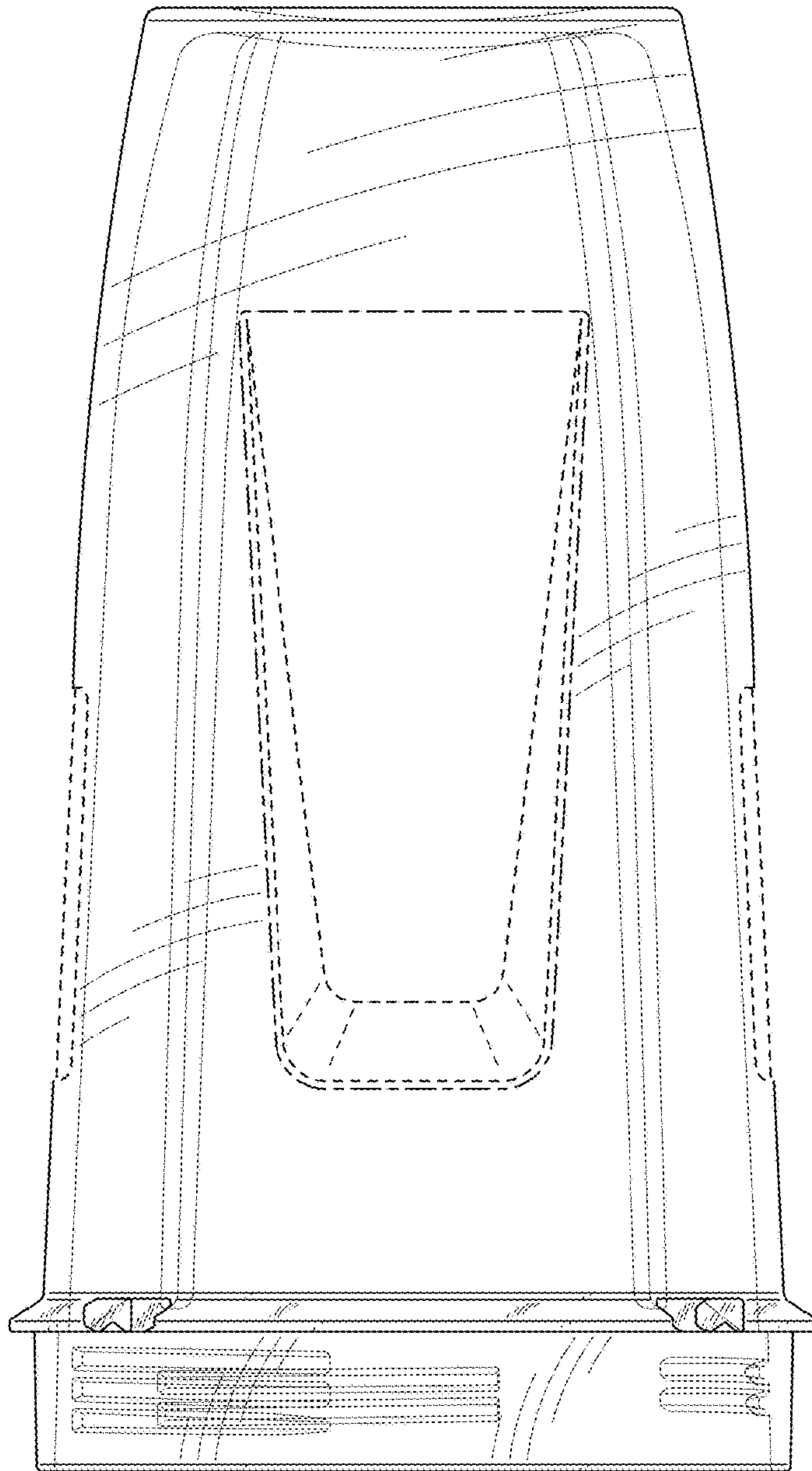


FIG. 17

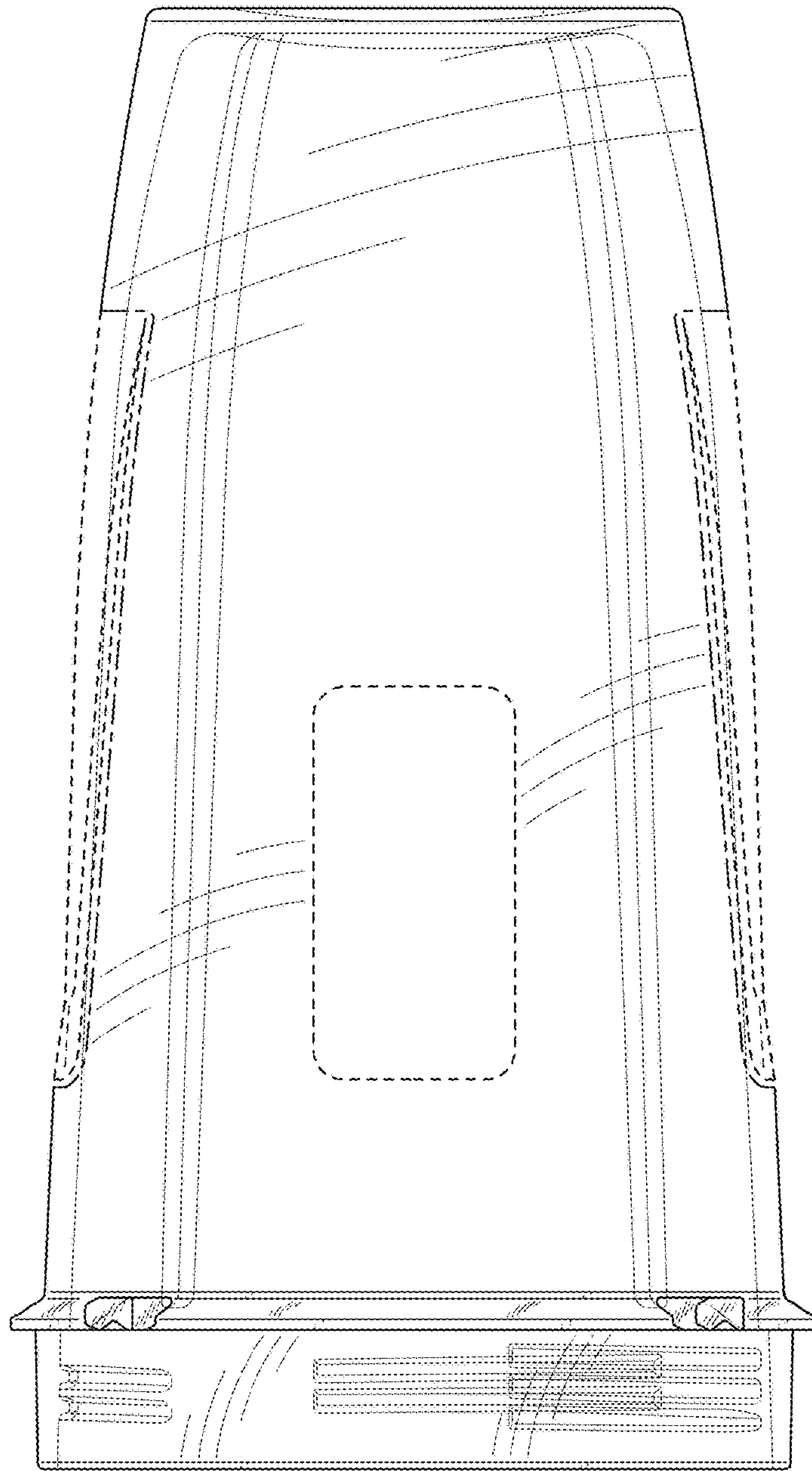


FIG. 18

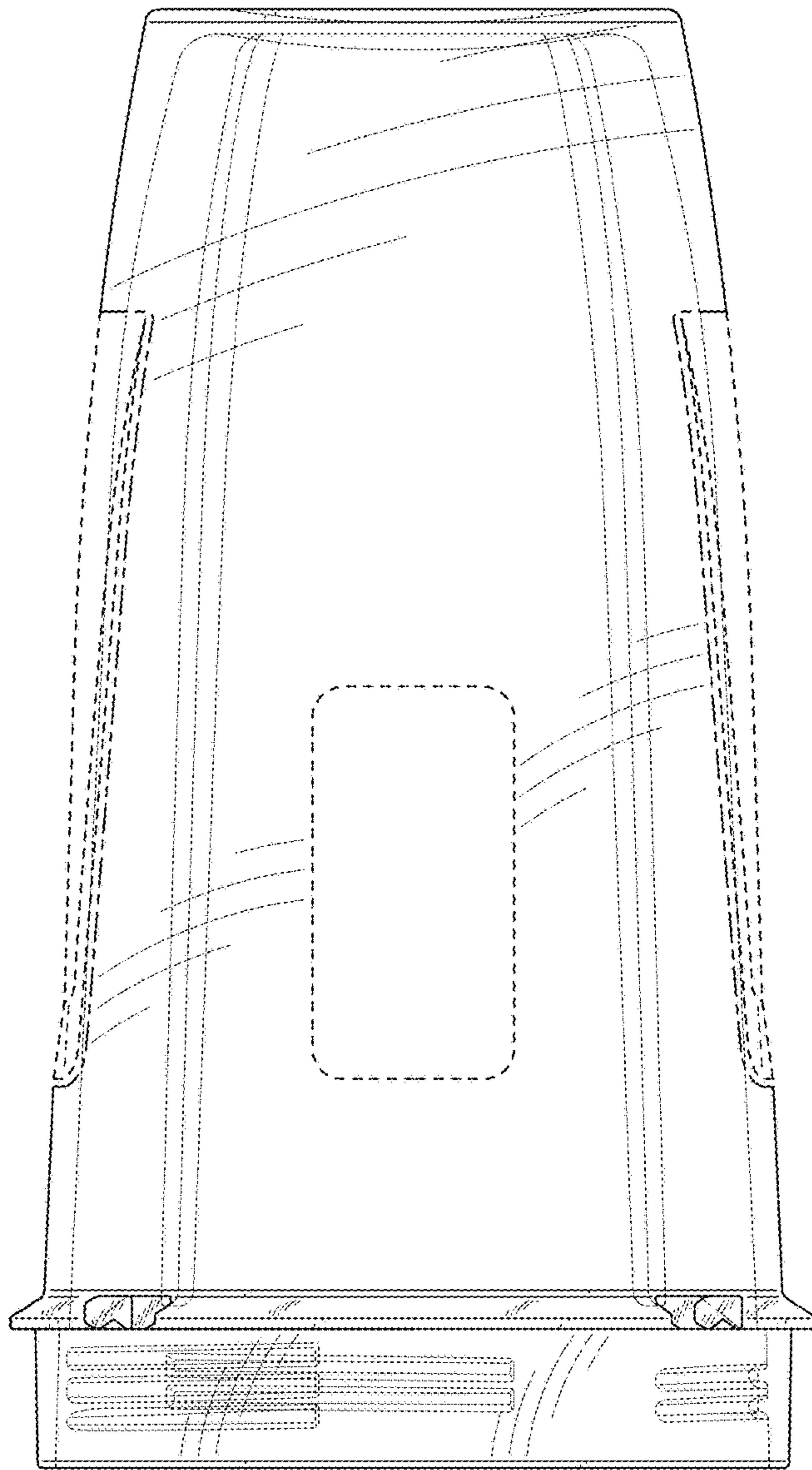


FIG. 19

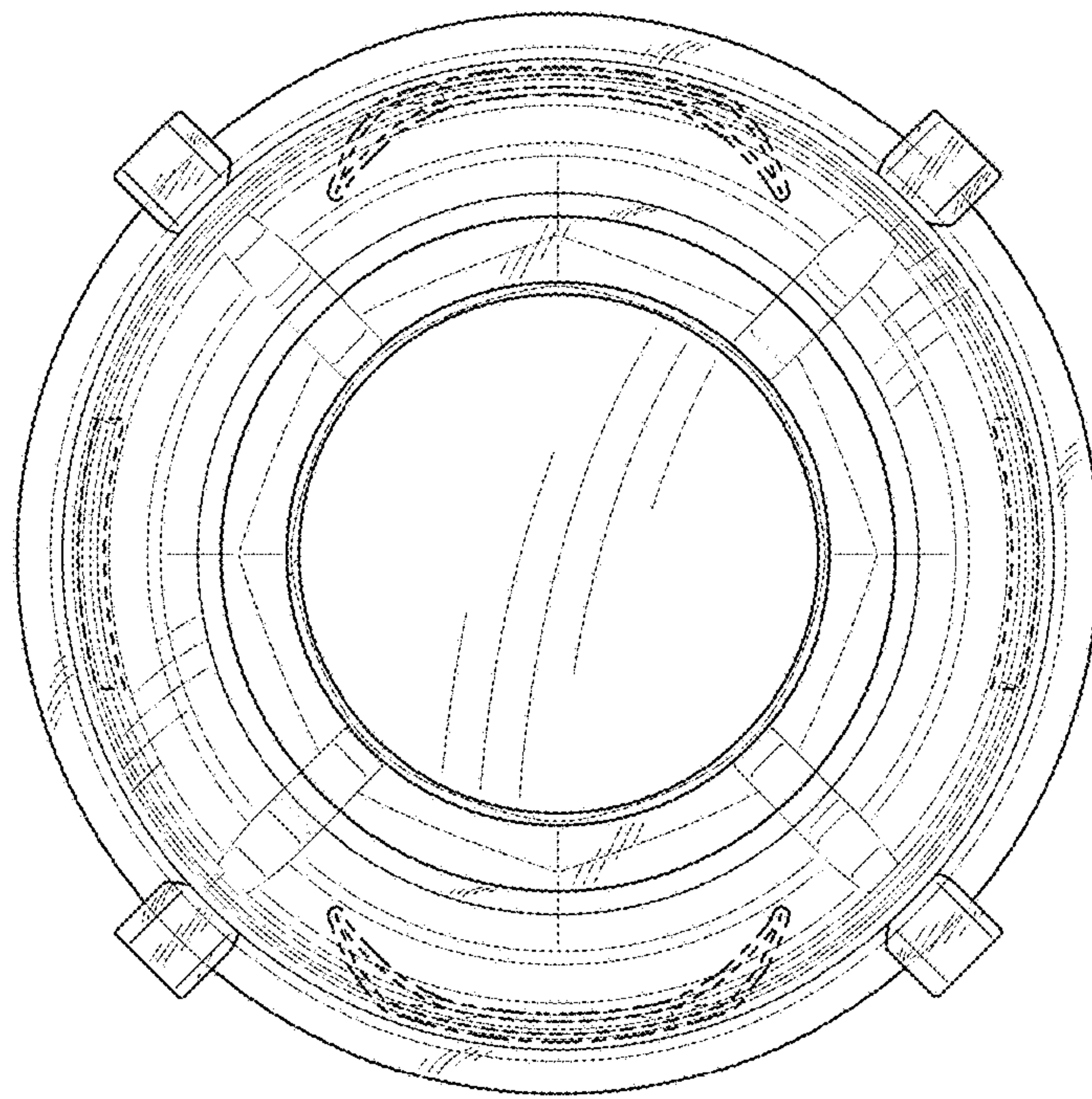


FIG. 20

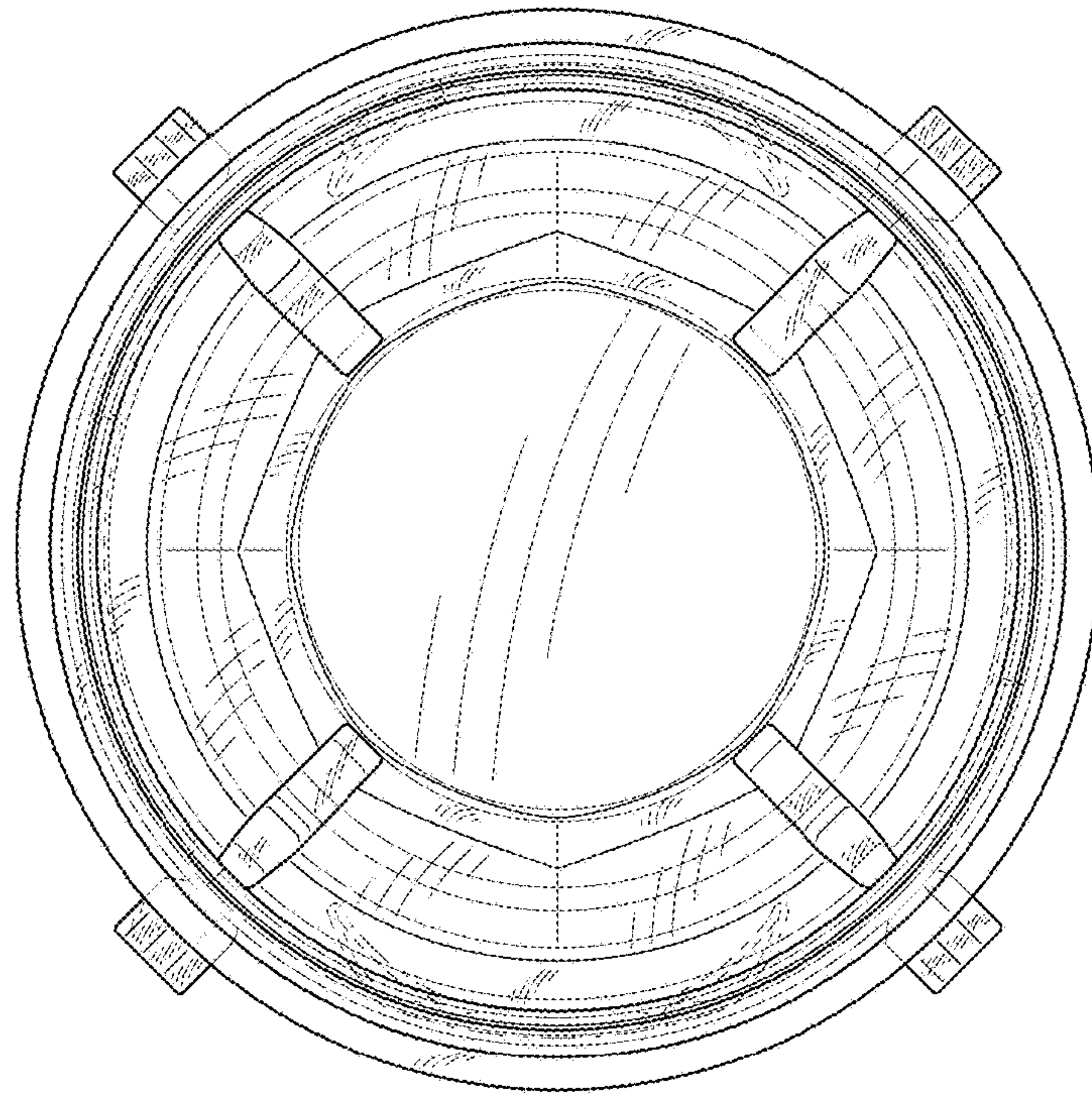


FIG. 21

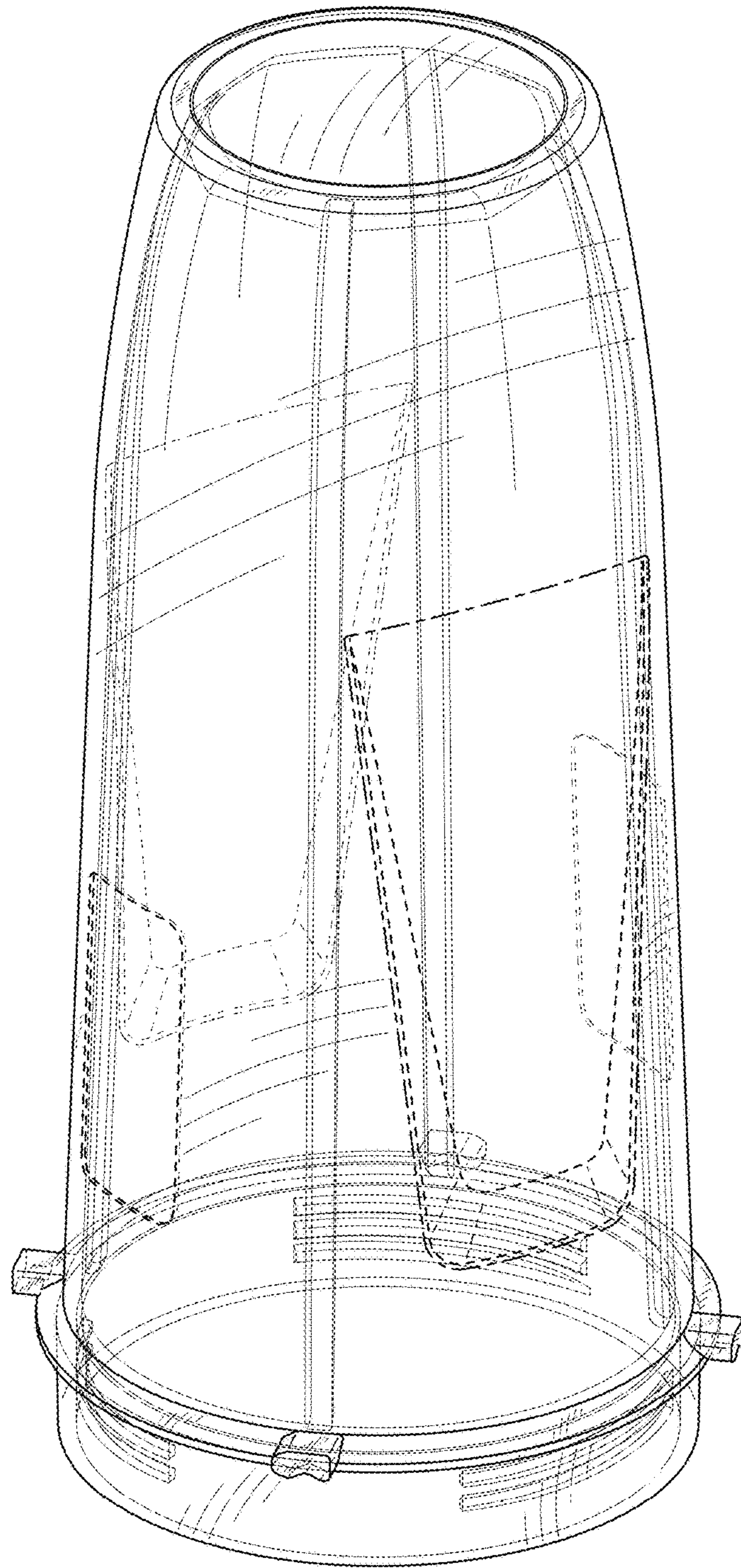


FIG. 22

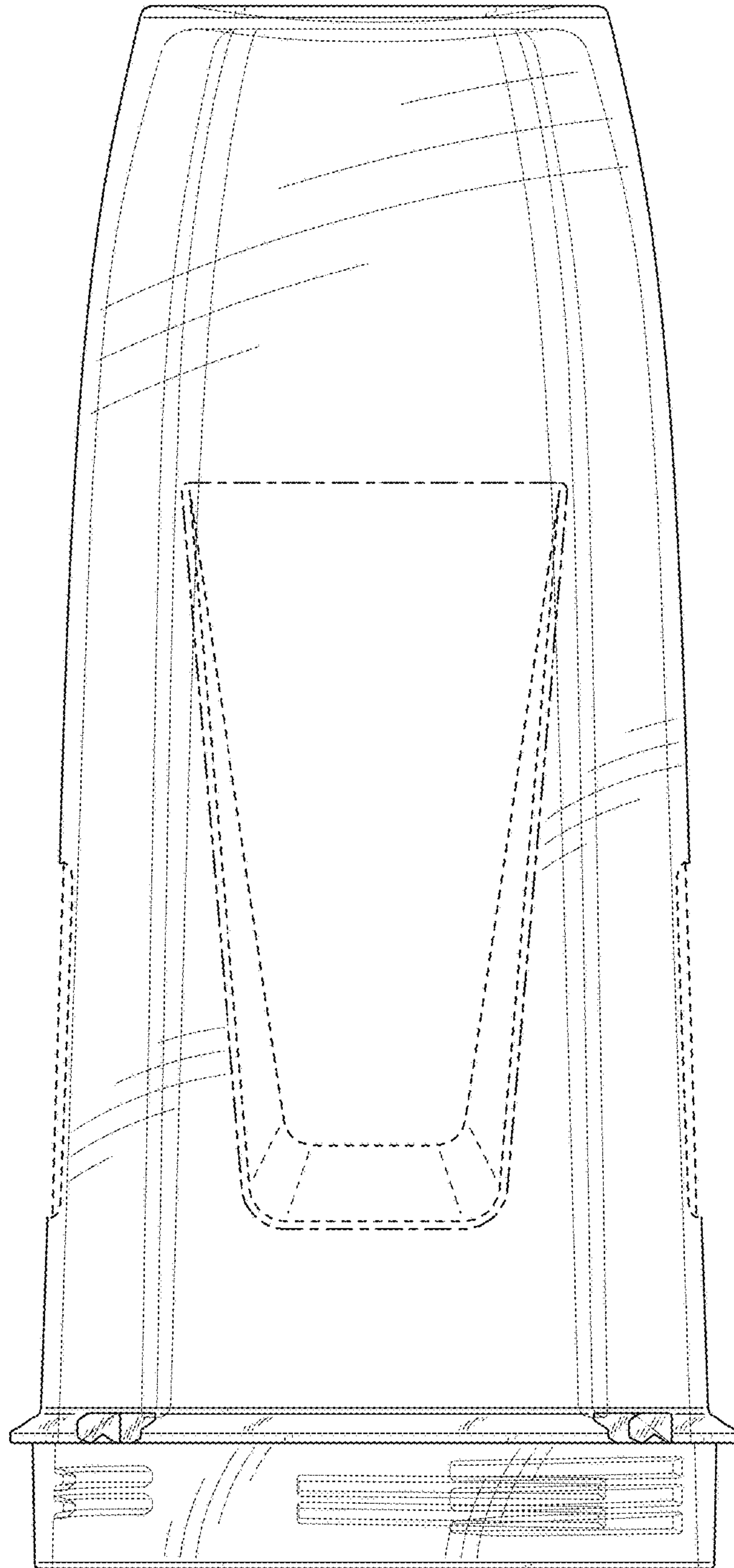


FIG. 23

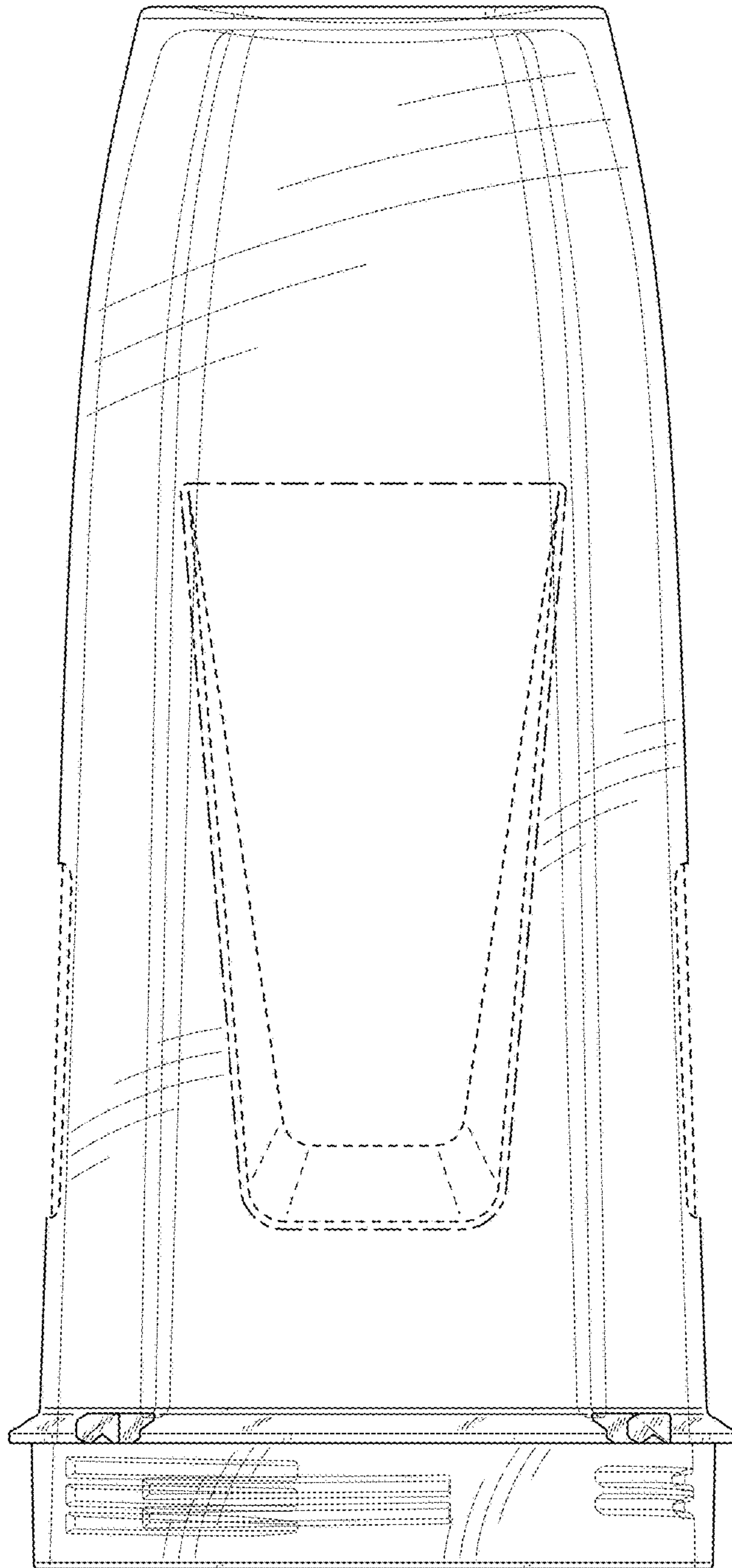


FIG. 24

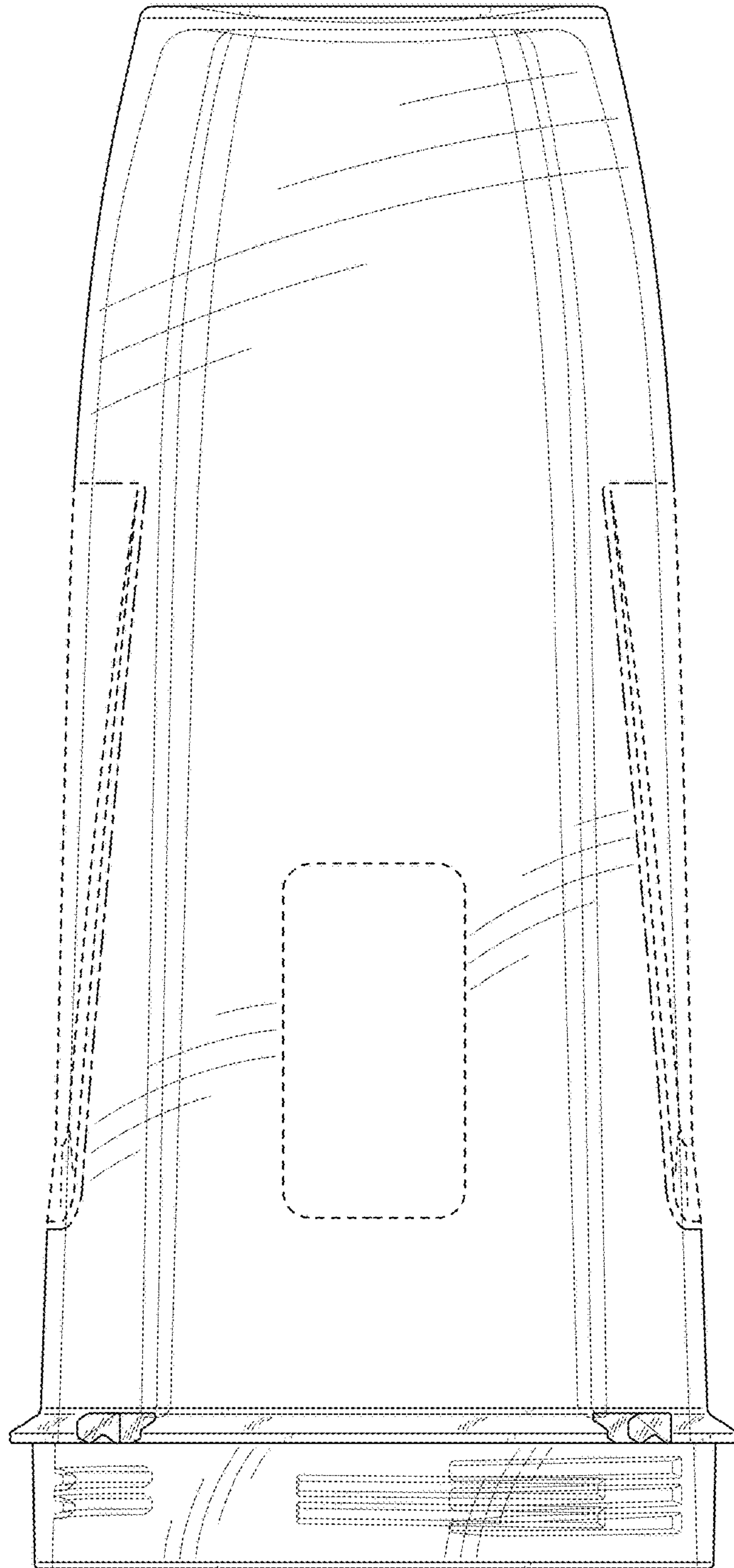


FIG. 25

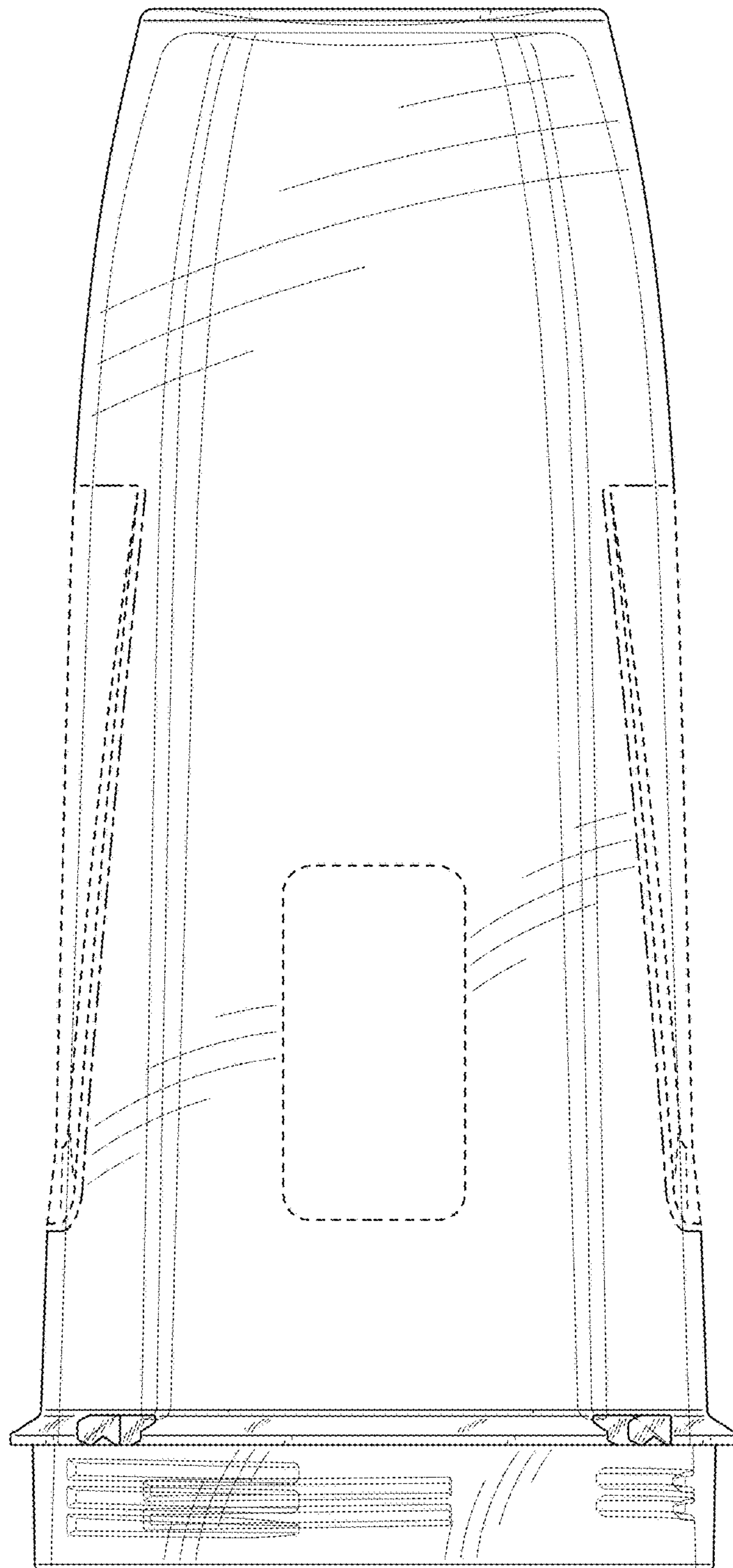


FIG. 26

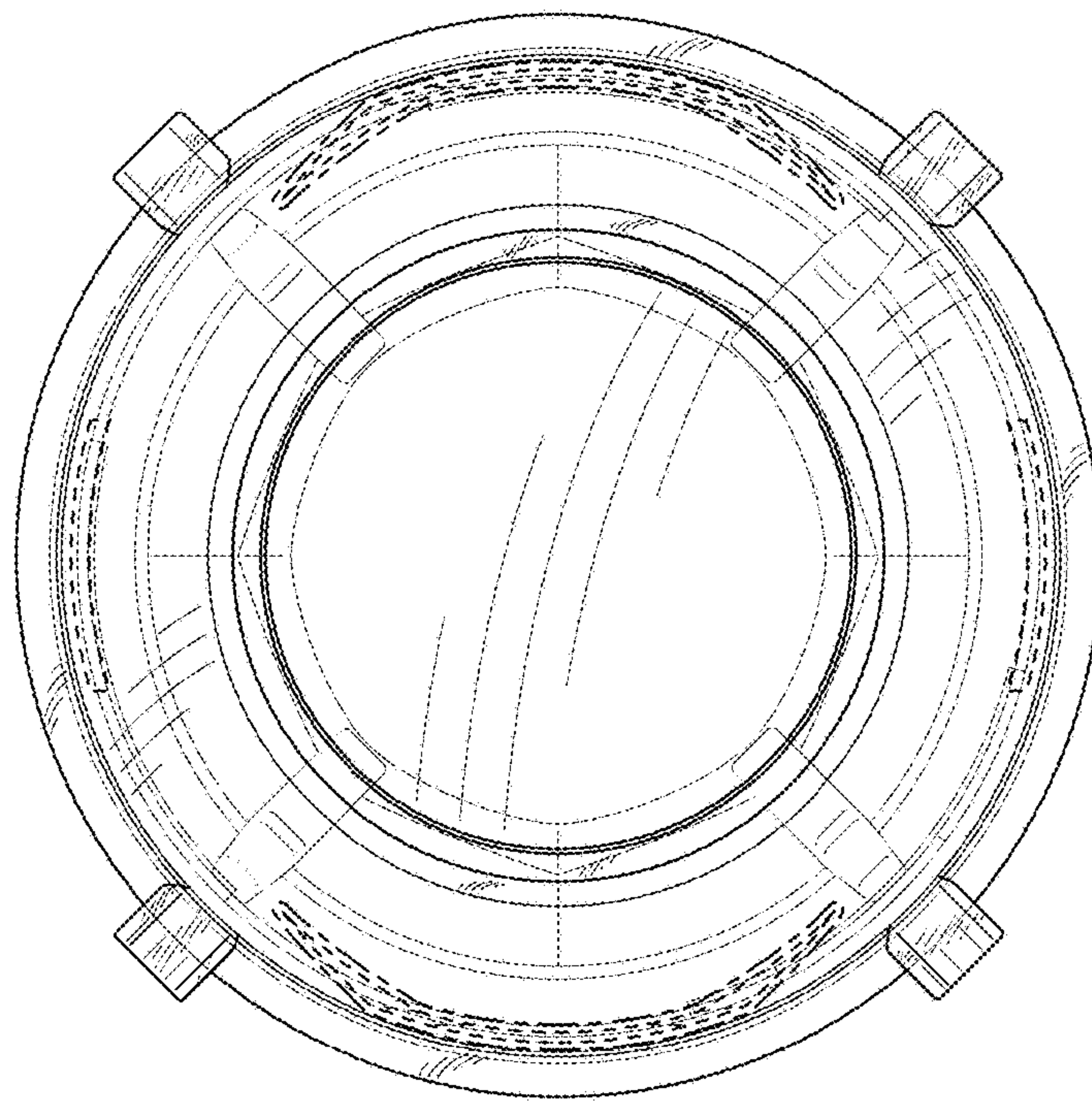


FIG. 27

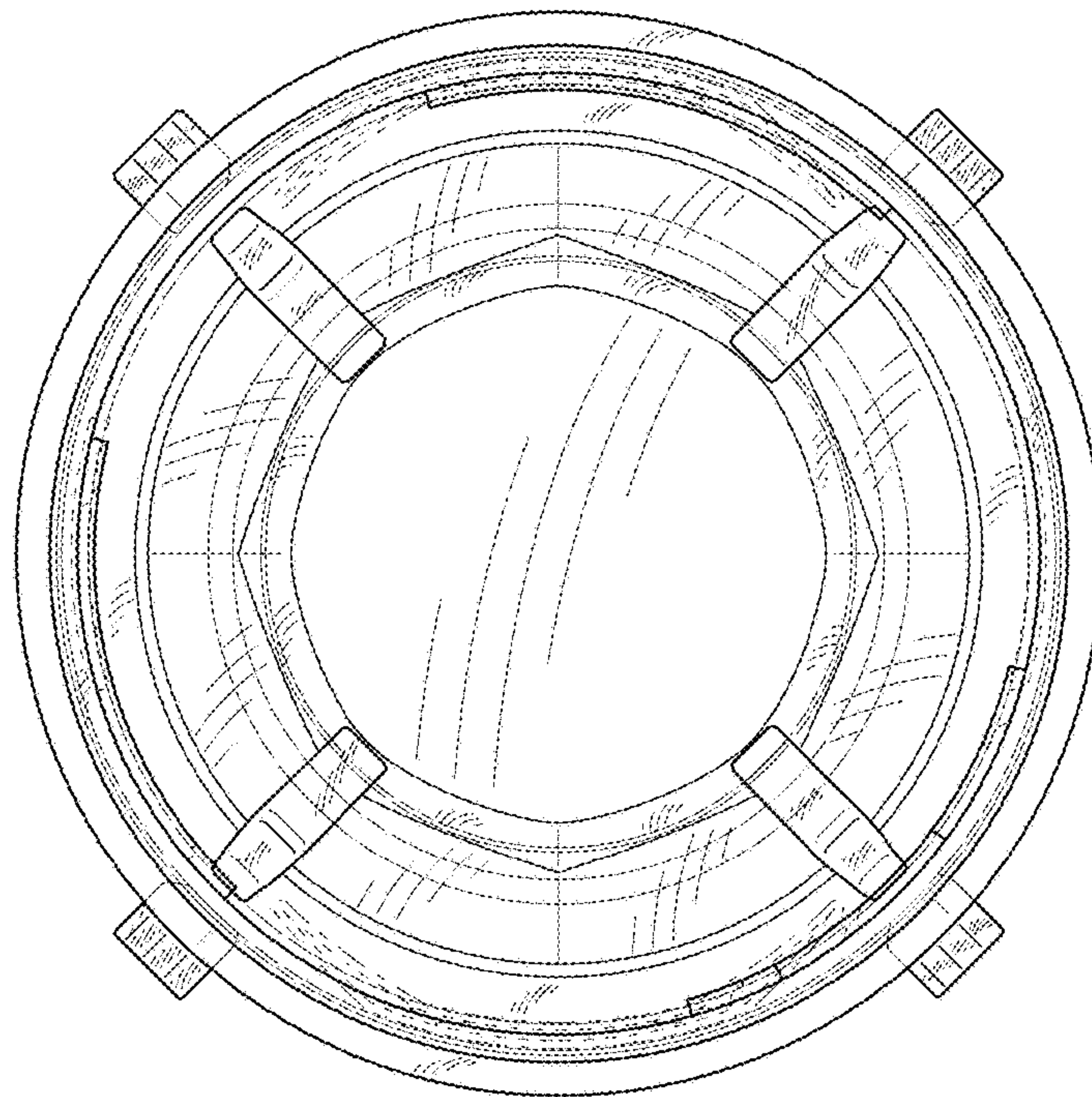


FIG. 28