



US00D775891S

(12) **United States Design Patent** (10) **Patent No.:** **US D775,891 S**  
**Lewis-Foor** (45) **Date of Patent:** **\*\* Jan. 10, 2017**

(54) **BAKING RACK**

D538,106 S \* 3/2007 Julian ..... D7/409  
D542,092 S \* 5/2007 Raichlen ..... D7/409  
D668,103 S \* 10/2012 Cloutier ..... D7/402

(71) Applicant: **Terry J. Lewis-Foor**, Coal City, IL  
(US)

\* cited by examiner

(72) Inventor: **Terry J. Lewis-Foor**, Coal City, IL  
(US)

*Primary Examiner* — Terry Wallace  
(74) *Attorney, Agent, or Firm* — Christopher & Weisberg,  
P.A.

(73) Assignee: **Terry J. Lewis-Foor**, Coal City, IL  
(US)

(57) **CLAIM**

(\*\*) Term: **14 Years**

The ornamental design for a baking rack, as shown and described.

(21) Appl. No.: **29/520,969**

**DESCRIPTION**

(22) Filed: **Mar. 19, 2015**

(51) **LOC (10) Cl.** ..... **07-99**

(52) **U.S. Cl.**  
USPC ..... **D7/409**

(58) **Field of Classification Search**  
USPC ..... D7/368, 669, 409; D6/676.5, 677.5,  
D6/678.4, 680.3  
CPC ..... A47J 43/18; A47J 37/0694; F24C 15/16;  
F24B 1/205  
See application file for complete search history.

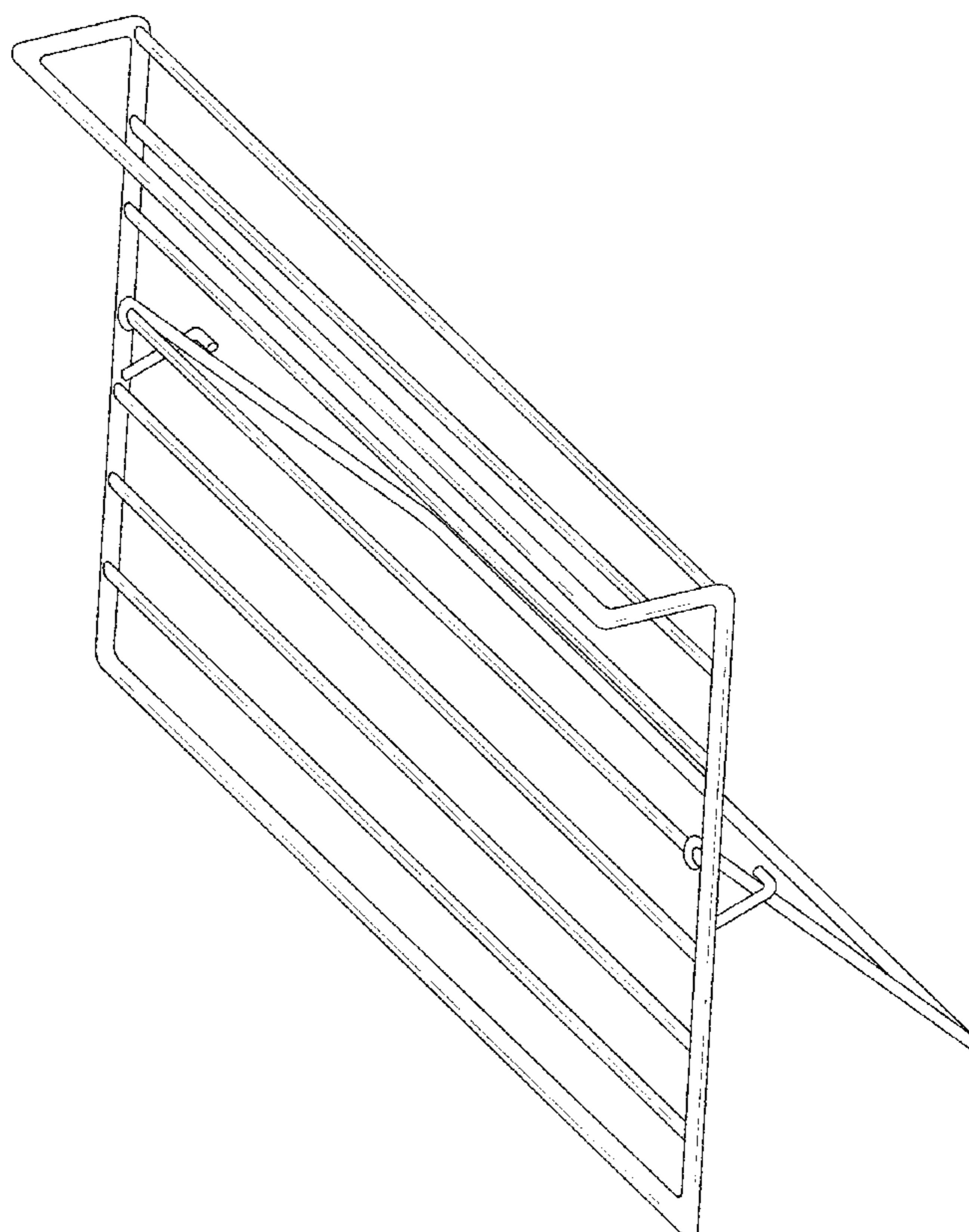
FIG. 1 is front perspective view of a baking rack;  
FIG. 2 is a rear perspective view thereof;  
FIG. 3 is a front view thereof;  
FIG. 4 is a rear view thereof;  
FIG. 5 is a right side view thereof; and  
FIG. 6 is a left side view thereof;  
FIG. 7 is a top view thereof;  
FIG. 8 is a bottom view thereof;  
FIG. 9 is a first perspective view thereof with environmental  
elements illustrated in broken lines; and,  
FIG. 10 is a second perspective view thereof with environ-  
mental elements illustrated in broken lines.  
The broken lines are included for the purpose of illustrating  
environmental elements only and form no part of the  
claimed design.

(56) **References Cited**

**U.S. PATENT DOCUMENTS**

2,360,026 A \* 10/1944 Wall ..... A47J 37/0694  
126/337 R

**1 Claim, 10 Drawing Sheets**



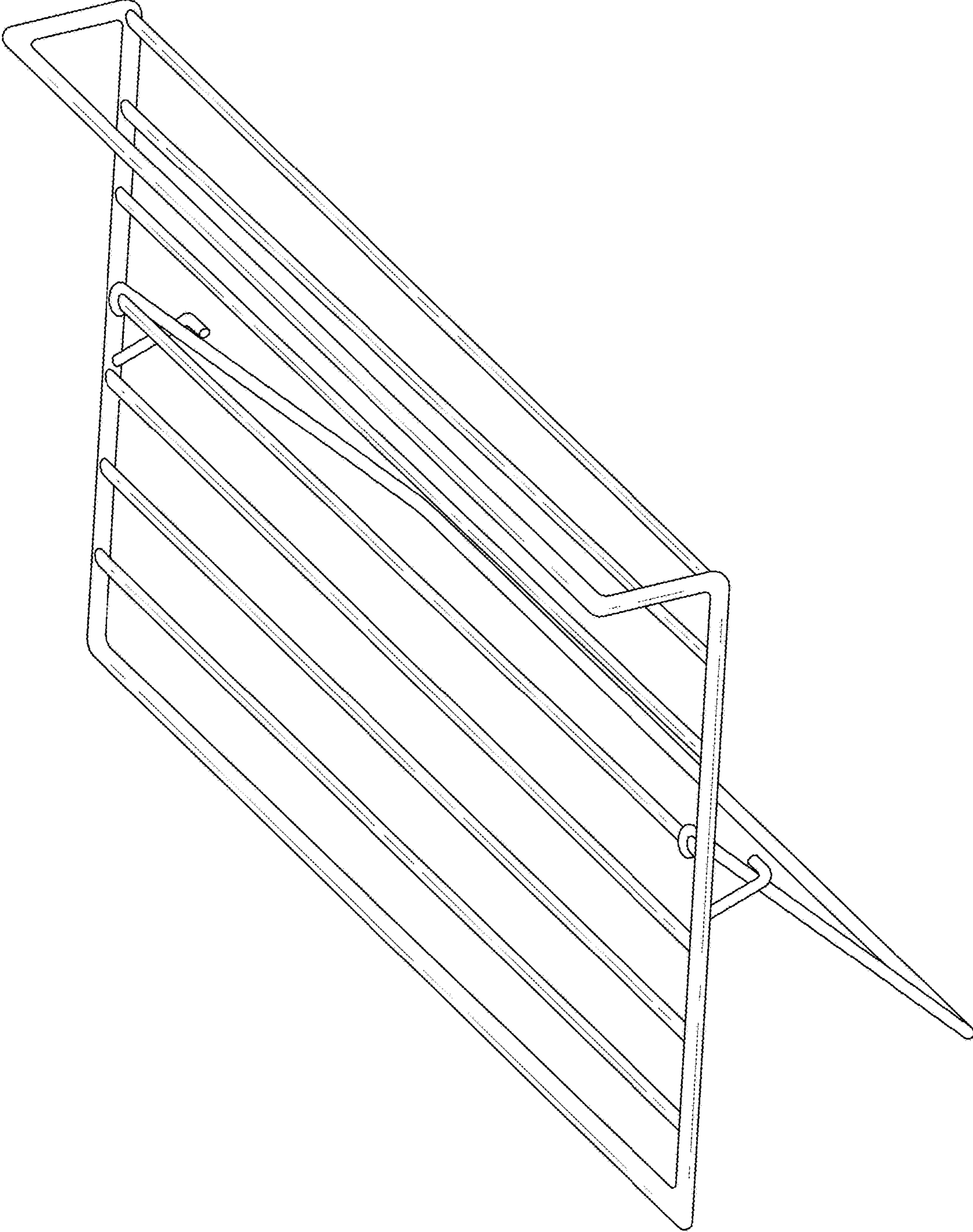


FIG. 1

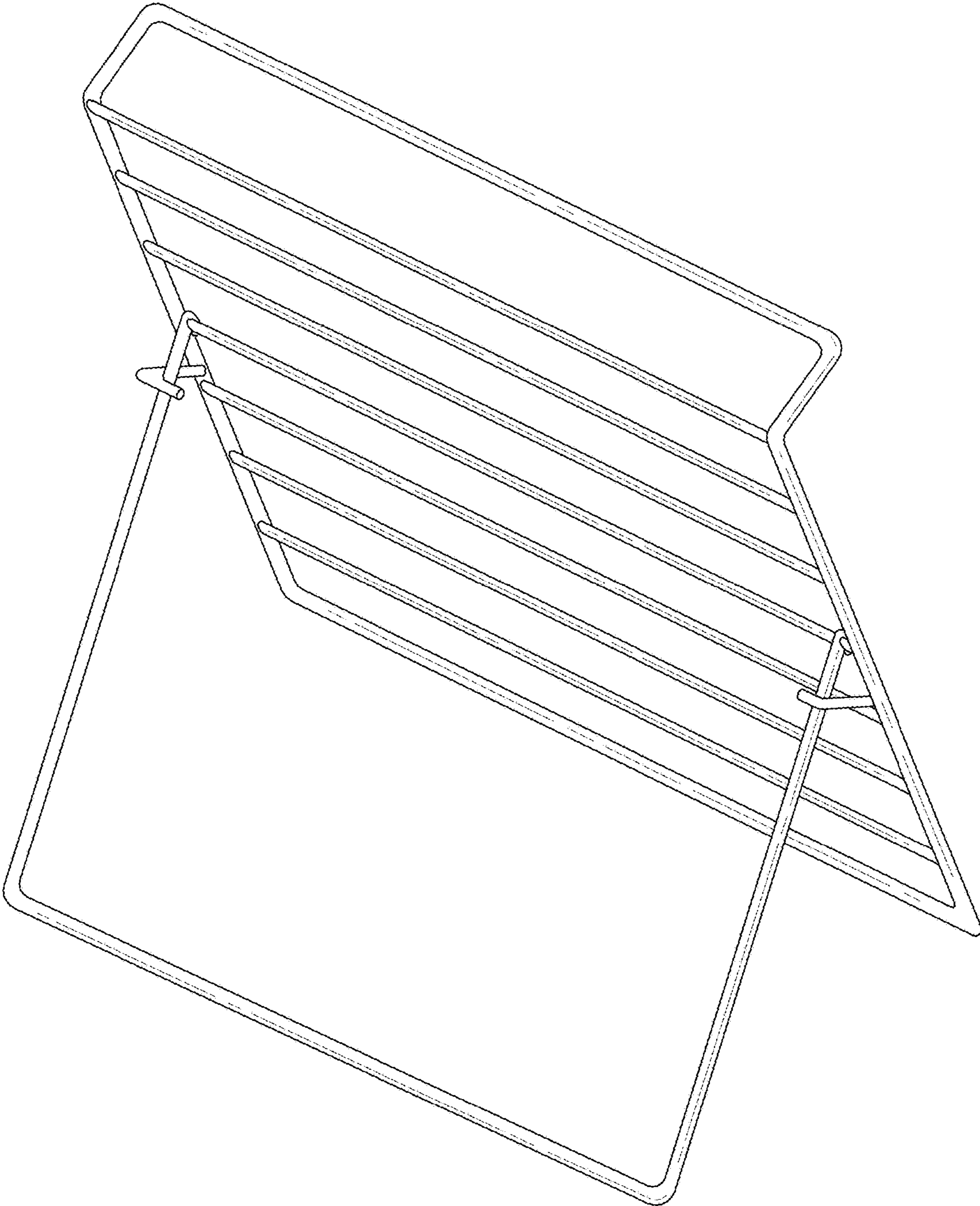


FIG. 2

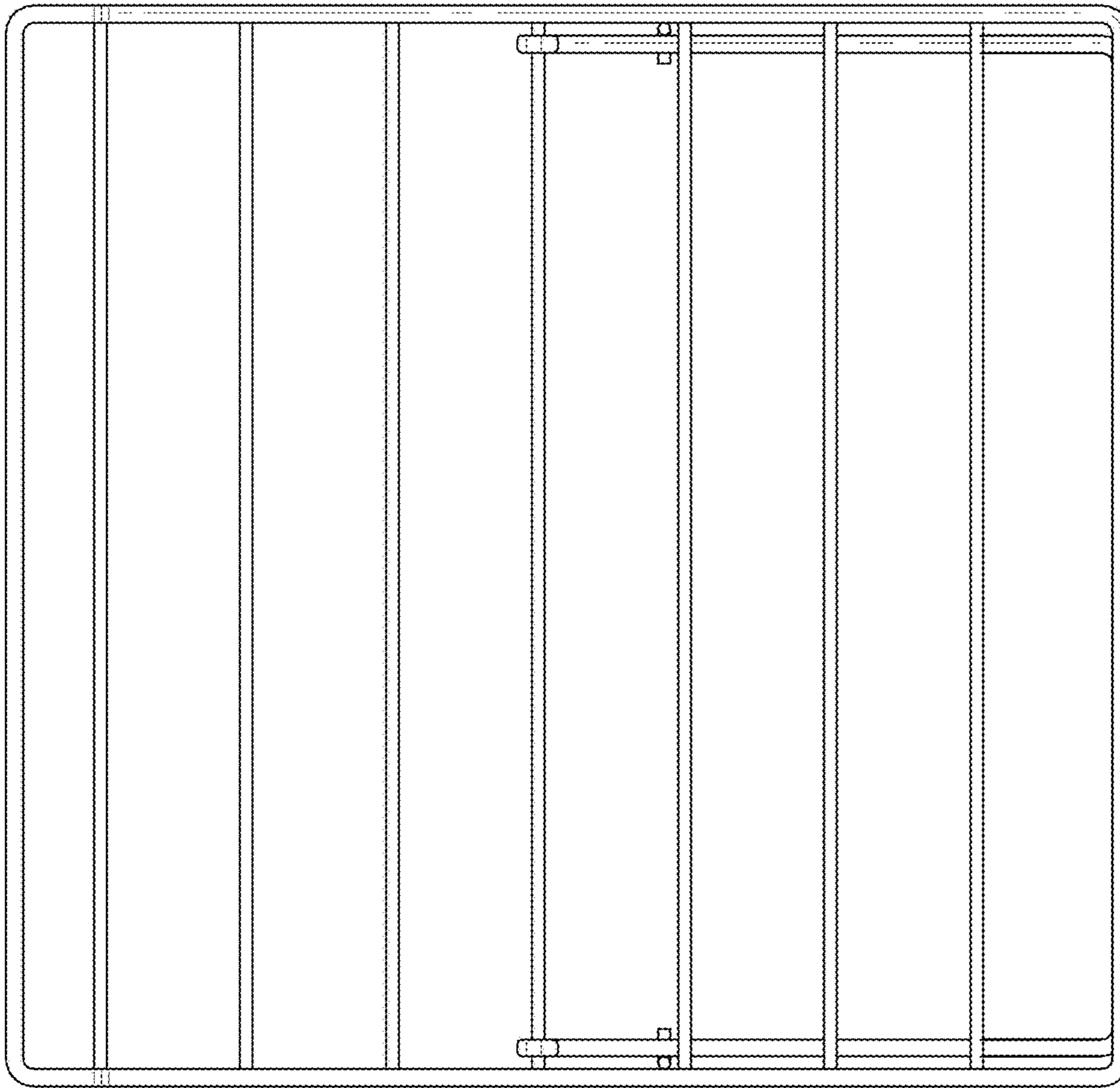


FIG. 3

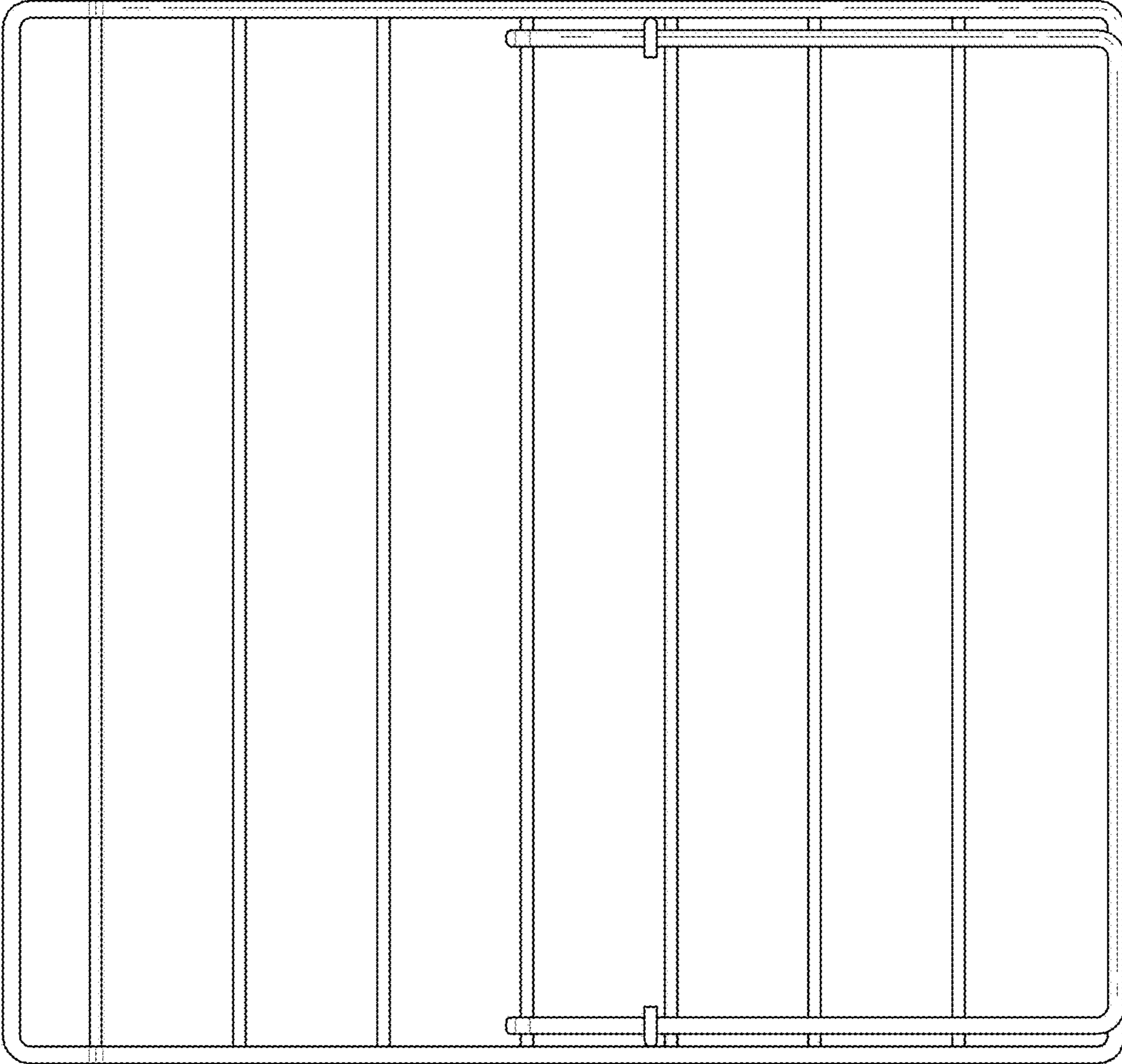
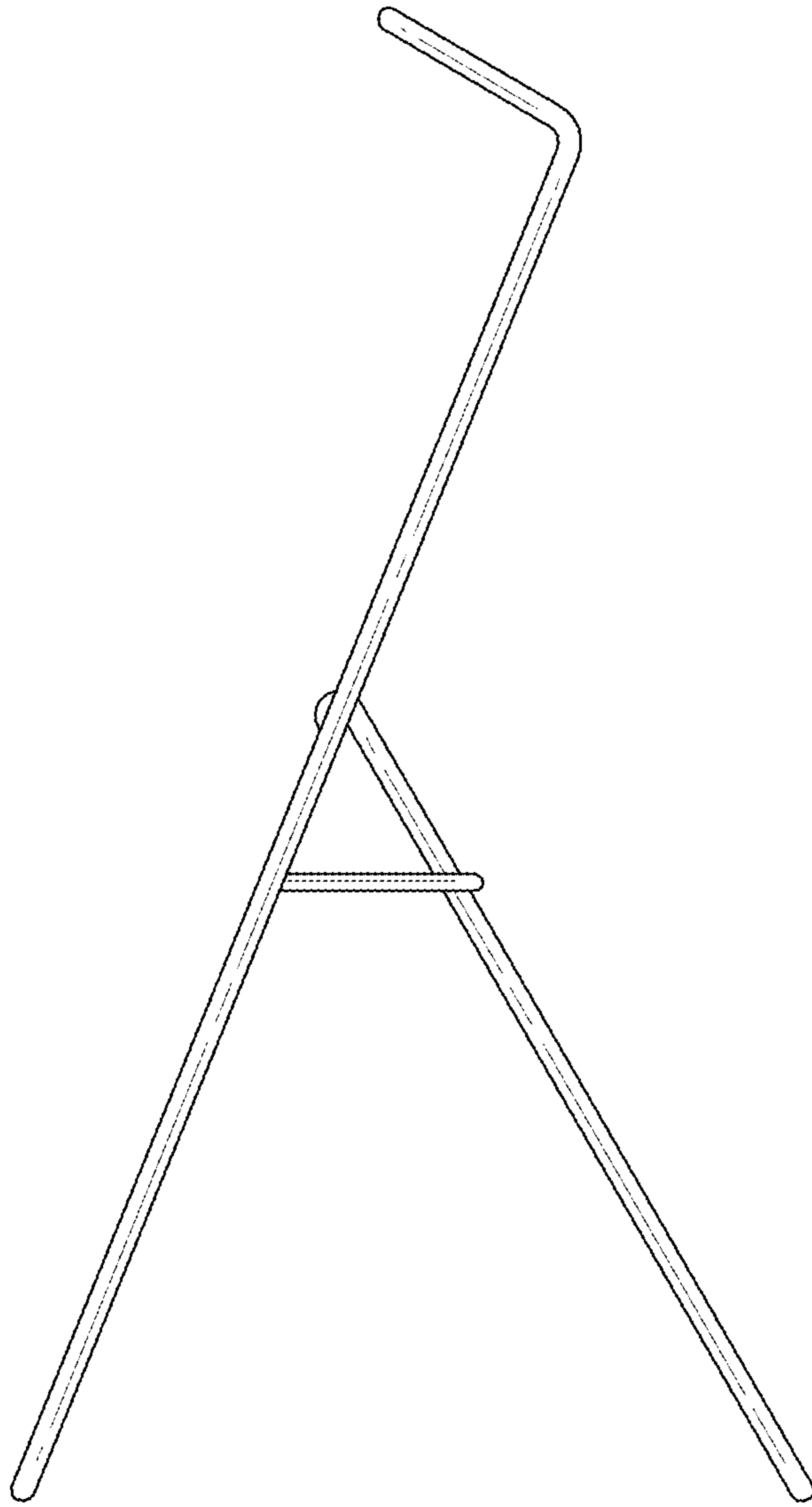
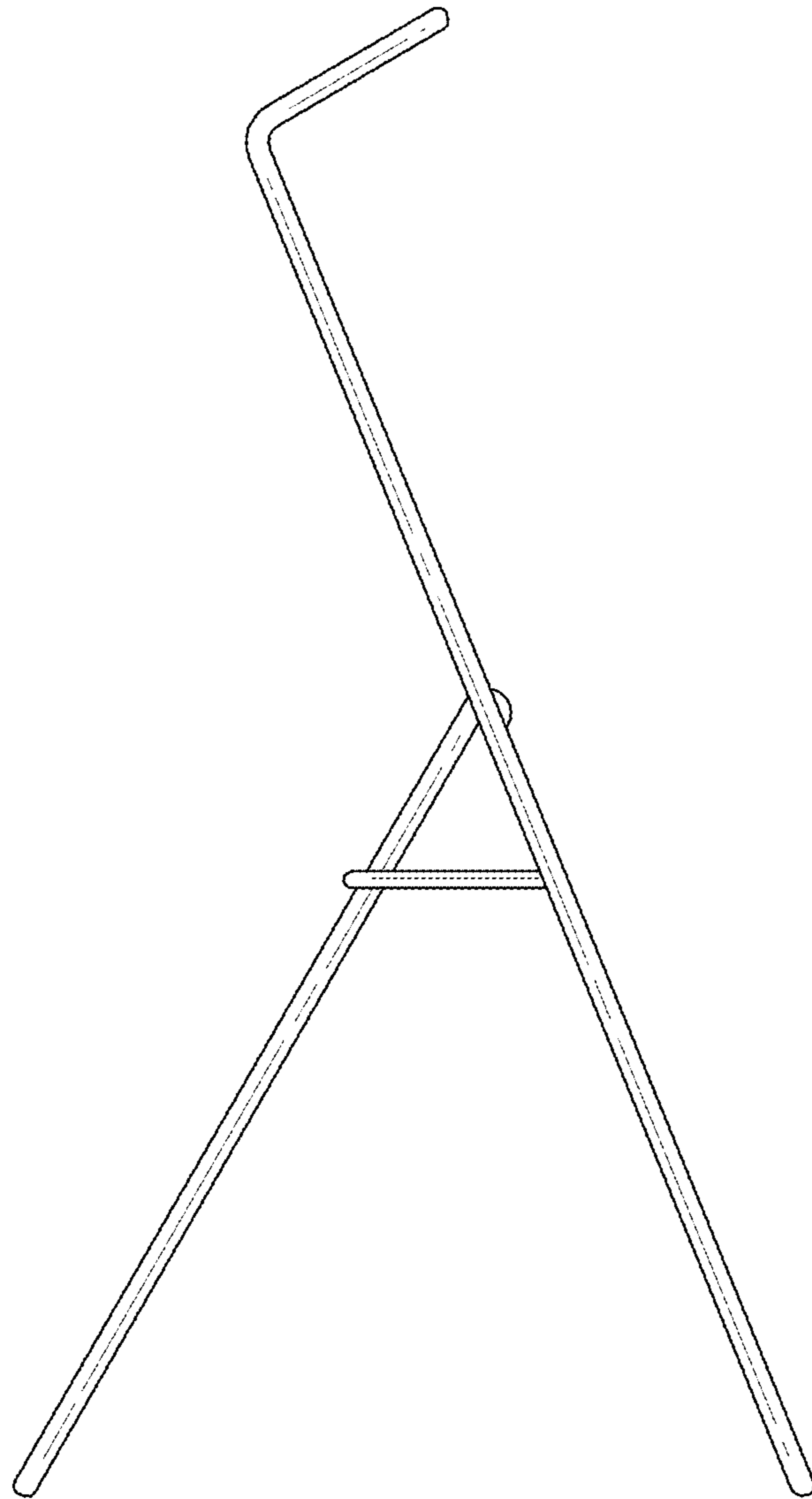


FIG. 4



*FIG. 5*



*FIG. 6*

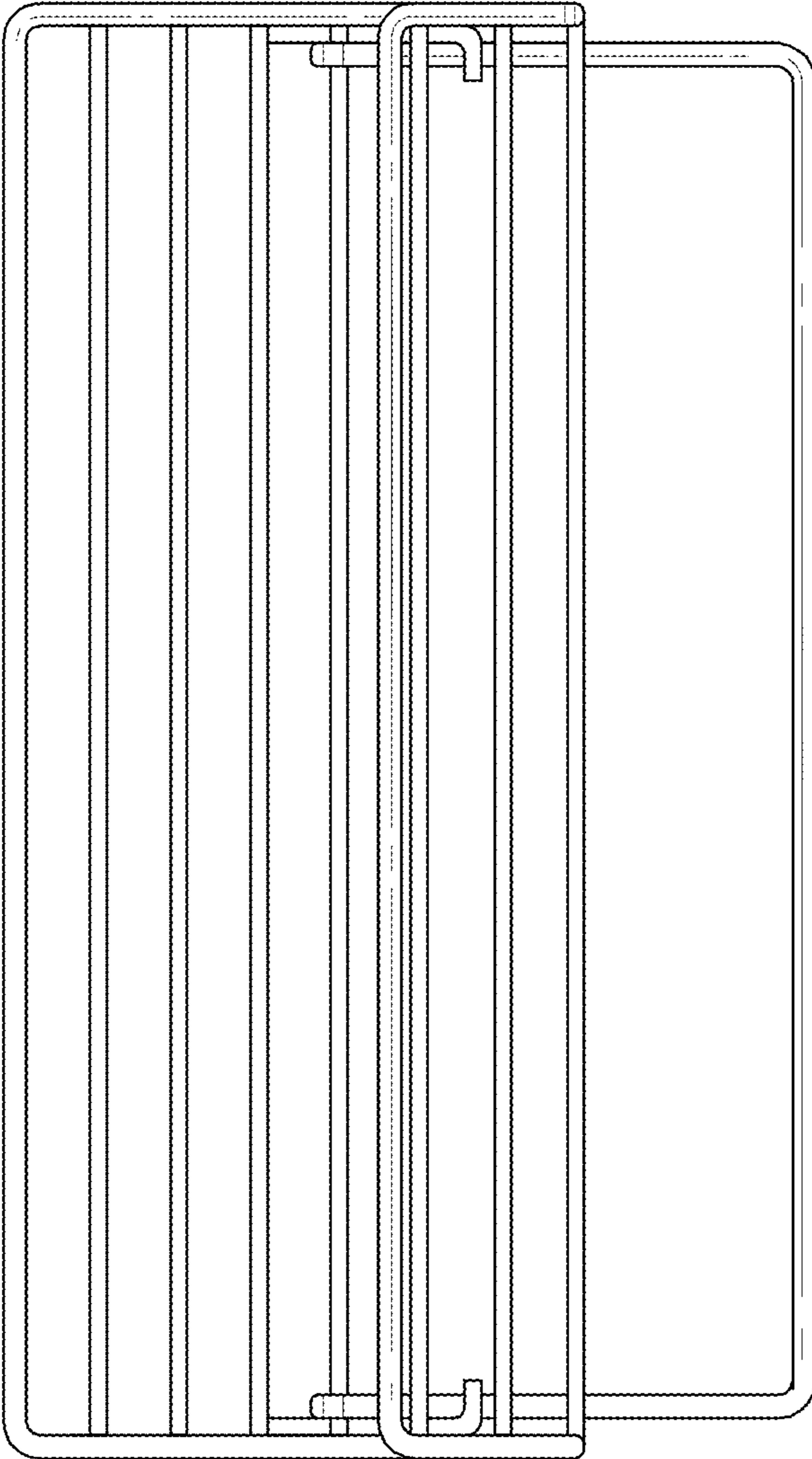


FIG. 7



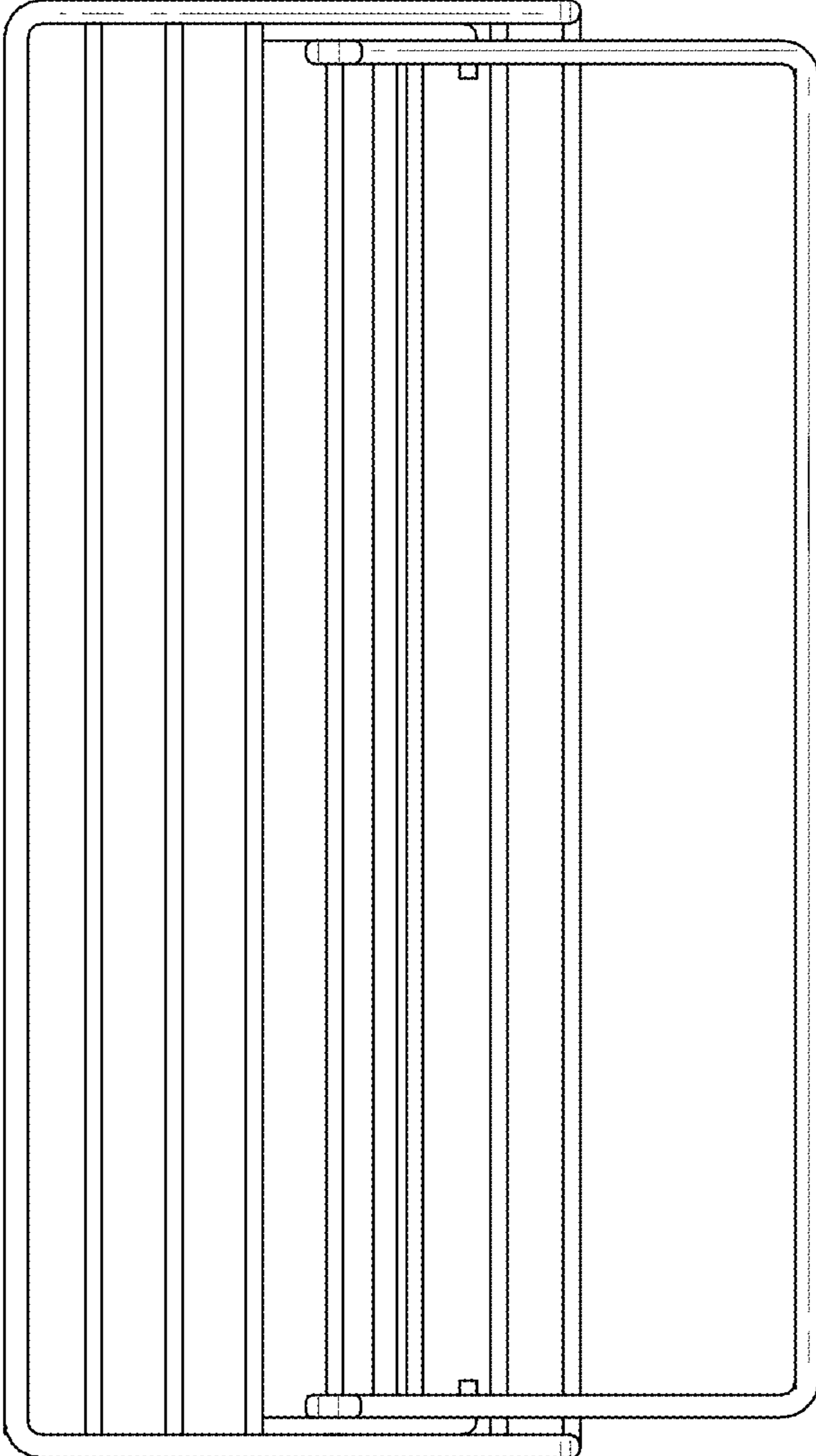


FIG. 8

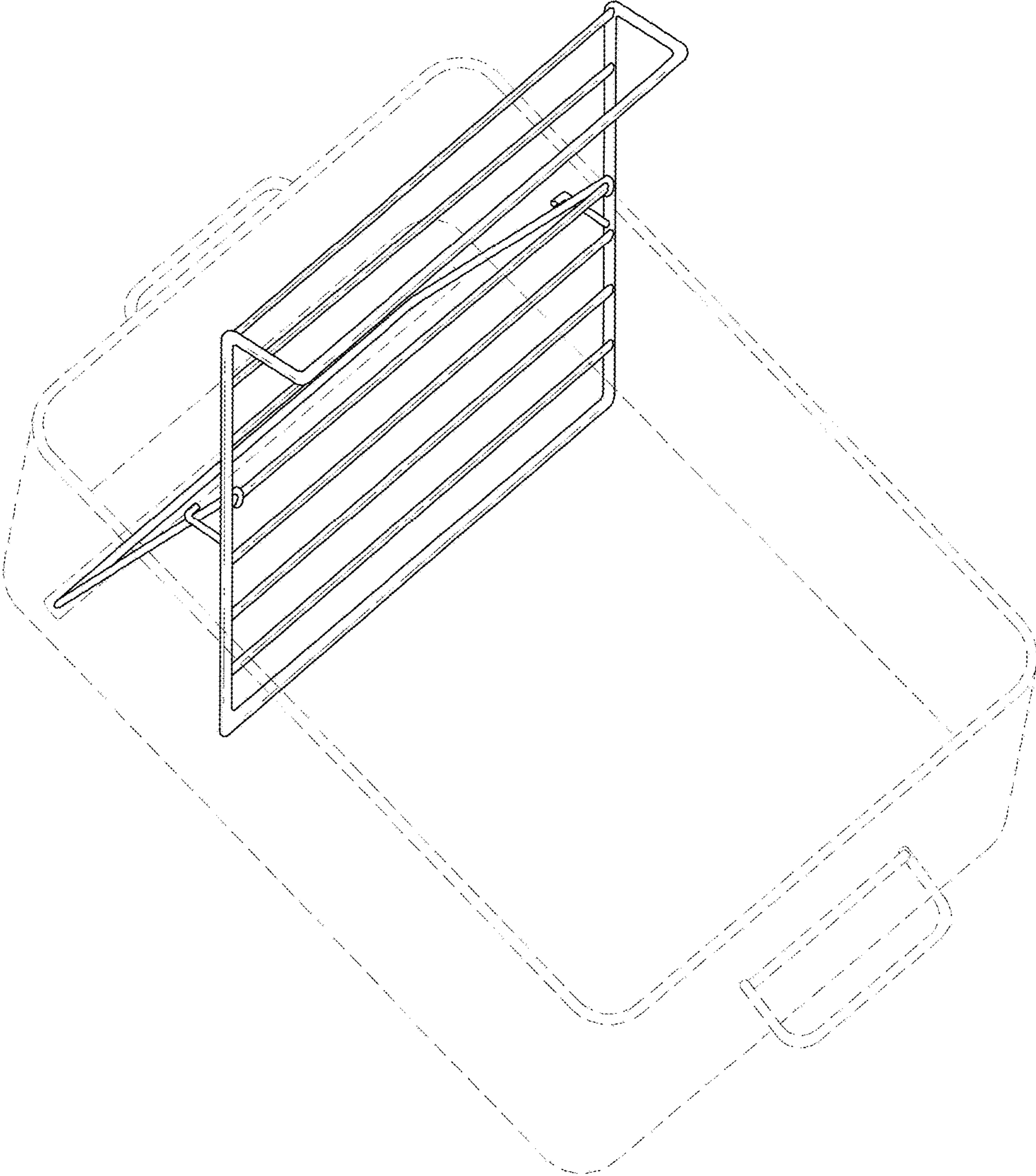


FIG. 9

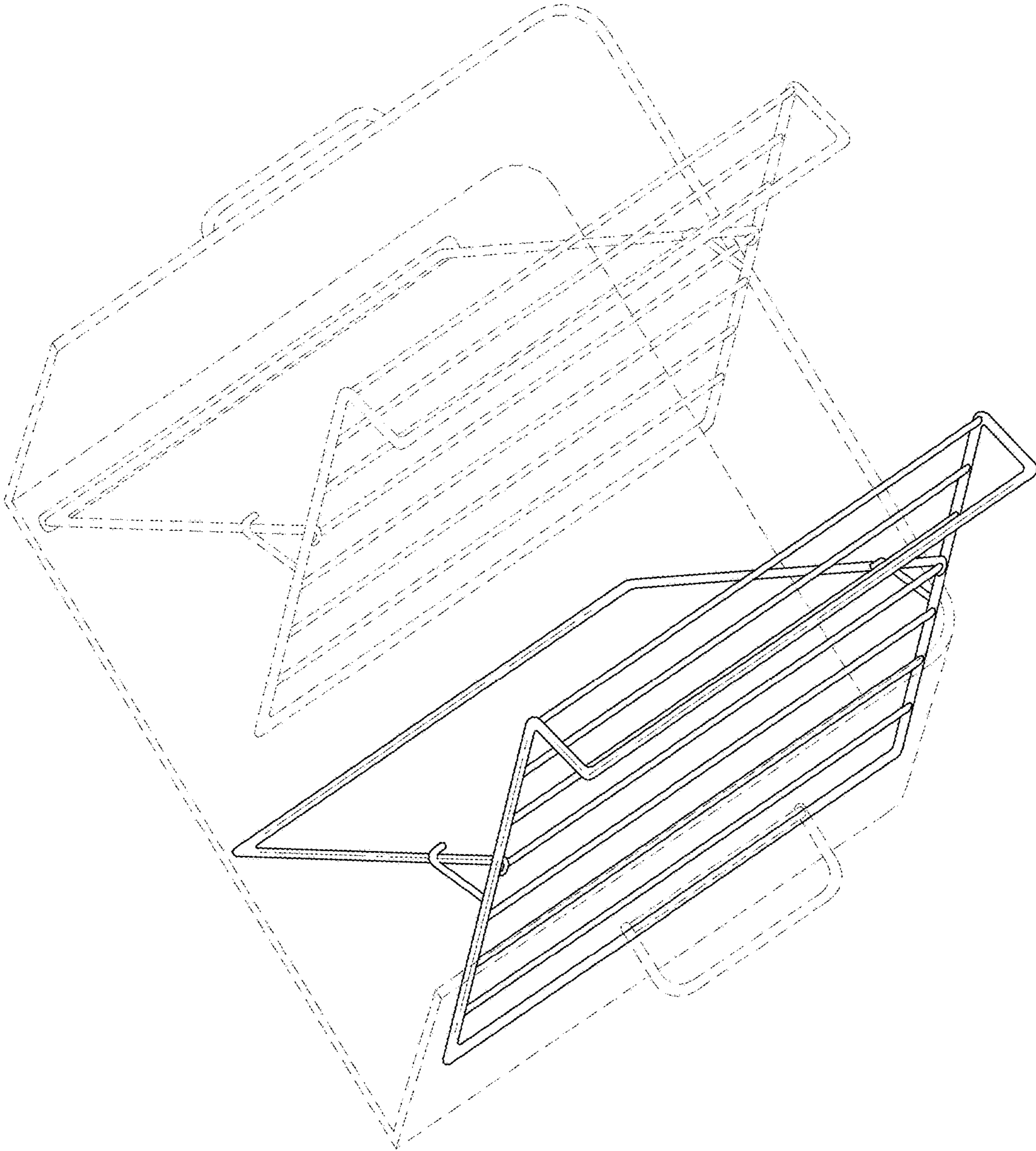


FIG. 10