



US00D775890S

(12) **United States Design Patent**
Gallagher

(10) **Patent No.:** **US D775,890 S**

(45) **Date of Patent:** **** Jan. 10, 2017**

- (54) **WATER BOTTLE DISPENSER BASE AND PIERCING TOOL HOLDER**
- (71) Applicant: **Kenneth John Gallagher**, Las Vegas, NV (US)
- (72) Inventor: **Kenneth John Gallagher**, Las Vegas, NV (US)
- (**) Term: **15 Years**
- (21) Appl. No.: **29/560,235**
- (22) Filed: **Apr. 4, 2016**
- (51) **LOC (10) Cl.** **07-99**
- (52) **U.S. Cl.**
USPC **D7/397; D7/622; D7/400**
- (58) **Field of Classification Search**
USPC D7/619.1, 624.1, 704, 397, 622, 620, D7/602, 399, 400; 224/551; 220/743, 741; 215/396, 395; D9/443, 455, 434; D6/556
CPC A47G 23/0266; A47G 23/0258; A47G 23/0241
See application file for complete search history.

3,979,011 A *	9/1976	Schleicher	A47G 23/0266 220/287
4,071,175 A *	1/1978	Wagnon	B62J 11/00 224/414
D255,437 S *	6/1980	Allgood, II	D11/133
D279,836 S *	7/1985	Tanaka	D12/420
D283,578 S *	4/1986	Kawaguchi	D7/622
D289,726 S *	5/1987	Greutert	D7/310
D302,527 S *	8/1989	Spies	D7/622
D307,224 S *	4/1990	Mizukami	D7/619.1
D361,461 S *	8/1995	Linzenbold	D6/556
D371,279 S *	7/1996	Marguerie	D7/620
D395,238 S *	6/1998	Freitas	D9/455
D395,825 S *	7/1998	Freitas	D9/455
D440,458 S *	4/2001	Ohu	D7/300
D593,859 S *	6/2009	Barnum	D7/622
D663,579 S *	7/2012	Yang	D7/300
D690,992 S *	10/2013	Ball	D7/399
D760,618 S *	7/2016	Yatsugi-Kang	D11/43

* cited by examiner

Primary Examiner — Marianne Pandozzi

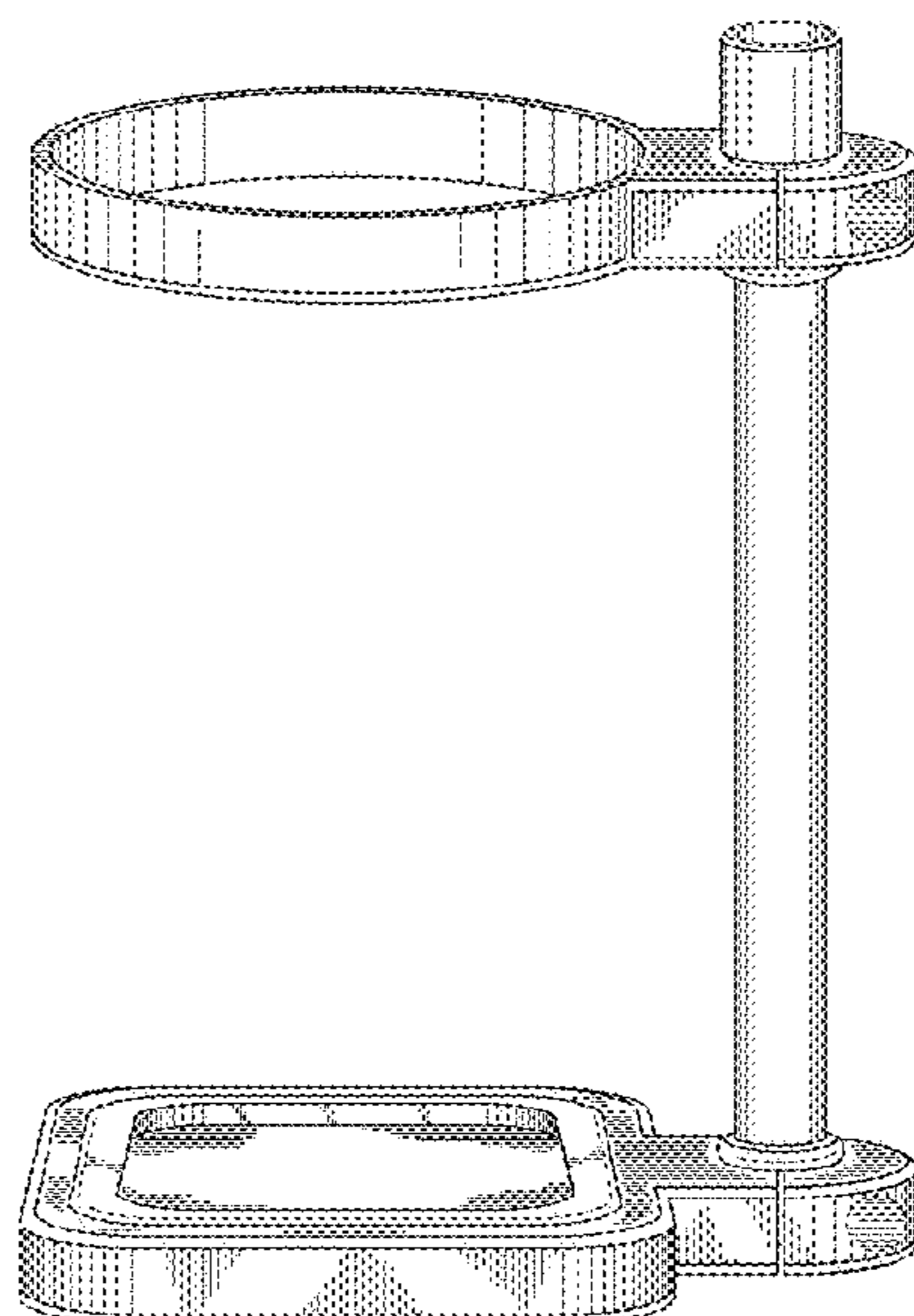
(57) **CLAIM**

The ornamental design for a water bottle dispenser base and piercing tool holder, as shown.

DESCRIPTION

FIG. 1 is a left side perspective view of an water bottle dispenser base and piercing tool holder showing my new design;
 FIG. 2 is a right side perspective view thereof;
 FIG. 3—is a top plan view thereof;
 FIG. 4—is a bottom plan view thereof;
 FIG. 5—is a right side elevational view thereof;
 FIG. 6—is a front elevational view thereof;
 FIG. 7—is a rear elevational view thereof;
 FIG. 8—is a left side elevational view thereof; and,
 FIG. 9 is an exploded right side perspective view thereof.

1 Claim, 3 Drawing Sheets



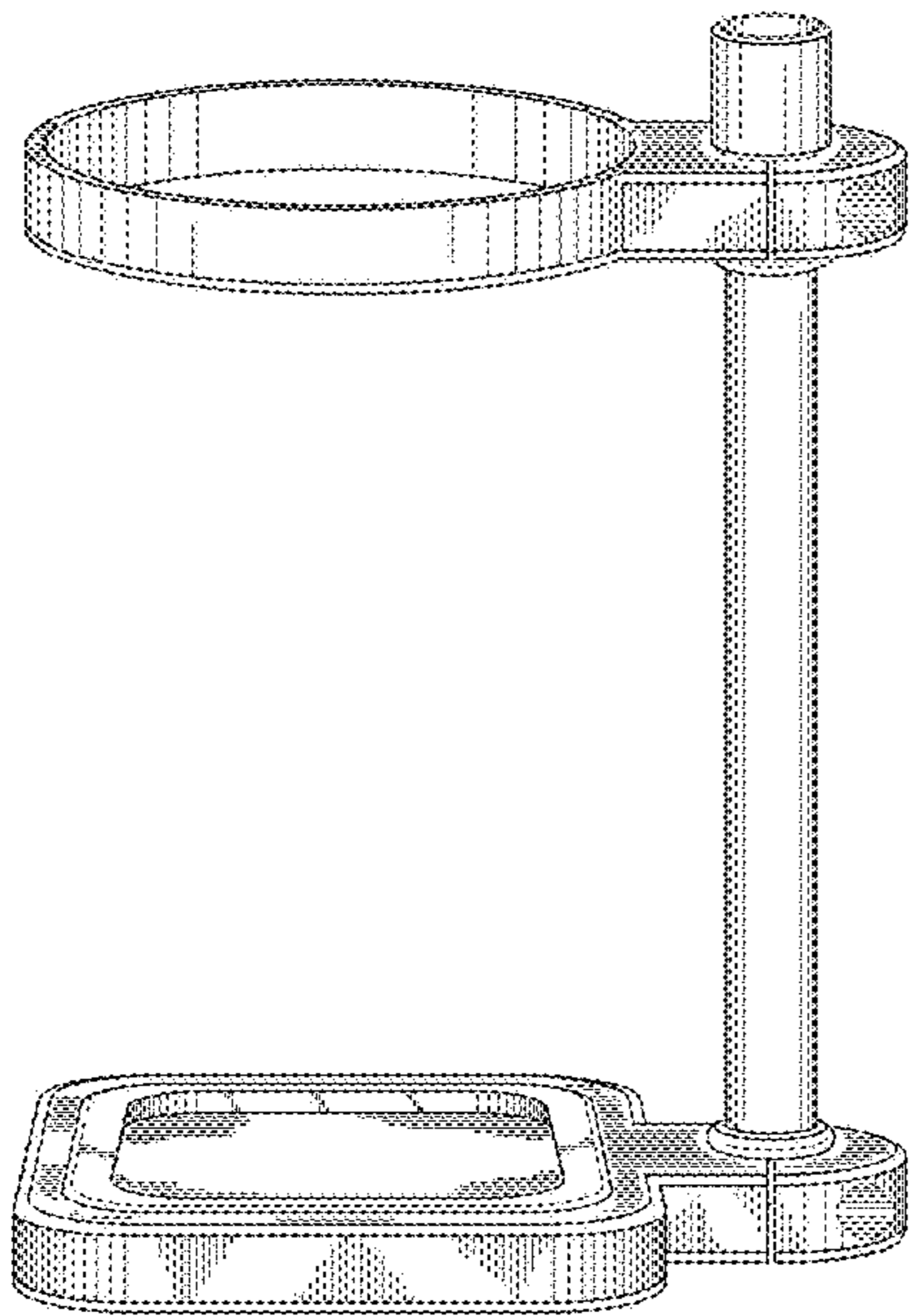


FIG. 1

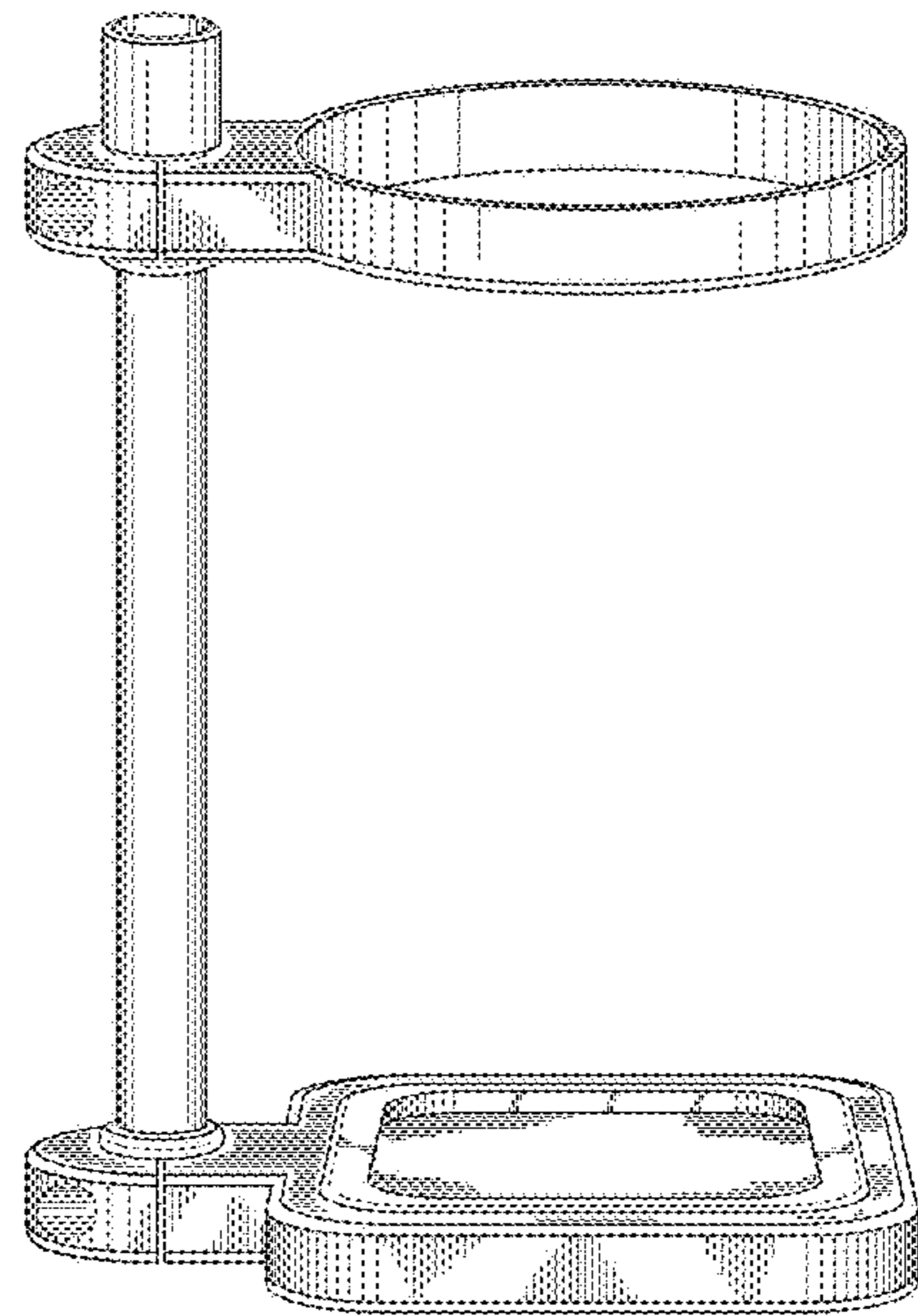


FIG. 2

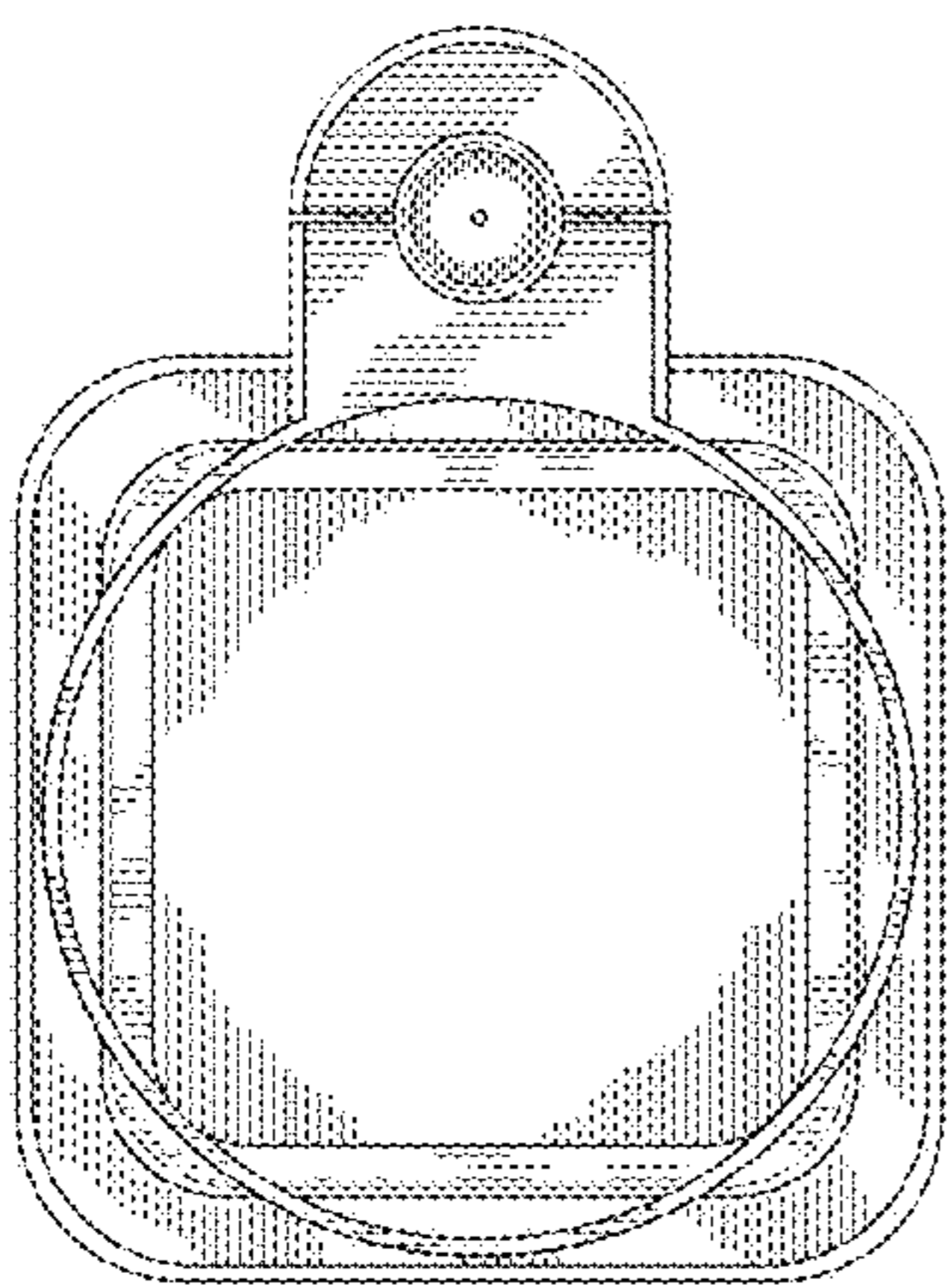


FIG. 3

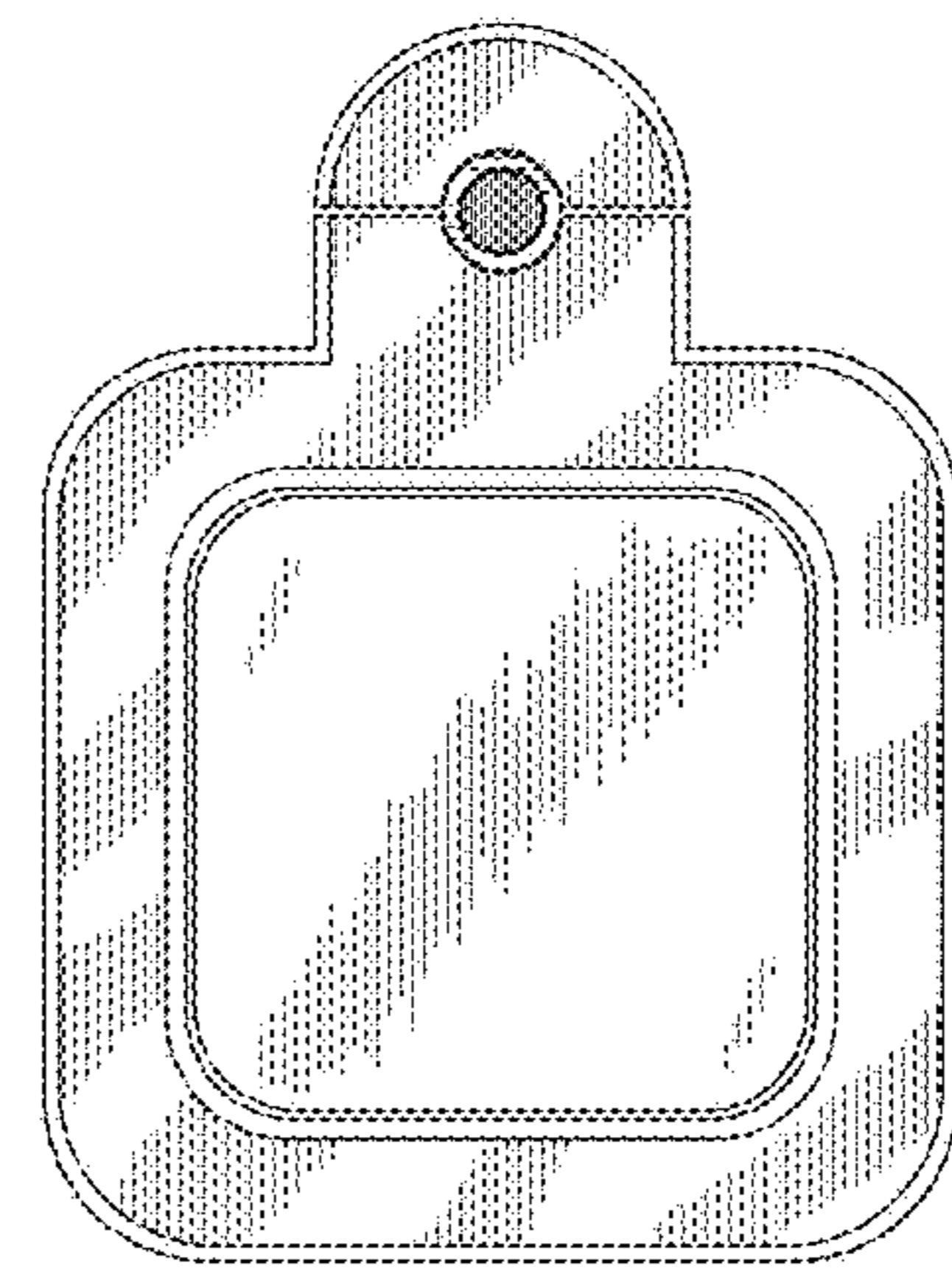


FIG. 4

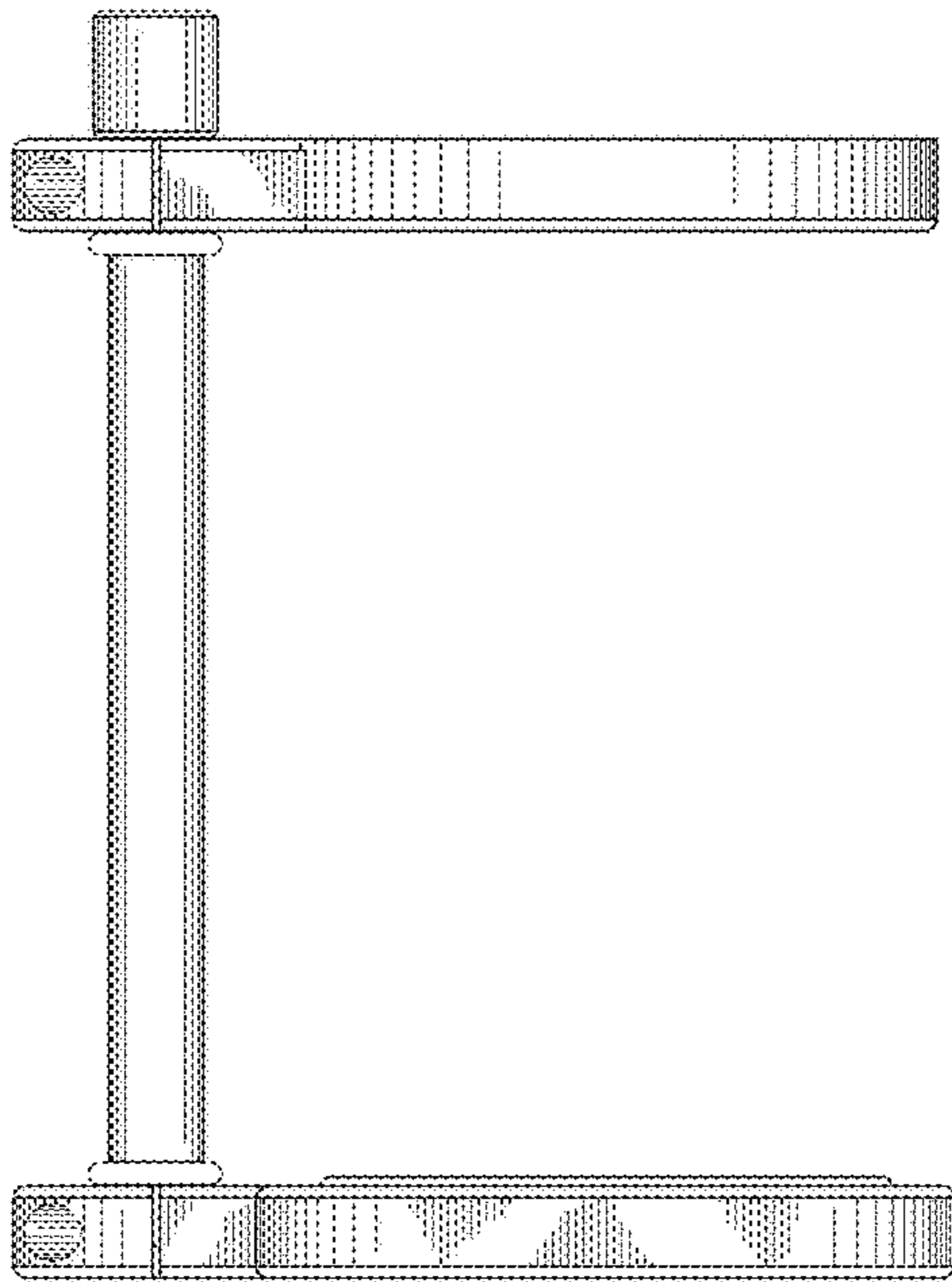


FIG. 5

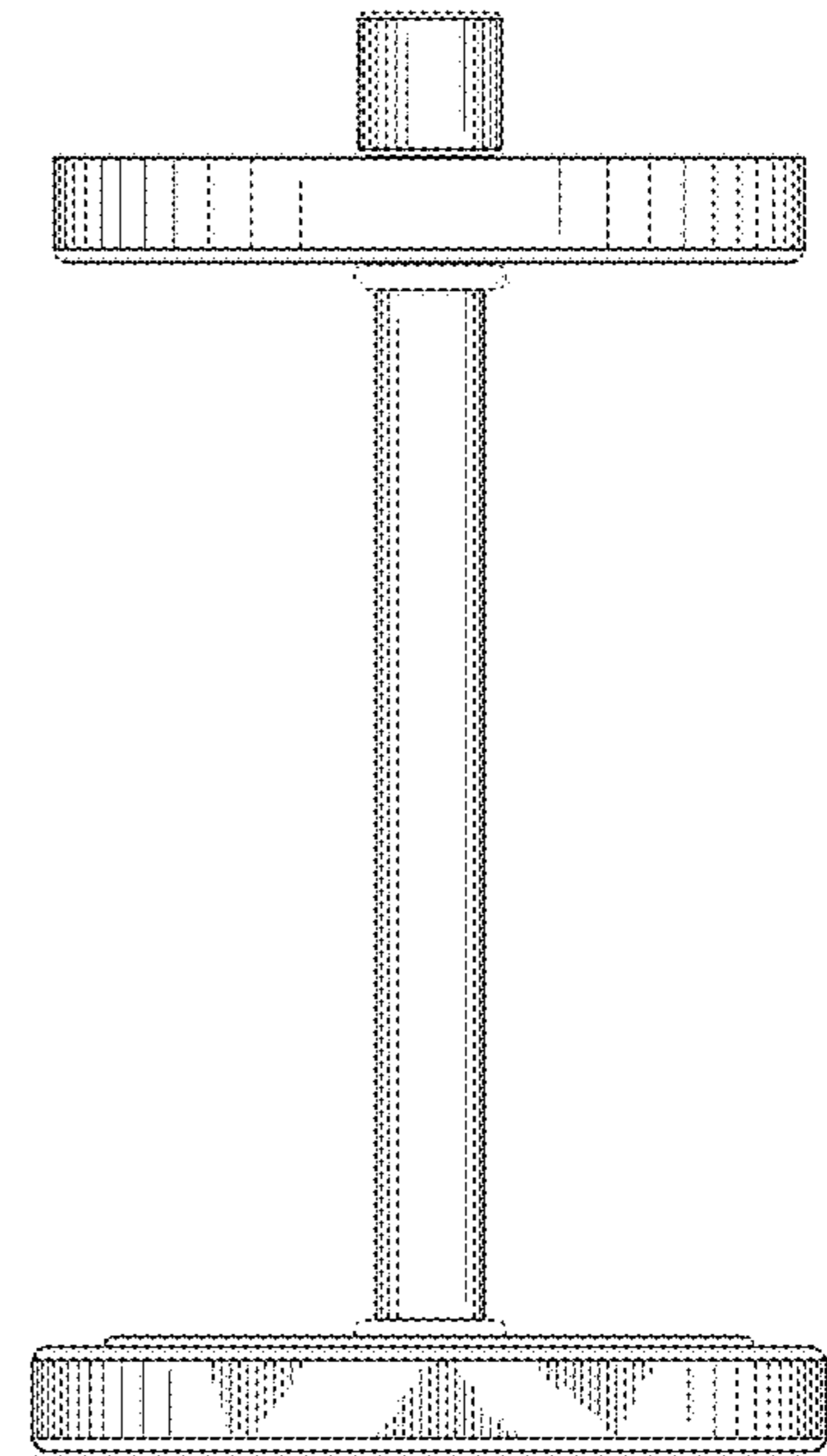


FIG. 6

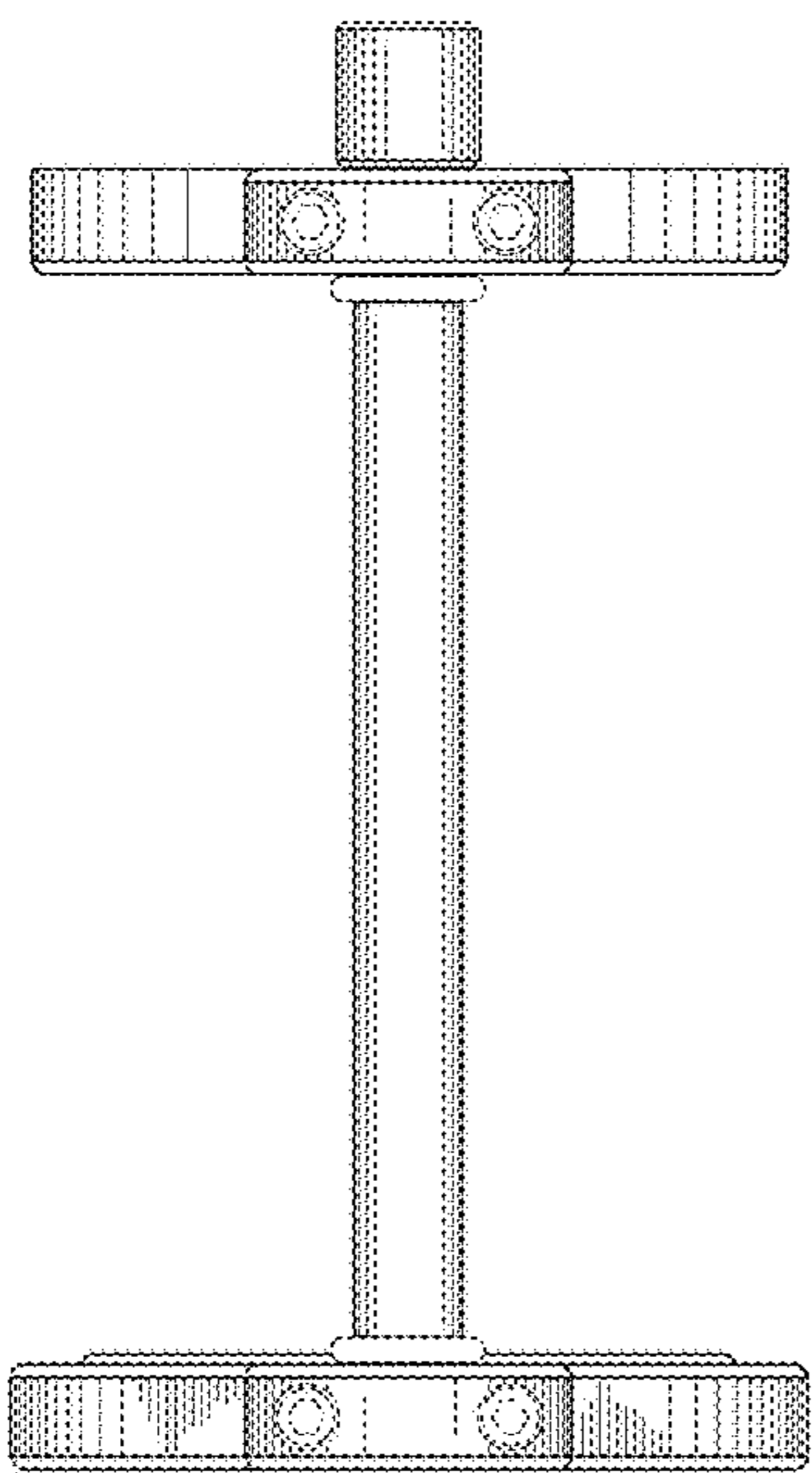


FIG. 7

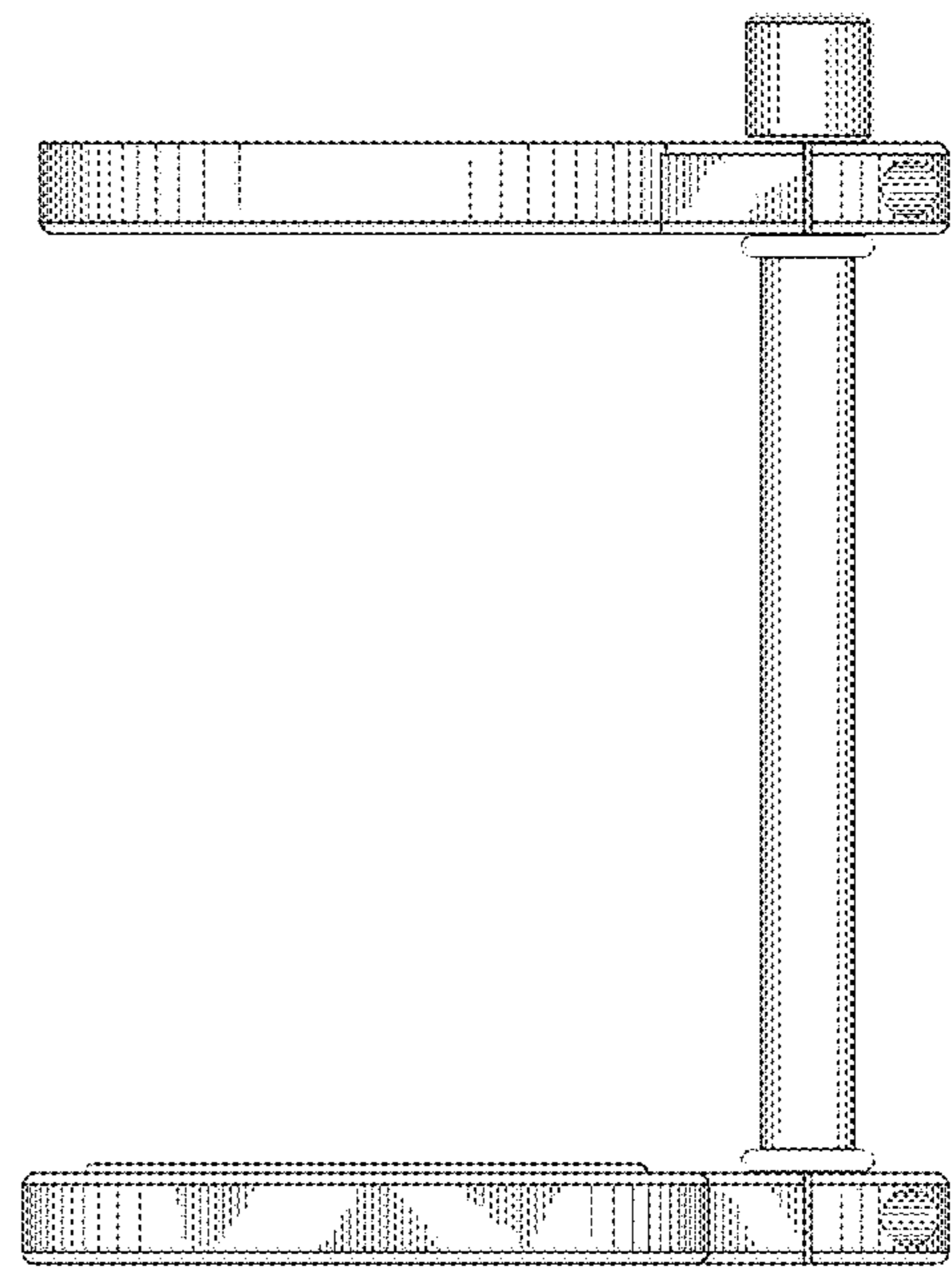


FIG. 8

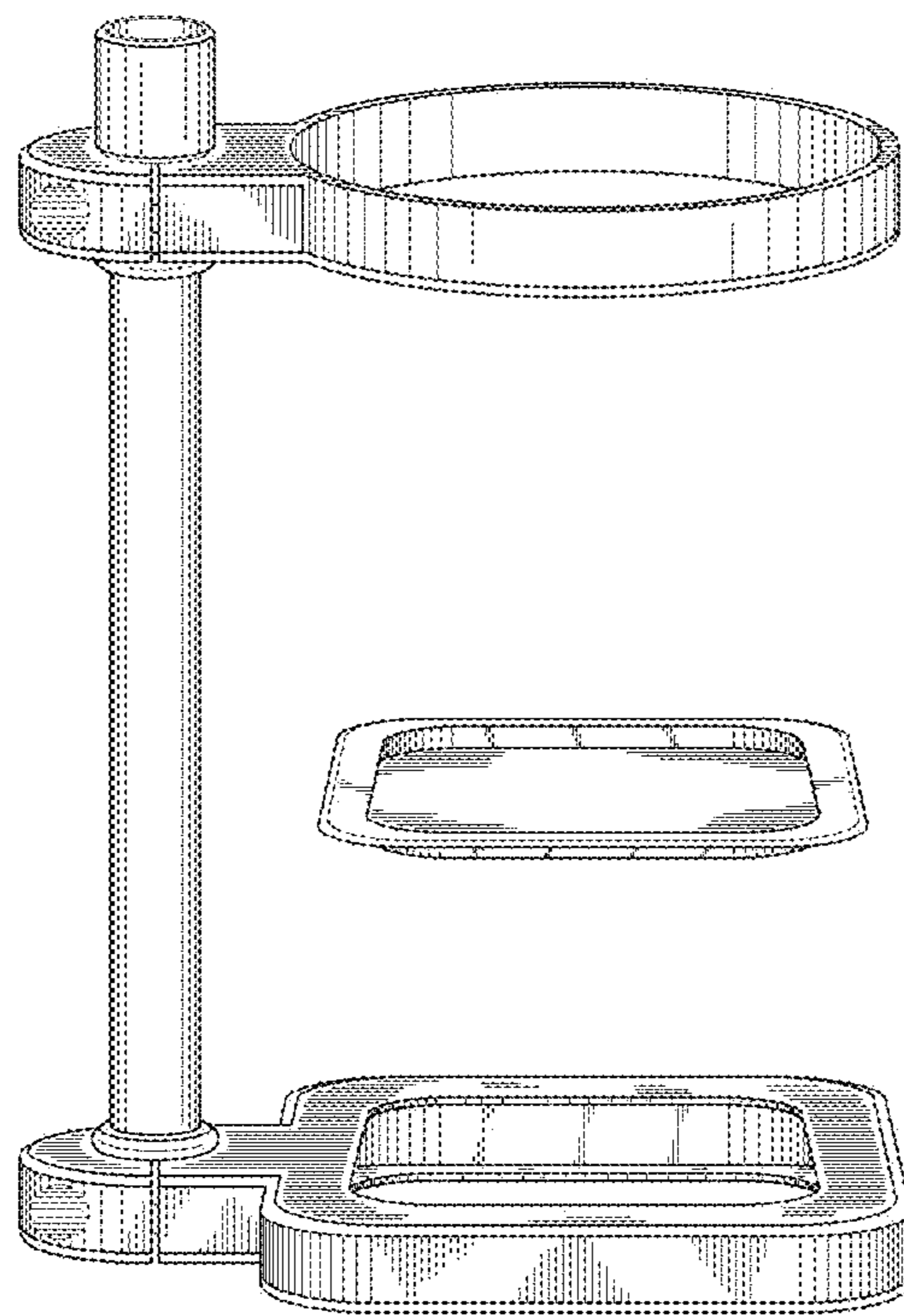


FIG. 9