



US00D775888S

(12) **United States Design Patent**
Kim

(10) **Patent No.:** **US D775,888 S**

(45) **Date of Patent:** **** Jan. 10, 2017**

(54) **GAS BURNER**

(71) Applicant: **KOVEA CO., LTD.**, Bucheon-si (KR)

(72) Inventor: **Sang Hyun Kim**, Incheon (KR)

(73) Assignee: **KOVEA CO., LTD.** (KR)

(**) Term: **14 Years**

(21) Appl. No.: **29/524,056**

(22) Filed: **Apr. 16, 2015**

(30) **Foreign Application Priority Data**

Oct. 28, 2014 (KR) 30-2014-0051506

(51) **LOC (10) Cl.** **07-02**

(52) **U.S. Cl.**
USPC **D7/337; D7/362**

(58) **Field of Classification Search**
USPC D7/332-337, 402, 323, 327, 339-341,
D7/403, 347, 348, 350.1, 407, 362, 352,
D7/363, 367; D34/12, 17, 19, 20;
D23/286
CPC A47J 37/0704; A47J 37/0786; A47J 37/0763;
A47J 37/0713; A47J 37/0781; A47J
2037/0777; A47J 33/00; F24C 3/14; F24C
7/10; F24C 15/18; F24C 15/12; F24C
5/20; F24B 1/207; F23D 14/06; F23D
14/26

See application file for complete search history.

(56) **References Cited**

U.S. PATENT DOCUMENTS

D244,664 S * 6/1977 Monnet D7/337
D252,971 S * 9/1979 Ito D7/337
4,899,723 A * 2/1990 Pajares F24C 1/04
126/39 BA
D336,008 S * 6/1993 Kamata D7/362

D350,256 S * 9/1994 Wang D7/362
D369,509 S * 5/1996 Kaga D7/362
6,089,218 A * 7/2000 Mifune F17C 7/04
126/38
D502,840 S * 3/2005 Schulte D7/337
D544,291 S * 6/2007 Kong D7/337
D614,436 S * 4/2010 Chung D7/337
D683,999 S * 6/2013 Karlsson D7/337
D724,371 S * 3/2015 Min D7/337
2015/0090246 A1 * 4/2015 Gravel F24C 5/20
126/43

* cited by examiner

Primary Examiner — Susan Bennett Hattan

Assistant Examiner — Brett Miller

(74) *Attorney, Agent, or Firm* — Cantor Colburn LLP

(57) **CLAIM**

The ornamental design for a gas burner, as shown and described.

DESCRIPTION

FIG. 1 is a perspective view showing a top, front and right side of a gas burner of my new design;
FIG. 2 is a front elevational view thereof;
FIG. 3 is a rear elevational view thereof;
FIG. 4 is a left side elevational view thereof;
FIG. 5 is a right side elevational view thereof;
FIG. 6 is a top plan view thereof;
FIG. 7 is a bottom plan view thereof;
FIG. 8 is another perspective view showing a top, rear and right side thereof;
FIG. 9 is another perspective view showing a top, front and left side thereof; and,
FIG. 10 is another perspective view showing a bottom, front and right side thereof.
The broken lines in the drawing views depict environment and form no part of the claimed design.

1 Claim, 10 Drawing Sheets

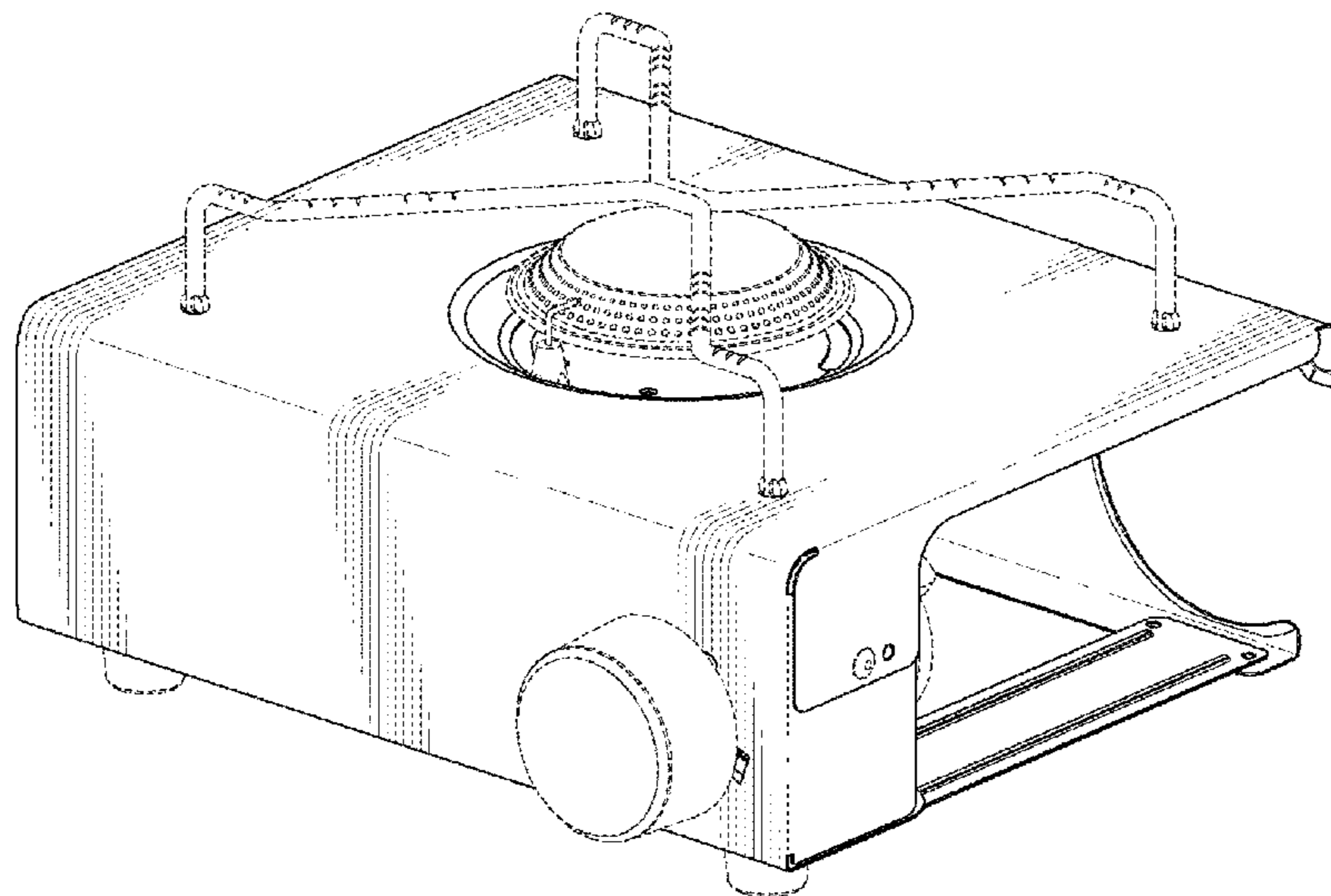


FIG. 1

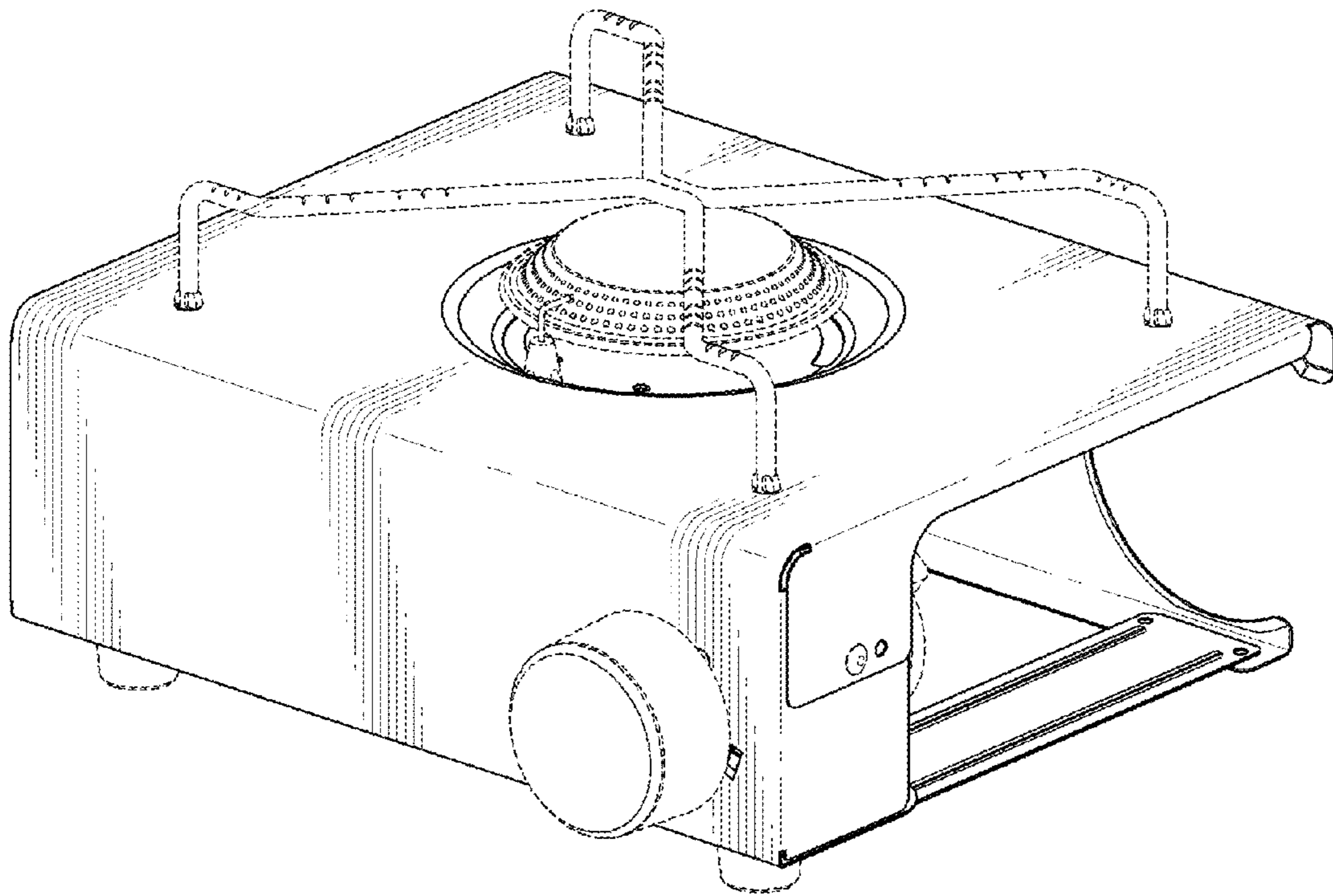


FIG. 2

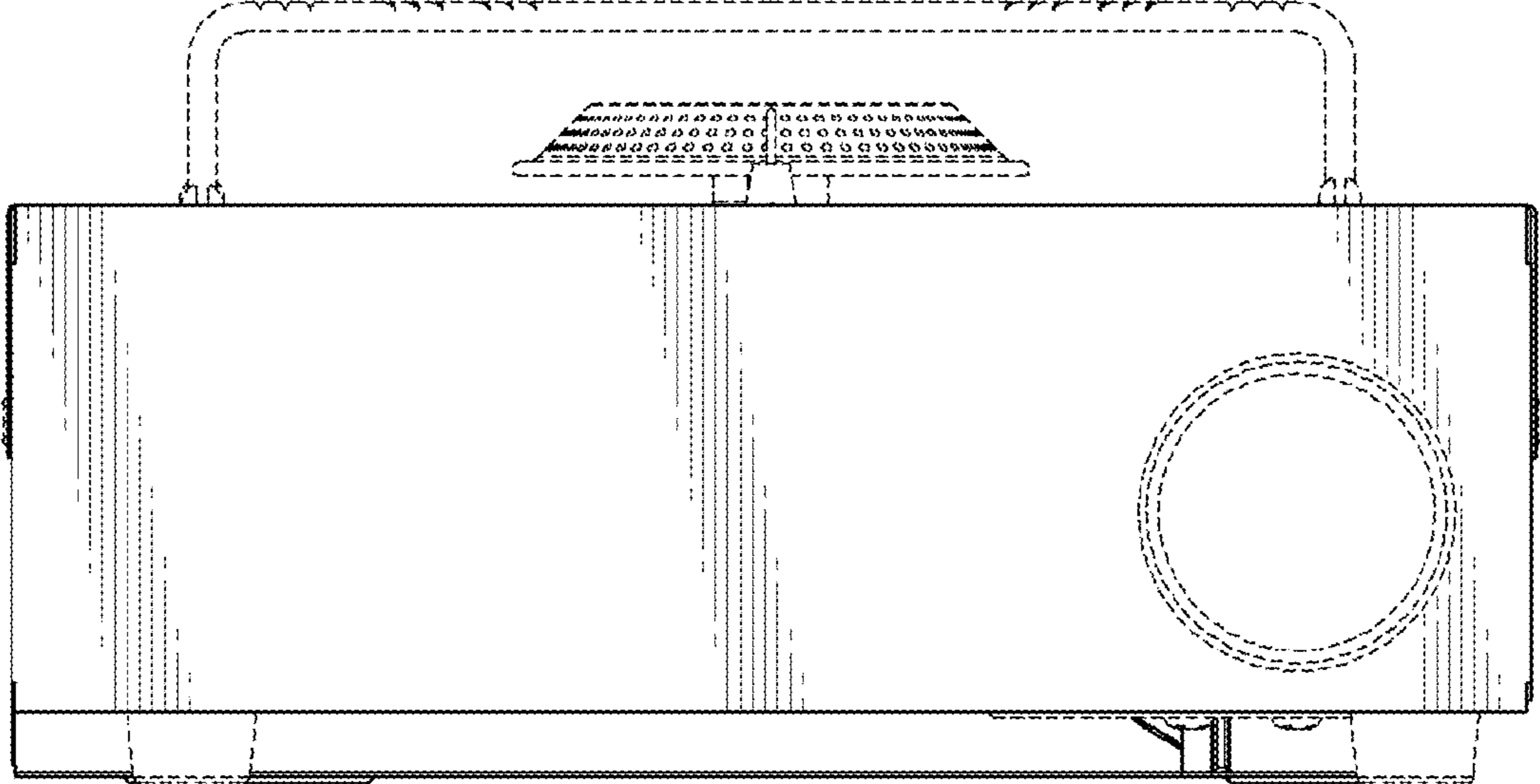


FIG. 3

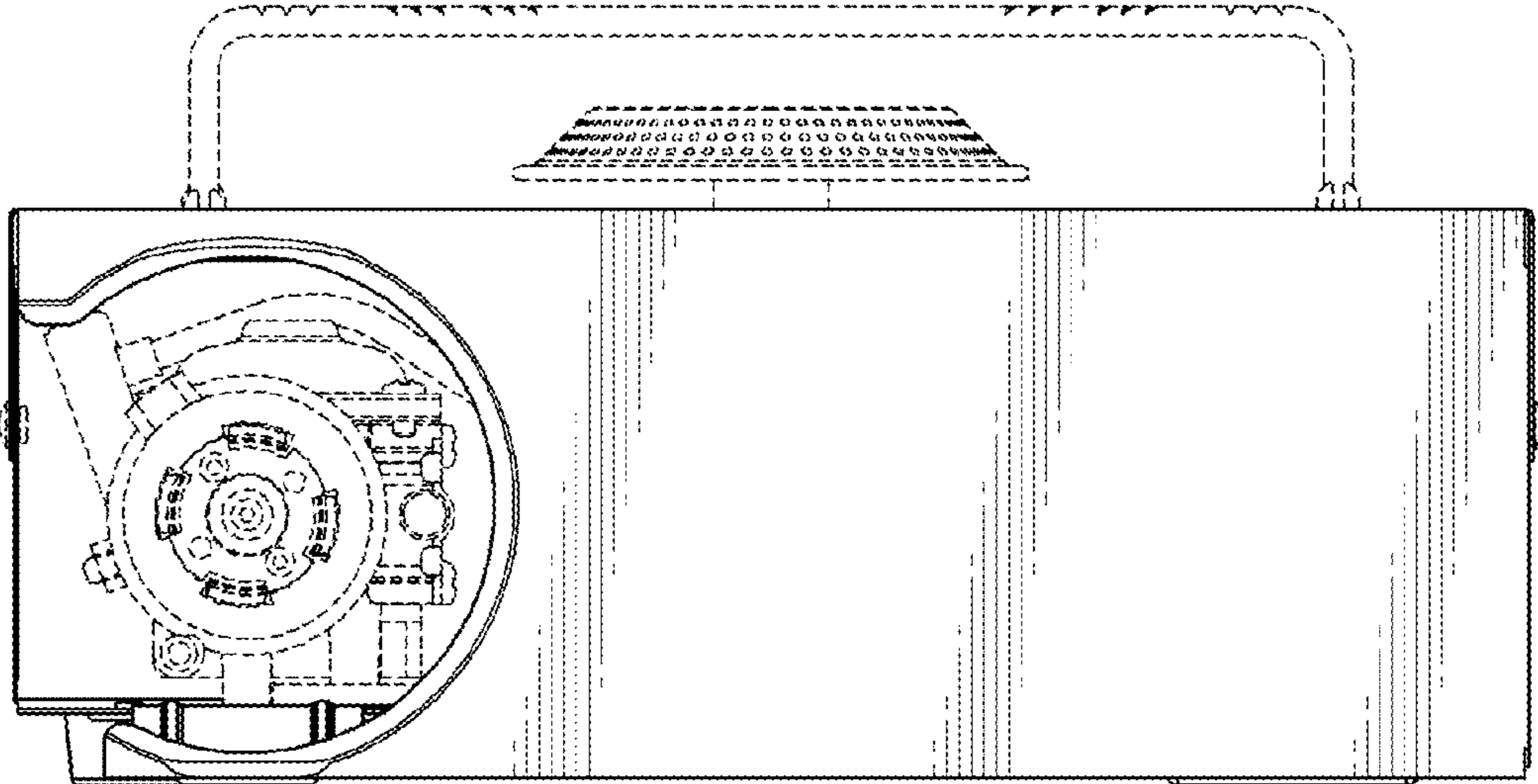


FIG. 4

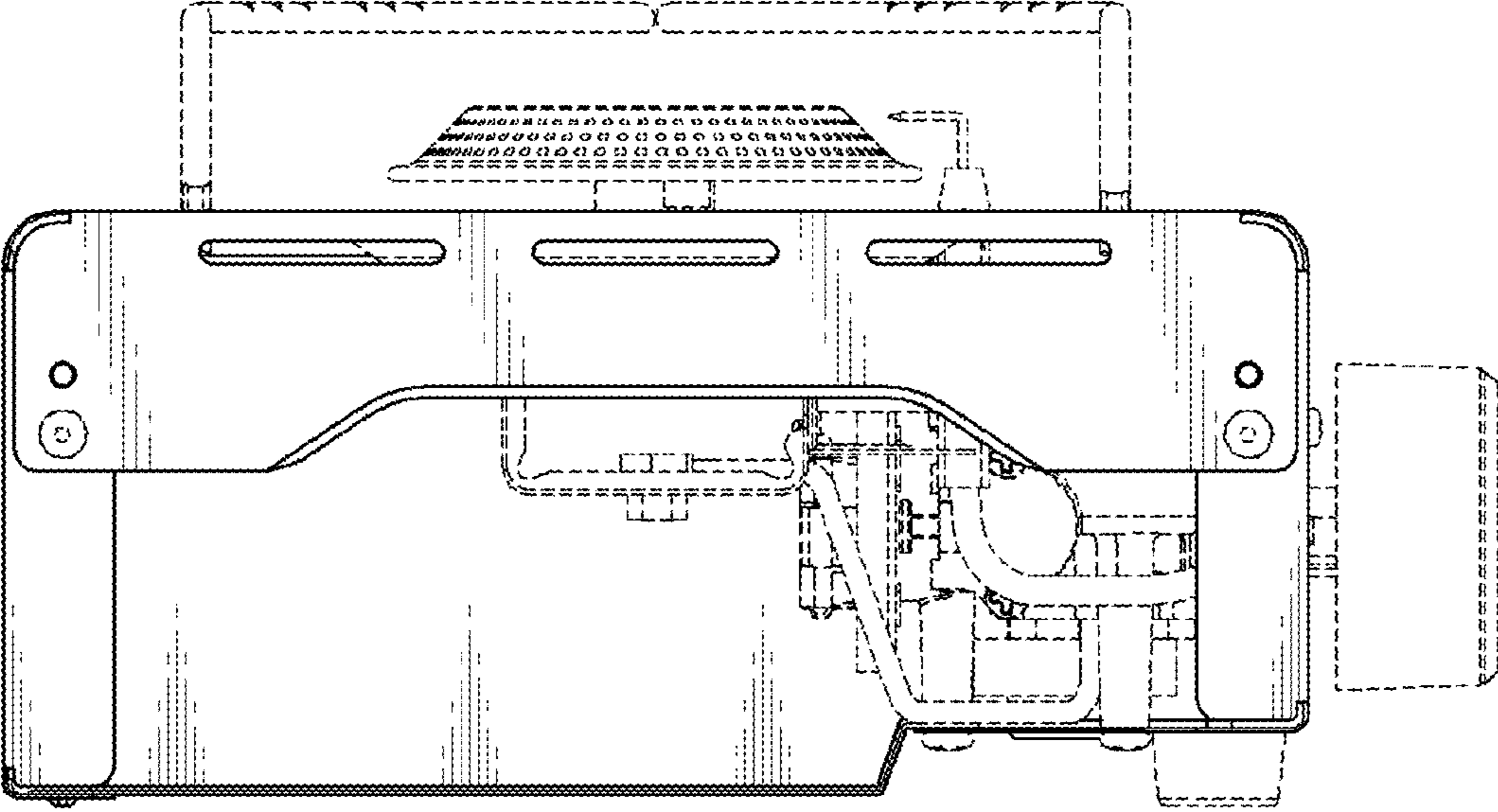


FIG. 5

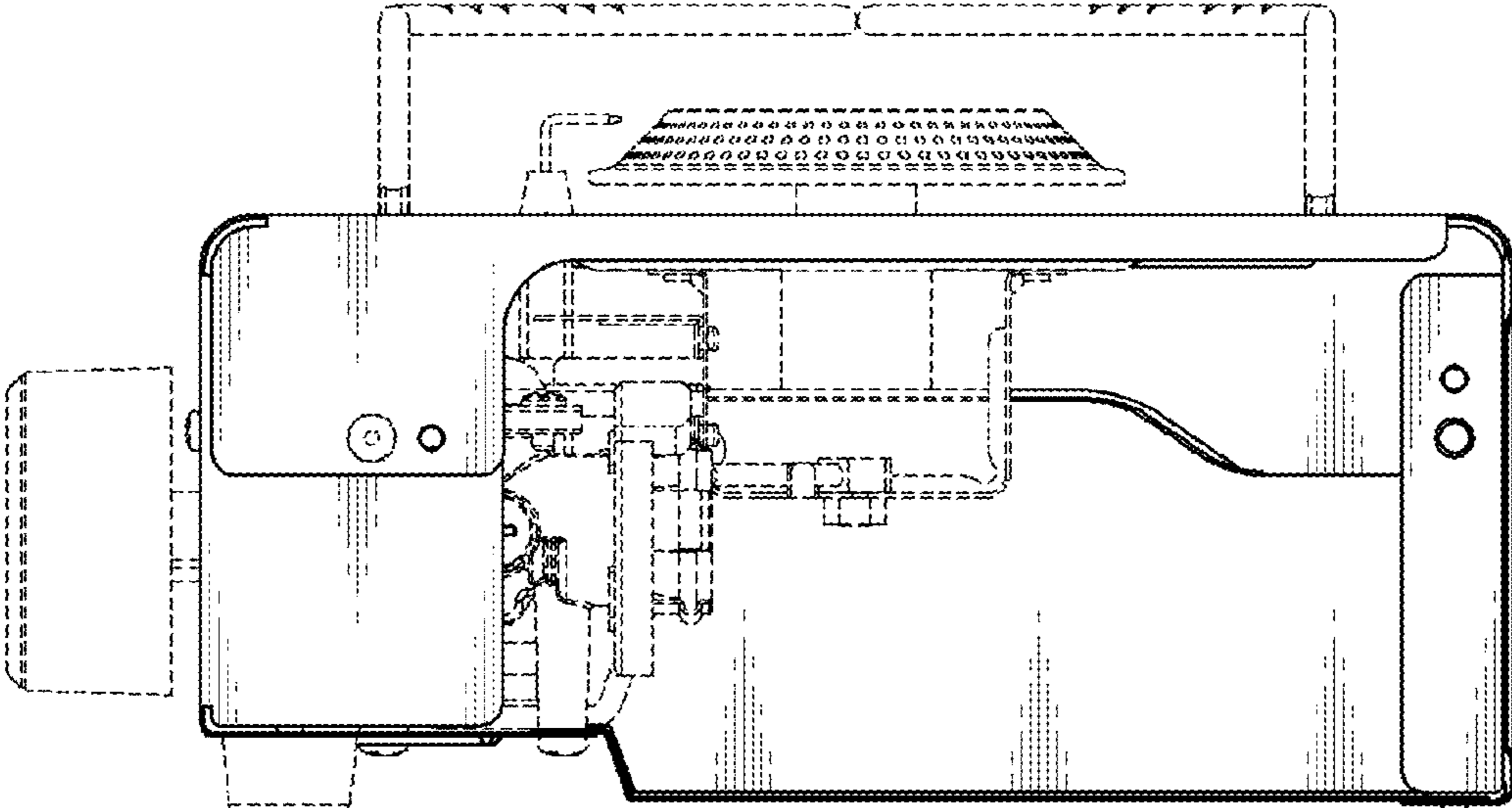


FIG. 6

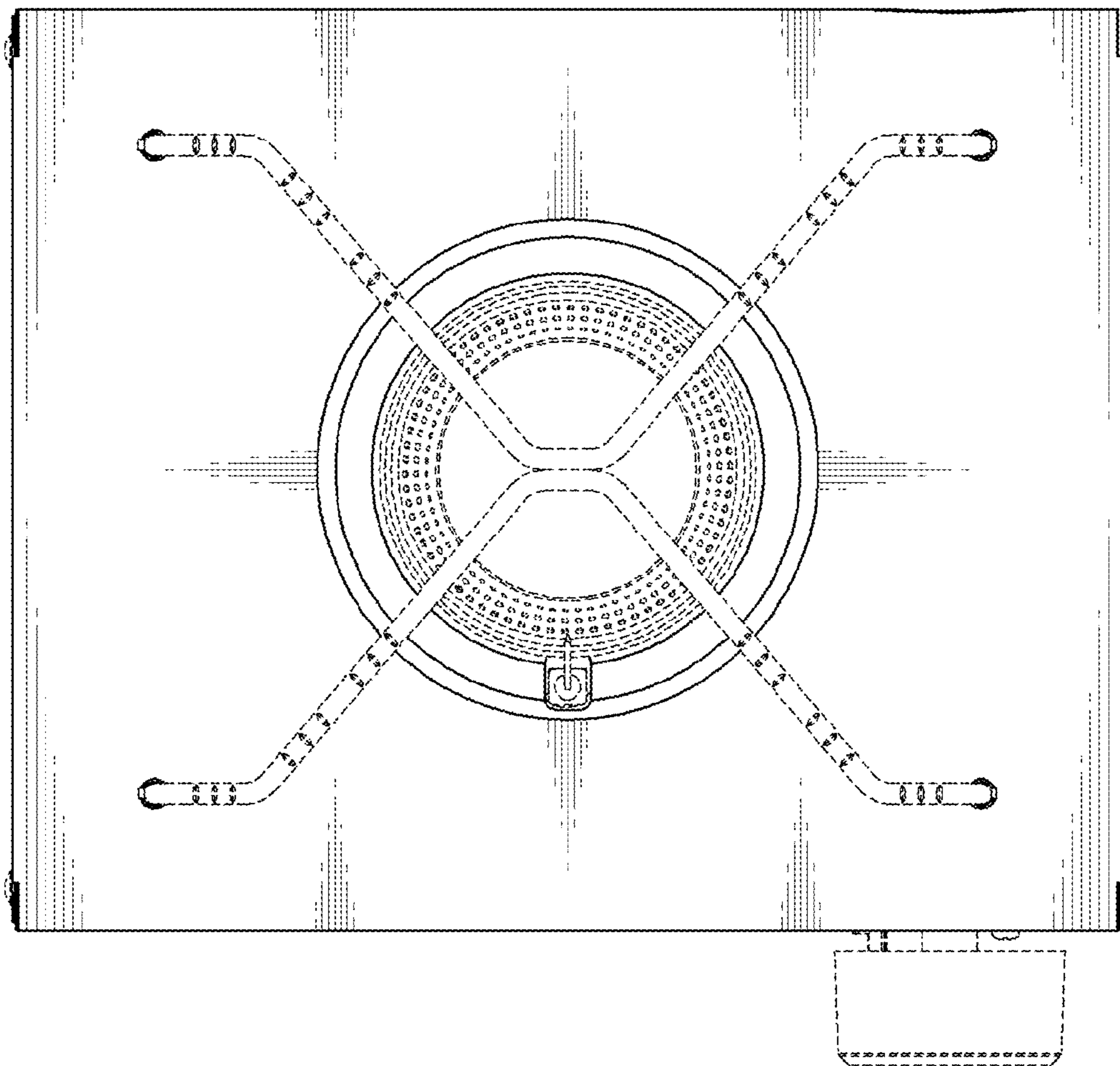


FIG. 7

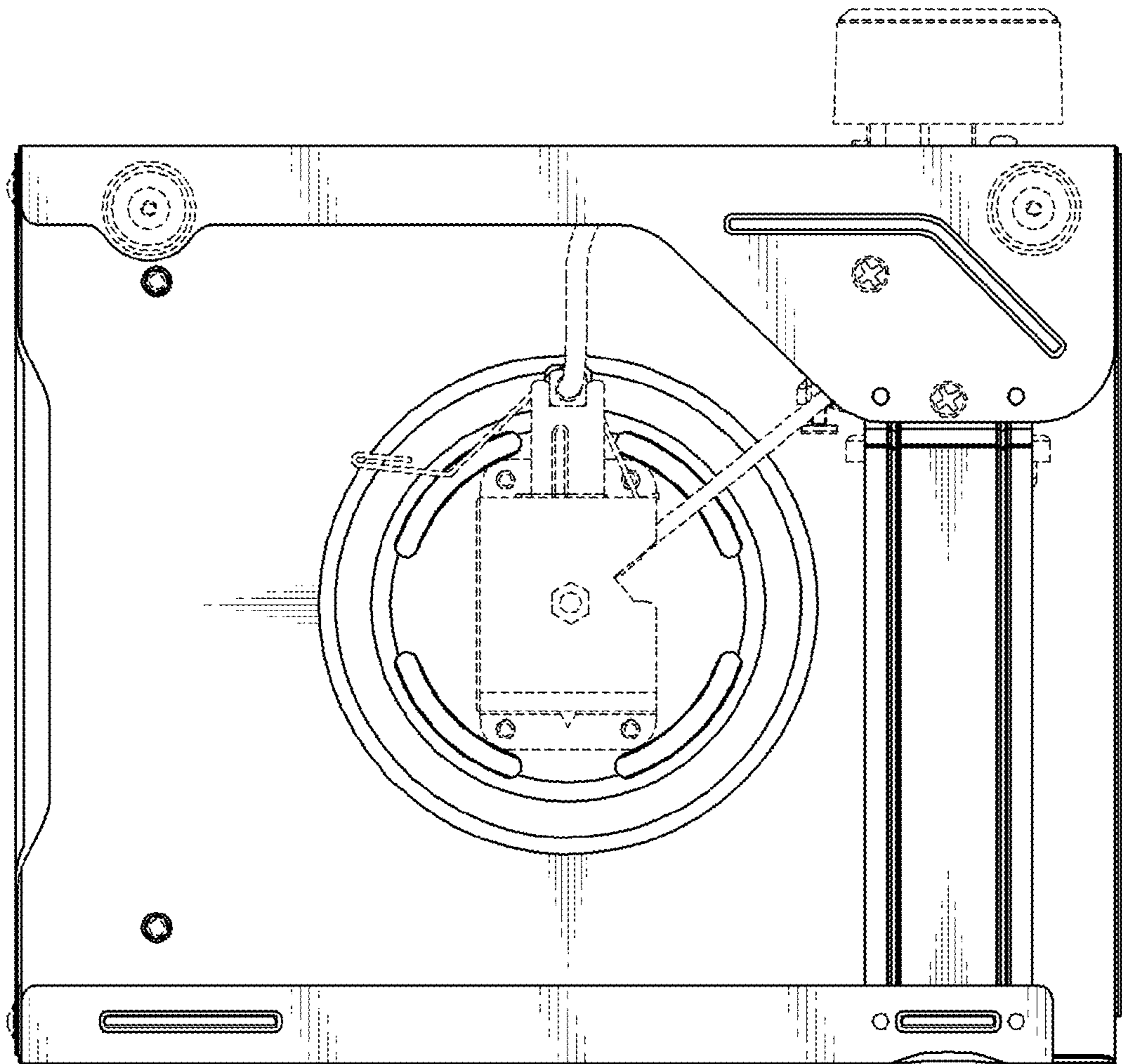


FIG. 8

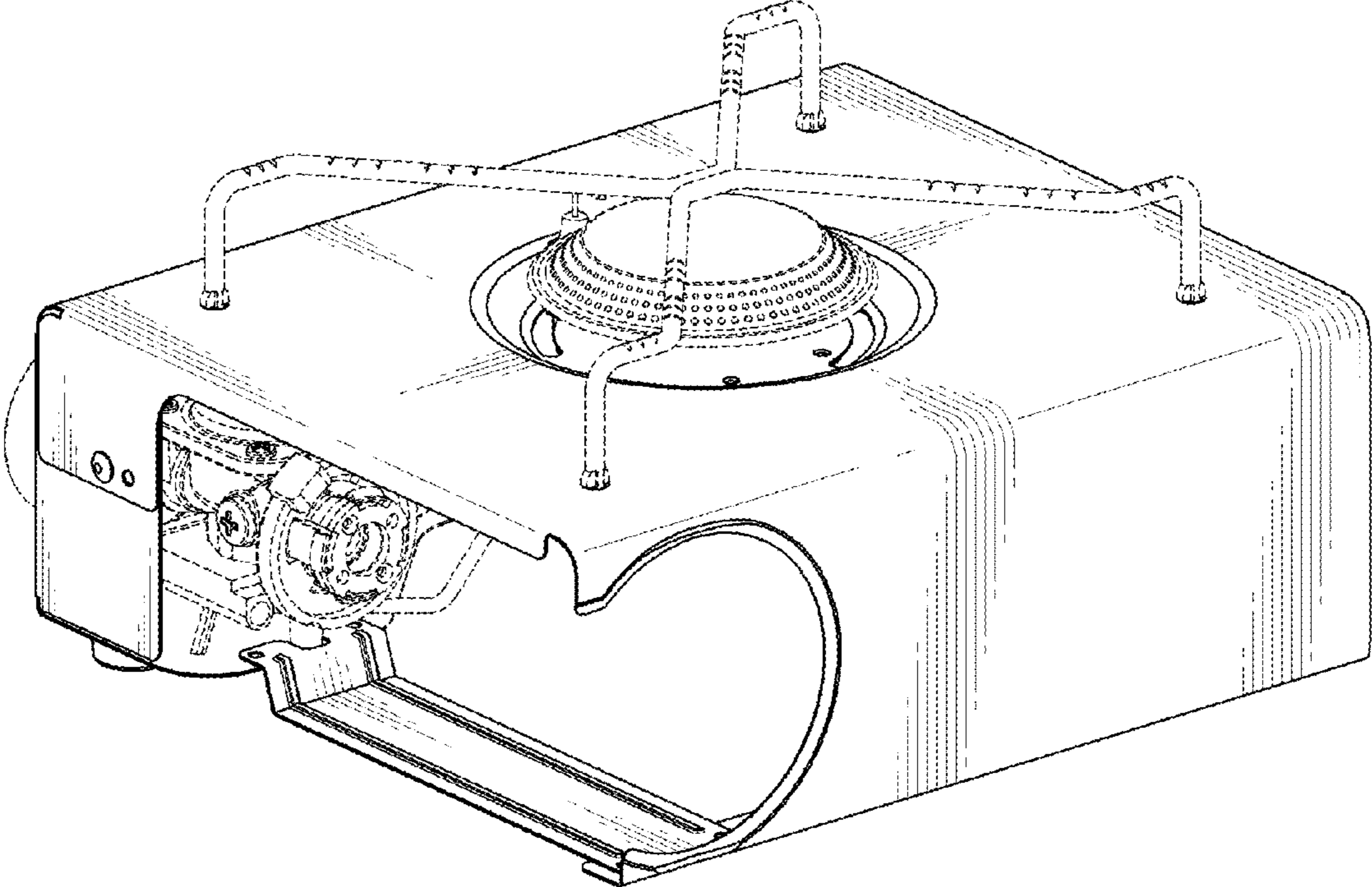


FIG. 9

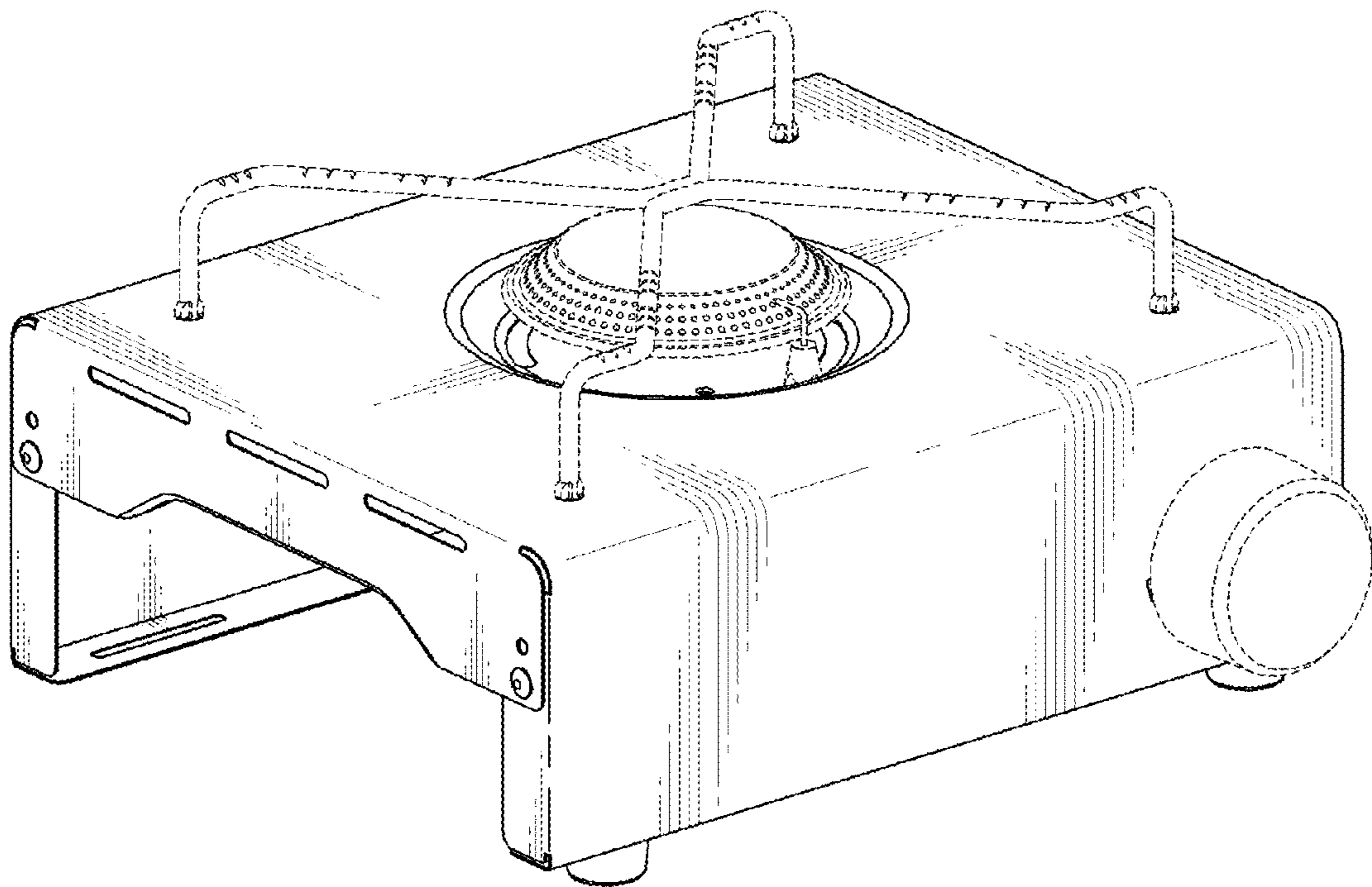


FIG. 10

