



US00D775885S

(12) **United States Design Patent** (10) **Patent No.:** **US D775,885 S**  
**Lah** (45) **Date of Patent:** **\*\* Jan. 10, 2017**

(54) **CHAIR FRAME**

FOREIGN PATENT DOCUMENTS

(71) Applicant: **Jeh-Kun Lah**, Seoul (KR)

KR 3020150061266 \* 7/2016

(72) Inventor: **Jeh-Kun Lah**, Seoul (KR)

OTHER PUBLICATIONS

(\*\*) Term: **14 Years**

32 Results-TinEye. [online] Published date unknown. Retrieved on Sep. 1, 2016 from <URL: <https://tineye.com/search/b00806f1625307514cba73c7905c60aec49870bd/?page=1&sort=score&order=desc>>.\*

(21) Appl. No.: **29/500,203**

Helinox Swivel chair. [online] Published date unknown. Retrieved on Sep. 1, 2016 from <URL: <https://vimeo.com/170918119>>.\*

(22) Filed: **Aug. 22, 2014**

(30) **Foreign Application Priority Data**

\* cited by examiner

Apr. 24, 2014 (KR) ..... 30-2014-0020755

(51) **LOC (10) Cl.** ..... **06-01**

*Primary Examiner* — Vy Koenig

(52) **U.S. Cl.**

*Assistant Examiner* — Omeed Agilee

USPC ..... **D6/708.16**

(74) *Attorney, Agent, or Firm* — Nixon Peabody LLP;

(58) **Field of Classification Search**

Jeffrey L. Costellia

USPC ..... D6/334–336, 368, 375, 716, 716.1,  
D6/708.16

CPC ..... A47C 4/28; A47C 4/286; A47C 4/22;  
A47C 4/24; A47C 4/30; A47C  
4/42; A47C 4/48; A47C 5/10; A47C  
9/105

(57) **CLAIM**

See application file for complete search history.

The ornamental design for a chair frame, as shown and described.

(56) **References Cited**

**DESCRIPTION**

U.S. PATENT DOCUMENTS

D176,296 S *	12/1955	Welt	.....	D6/708.23
D180,210 S *	4/1957	Uretsky	.....	D6/368
D205,361 S *	7/1966	Mark	.....	D6/708.16
4,290,643 A *	9/1981	Logan, 3rd.	.....	A47C 4/286 297/16.2
D262,674 S *	1/1982	Logan, 3rd.	.....	D6/368
D290,557 S *	6/1987	Salvati	.....	D6/363
D396,569 S *	8/1998	Chen	.....	D6/335
D429,078 S *	8/2000	White	.....	D6/368
D720,954 S *	1/2015	Lah	.....	D6/708.16
2013/0069397 A1 *	3/2013	Homans	.....	A47C 4/02 297/16.1
2015/0320195 A1 *	11/2015	Baoqing	.....	A47B 3/02 29/426.2

FIG. 1 is a perspective view of new design for a chair frame as shown in the drawings;  
FIG. 2 is a front elevation view thereof;  
FIG. 3 is a rear elevation view thereof;  
FIG. 4 is a left side view thereof;  
FIG. 5 is a right side view thereof;  
FIG. 6 is a top plan view thereof;  
FIG. 7 is a bottom plan view thereof; and,  
FIG. 8 is a perspective view with the broken lines illustrating an attached fabric seat that forms no part of the claimed design.

**1 Claim, 5 Drawing Sheets**

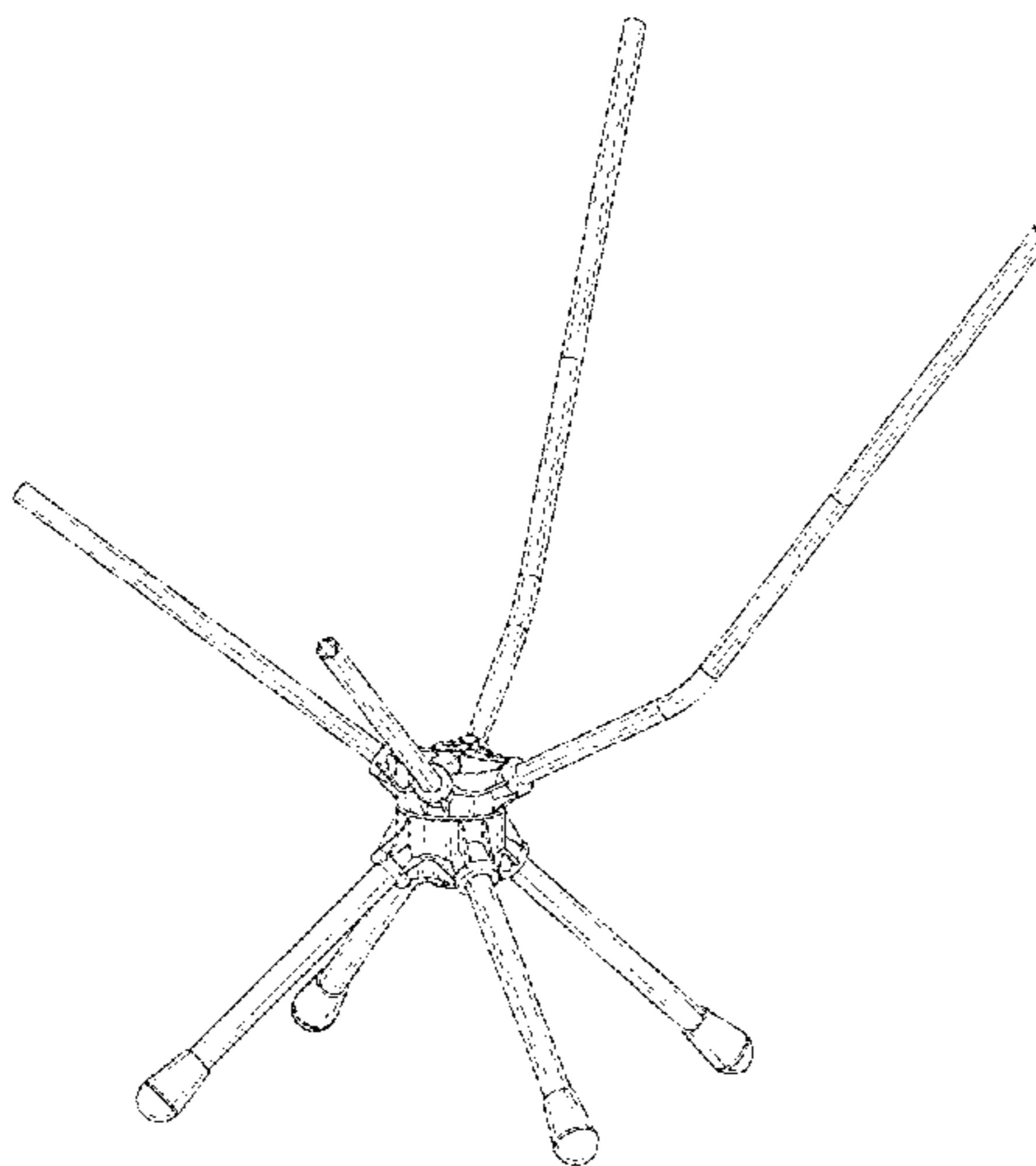


Fig. 1

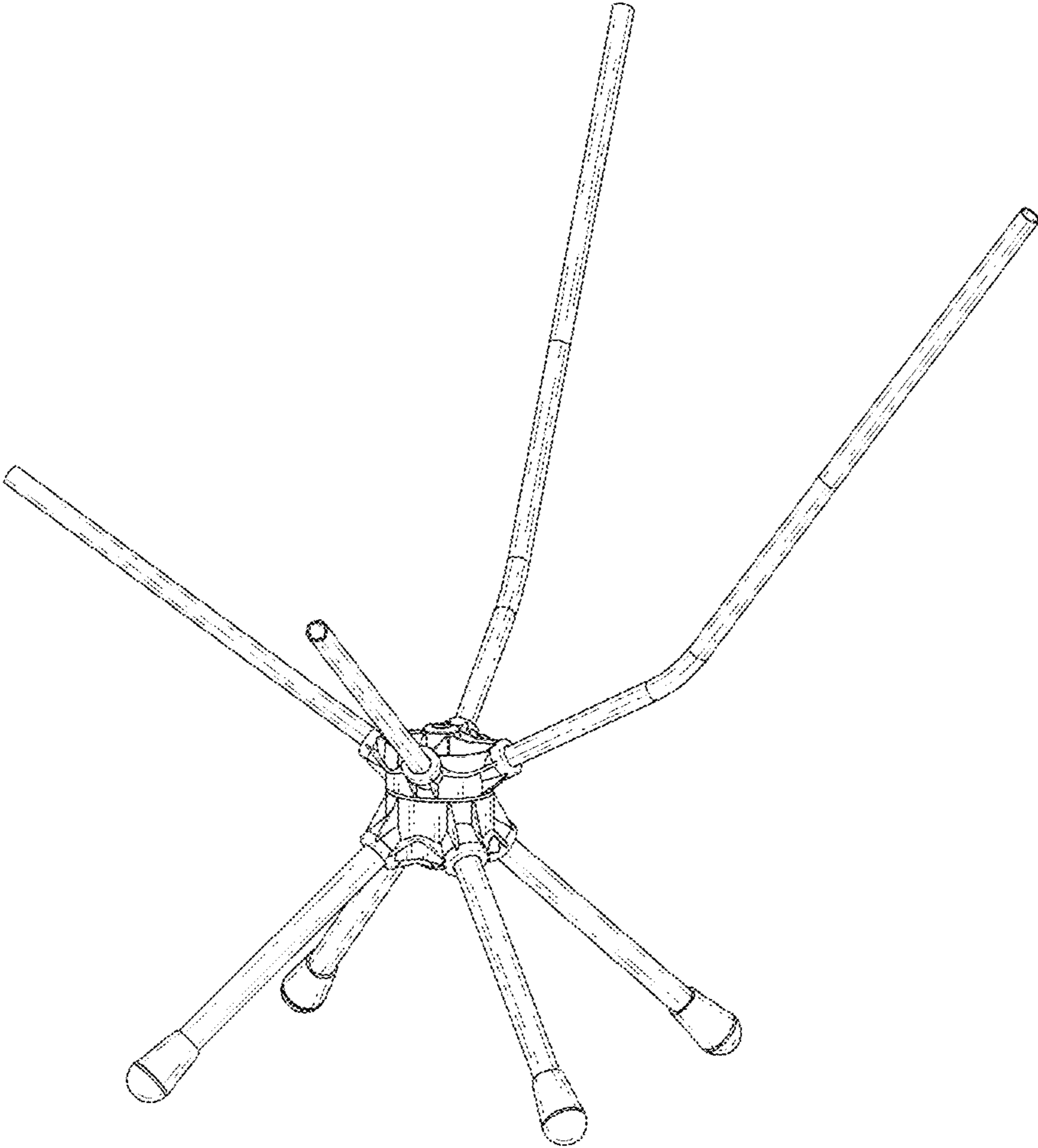


Fig. 2

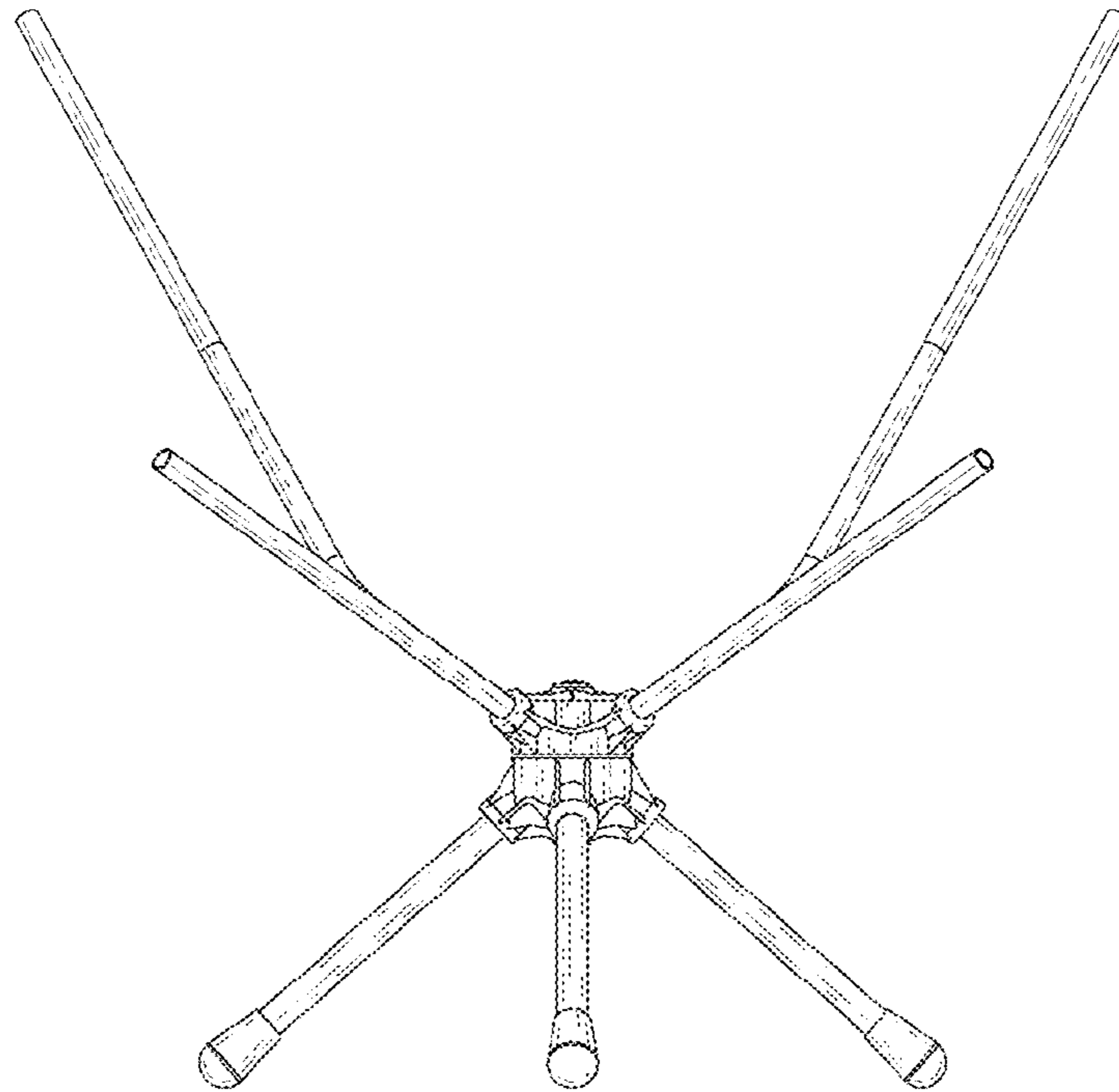


Fig. 3

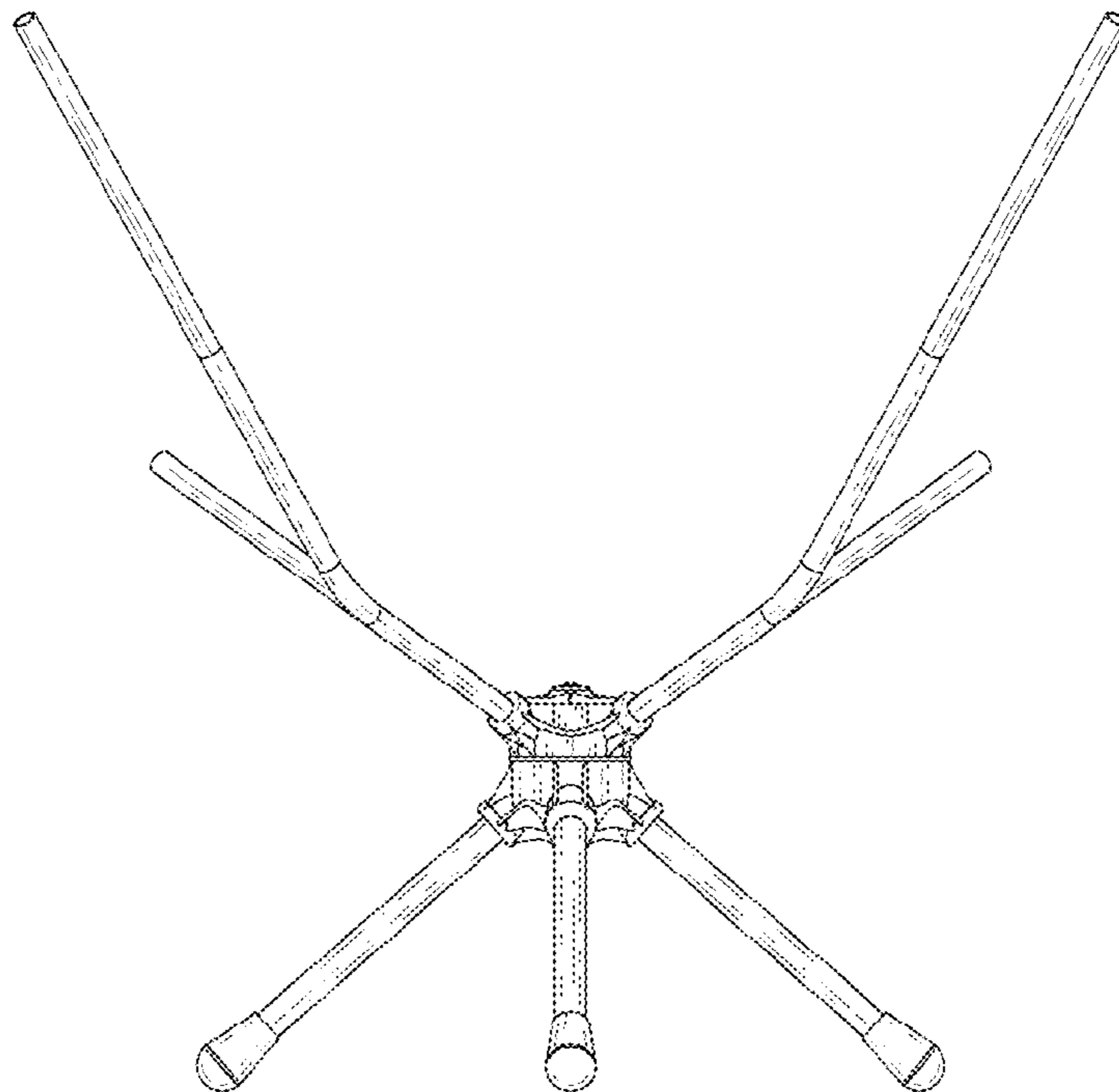


Fig. 4

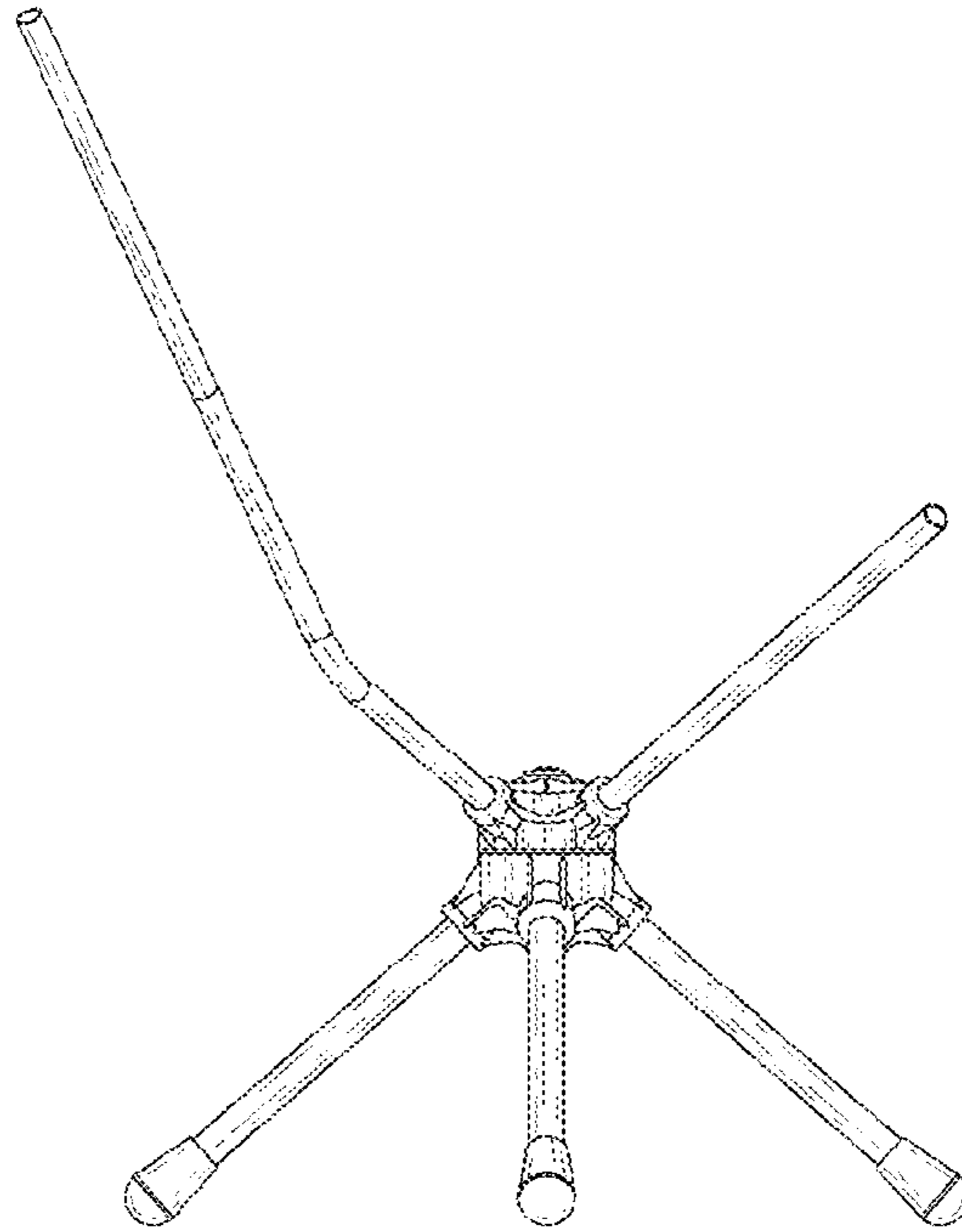


Fig. 5

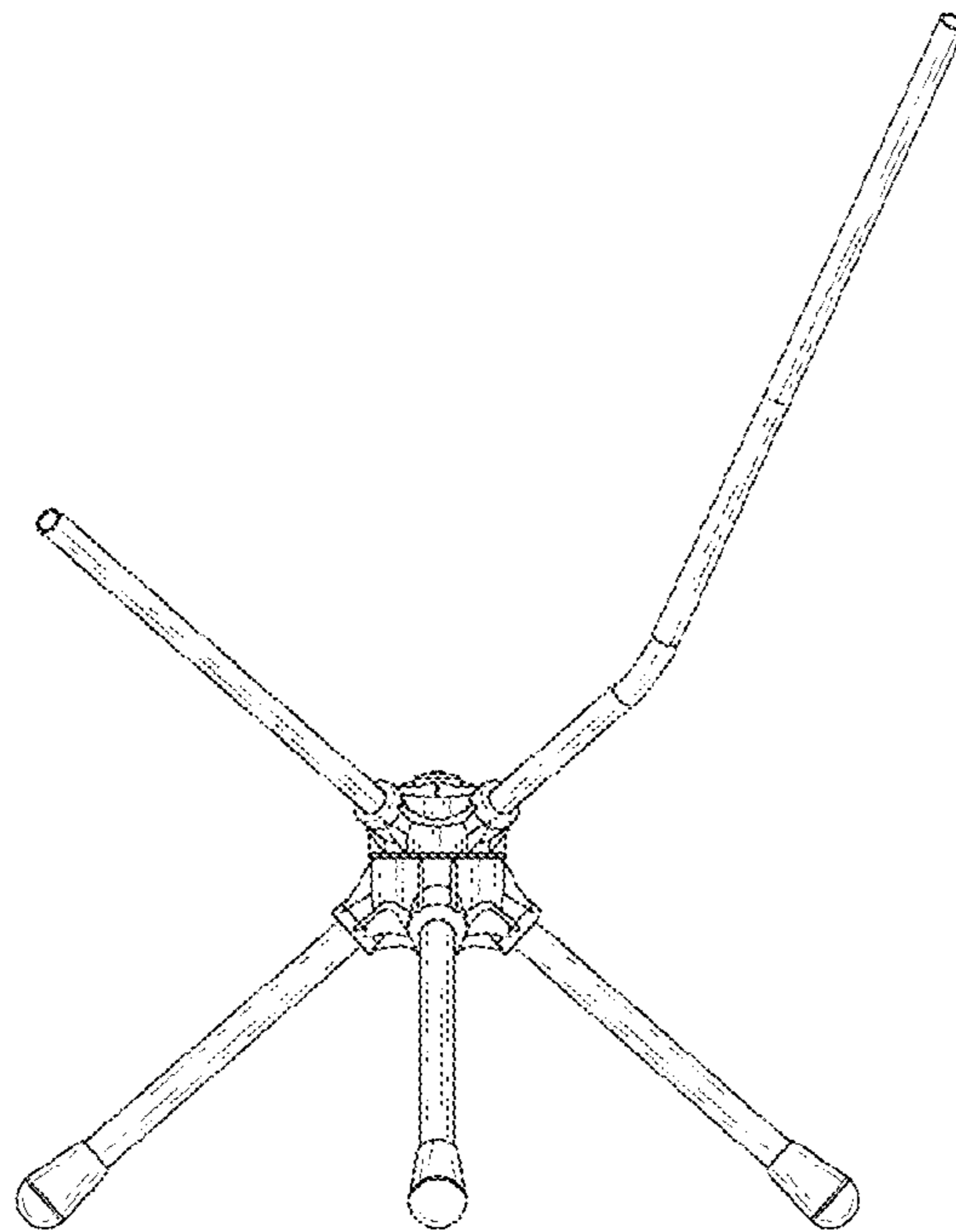


Fig. 6

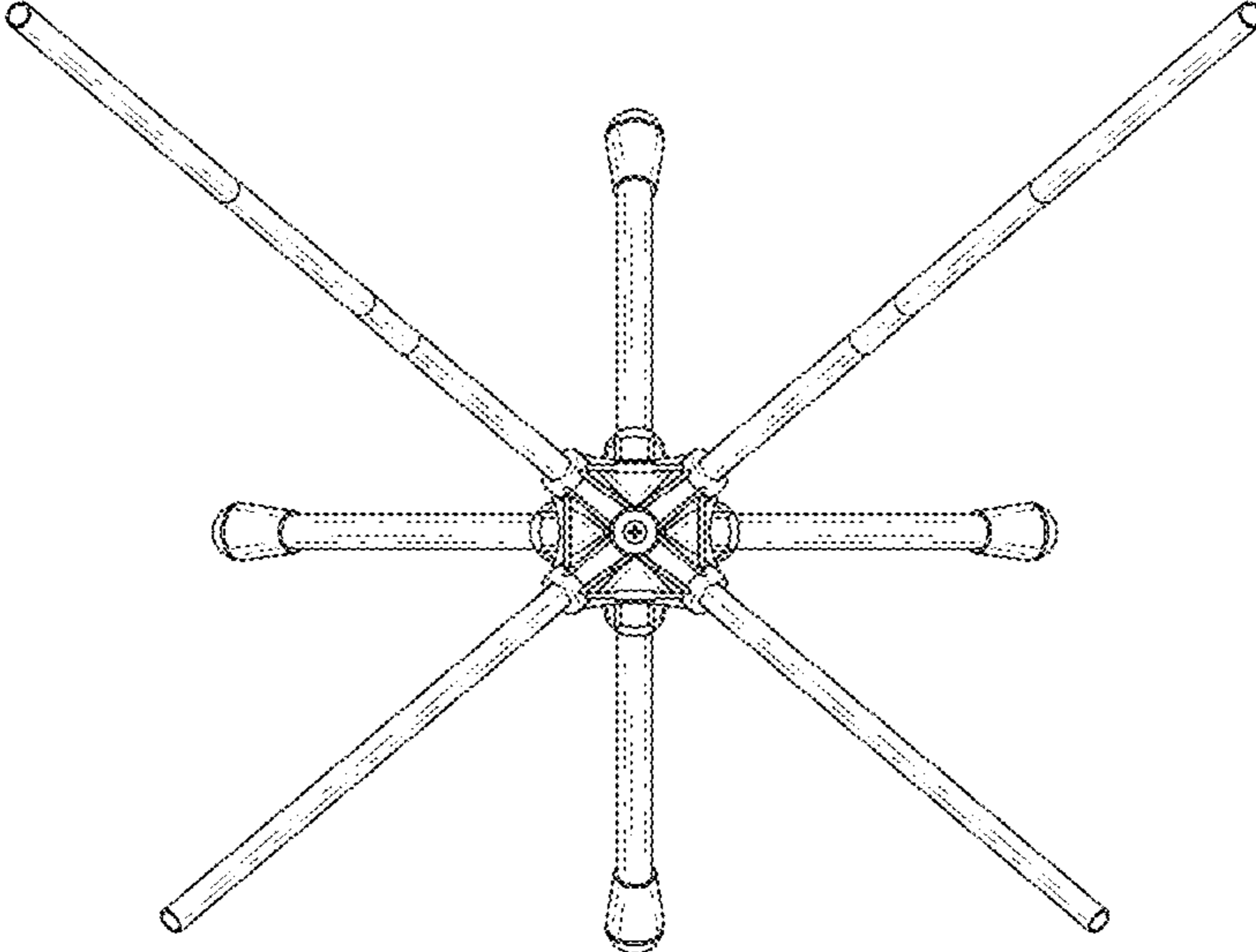


Fig. 7

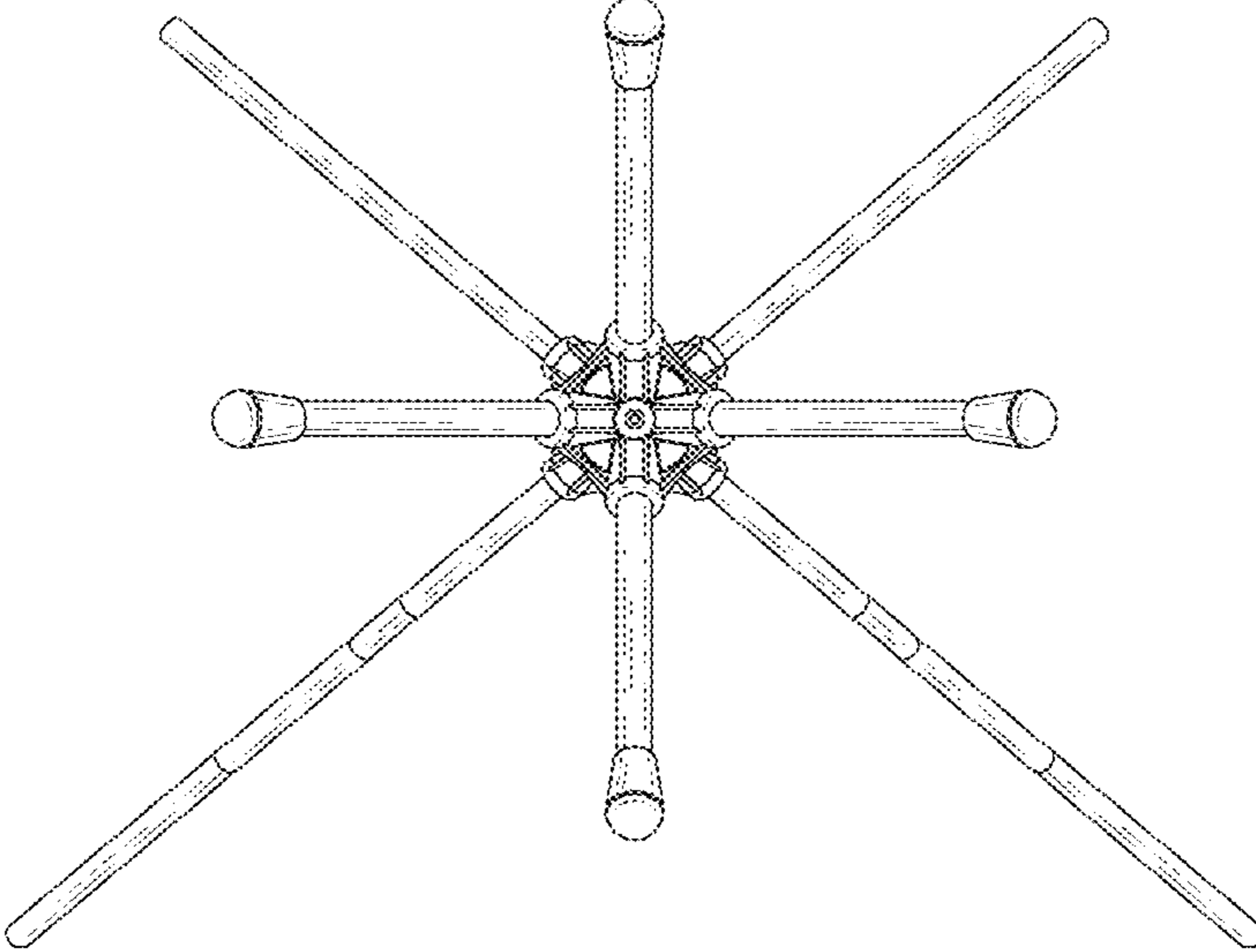


Fig. 8

