



US00D775884S

(12) **United States Design Patent** (10) **Patent No.:** **US D775,884 S**
Muller (45) **Date of Patent:** **** Jan. 10, 2017**

- (54) **TABLE** 1,977,848 A * 10/1934 Gwynn A47B 3/02
108/159.12
- (71) Applicant: **Elite Manufacturing Corporation,** 2,759,780 A 2/1952 Parker, Jr.
Santa Fe Springs, CA (US) 3,074,771 A 1/1963 Wilson
- (72) Inventor: **Carl Muller,** Seal Beach, CA (US) D196,370 S 9/1963 Wilson
- (73) Assignee: **Elite Manufacturing Corporation,** D295,005 S * 4/1988 Murry D6/708
Santa Fe Springs, CA (US) D311,840 S * 11/1990 Glendinning D6/708
- (**) Term: **15 Years** D566,996 S 4/2008 Muller
D566,997 S 4/2008 Muller
- (21) Appl. No.: **29/575,040** D591,984 S * 5/2009 Steigerwalt D6/708
- (22) Filed: **Aug. 22, 2016** D661,923 S * 6/2012 McCracken D6/691
8,418,982 B1 * 4/2013 Vatus A47B 13/02
108/158.12
D770,208 S * 11/2016 Muller D6/708

* cited by examiner

Primary Examiner — Mary Ann Calabrese

(74) *Attorney, Agent, or Firm* — Stetina Brunda Garred & Brucker

Related U.S. Application Data

- (62) Division of application No. 29/511,841, filed on Dec. 15, 2014, now Pat. No. Des. 770,208.
- (51) **LOC (10) Cl.** **06-06**
- (52) **U.S. Cl.**
USPC **D6/708**
- (58) **Field of Classification Search**
USPC D6/685, 691.6, 692.4, 695.4, 696.3,
D6/697.1, 702, 708, 708.16, 708.21,
D6/708.23
CPC A47B 7/00; A47B 13/00; A47B 13/02;
A47B 13/023; A47B 13/025; A47B 13/04;
A47B 13/06; A47B 2013/024; A47B
2200/0011; A47B 2200/0013; A47B
2200/0016; A47B 3/02; A47B 3/12
See application file for complete search history.

(56) **References Cited**

U.S. PATENT DOCUMENTS

- 410,947 A 9/1889 Vosburgh
- 451,795 A * 5/1891 Anderson A47B 3/12
159/28.2

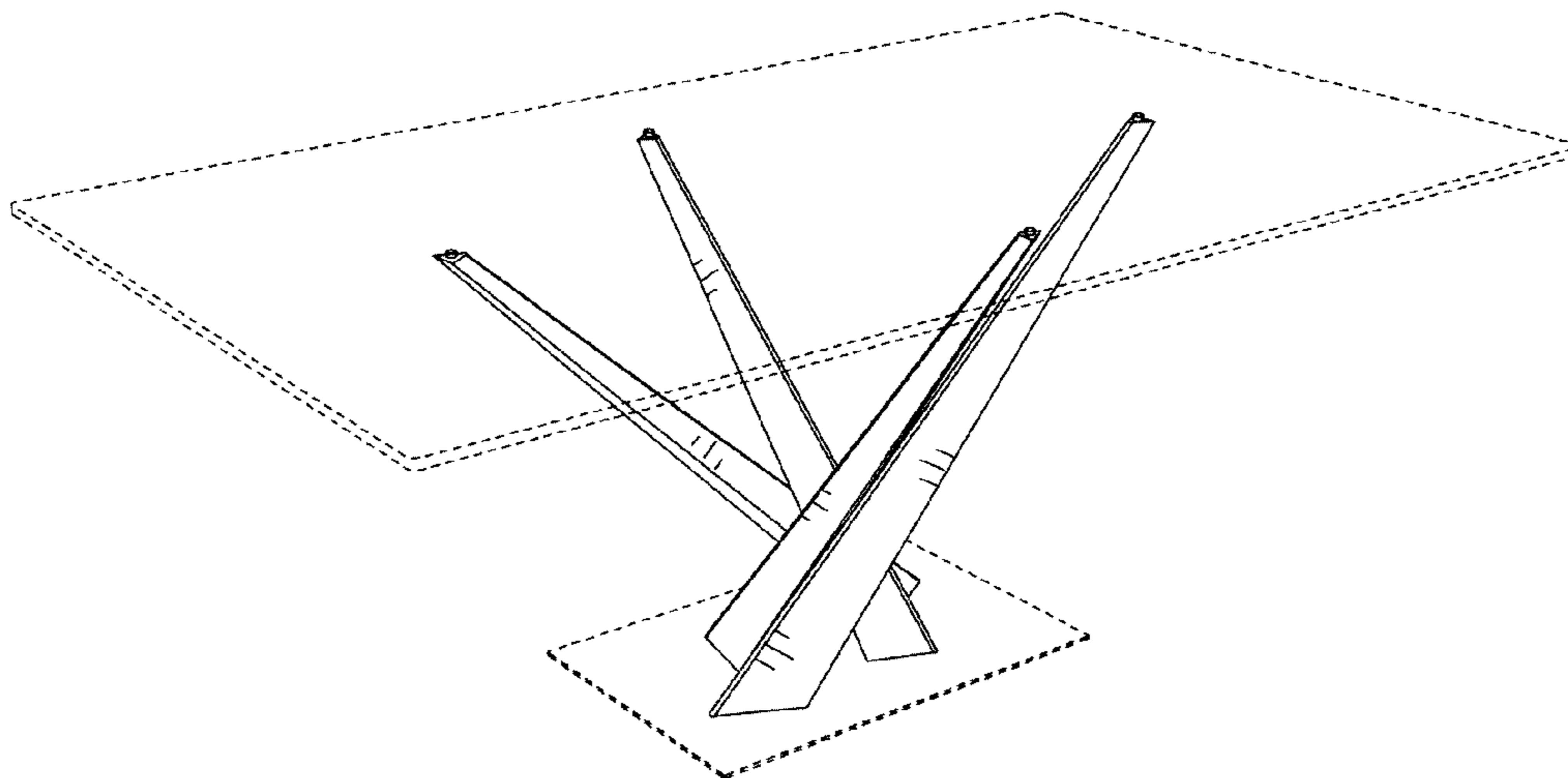
(57) **CLAIM**

The ornamental design for a table, as shown and described.

DESCRIPTION

FIG. 1 is as front perspective view of a first embodiment of the table of the present invention showing my new design with the dotted lines depicting environmental structure and forming no part of the claimed design;
 FIG. 2 is a top plan view thereof;
 FIG. 3 is a side elevational view thereof;
 FIG. 4 is as bottom plan view thereof;
 FIG. 5 is as front elevational view thereof;
 FIG. 6 is as front perspective view of as second embodiment of the table of the present invention showing my new design with the dotted lines depicting environmental structure and forming no part of the claimed design;
 FIG. 7 is as top plan view thereof;
 FIG. 8 is a side elevational view thereof; and,
 FIG. 9 is a bottom plan view thereof.

1 Claim, 4 Drawing Sheets



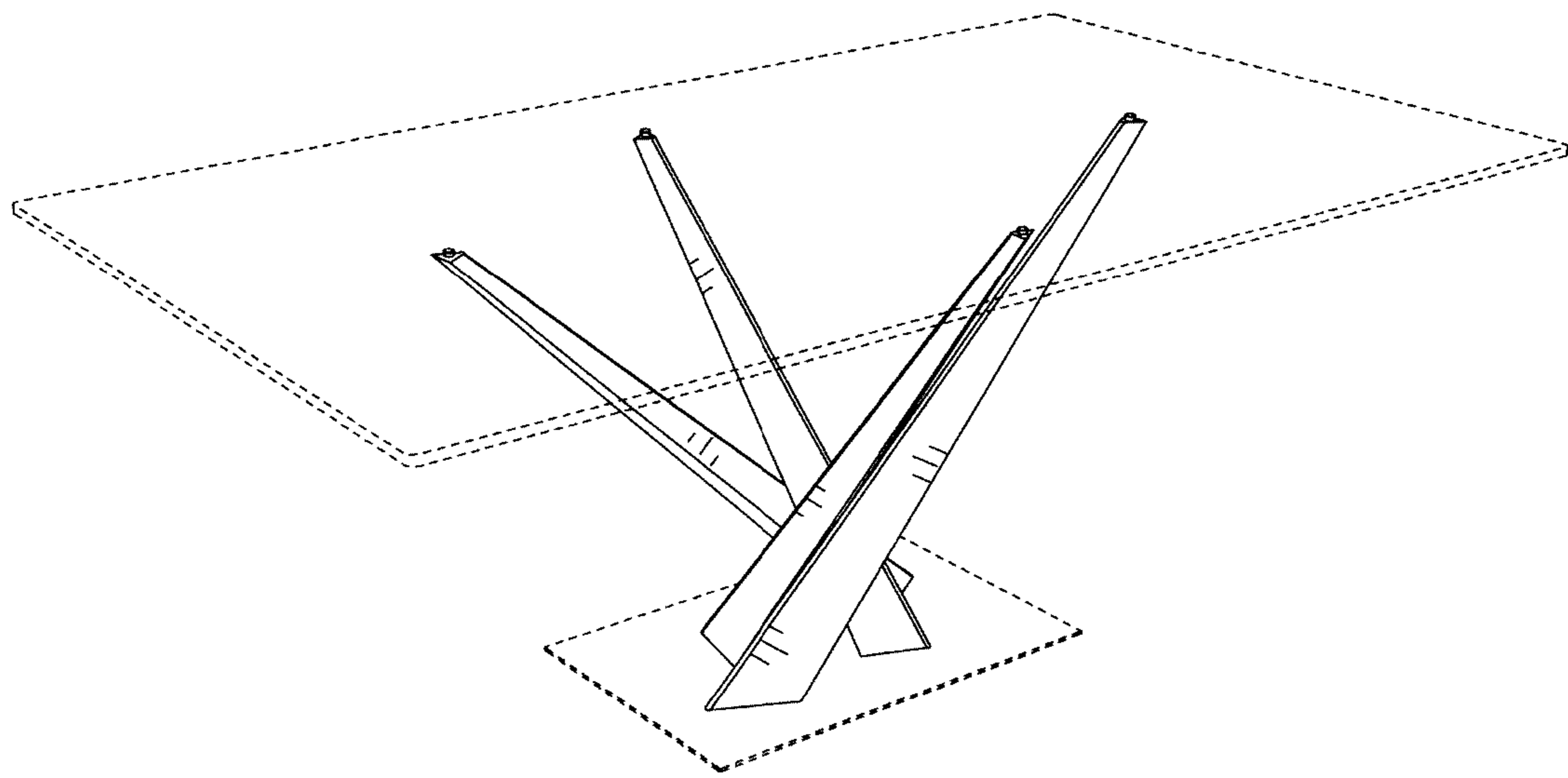


FIG. 1

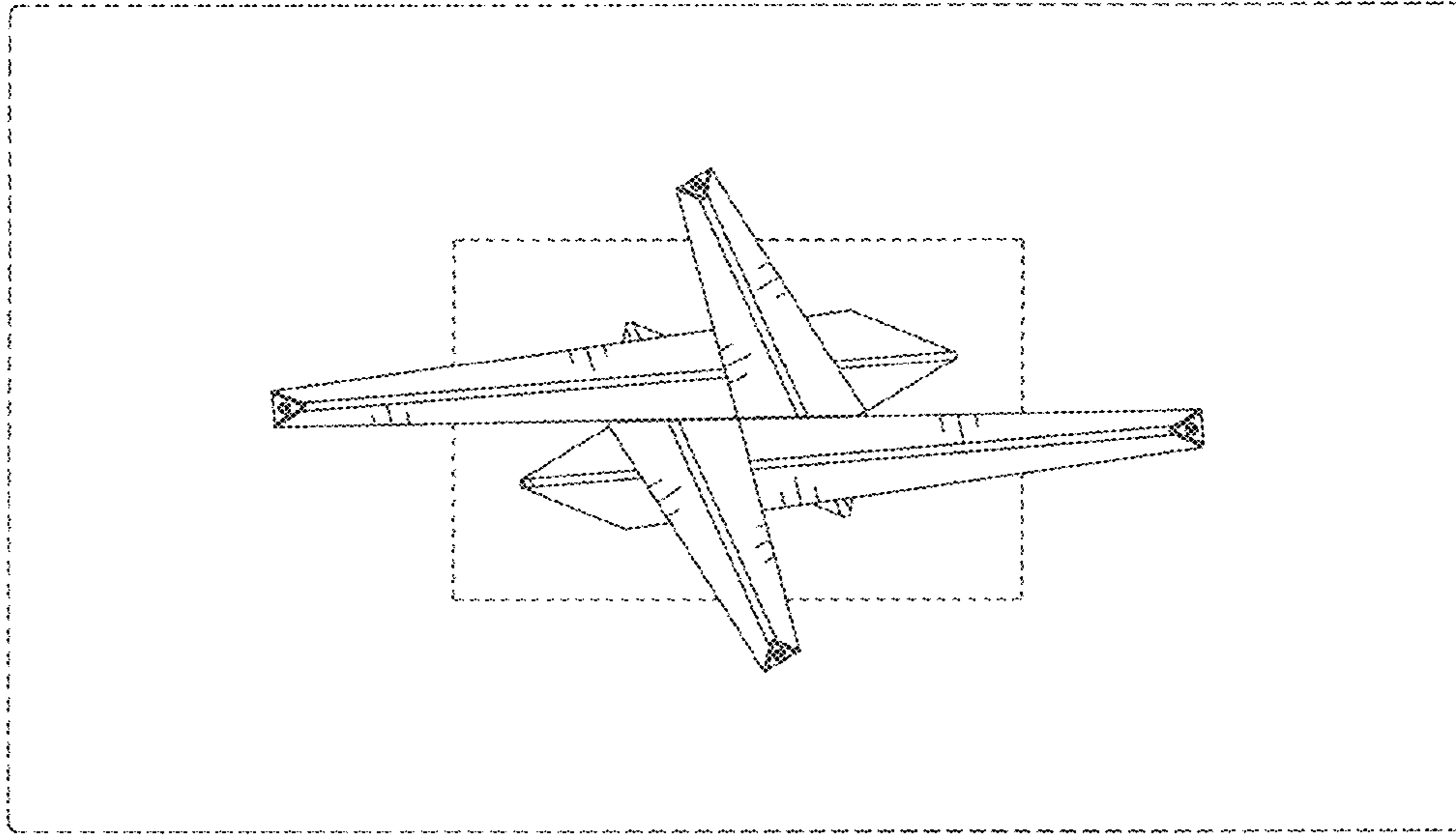


FIG. 2

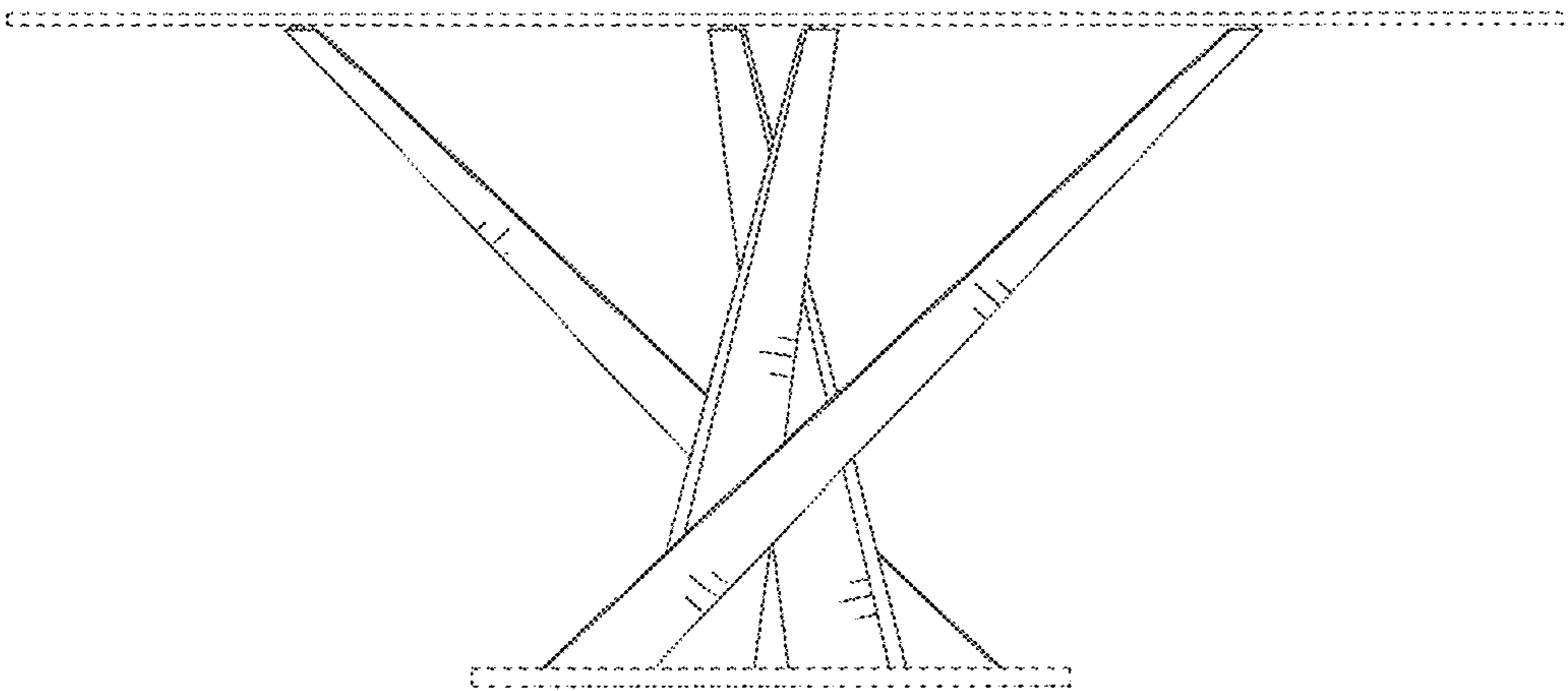


FIG. 3

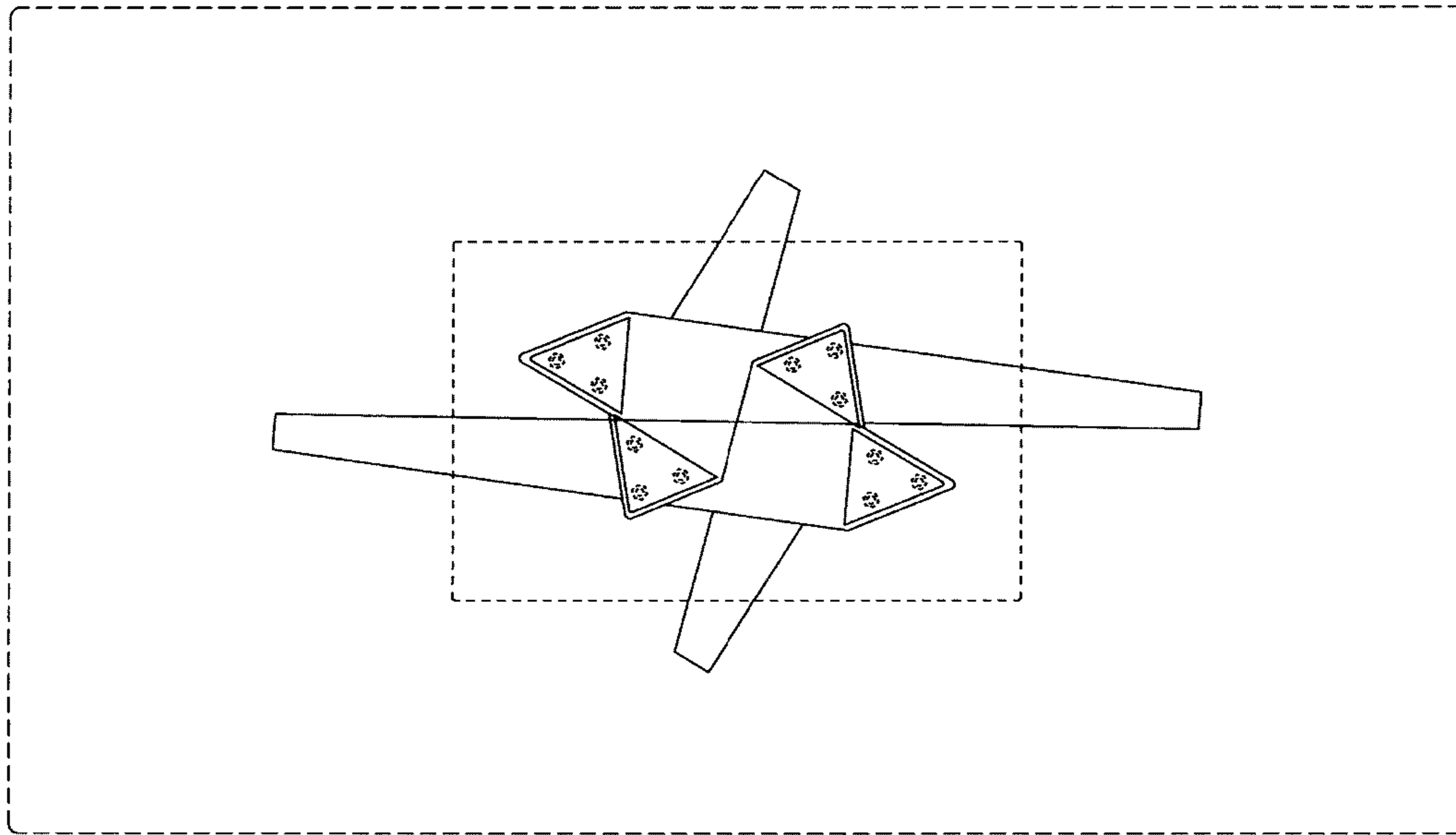


FIG. 4

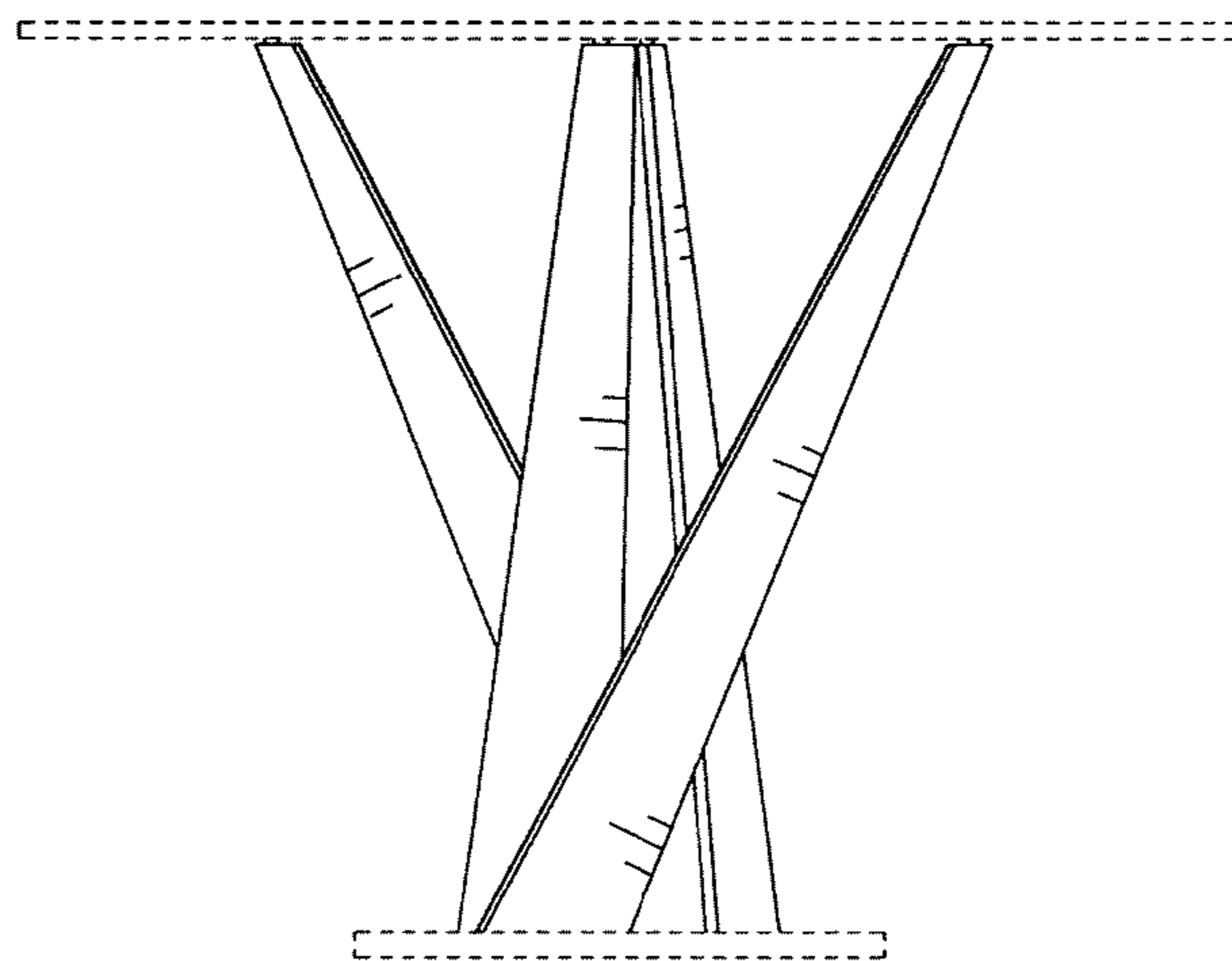


FIG. 5

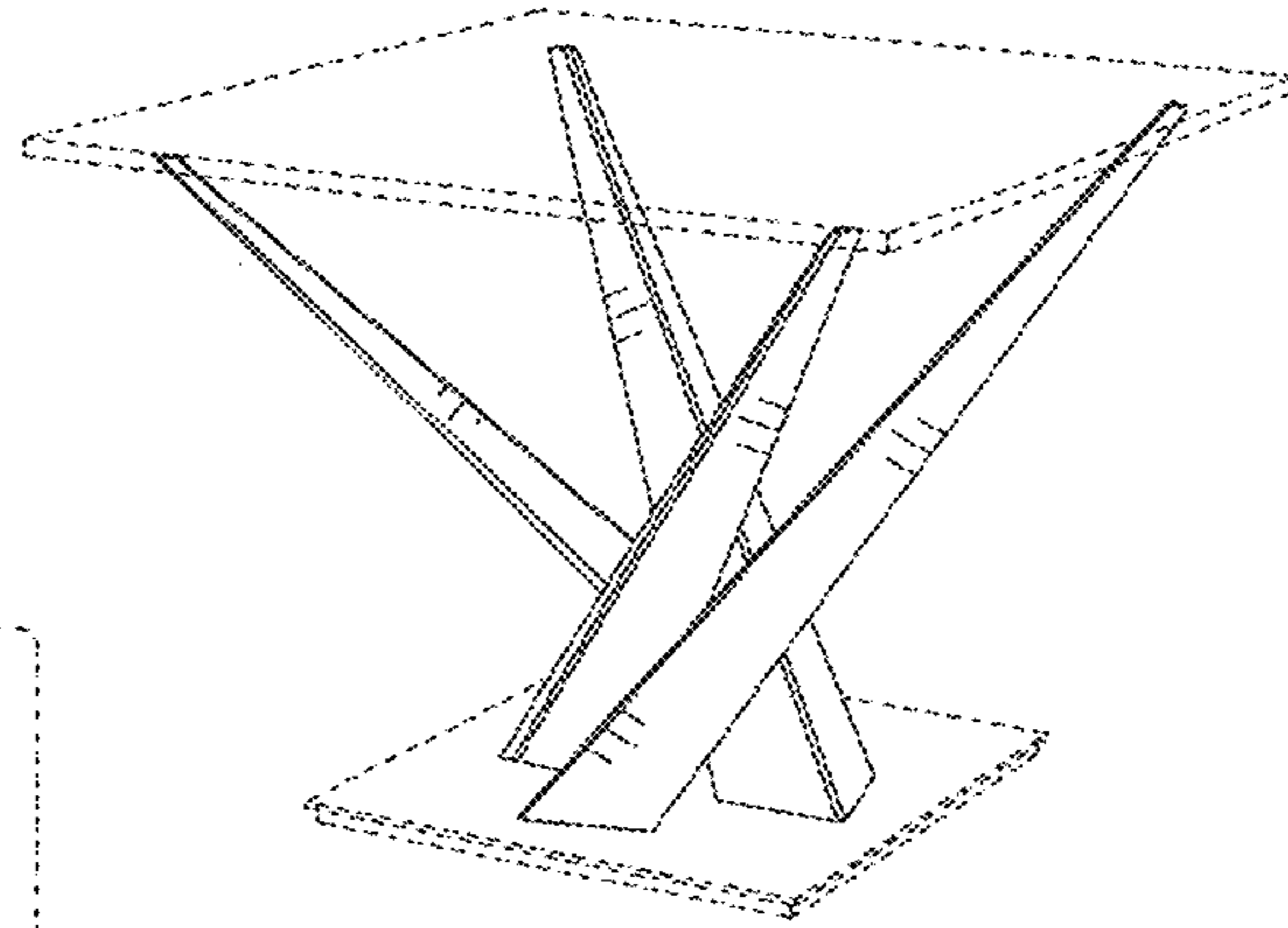


FIG. 6

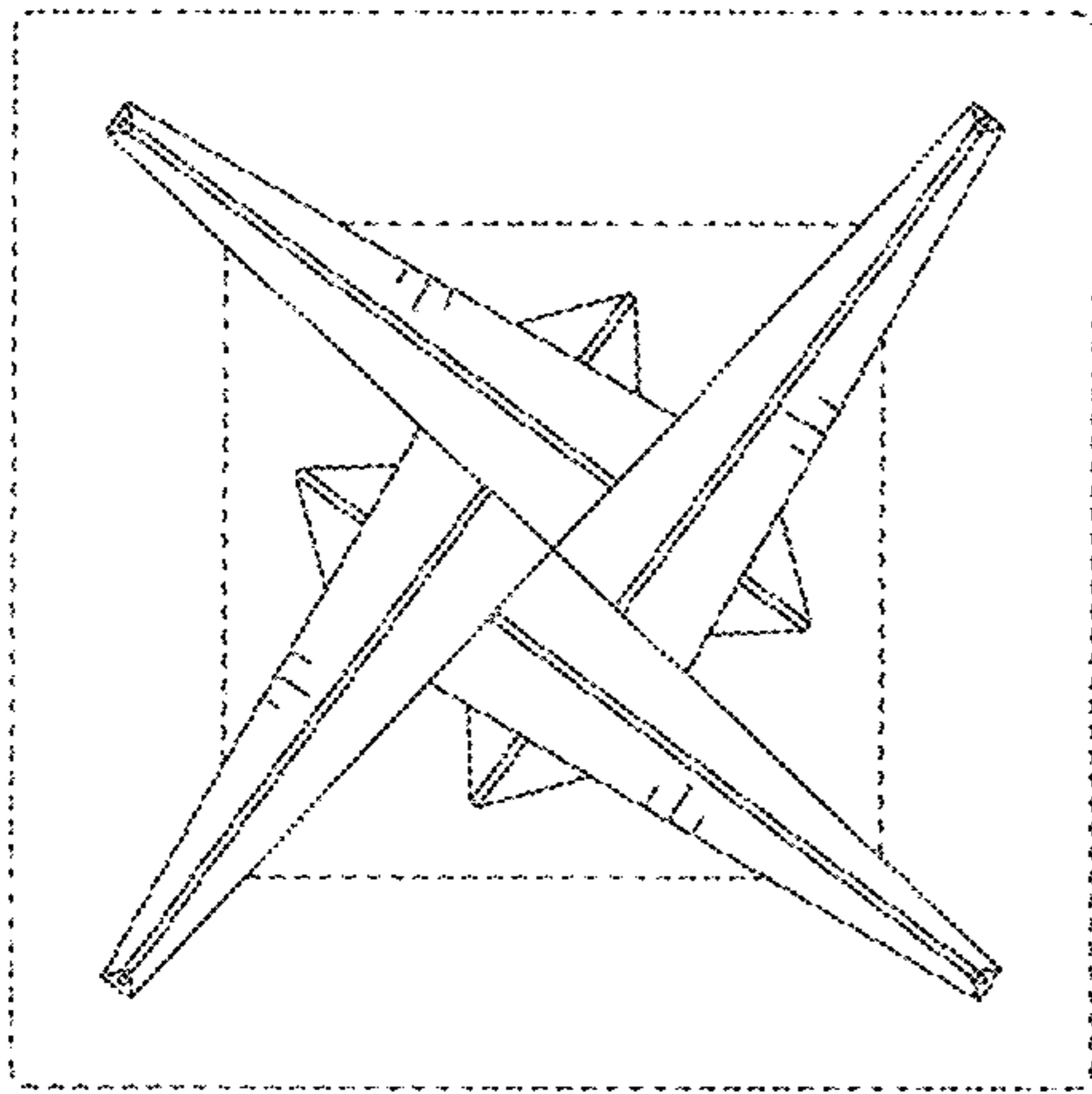


FIG. 7

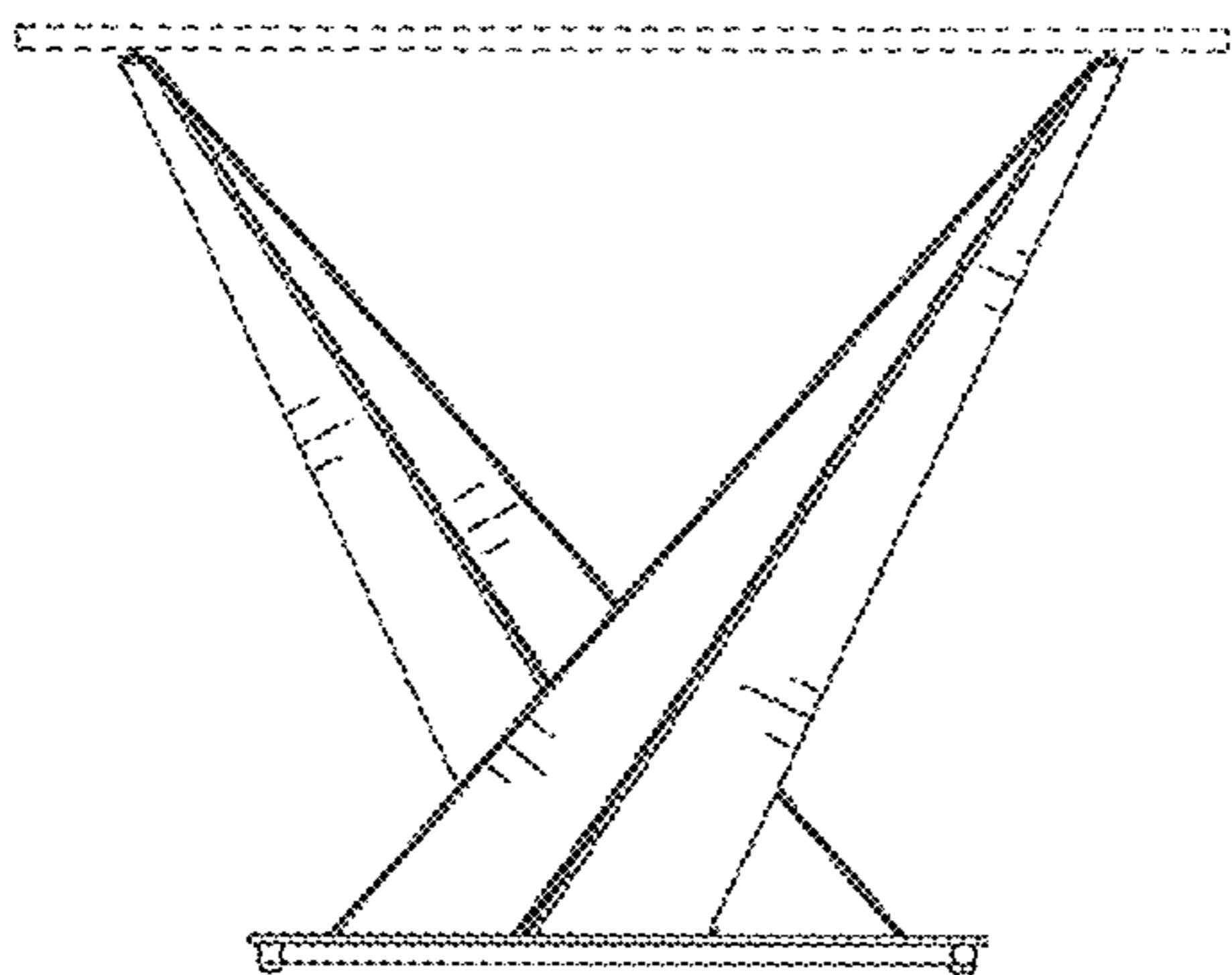


FIG. 8

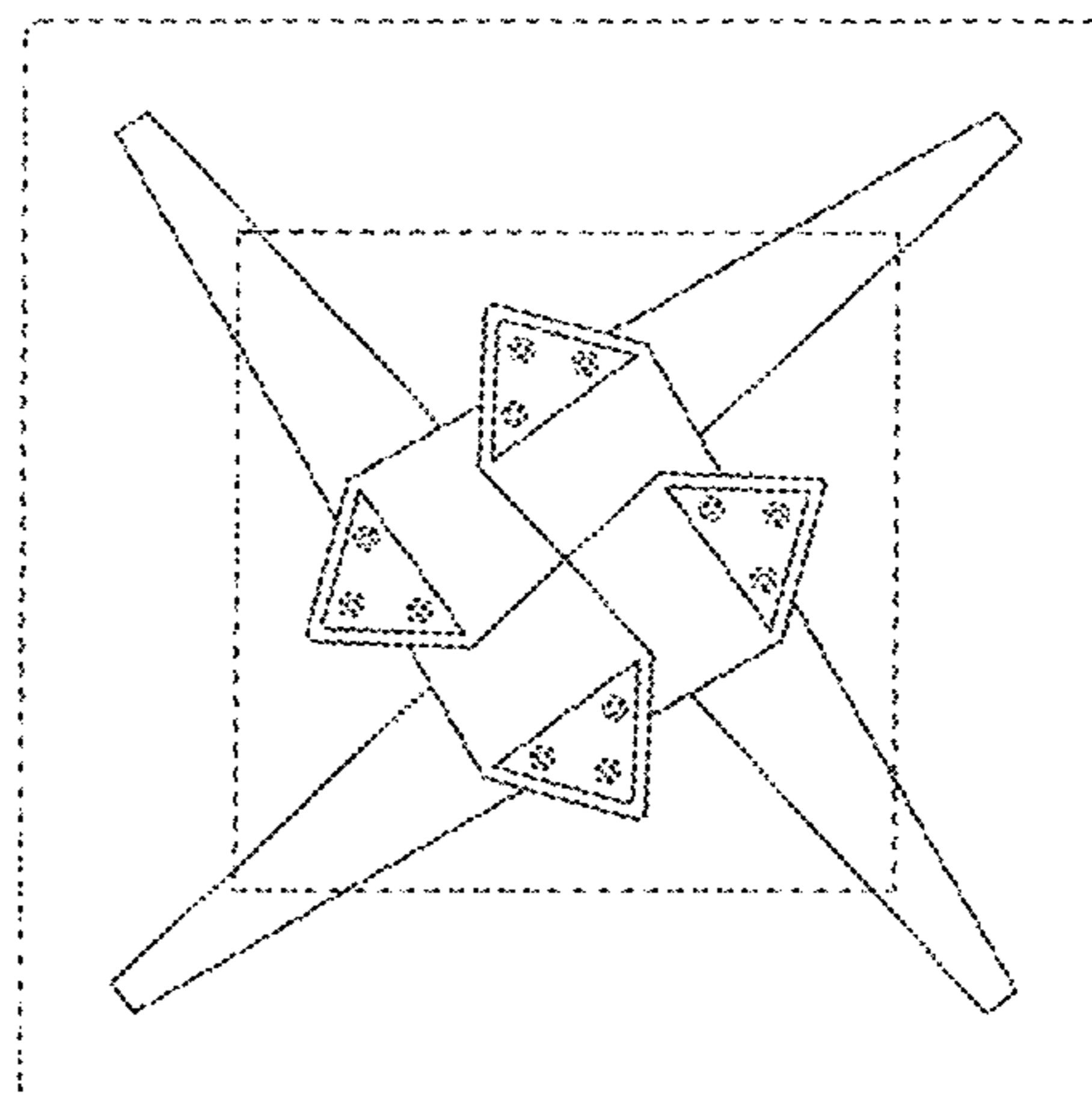


FIG. 9