



US00D775882S

(12) **United States Design Patent** (10) **Patent No.:** **US D775,882 S**
Fraenkel et al. (45) **Date of Patent:** **** Jan. 10, 2017**

(54) **MERCHANDISER**
(71) Applicant: **Leer, Inc.**, New Lisbon, WI (US)
(72) Inventors: **Visnu priya D. Fraenkel**, Madison, WI (US); **Robert A. Podell**, Cottage Grove, WI (US); **Stephen J. Dieter**, Oregon, WI (US)
(73) Assignee: **Leer, Inc.**, New Lisbon, WI (US)

D416,713 S * 11/1999 Trulaske, Sr. D15/91
D420,367 S 2/2000 Trulaske, Sr.
D420,368 S * 2/2000 Bardin D15/91
6,068,305 A 5/2000 Myers et al.
D439,914 S 4/2001 Trulaske, Sr.
D441,990 S 5/2001 Trulaske, Sr.
D444,966 S 7/2001 Trulaske et al.
D448,589 S 10/2001 Trulaske, Sr.
D452,395 S 12/2001 Trulaske, Sr.

(Continued)

(**) Term: **14 Years**

(21) Appl. No.: **29/507,238**

(22) Filed: **Oct. 24, 2014**

(51) **LOC (10) Cl.** **06-06**

(52) **U.S. Cl.**
USPC **D6/702**; D15/81

(58) **Field of Classification Search**
USPC D6/702, 703, 670, 671, 663, 668, 657,
D6/661, 661.2; D15/91, 89, 85, 84, 81,
D15/79; 62/255, 246
CPC A47F 3/00; A47F 3/0426; A47F 3/043;
A47F 3/0434; A47F 3/0482; A47F
3/0404; A47F 3/0408; A47F 3/0421
See application file for complete search history.

(56) **References Cited**

U.S. PATENT DOCUMENTS

D280,790 S * 10/1985 Kooy D34/21
5,109,651 A 5/1992 Stuart
5,267,672 A 12/1993 Jacobsen et al.
D354,185 S * 1/1995 King D6/661
5,458,851 A 10/1995 Schroeder et al.
D372,036 S 7/1996 Timura et al.
5,699,676 A 12/1997 Trulaske, Sr.
5,708,223 A 1/1998 Wyss
5,728,999 A 3/1998 Teicher
5,752,393 A 5/1998 Schlosser et al.
5,822,955 A 10/1998 Woosley et al.
D402,138 S 12/1998 Trulaske, Sr.

FOREIGN PATENT DOCUMENTS

WO WO-2007/118140 10/2007
WO WO-2011/097153 8/2011
WO WO-2012/034850 3/2012

Primary Examiner — Susan Bennett Hattan

Assistant Examiner — Rebecca Tsehaye

(74) *Attorney, Agent, or Firm* — Foley & Lardner LLP

(57) **CLAIM**

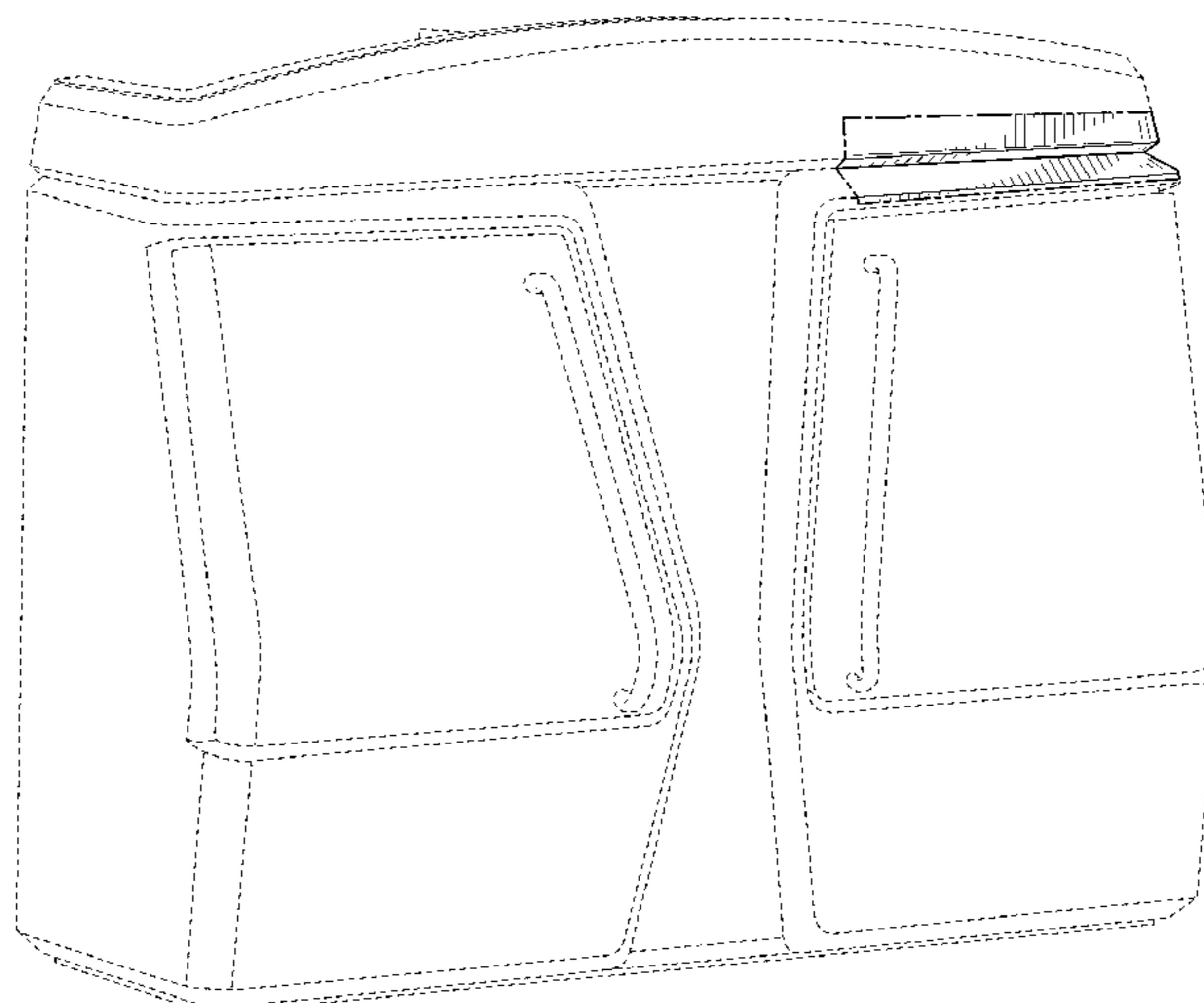
We claim the ornamental design for a merchandiser, as shown and described.

DESCRIPTION

FIG. 1 is a front left perspective view of an embodiment of the claimed design;
FIG. 2 is a front right perspective view thereof;
FIG. 3 is a front view thereof;
FIG. 4 is a rear view thereof;
FIG. 5 is a left side view thereof;
FIG. 6 is a right side view thereof;
FIG. 7 is a top view thereof; and,
FIG. 8 is a bottom view thereof.

The broken lines in the drawings form no part of the claimed design. Broken lines formed by equal length dashes show unclaimed subject matter. Broken lines formed of unequal length dashes (i.e., dash-dot) define bounds of the claimed design.

1 Claim, 6 Drawing Sheets



(56)

References Cited

U.S. PATENT DOCUMENTS

D461,335 S	8/2002	Trulaske et al.	8,561,655 B2	10/2013	Dalton et al.
D467,450 S	12/2002	Trulaske et al.	8,800,305 B2	8/2014	Pape et al.
6,506,428 B1	1/2003	Berge et al.	8,813,516 B2	8/2014	Min et al.
6,596,233 B2	7/2003	Berge et al.	D745,580 S *	12/2015	Miller D15/89
6,606,869 B2	8/2003	Takahashi et al.	2003/0046947 A1	3/2003	Ohya et al.
6,619,051 B1	9/2003	Kilawee et al.	2005/0095121 A1	5/2005	Vithani
6,658,884 B2	12/2003	Takahashi et al.	2006/0002685 A1	1/2006	Jeong
6,904,946 B2	6/2005	James	2006/0150645 A1	7/2006	Leaver
7,032,401 B2	4/2006	Dresser	2007/0162182 A1	7/2007	Marti et al.
7,032,406 B2	4/2006	Hollen et al.	2007/0193318 A1	8/2007	Churchill et al.
D534,999 S *	1/2007	Hussaini D15/81	2007/0196244 A1	8/2007	Croft
7,344,210 B2	3/2008	Dresser	2007/0267093 A1	11/2007	Soderman
D596,208 S *	7/2009	Cunnane D15/79	2008/0006313 A1	1/2008	Wang
7,681,411 B2	3/2010	DiLorenzo	2008/0104972 A1	5/2008	Finkenauer
D618,965 S *	7/2010	Voron D15/79	2009/0142225 A1	6/2009	Tornqvist
7,757,513 B2	7/2010	Paine	2009/0183523 A1	7/2009	Willette
8,162,210 B2	4/2012	McInerney et al.	2009/0244884 A1	10/2009	Trulaske, Sr.
8,328,438 B2	12/2012	Johnson et al.	2010/0223944 A1	9/2010	Tsujimoto et al.
8,387,405 B2	3/2013	Johnson	2011/0238209 A1	9/2011	Roekens et al.
8,468,784 B2	6/2013	Metzger	2011/0238210 A1	9/2011	Roekens
8,484,935 B2	7/2013	Leblanc et al.	2012/0070264 A1	3/2012	Pape
8,511,101 B1	8/2013	Seymour	2012/0186202 A1	7/2012	Pandurangan et al.
8,528,302 B1	9/2013	Shaker et al.	2012/0198870 A1	8/2012	Erbs et al.
8,534,034 B1	9/2013	Pape	2012/0291458 A1	11/2012	Seibert et al.
8,534,085 B2 *	9/2013	Zangari A47F 3/0408 62/246	2013/0000327 A1	1/2013	Olson, Jr. et al.
8,545,113 B2	10/2013	Johnson et al.	2013/0087577 A1	4/2013	Berge et al.
			2013/0104579 A1	5/2013	Zhou
			2013/0180267 A1	7/2013	Hartig et al.
			2013/0219925 A1	8/2013	Camatta et al.
			2014/0199151 A1	7/2014	Pape

* cited by examiner

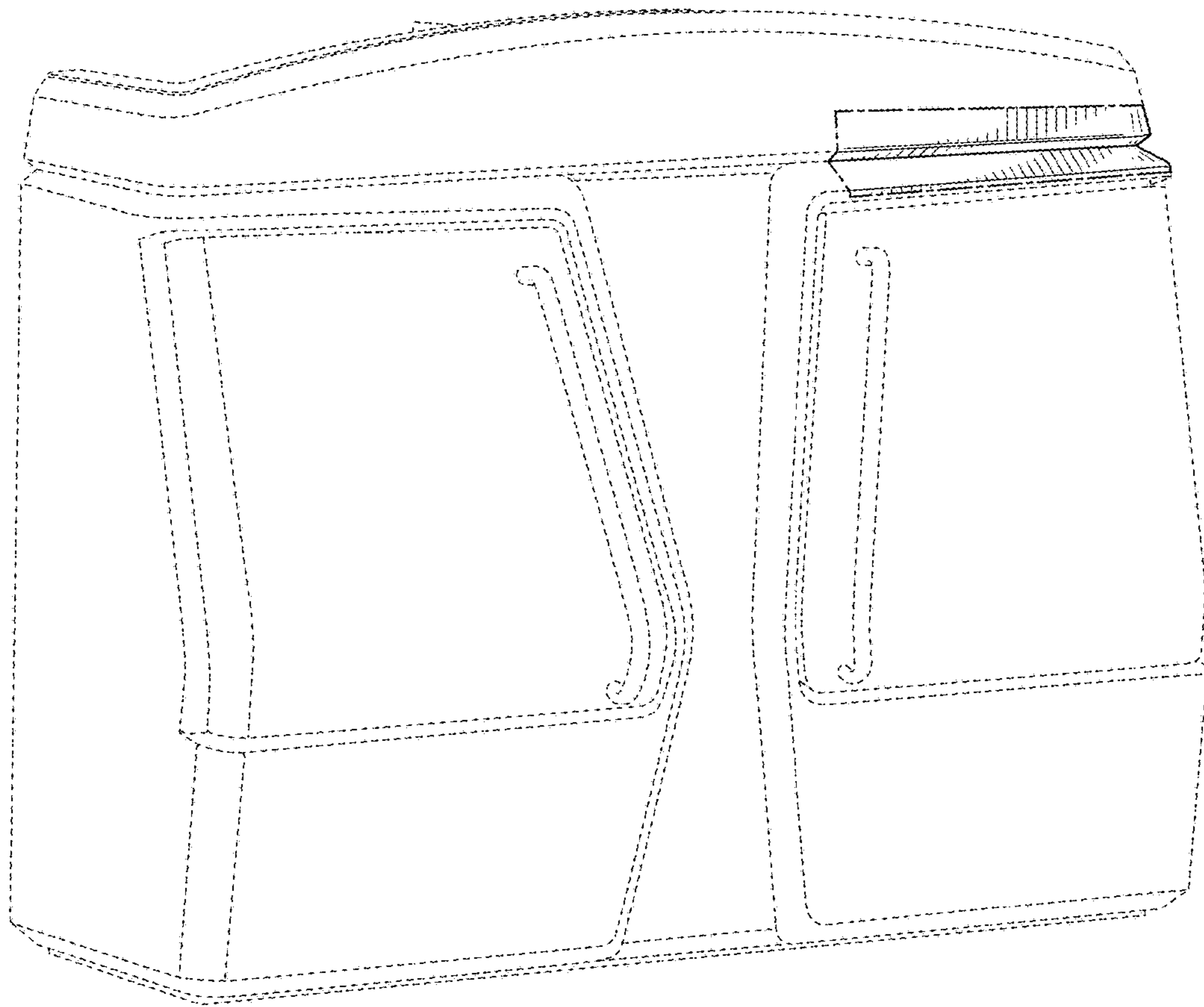


FIG. 1

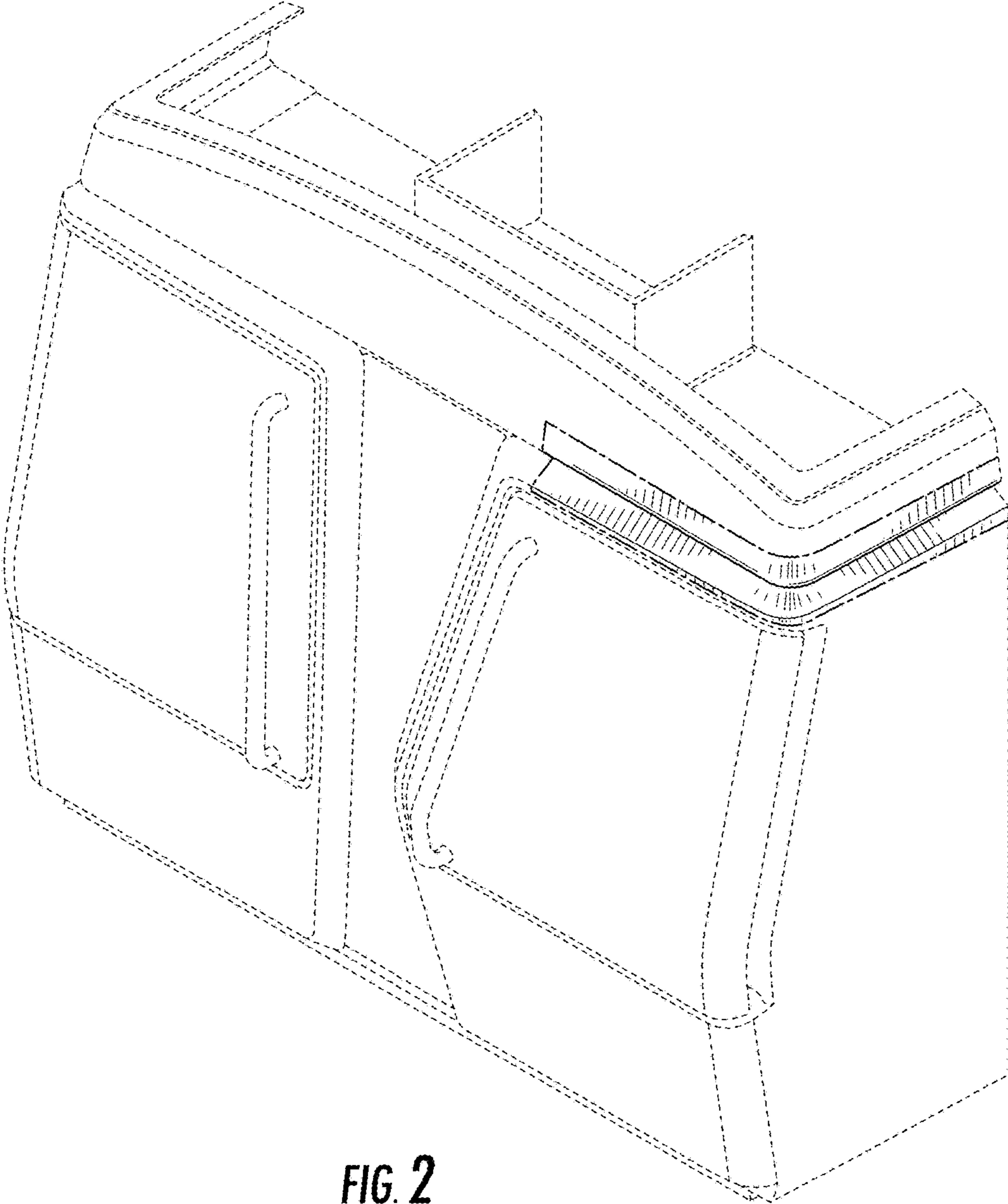


FIG. 2

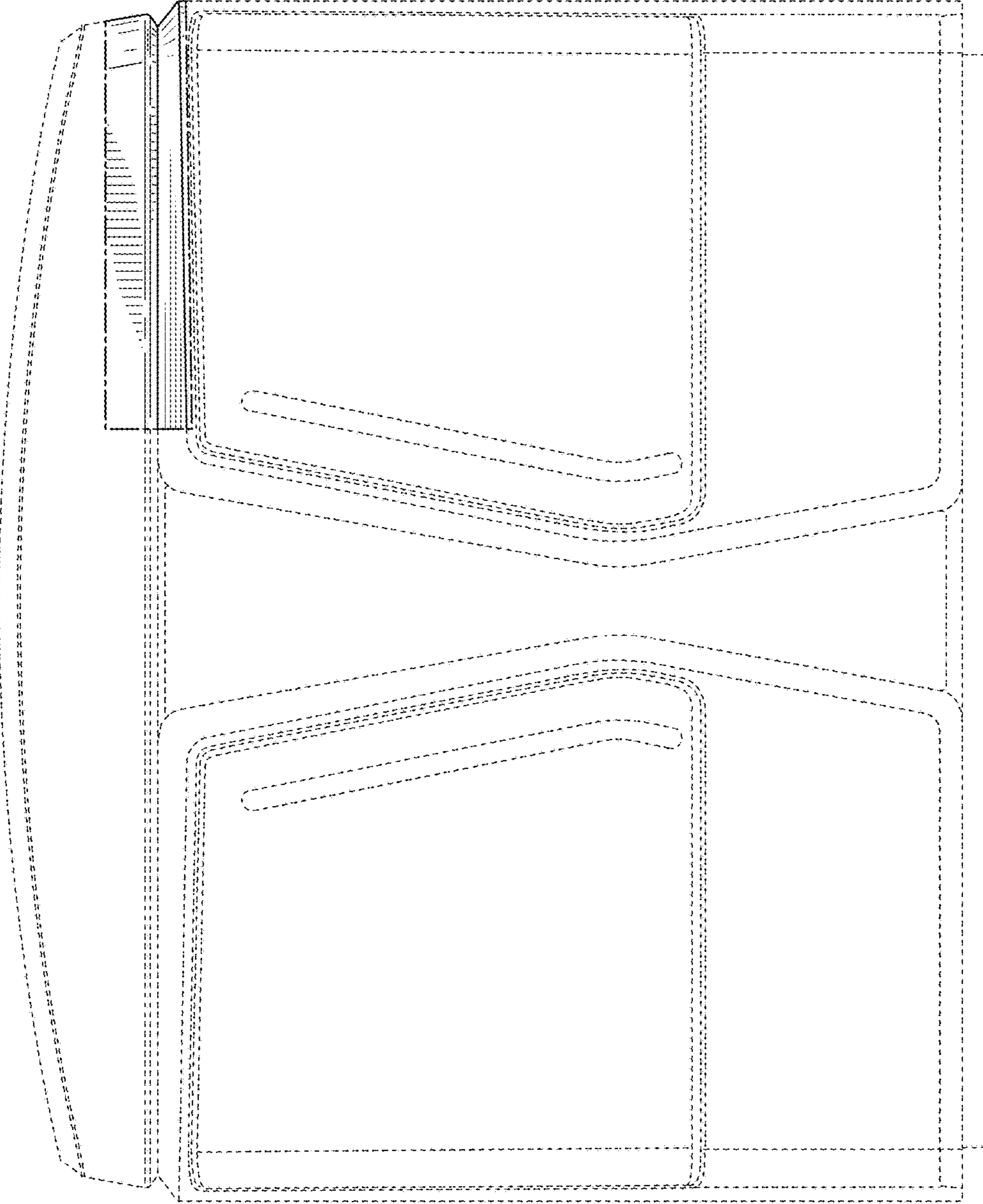


FIG. 3

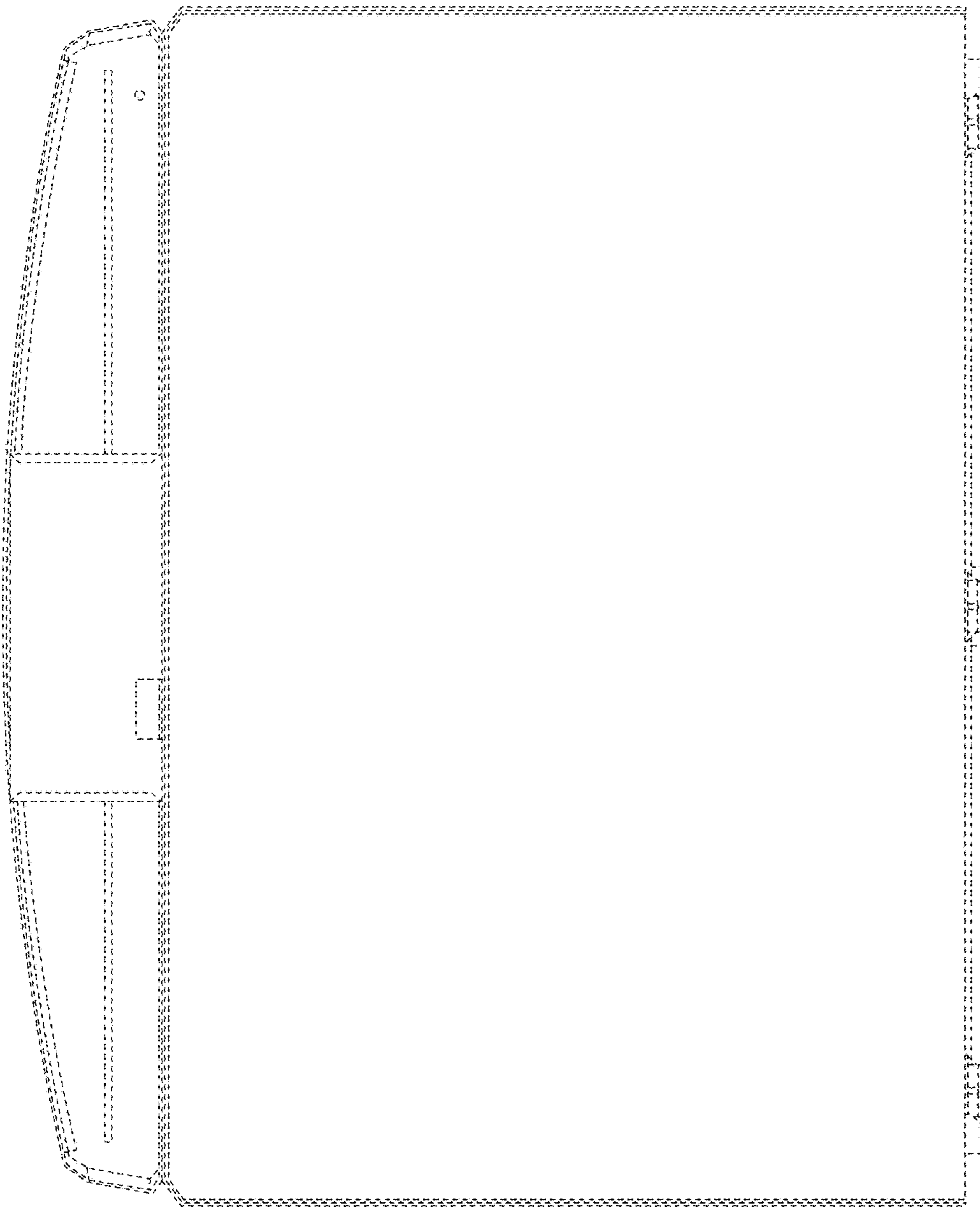


FIG. 4

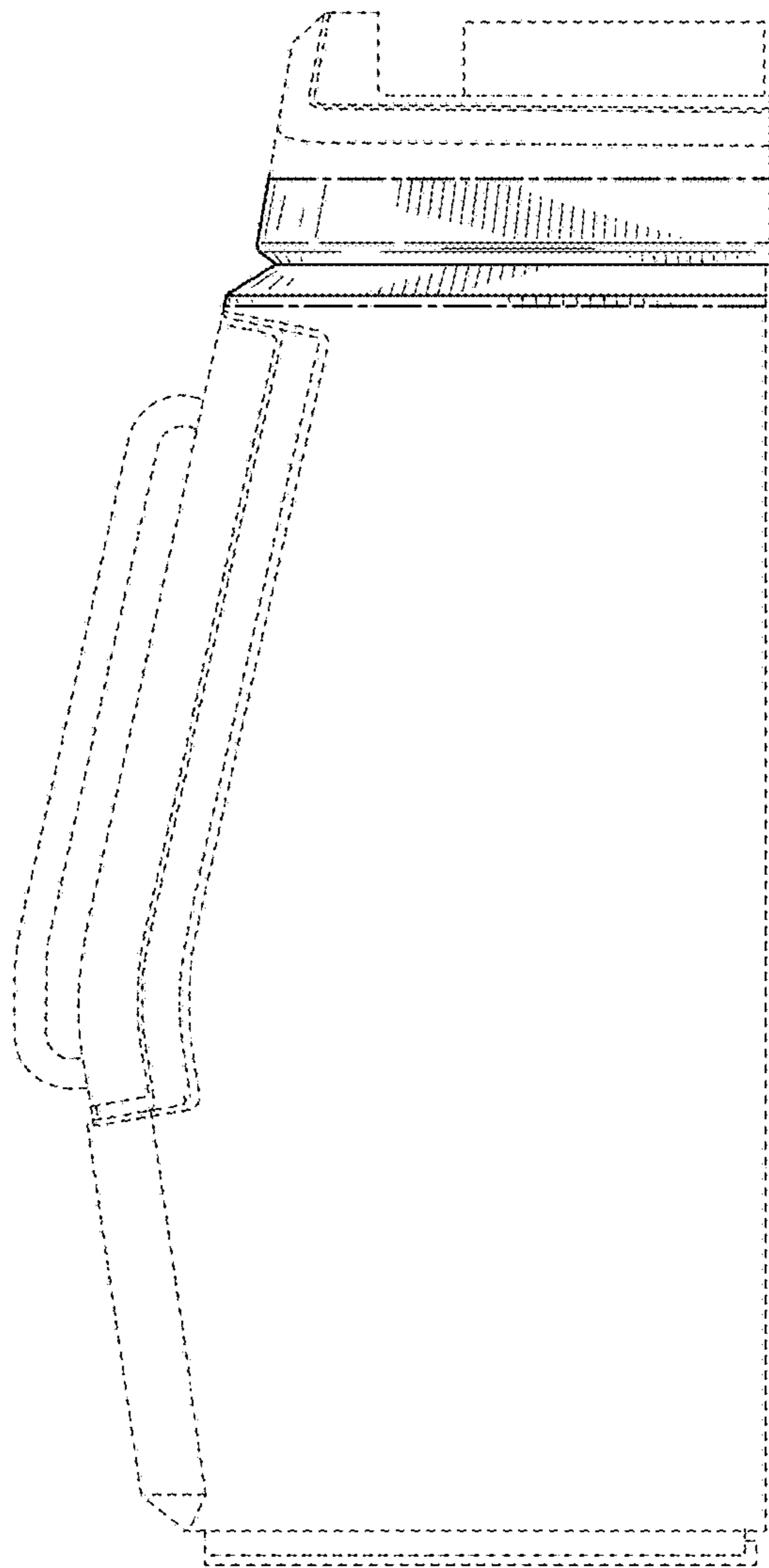


FIG. 5

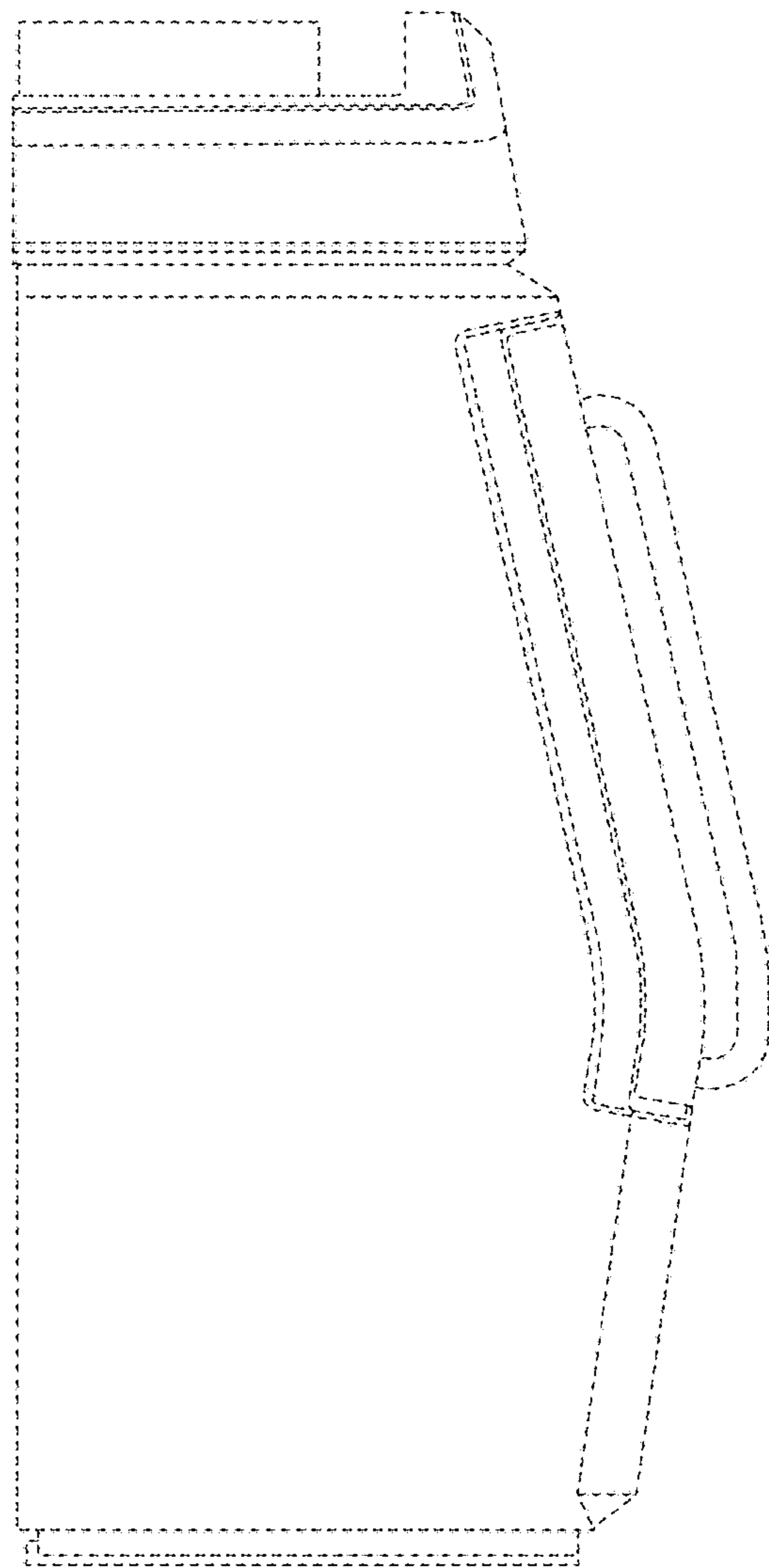


FIG. 6

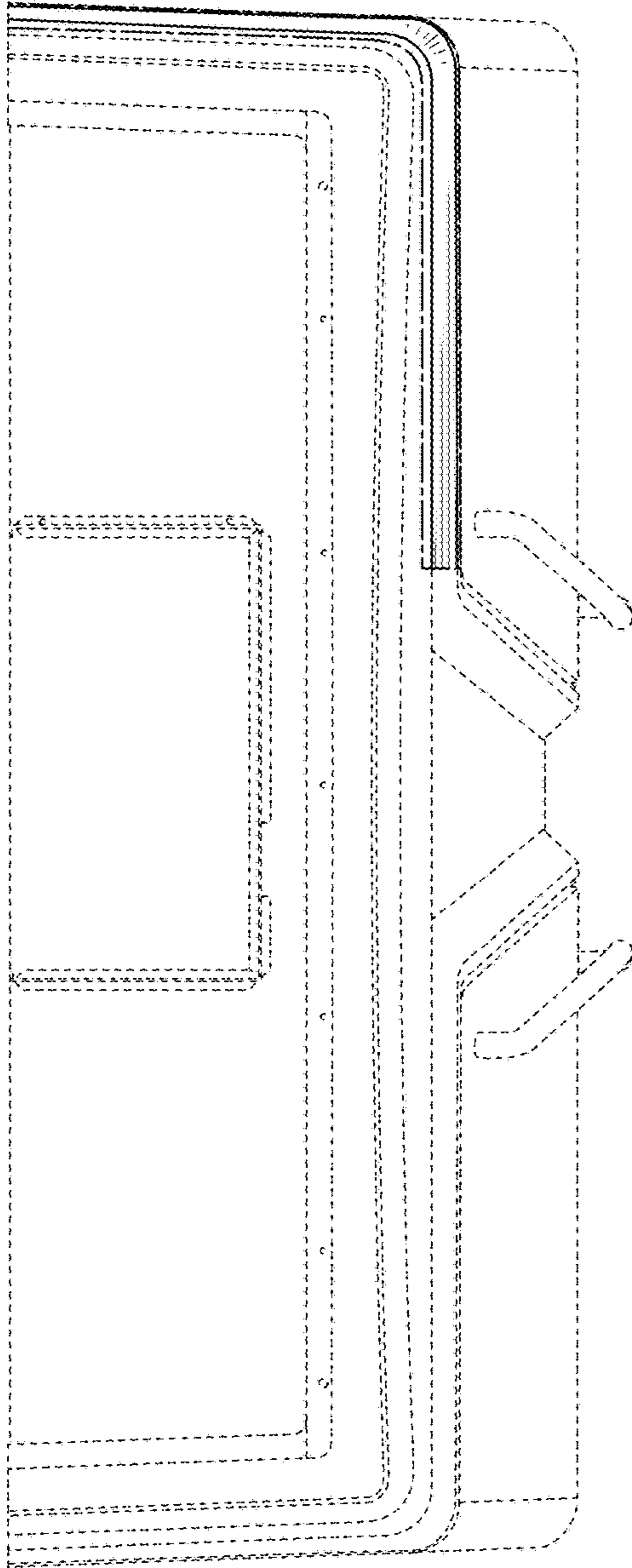


FIG. 7

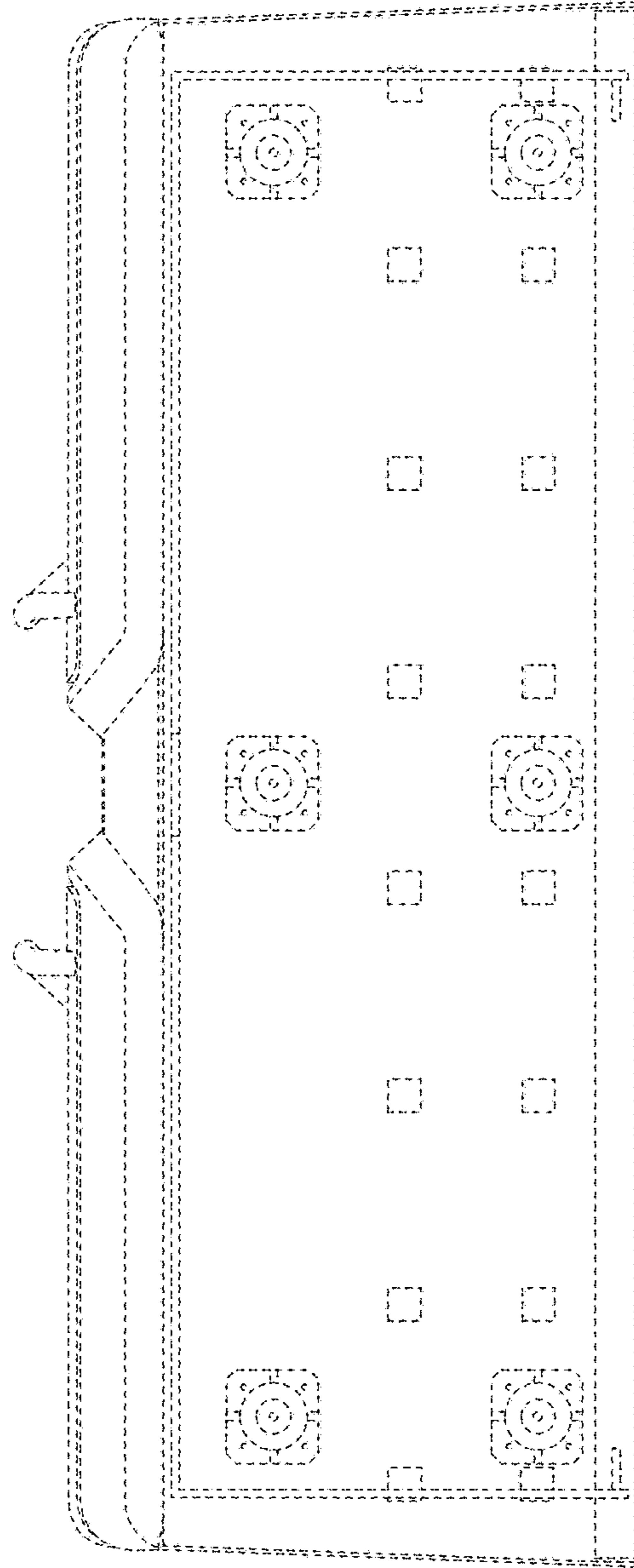


FIG. 8