



US00D775881S

(12) **United States Design Patent** (10) **Patent No.:** **US D775,881 S**
Zwebner (45) **Date of Patent:** **** Jan. 10, 2017**

(54) **OCCASIONAL TABLE**
(71) Applicant: **Felicia Zwebner**, Teaneck, NJ (US)
(72) Inventor: **Felicia Zwebner**, Teaneck, NJ (US)
(**) Term: **14 Years**
(21) Appl. No.: **29/492,450**
(22) Filed: **May 30, 2014**
(51) **LOC (10) Cl.** **06-03**
(52) **U.S. Cl.**
USPC **D6/692.3**; D6/687
(58) **Field of Classification Search**
USPC ... D6/349, 351, 641, 649, 650, 656, 656.11,
D6/656.13, 656.15, 678, 685, 686, 688,
D6/688.1, 688.24, 688.26, 688.27, 691,
D6/691.1, 691.5, 692, 692.3, 695, 696,
D6/696.1, 696.2, 696.3, 705, 708, 708.1,
D6/708.11, 708.13, 709, 709.1, 709.11,
D6/709.13, 645, 697, 406.3, 406.4, 406.5,
D6/406.6, 691.4
CPC A47B 1/00; A47B 1/08; A47B 2003/0821;
A47B 7/00; A47B 9/00; A47B
9/04; A47B 9/10; A47B 9/12; A47B 9/16;
A47B 13/00; A47B 2013/026; A47B
13/023; A47B 13/04; A47B 13/06; A47B
19/06; A47B 21/02; A47B
21/0314; A47B 2021/03
See application file for complete search history.

(56) **References Cited**
U.S. PATENT DOCUMENTS
D275,157 S * 8/1984 Rosen D6/692.3
D287,796 S * 1/1987 Evans D6/692.3
D392,478 S * 3/1998 Schwab D6/691.4

D453,082 S * 1/2002 Kobe D6/641
D583,169 S * 12/2008 Saelid D6/655.2
D692,264 S * 10/2013 Weatherly D6/692.3

OTHER PUBLICATIONS

'Avenue Six Yield Glass Circle Table, Chrome and Clear Glass'. walmart.com [online]. Dec. 25, 2010 [retrieved Jul. 29, 2016]. Retrieved from the Internet: <URL: https://www.walmart.com/ip/Avenue-Six-Yield-Glass-Circle-Table-Chrome/14235067>.*
'Eileen Gray Stainless Steel Accent Table Modern Furniture Sofa Tables Decor End'. ebay.com [online]. Jul. 27, 2016 [retrieved Jul. 27, 2016]. Retrieved from the Internet: <URL: http://www.ebay.com/itm/Eileen-Gray-Stainless-Steel-Accent-Table-Modern-Furniture-Sofa-Tables-Decor-End-/231784601436?hash=item35f770575c:g:K3YAAOSwo3pWb9PK>.*

* cited by examiner

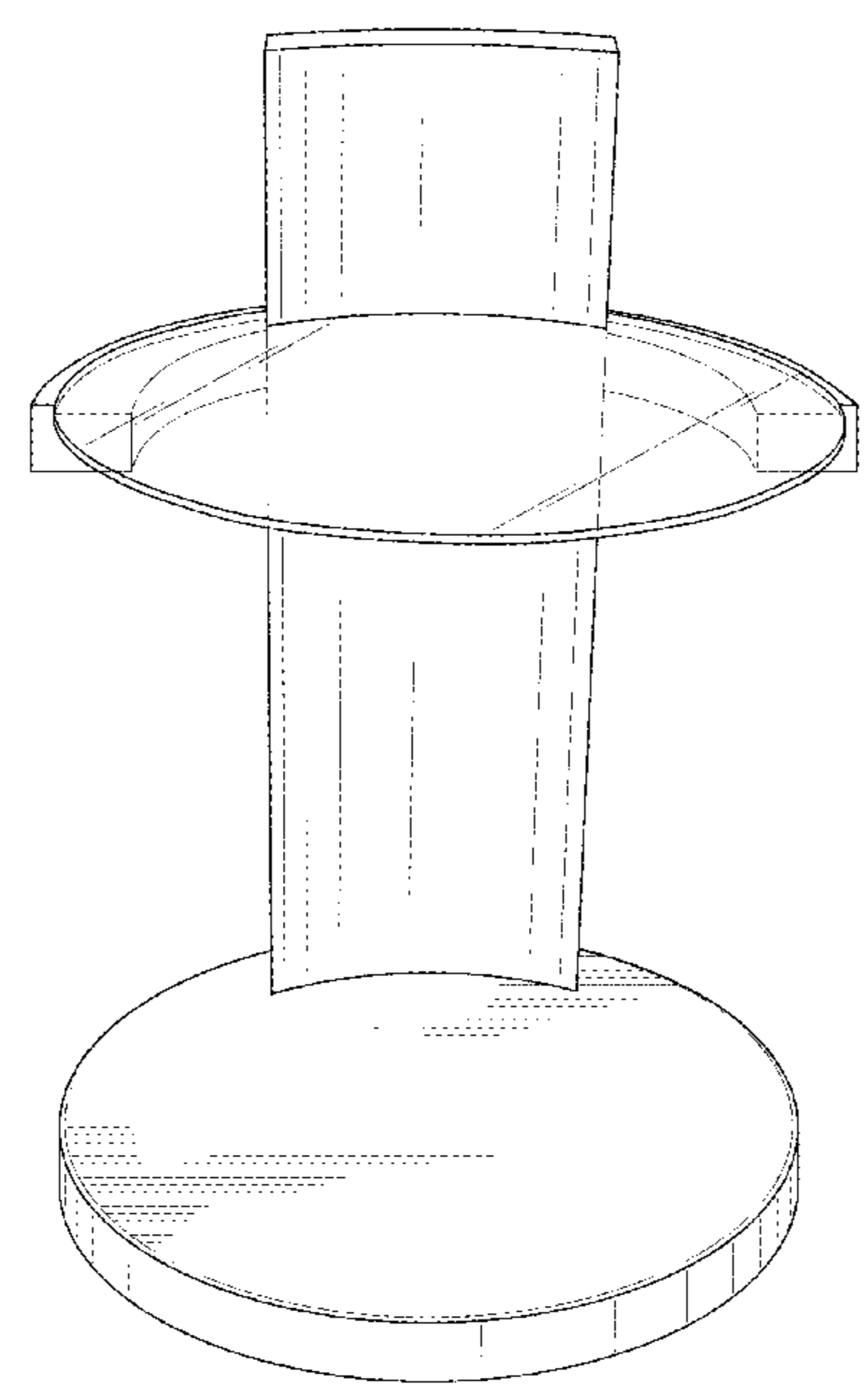
Primary Examiner — Mary Ann Calabrese
Assistant Examiner — Megan M Majcher Hartnett
(74) *Attorney, Agent, or Firm* — Tarter Krinsky & Drogin LLP

(57) **CLAIM**
The ornamental design for an occasional table, as shown and described.

DESCRIPTION

FIG. 1 is a front perspective view of a first embodiment of an occasional table;
FIG. 2 is a front view thereof;
FIG. 3 is a rear view thereof;
FIG. 4 is a first side view thereof;
FIG. 5 is a second side view thereof;
FIG. 6 is a top view thereof; and,
FIG. 7 is a bottom view thereof.

1 Claim, 7 Drawing Sheets



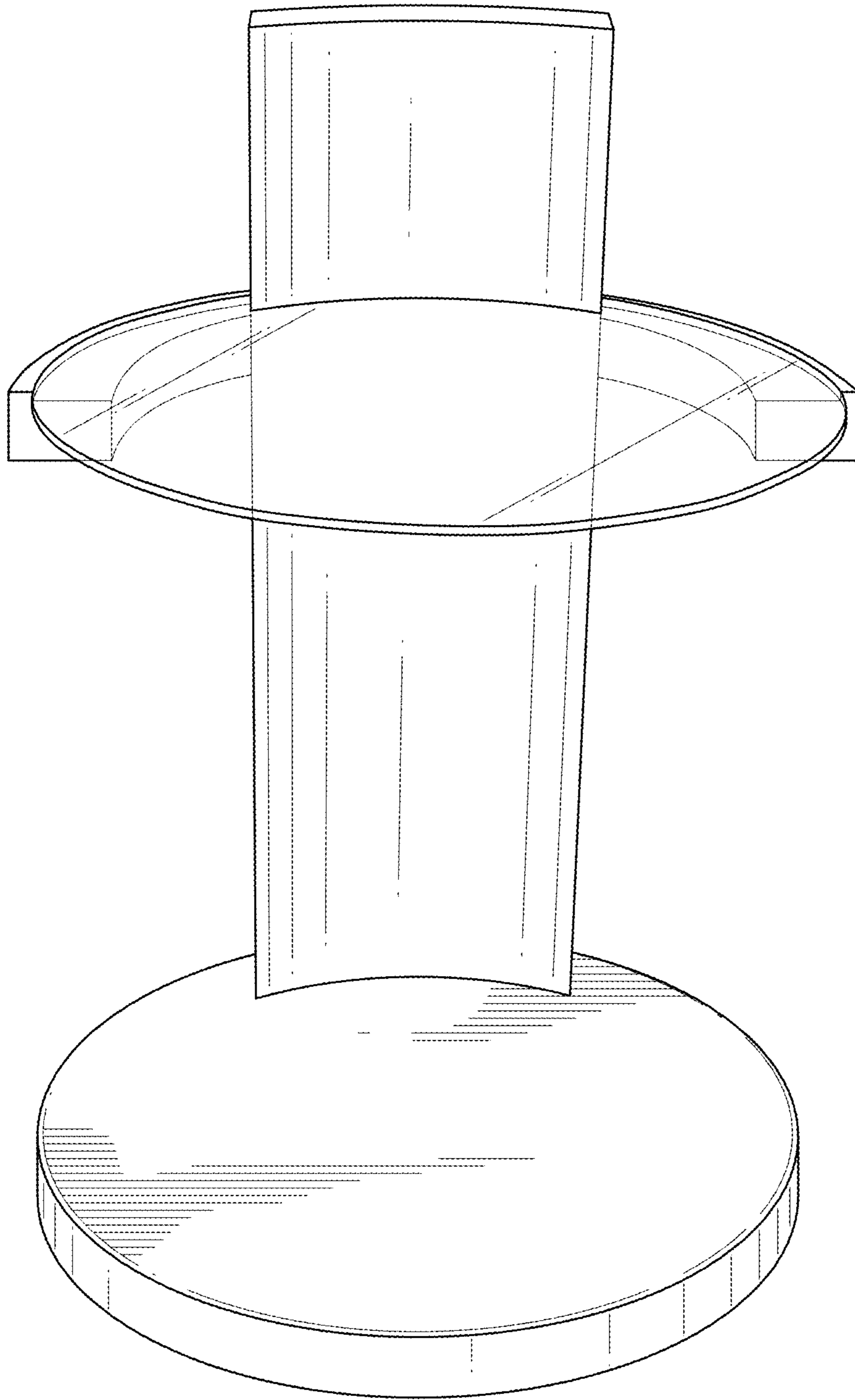


FIG. 1

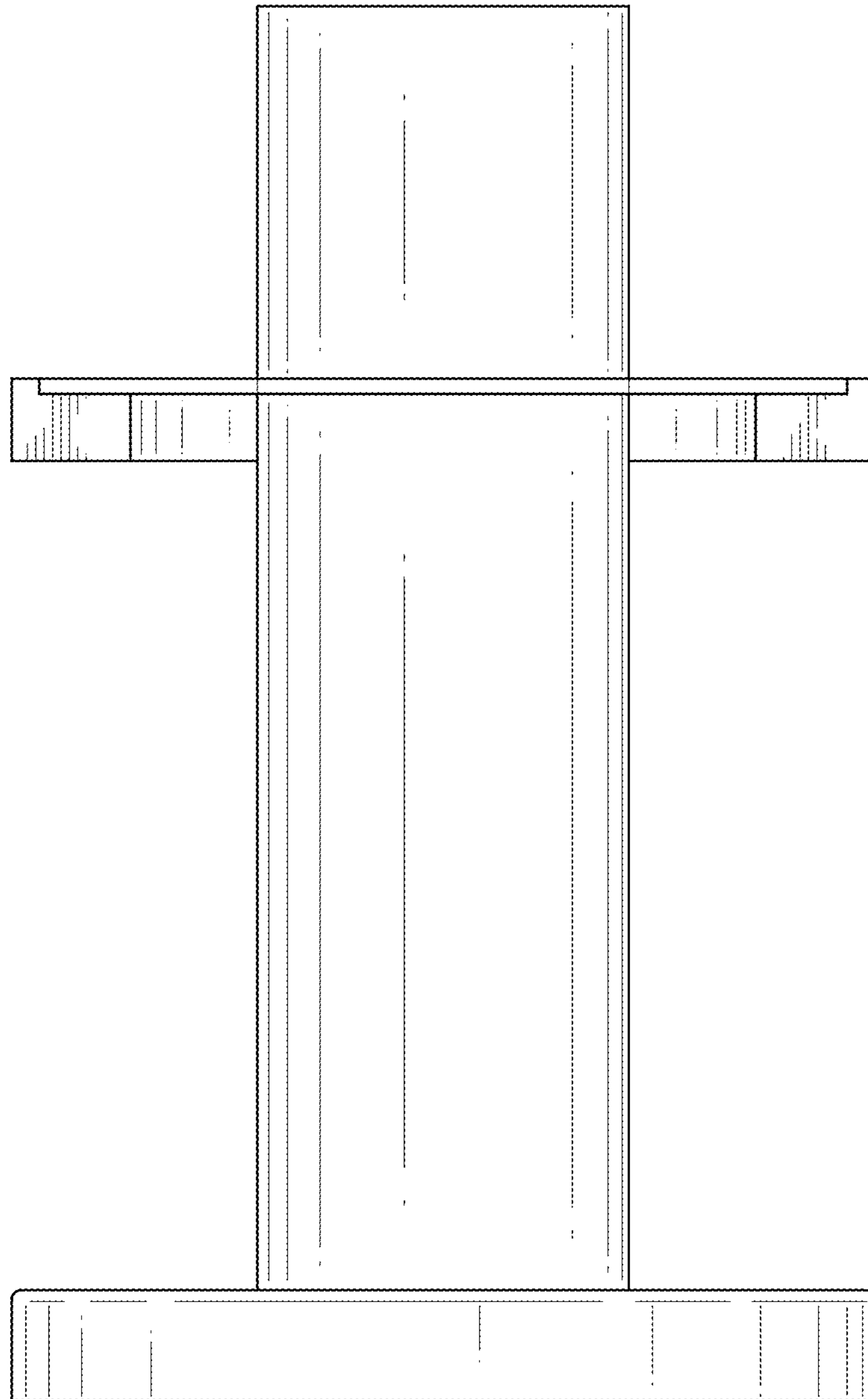


FIG. 2

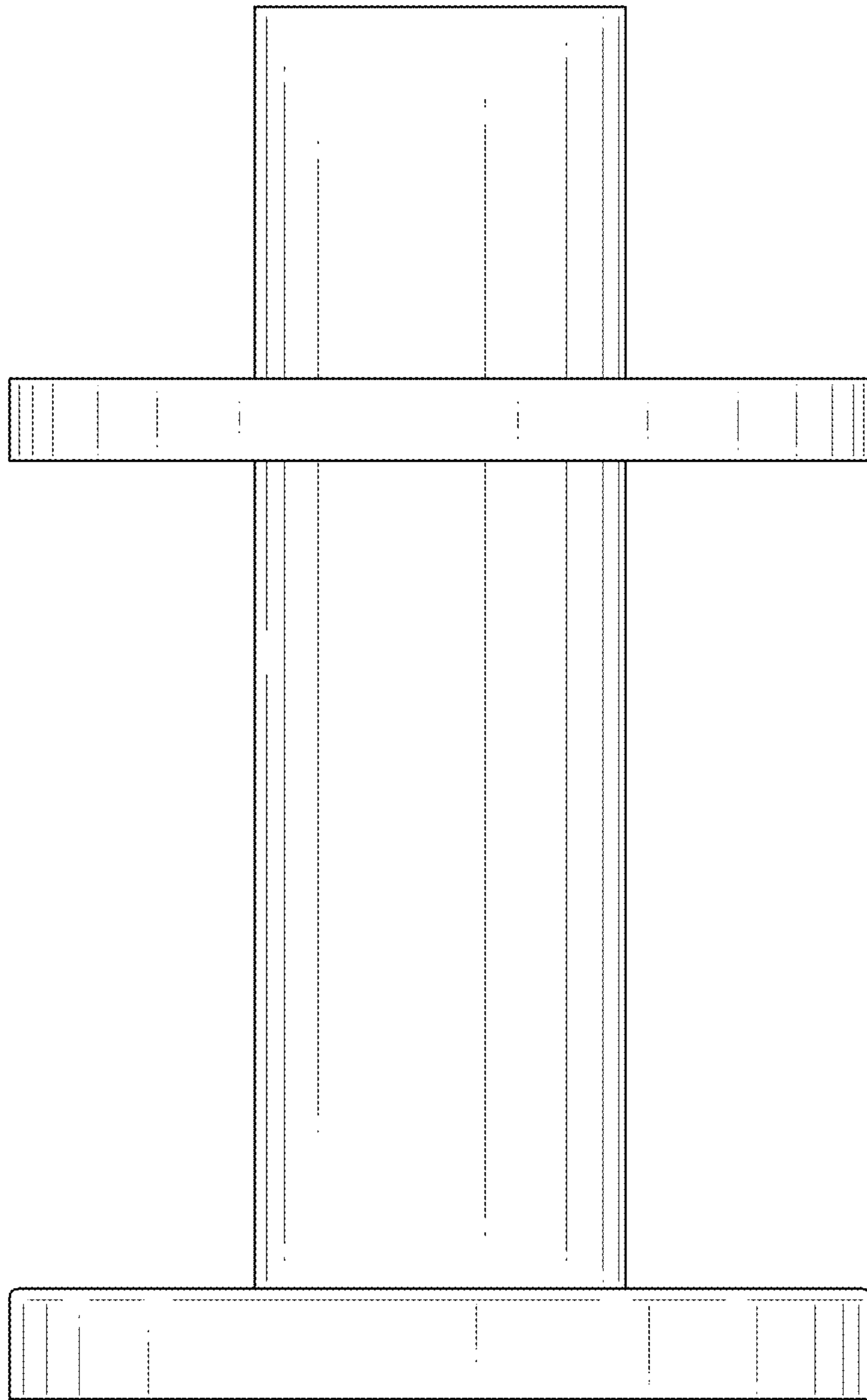


FIG. 3

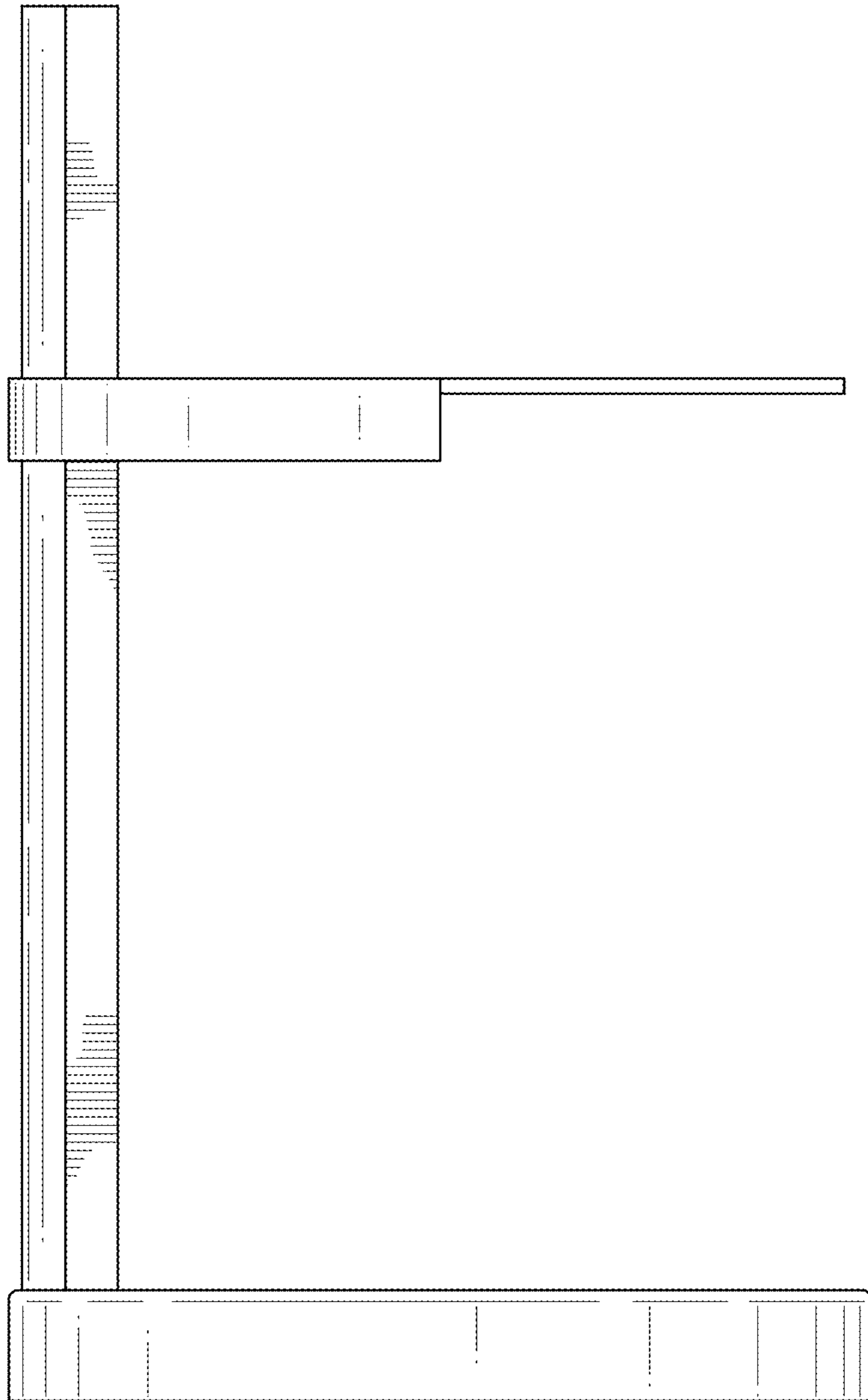


FIG.4

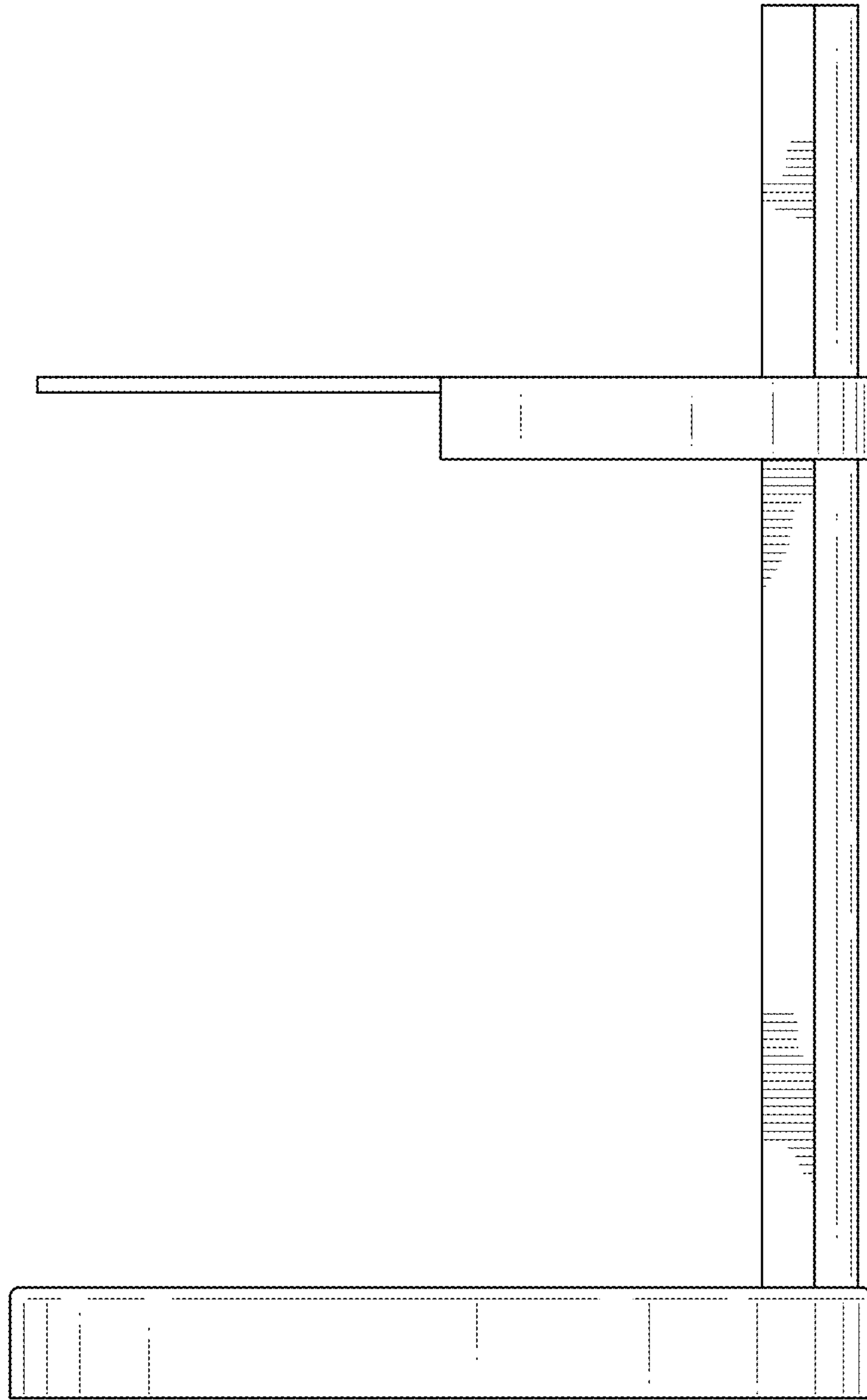


FIG. 5

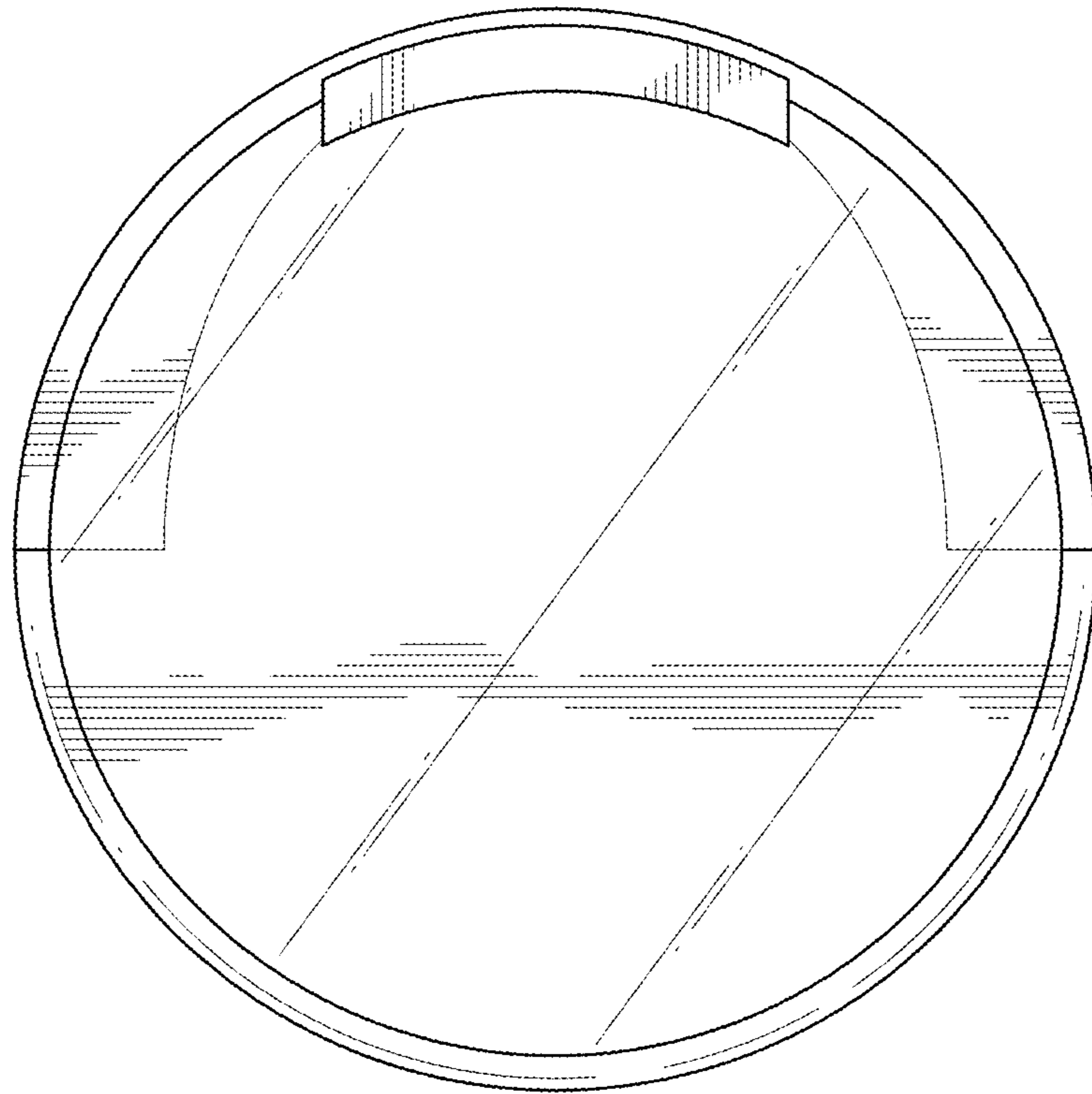


FIG.6

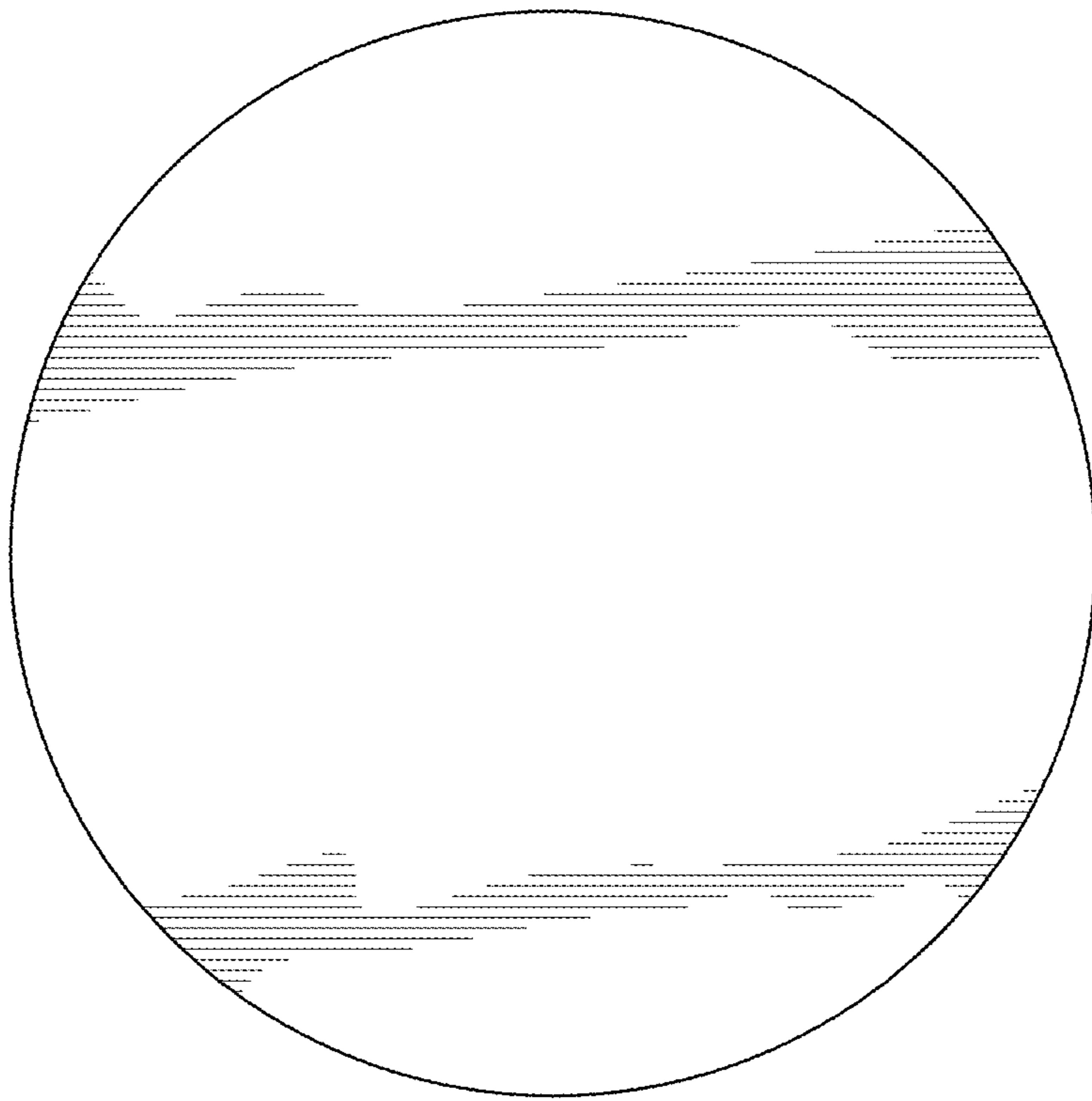


FIG. 7