



US00D775880S

(12) **United States Design Patent** (10) **Patent No.:** **US D775,880 S**
Grossinger et al. (45) **Date of Patent:** **** Jan. 10, 2017**

(54) **TABLE**

(71) Applicant: **HOK Product Design, LLC**, Culver City, CA (US)

(72) Inventors: **Susan Grossinger**, Culver City, CA (US); **Brett Shwery**, Culver City, CA (US); **Javier Palomares**, Culver City, CA (US); **Junko Yamakawa**, Culver City, CA (US)

(73) Assignee: **HOK Product Design, LLC**, Culver City, CA (US)

(**) Term: **15 Years**

(21) Appl. No.: **29/545,107**

(22) Filed: **Nov. 10, 2015**

(30) **Foreign Application Priority Data**

May 11, 2015 (JP) 2015-010165

May 11, 2015 (JP) 2015-010166

(51) **LOC (10) Cl.** **06-03**

(52) **U.S. Cl.**
USPC **D6/692**

(58) **Field of Classification Search**
USPC D6/332, 337, 357, 406.3, 553, 555, 641, D6/643, 643.1, 644, 648, 648.2, 648.3, D6/653, 653.1, 654, 654.18, 656, 656.13, D6/656.15, 672, 685, 687, 692, 692.3, D6/692.4, 698, 708, 708.17

(Continued)

(56) **References Cited**

U.S. PATENT DOCUMENTS

D218,903 S * 10/1970 Chichester D6/691.8

D225,712 S * 1/1973 McDonald D6/691

(Continued)

OTHER PUBLICATIONS

‘American country style wood tables industrial office computer desk study desk wood wrought iron tables’. annarborcivicballet.com [online]. Undated [retrieved Sep. 23, 2016]. Retrieved from the Internet: <URL: http://annarborcivicballet.com/american-country-style-wood-tables-industrial-office-computer-desk-study-desk-wood-wrought-iron-tables-p-158.*

(Continued)

Primary Examiner — Mary Ann Calabrese

Assistant Examiner — Megan M Majcher Hartnett

(74) *Attorney, Agent, or Firm* — Sughrue Mion, PLLC

(57) **CLAIM**

The ornamental design for a table, as shown and described.

DESCRIPTION

FIG. 1 is a perspective view of a first embodiment of a table. FIG. 2 is a front elevation view thereof. A rear elevation view is identical to the front elevation view.

FIG. 3 is a right side elevation view thereof. A left side elevation view is identical to the right side elevation view.

FIG. 4 is a top plan view thereof.

FIG. 5 is a bottom plan view thereof.

FIG. 6 is an enlarged cross-sectional view taken along the line 6-6 in FIG. 2.

FIG. 7 is an enlarged cross-sectional view taken along the line 7-7 in FIG. 2.

FIG. 8 is an enlarged cross-sectional view taken along the line 8-8 in FIG. 3.

FIG. 9 is a perspective view of a second embodiment of a table.

FIG. 10 is a front elevation view thereof. A rear elevation view is identical to the front elevation view.

FIG. 11 is a right side elevation view thereof. A left side elevation view is identical to the right side elevation view.

FIG. 12 is a top plan view thereof.

FIG. 13 is a bottom plan view thereof.

FIG. 14 is a cross-sectional view taken along the line 14-14 in FIG. 10.

FIG. 15 is a cross-sectional view taken along the line 15-15 in FIG. 10; and,

(Continued)

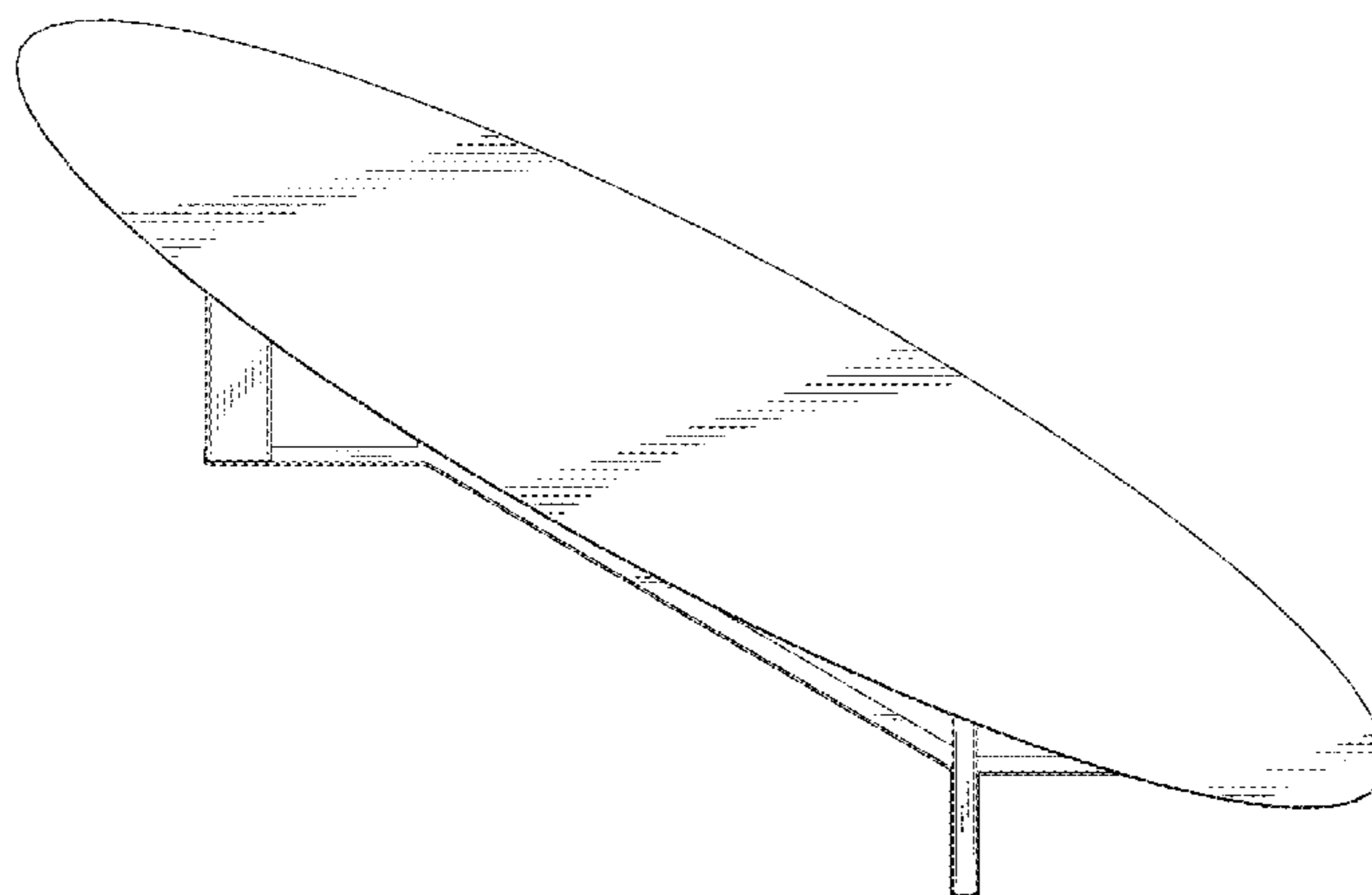


FIG. 16 is a cross-sectional view taken along the line 16-16 in FIG. 11.

D668,893 S *	10/2012	Lehman-Smith	D6/708
D685,216 S *	7/2013	Stromborg	D6/708
D765,450 S *	9/2016	Biddle	D6/691

1 Claim, 16 Drawing Sheets

(58) **Field of Classification Search**

CPC A47B 3/00; A47B 5/00; A47B 7/00;
 A47B 7/02; A47B 21/00; A47B 21/0314;
 A47B 2021/0364; A47B 23/00; A47B
 23/001; A47B 23/04; A47B 31/06

See application file for complete search history.

(56) **References Cited**

U.S. PATENT DOCUMENTS

D228,106 S *	8/1973	Klotz	D6/691.6
D236,786 S *	9/1975	Smith	D6/691.1
D281,747 S *	12/1985	Berry, Jr.	D6/692
D376,712 S *	12/1996	Mezger	D6/656
D585,669 S *	2/2009	Gharabegian	D6/692.4
D662,335 S *	6/2012	Schultz	D6/691.8

OTHER PUBLICATIONS

'Archie Rectangular Dining Table with Glass Top'. houzz.com [online]. Undated [retrieved Sep. 23, 2016]. Retrieved from the Internet: <URL: <http://www.houzz.com/photos/35329998/Archie-180-Rectangular-Dining-Table-With-Glass-Top-dining-tables>>.*

'Quickship Modern Boat Shaped Conference Tables— 6' Table'. .com [online]. Undated [retrieved Sep. 23, 2016]. Retrieved from the Internet: <URL: <http://www.modernofficefurniture.com/boat-shaped-tables-y11353.html>>.*

'Solid Industrial Dining Table'. etsy.com [online]. Jun. 4, 2016 [retrieved Sep. 23, 2016]. Retrieved from the Internet: <URL: <https://www.etsy.com/listing/241058346/solid-industrial-dining-table>>.*

Puhala, Kate. 'The 50 Most Beautiful Coffee Tables Ever'. brit.co [online]. Aug. 20, 2013 [retrieved Sep. 23, 2016]. p. 15. Retrieved from the Internet: <URL: <http://www.brit.co/beautiful-coffee-tables/>>.*

* cited by examiner

FIG. 1

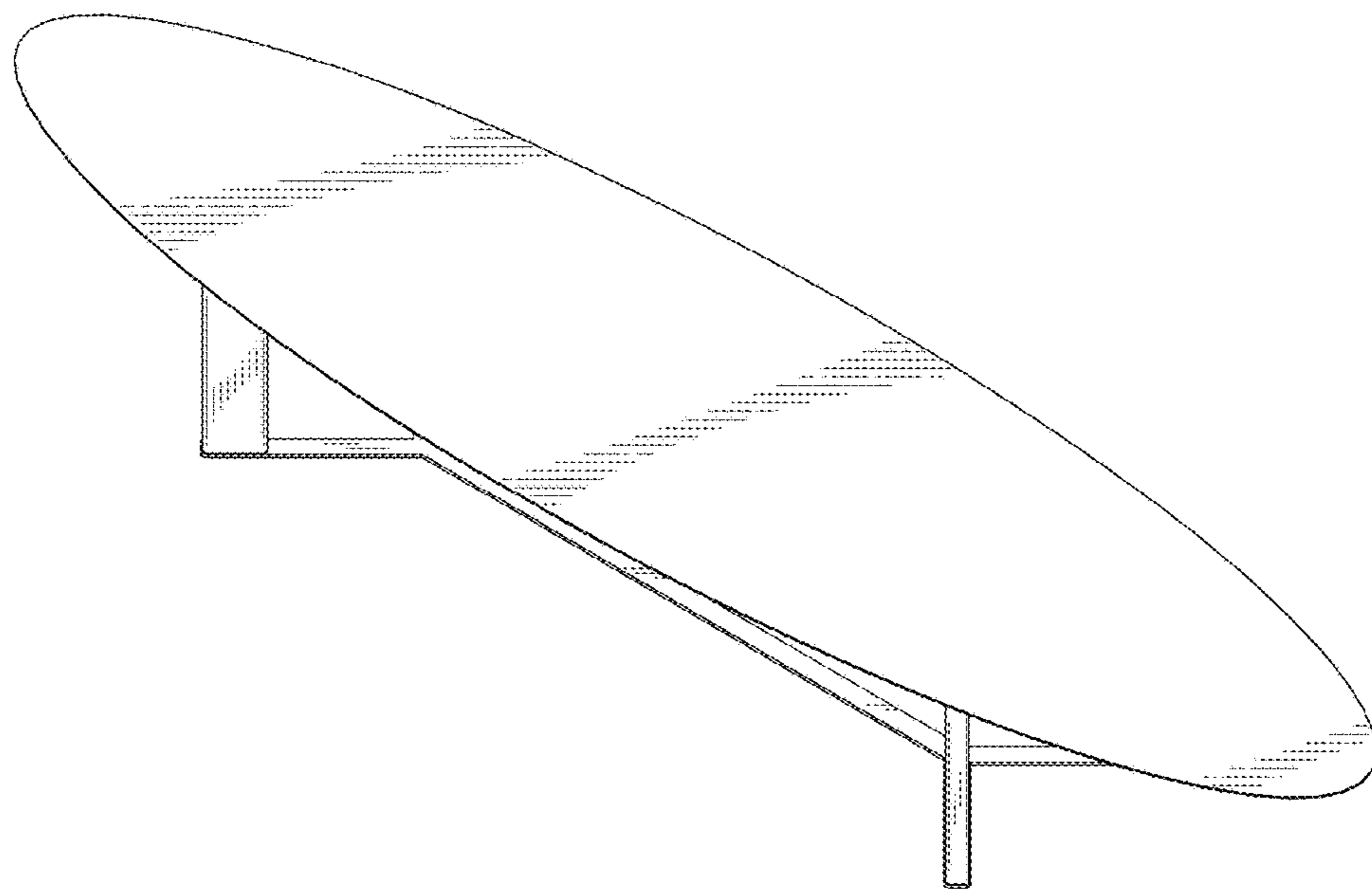


FIG. 2

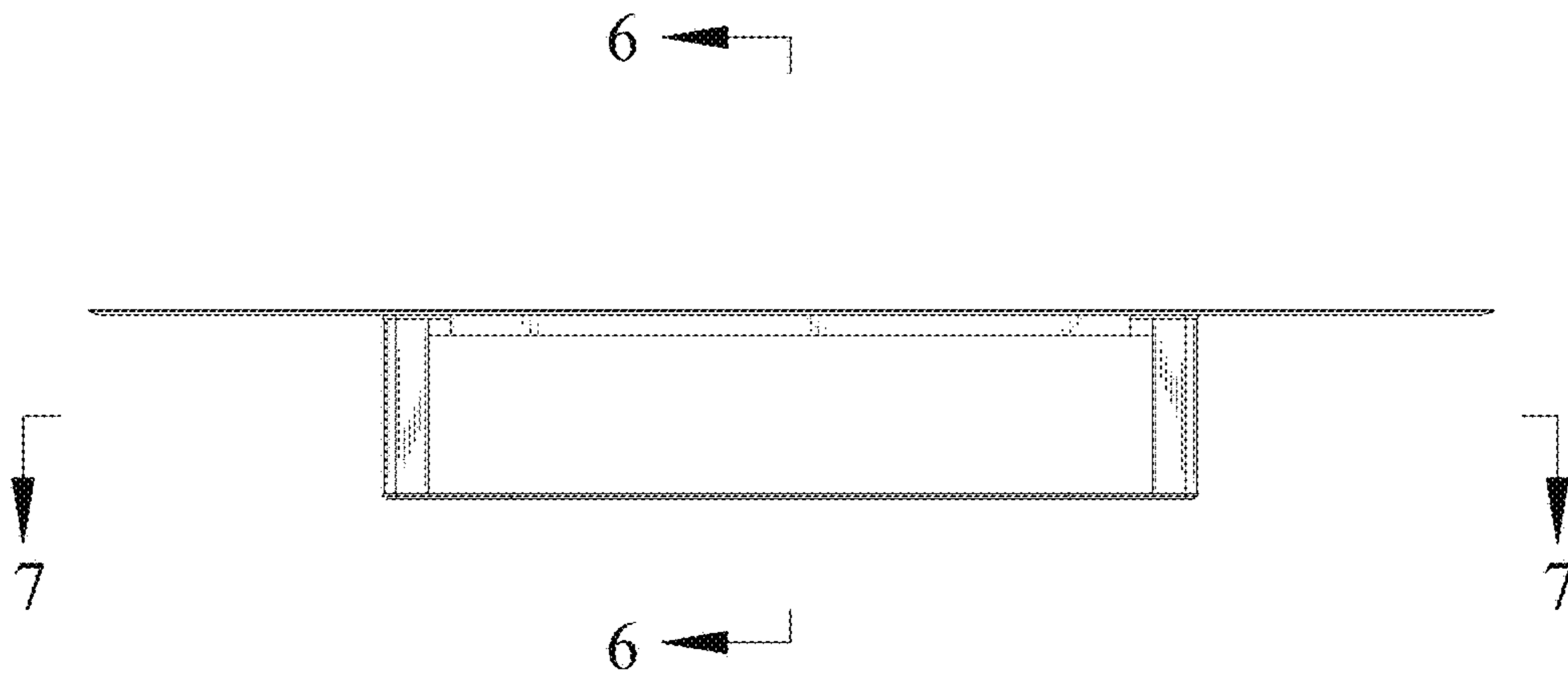
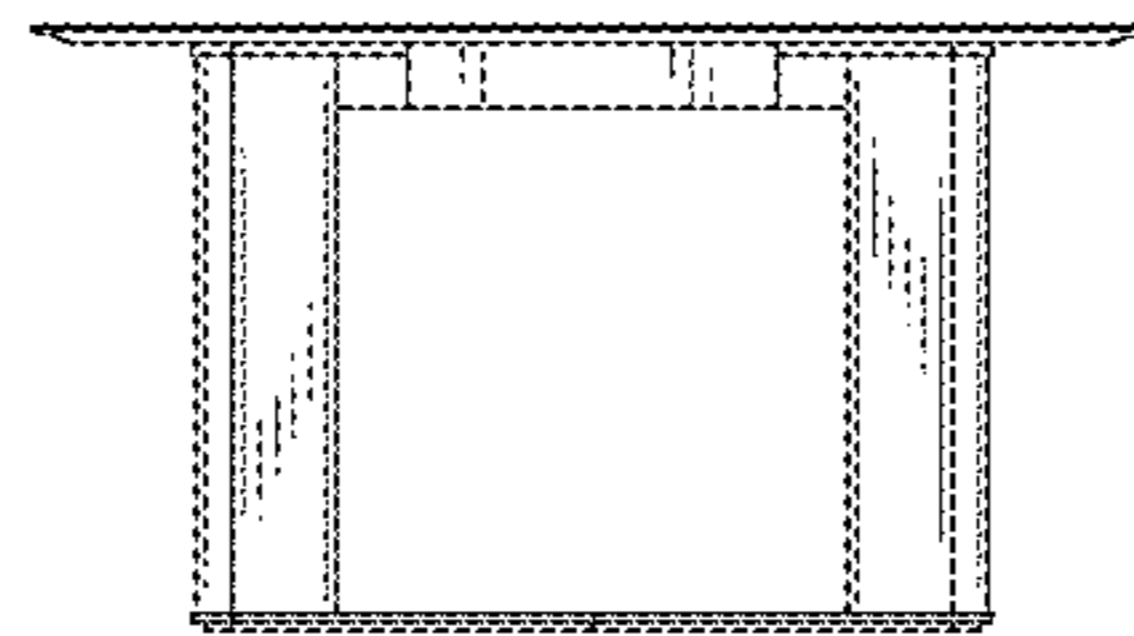


FIG. 3

8 ←



8 ←

FIG. 4

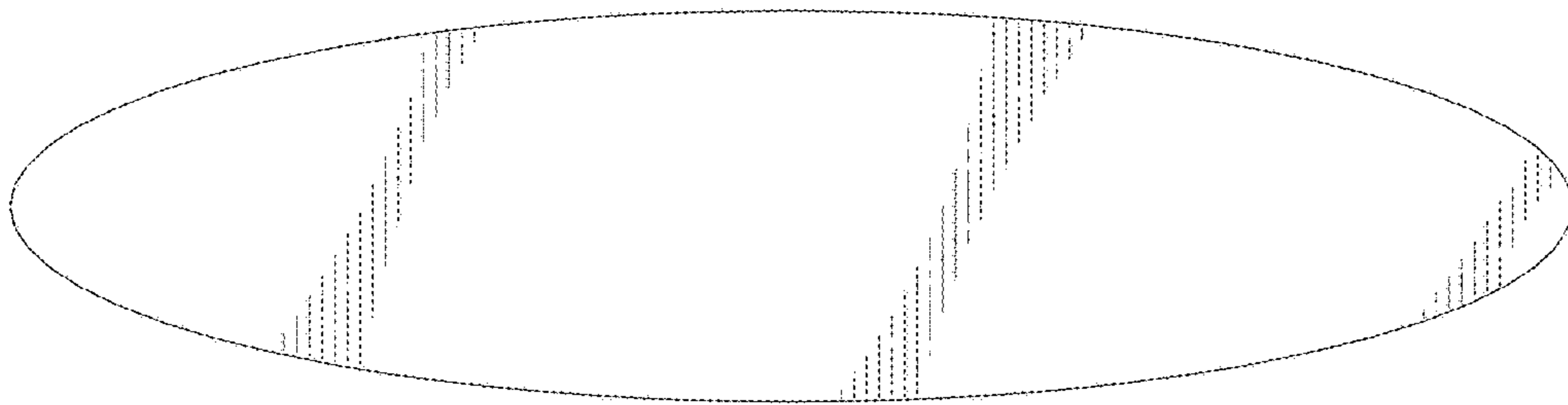


FIG. 5

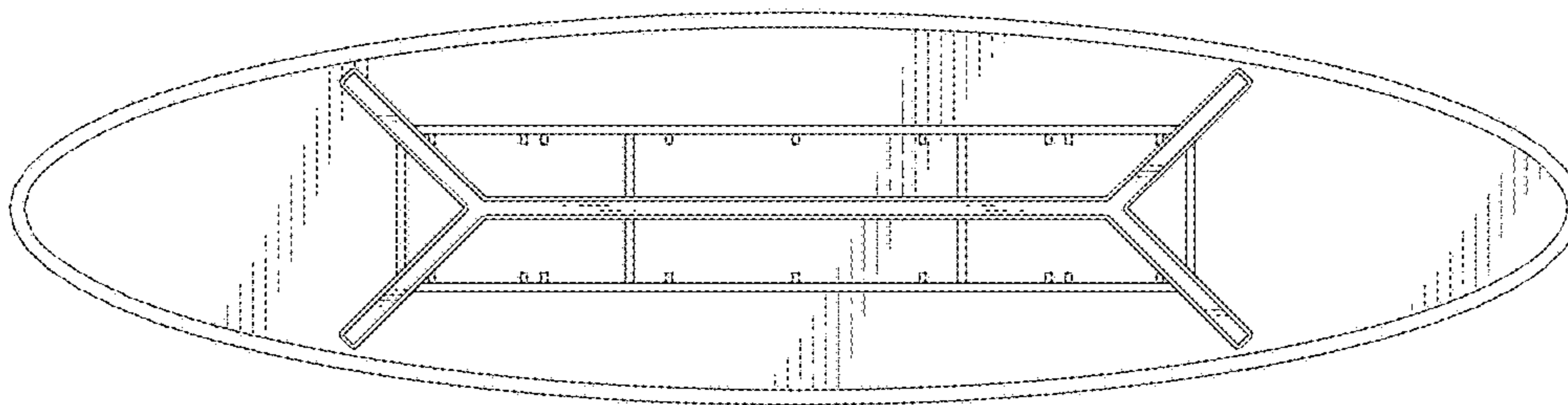


FIG. 6

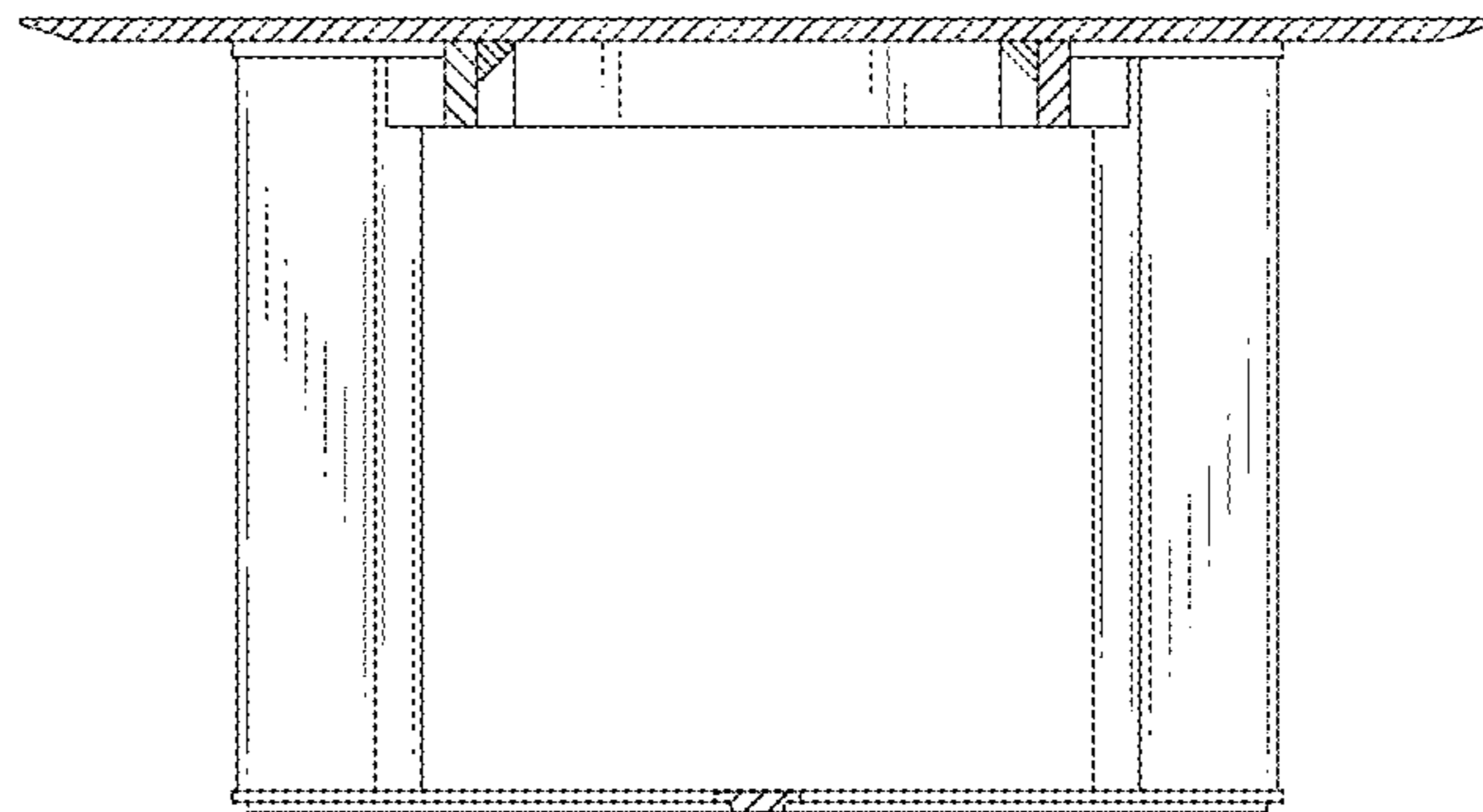


FIG. 7

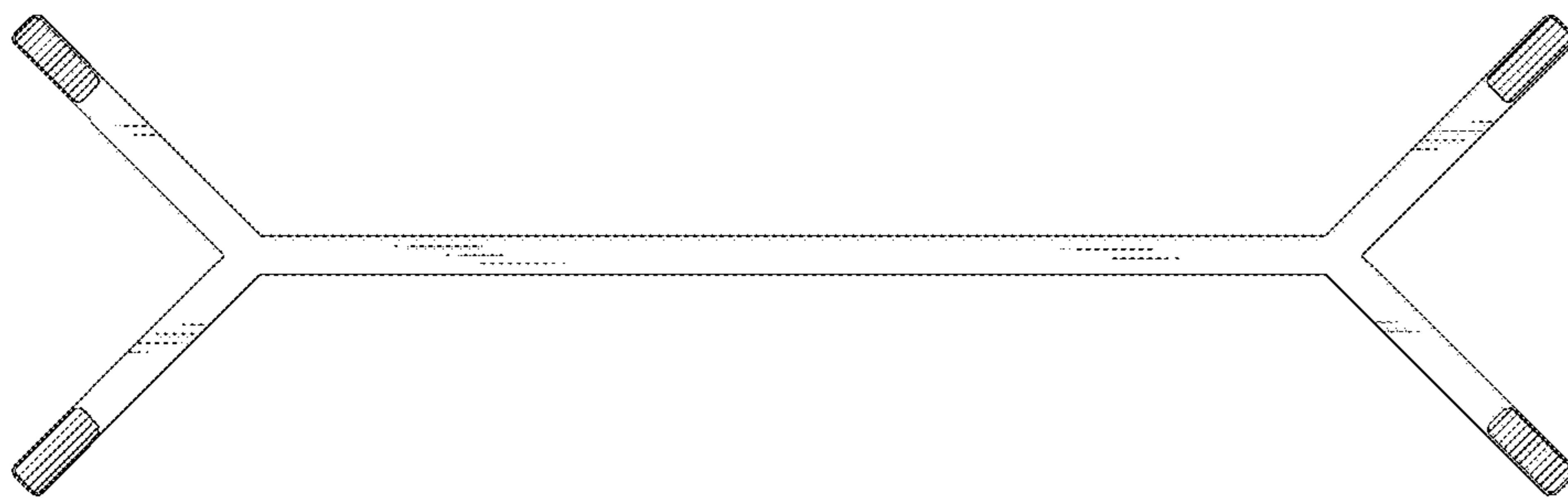


FIG. 8

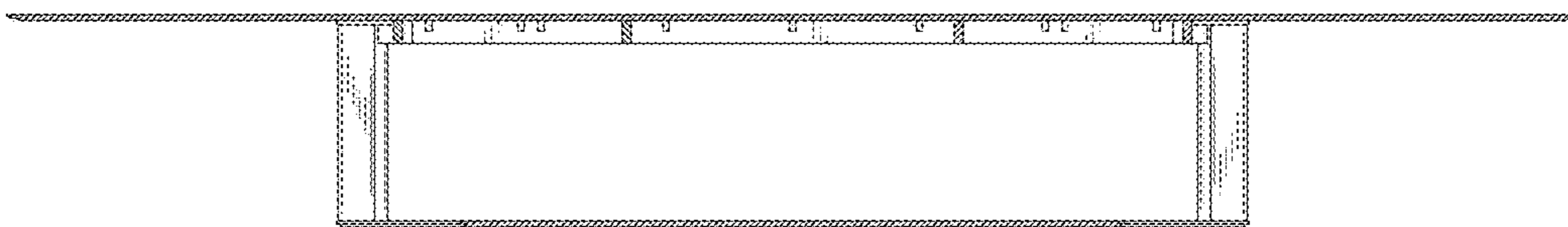


FIG. 9

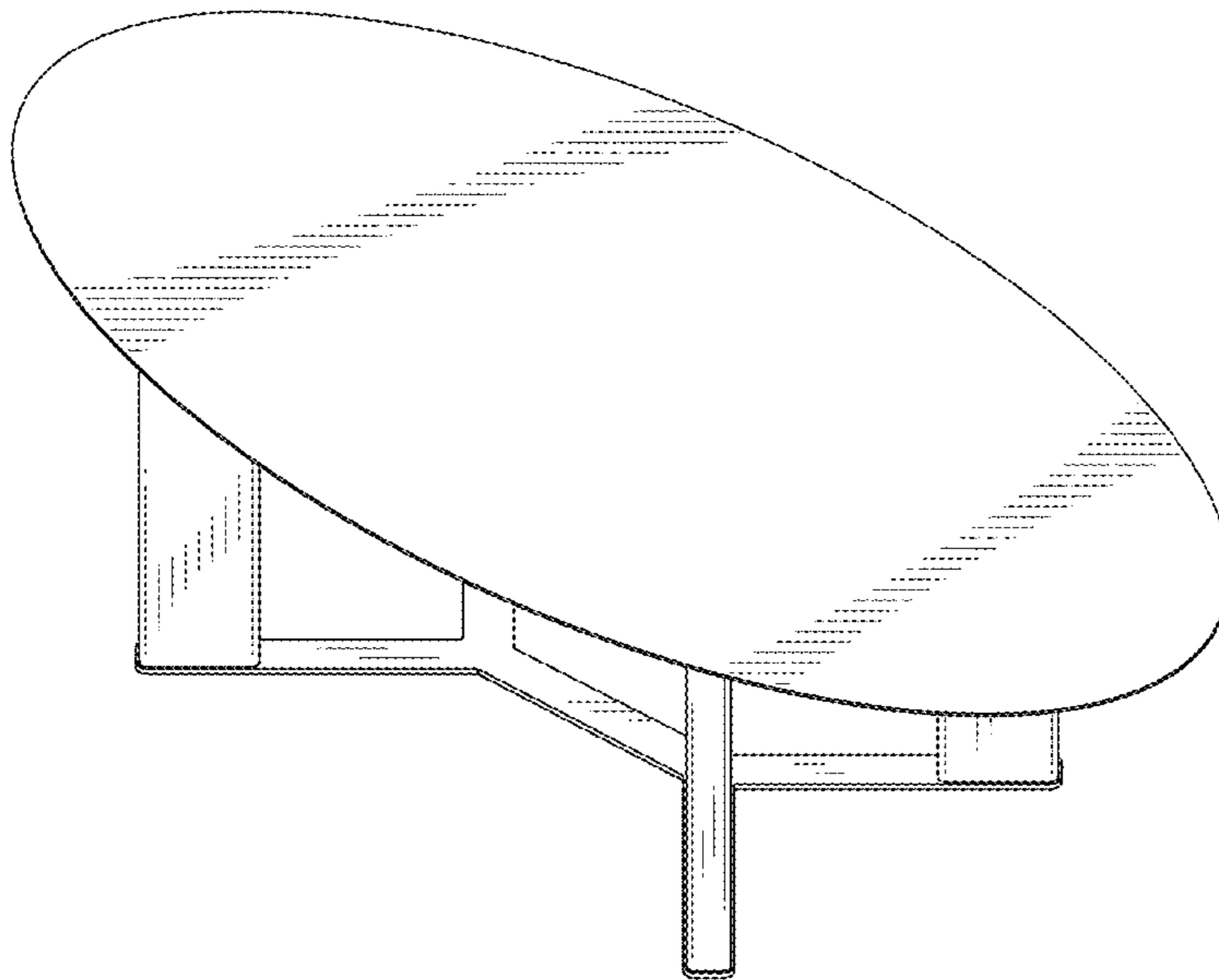


FIG. 10

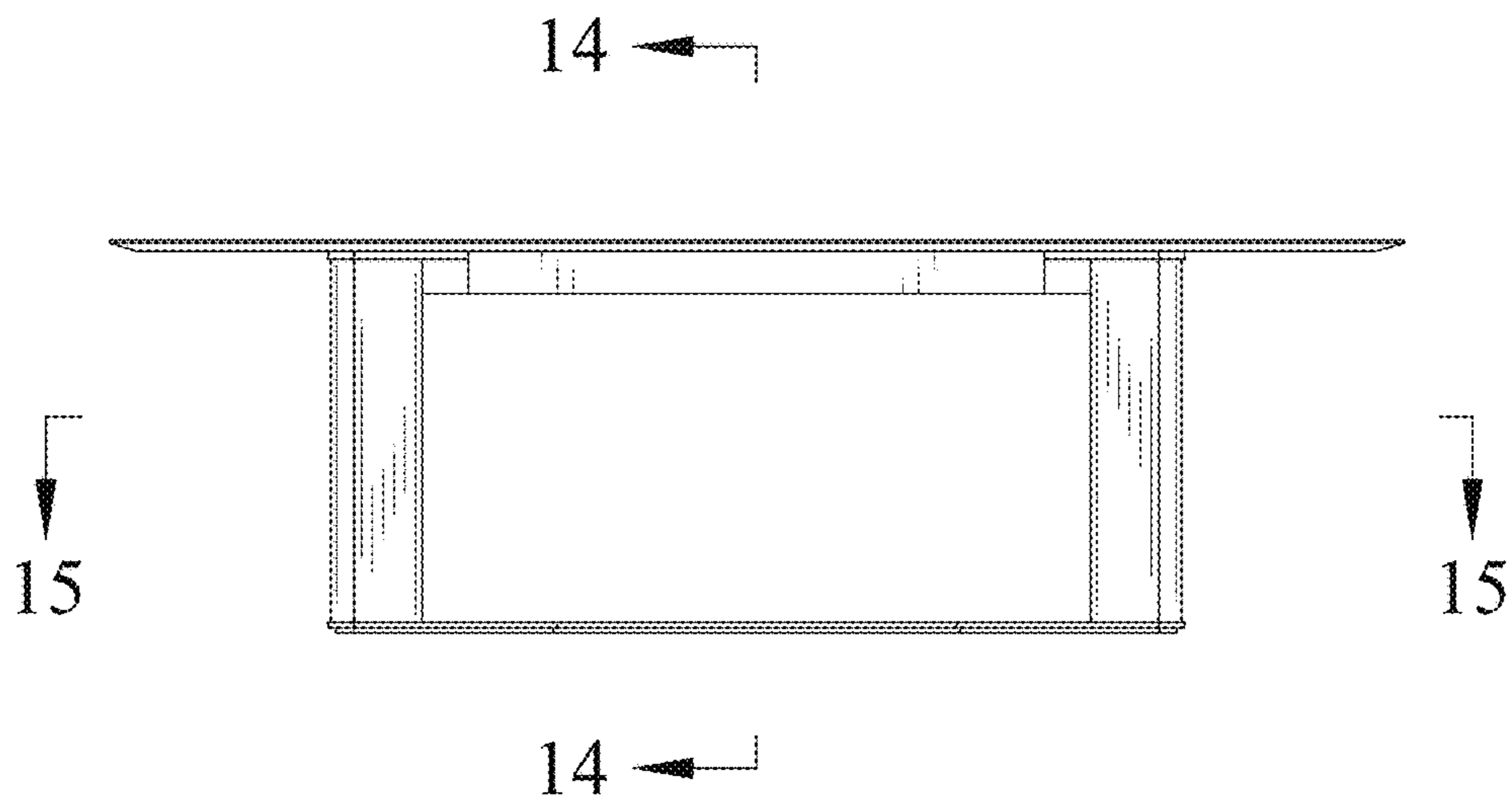
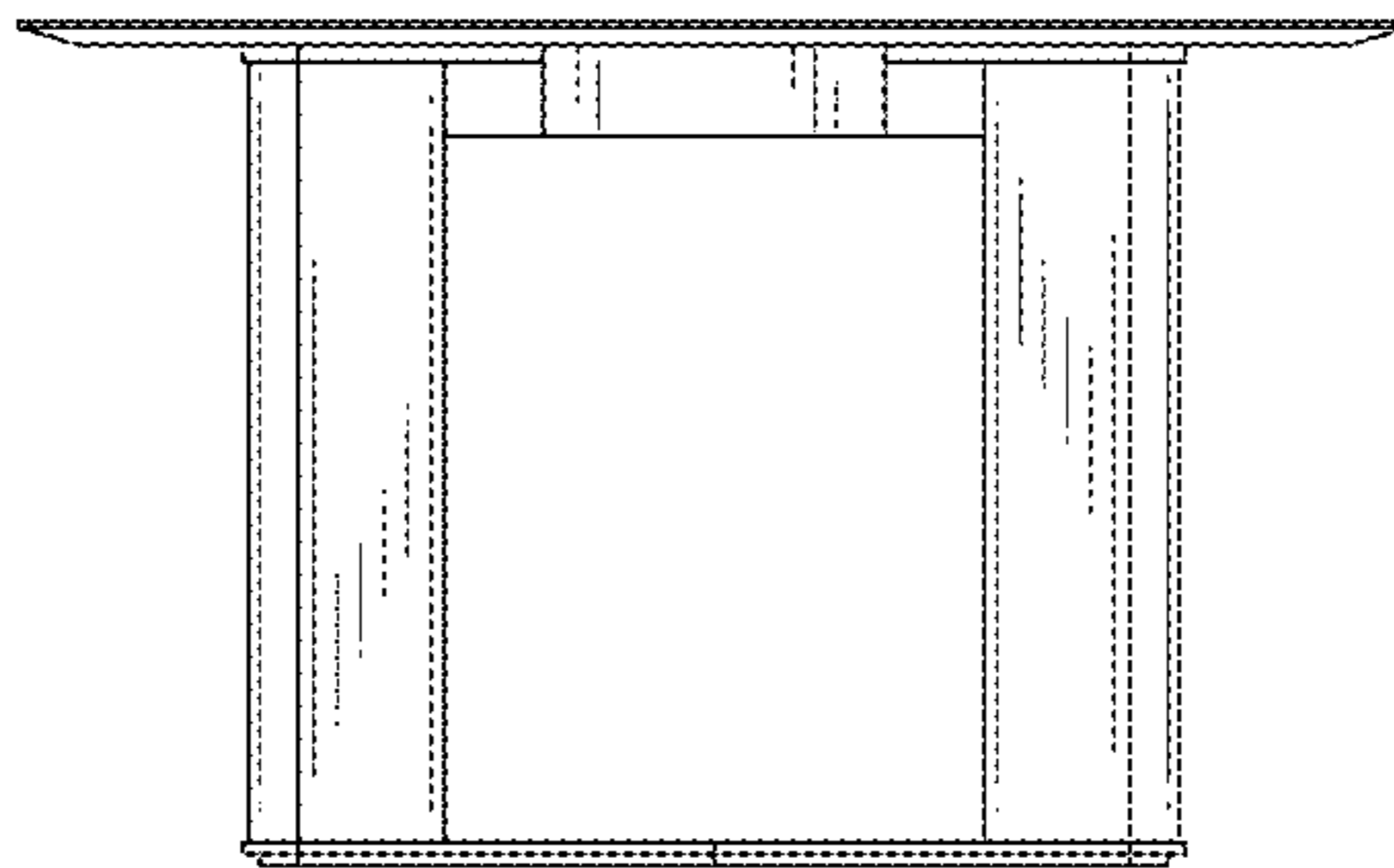


FIG. 11

16 ←



16 ←

FIG. 12

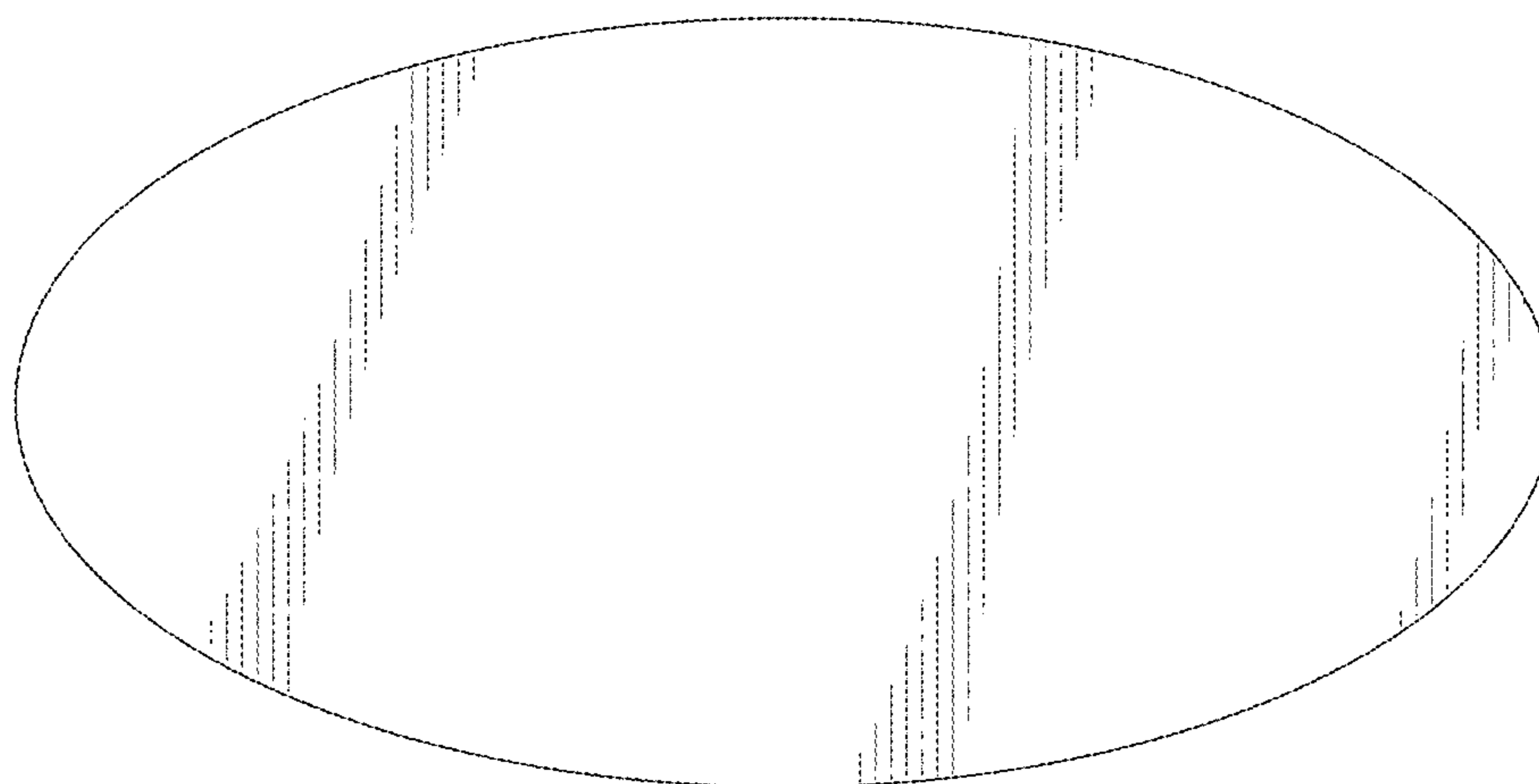


FIG. 13

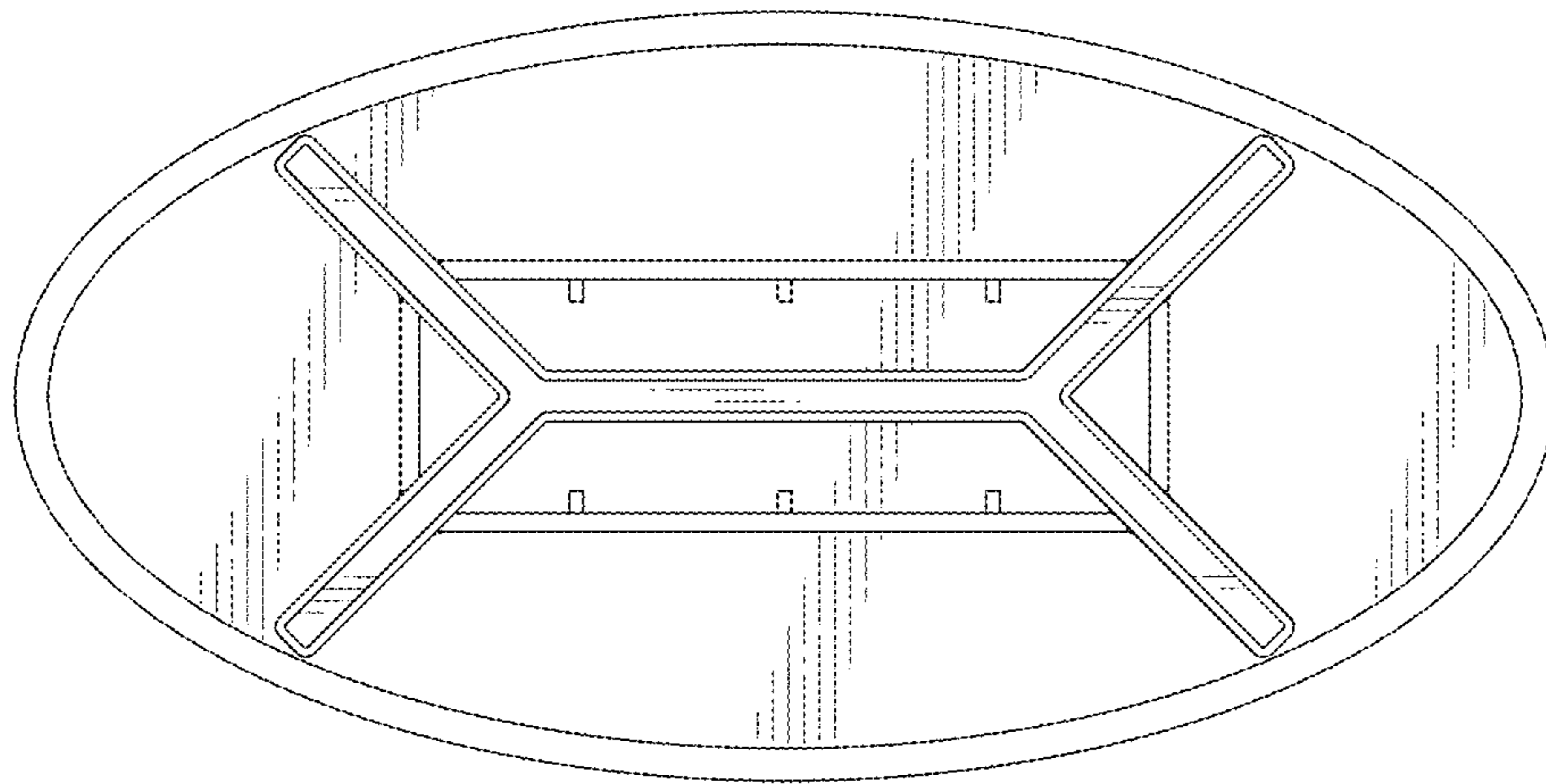


FIG. 14

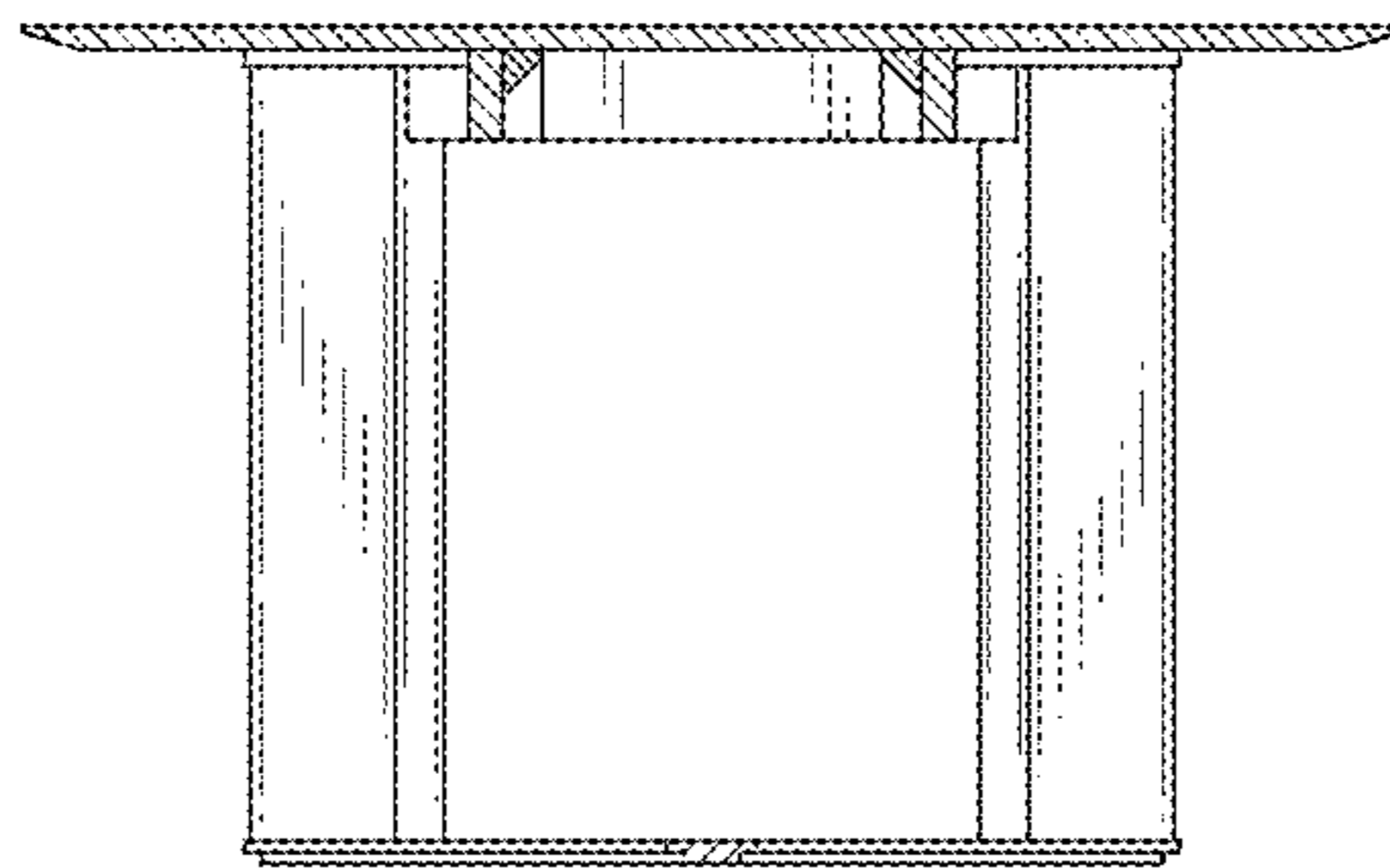


FIG. 15

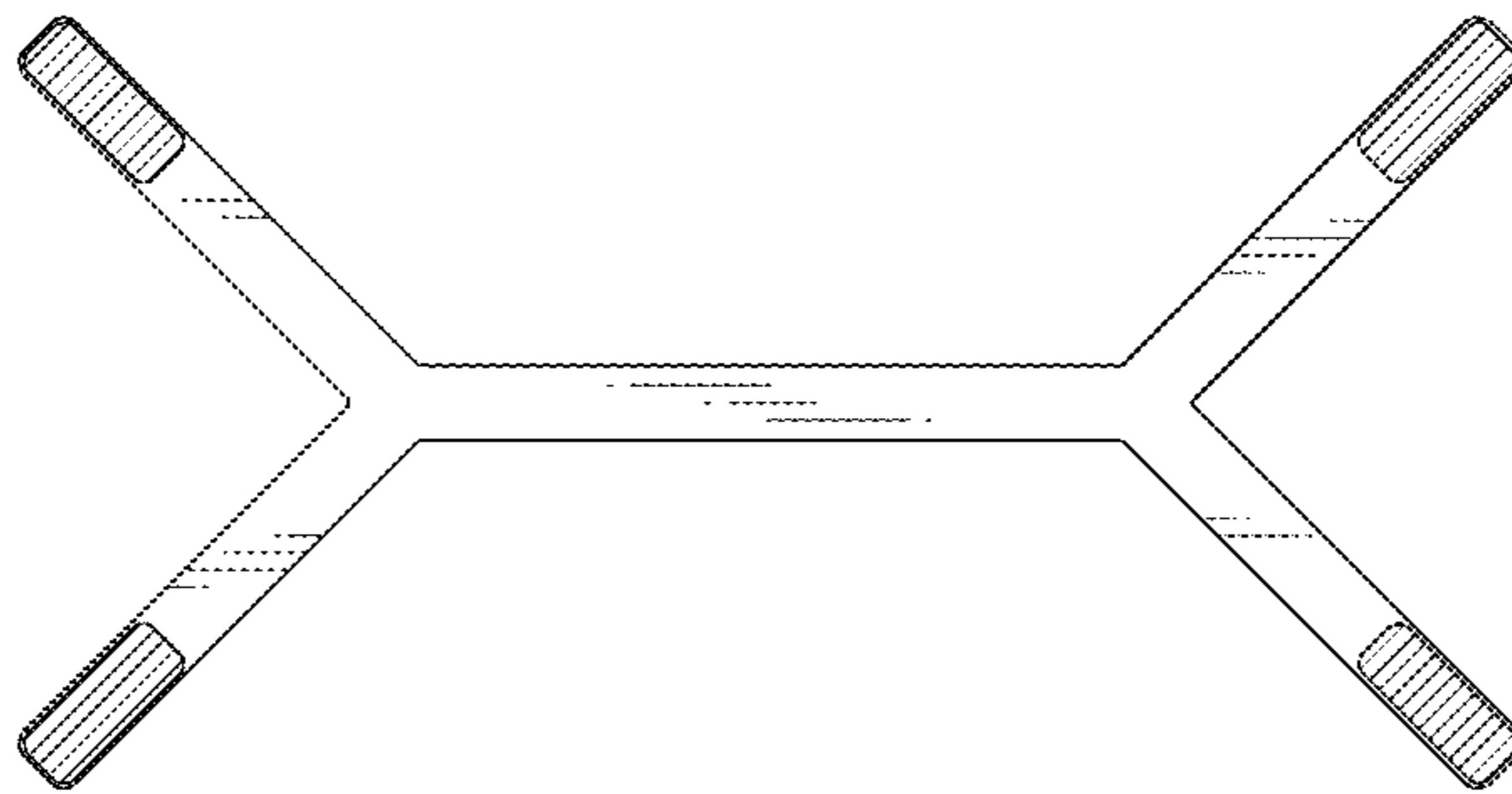


FIG. 16

