



US00D775877S

(12) **United States Design Patent**  
**Lin**

(10) **Patent No.:** **US D775,877 S**  
(45) **Date of Patent:** **\*\* Jan. 10, 2017**

- (54) **COLLAPSIBLE BISTRO TABLE**
- (71) Applicant: **Zhuhai Shichang Metals Ltd., Zhuhai (CN)**
- (72) Inventor: **Wen-Sheng Lin, Kaohsiung (TW)**
- (73) Assignee: **Zhuhai Shichang Metals Inc. (CN)**
- (\*\*) Term: **15 Years**
- (21) Appl. No.: **29/550,499**
- (22) Filed: **Jan. 5, 2016**
- (51) **LOC (10) Cl.** ..... **06-04**
- (52) **U.S. Cl.**  
USPC ..... **D6/691; D6/691.1**
- (58) **Field of Classification Search**  
USPC .... D6/349, 353-55, 368-9, 686, 691, 691.1,  
D6/692, 692.4, 707.17, 707.19; 108/13,  
108/157.1  
CPC ..... A47B 3/00; A47B 3/0818; A47B 3/087;  
A47B 37/02; A47B 37/0912  
See application file for complete search history.

(56) **References Cited**

**U.S. PATENT DOCUMENTS**

606,845	A	7/1898	Simmons	
2,053,789	A	9/1936	Hardy	
4,168,669	A	9/1979	Arnoff	
4,229,038	A *	10/1980	Drost	A47B 3/02 108/173
D287,677	S *	1/1987	Pomeroy	D6/691.6
5,483,901	A	1/1996	Tisbo et al.	
D476,169	S *	6/2003	Buono	D6/691.6

(Continued)

**FOREIGN PATENT DOCUMENTS**

CN 200320107316.8 11/2003

*Primary Examiner* — Caron D Veynar

*Assistant Examiner* — Mehri Bajoul

(74) *Attorney, Agent, or Firm* — Luedeka Neely Group, P.C.

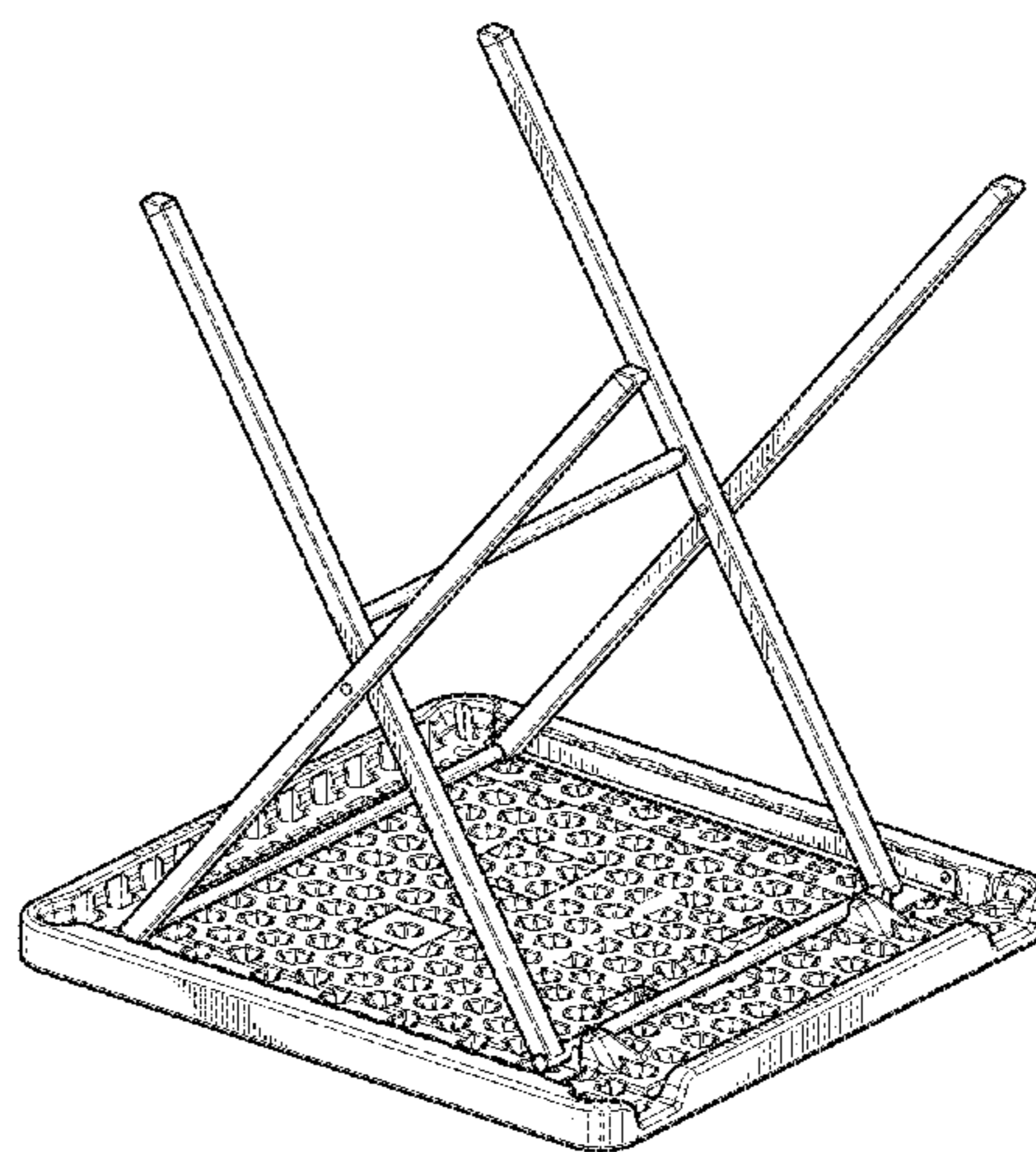
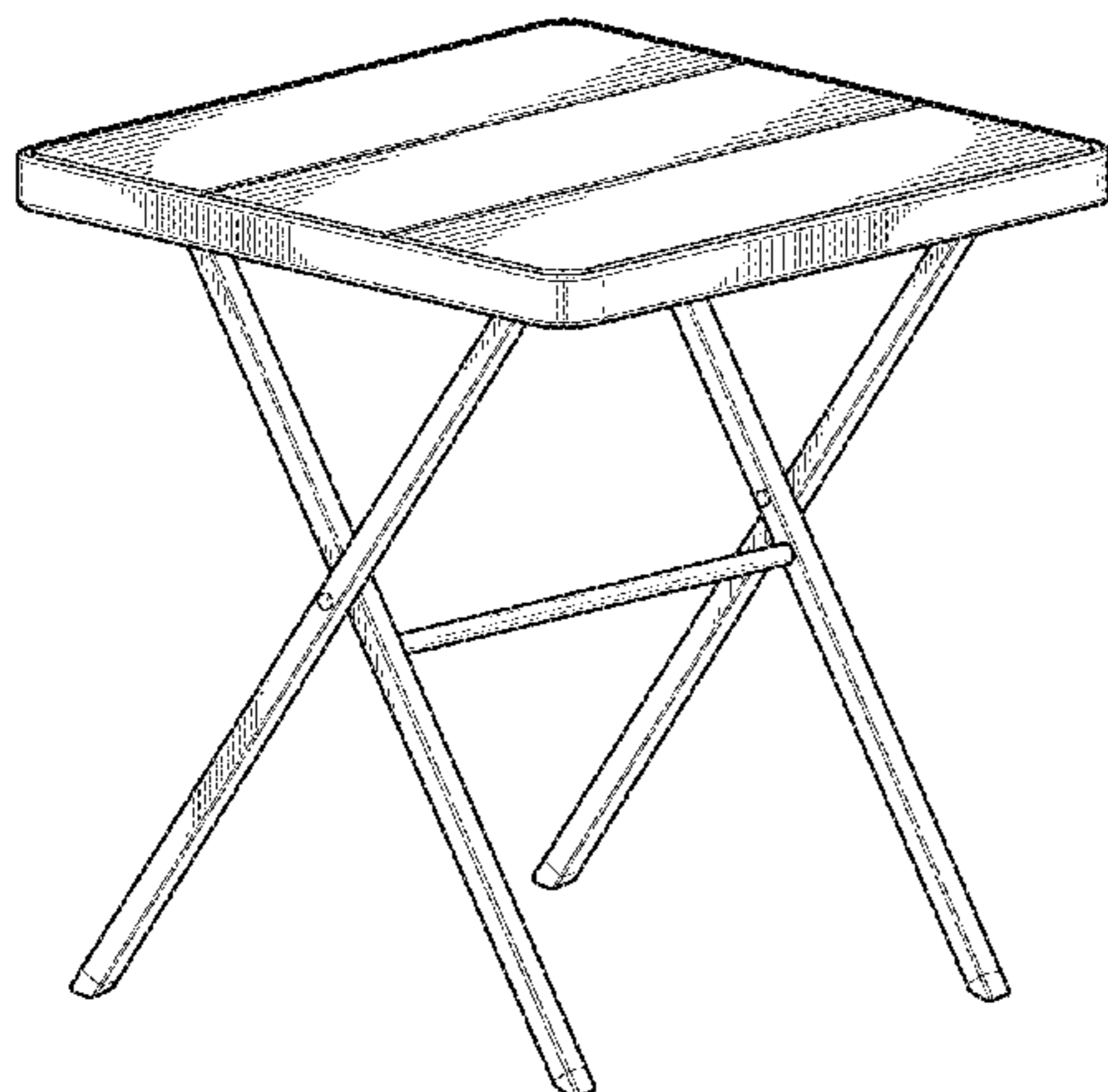
(57) **CLAIM**

The ornamental design for a collapsible bistro table, as shown and described.

**DESCRIPTION**

FIG. 1 is a top perspective view of the collapsible bistro table in a use position;  
 FIG. 2 is a bottom perspective view of the collapsible bistro table in the use position;  
 FIG. 3 is a top plan view of the collapsible bistro table in the use position;  
 FIG. 4 is a bottom plan view of the collapsible bistro table in the use position;  
 FIG. 5 is a front elevation view of the collapsible bistro table in the use position;  
 FIG. 6 is a rear elevation view of the collapsible bistro table in the use position;  
 FIG. 7 is a left side elevation view of the collapsible bistro table in the use position;  
 FIG. 8 is a right side elevation view of the collapsible bistro table in the use position;  
 FIG. 9 is a top perspective view of the collapsible bistro table in a storage position;  
 FIG. 10 is a bottom perspective view of the collapsible bistro table in the storage position;  
 FIG. 11 is a top elevation view of the collapsible bistro table in the storage position;  
 FIG. 12 is a bottom elevation view of the collapsible bistro table in the storage position;  
 FIG. 13 is a front elevation view of the collapsible bistro table in the storage position;  
 FIG. 14 is a rear elevation view of the collapsible bistro table in the storage position;  
 FIG. 15 is a left side elevation view of the collapsible bistro table in the storage position; and,  
 FIG. 16 is a right side elevation view of the collapsible bistro table in the storage position.

**1 Claim, 12 Drawing Sheets**



(56)

References Cited

U.S. PATENT DOCUMENTS

D480,580 S \* 10/2003 Buono ..... D6/692.4  
 D498,622 S \* 11/2004 Neunzert ..... D6/707  
 6,912,961 B2 7/2005 Winter et al.  
 D556,473 S \* 12/2007 Good ..... D6/691.1  
 7,536,961 B2 \* 5/2009 Stanford ..... A47B 3/091  
 108/129  
 7,571,686 B2 \* 8/2009 Stanford ..... A47B 3/091  
 108/129  
 7,634,970 B2 \* 12/2009 Strong ..... A47B 3/087  
 108/115  
 7,640,869 B2 1/2010 Leng  
 7,703,402 B2 \* 4/2010 Larcom ..... A47B 3/0815  
 108/132  
 D618,936 S \* 7/2010 Xu ..... D6/691.6  
 8,261,676 B2 \* 9/2012 VanNimwegen .... A47B 3/0912  
 108/125  
 8,397,653 B2 \* 3/2013 Ashby ..... A47B 3/0818  
 108/115  
 8,408,146 B2 \* 4/2013 Peery ..... A47B 7/02  
 108/132  
 8,683,929 B2 \* 4/2014 Peery ..... A47B 7/02  
 108/129

8,726,817 B2 \* 5/2014 Bennett ..... A47B 3/0818  
 108/115  
 9,351,563 B2 \* 5/2016 Bennett ..... A47B 3/0818  
 2005/0155531 A1 \* 7/2005 Chang ..... A47B 3/0911  
 108/130  
 2005/0160950 A1 \* 7/2005 Haney ..... A47B 3/087  
 108/129  
 2010/0186640 A1 7/2010 Leng  
 2010/0258042 A1 \* 10/2010 Rutz ..... A47B 3/0818  
 108/115  
 2011/0203493 A1 \* 8/2011 Ashby ..... A47B 3/0818  
 108/127  
 2013/0025509 A1 \* 1/2013 Jin ..... A47B 3/087  
 108/166  
 2013/0233210 A1 \* 9/2013 Jin ..... A47B 3/0818  
 108/166  
 2013/0255545 A1 \* 10/2013 Bennett ..... A47B 3/0818  
 108/115  
 2014/0208992 A1 \* 7/2014 Cai ..... A47B 3/0912  
 108/168  
 2016/0143432 A1 \* 5/2016 Chang ..... A47B 3/0818  
 108/128  
 2016/0183673 A1 \* 6/2016 Cai ..... A47B 3/0912  
 108/168  
 2016/0227919 A1 \* 8/2016 Turner ..... A47B 3/0818

\* cited by examiner



FIG. 1

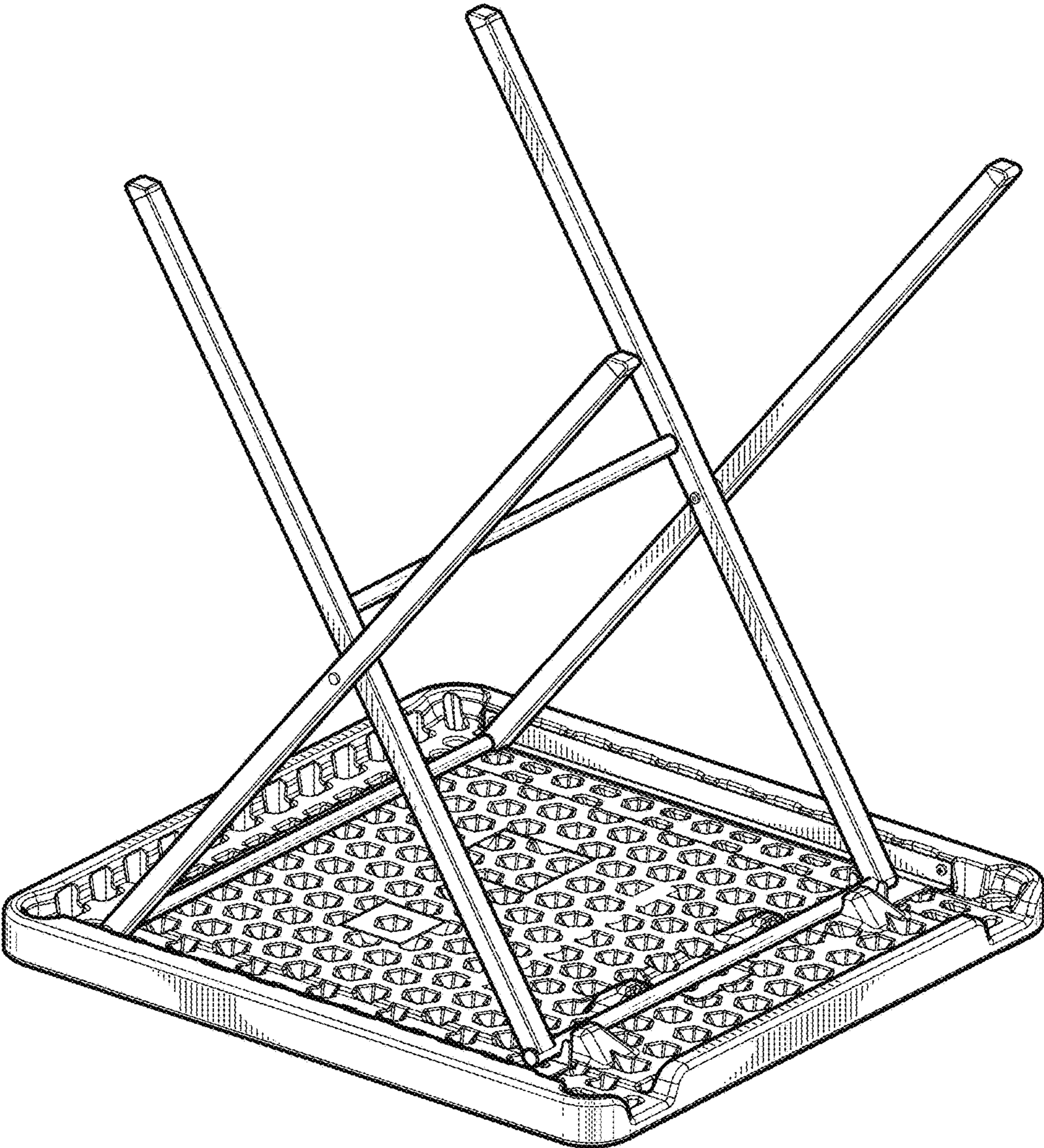
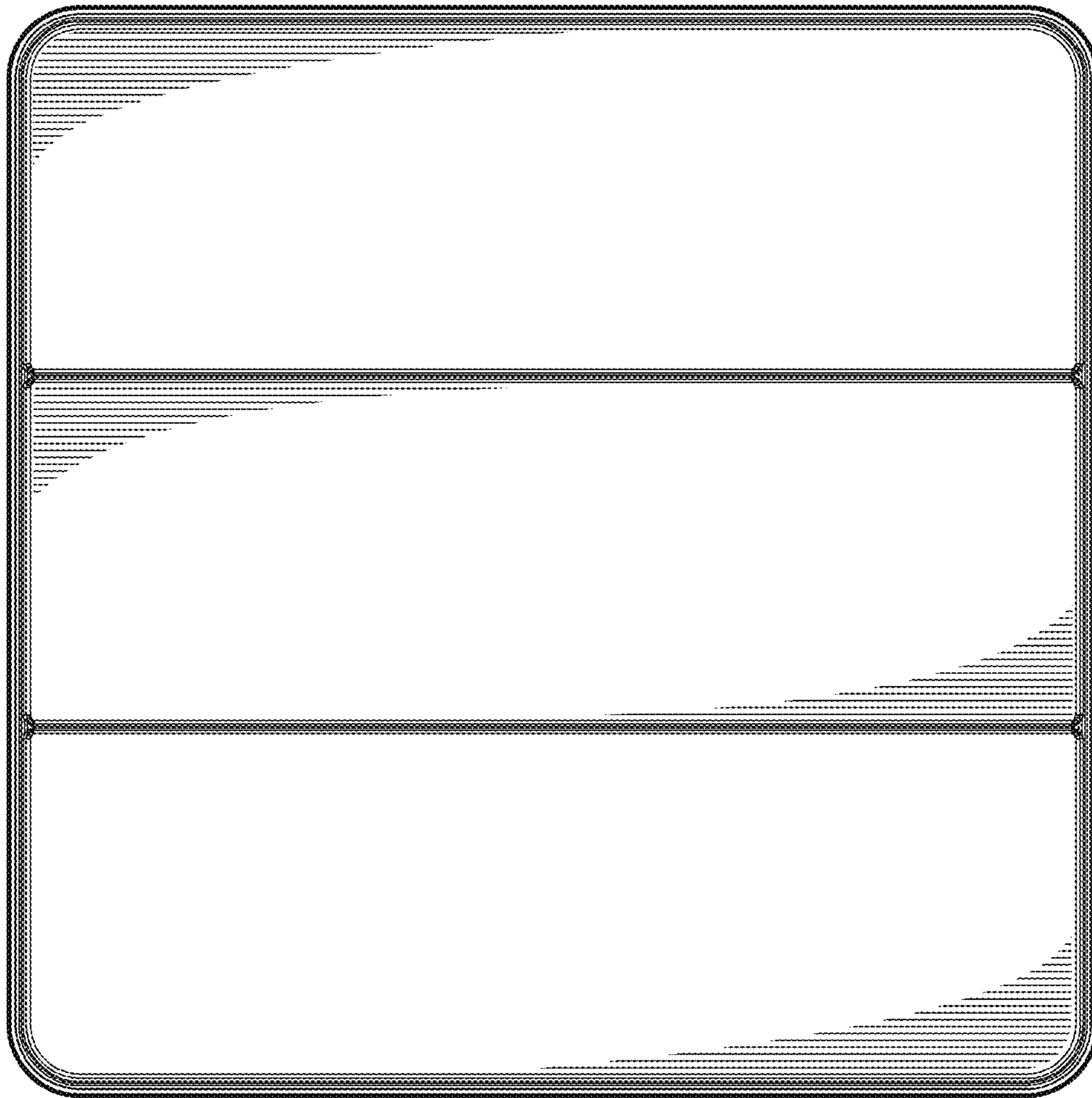


FIG. 2



**FIG. 3**

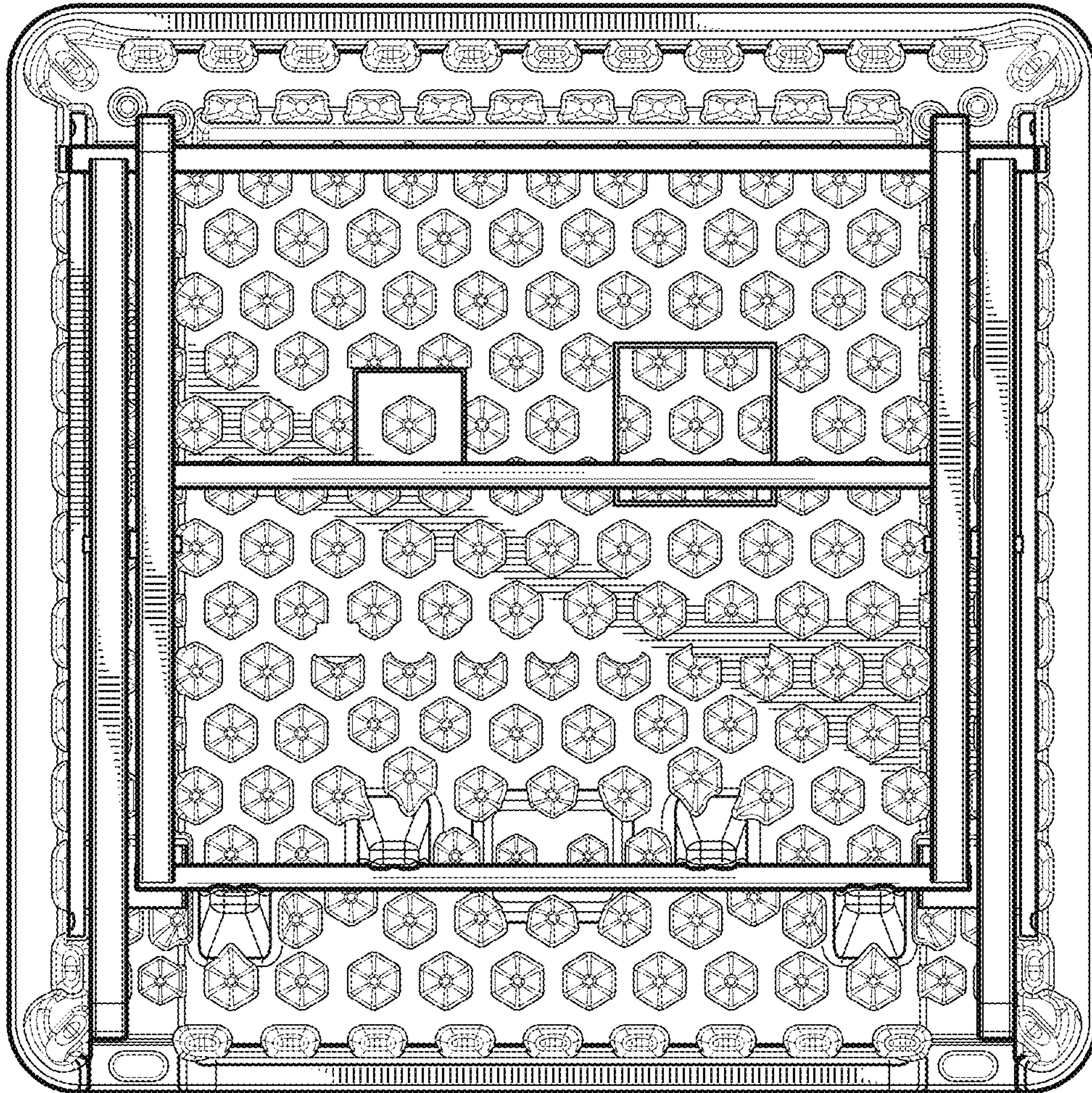


FIG. 4

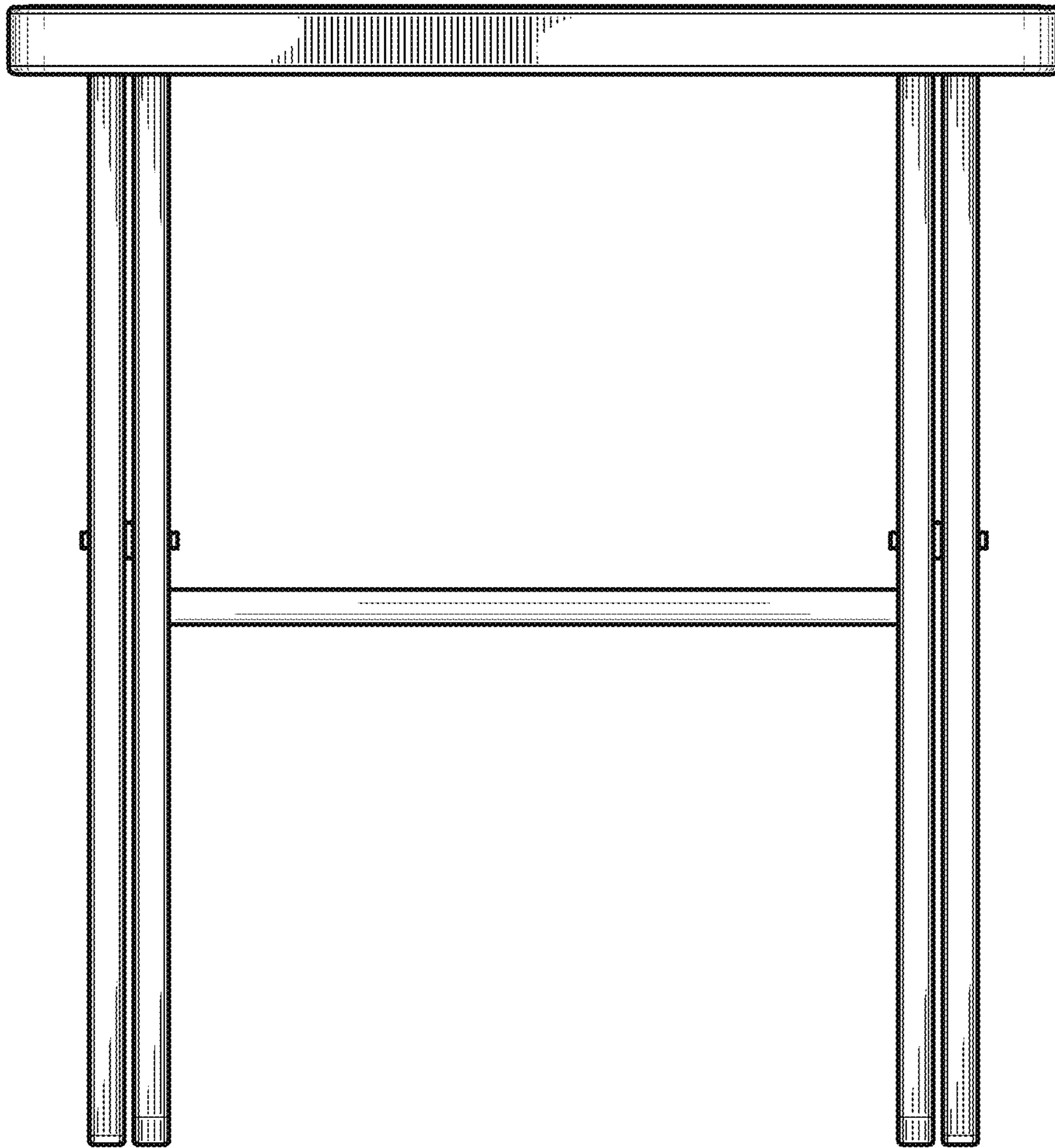
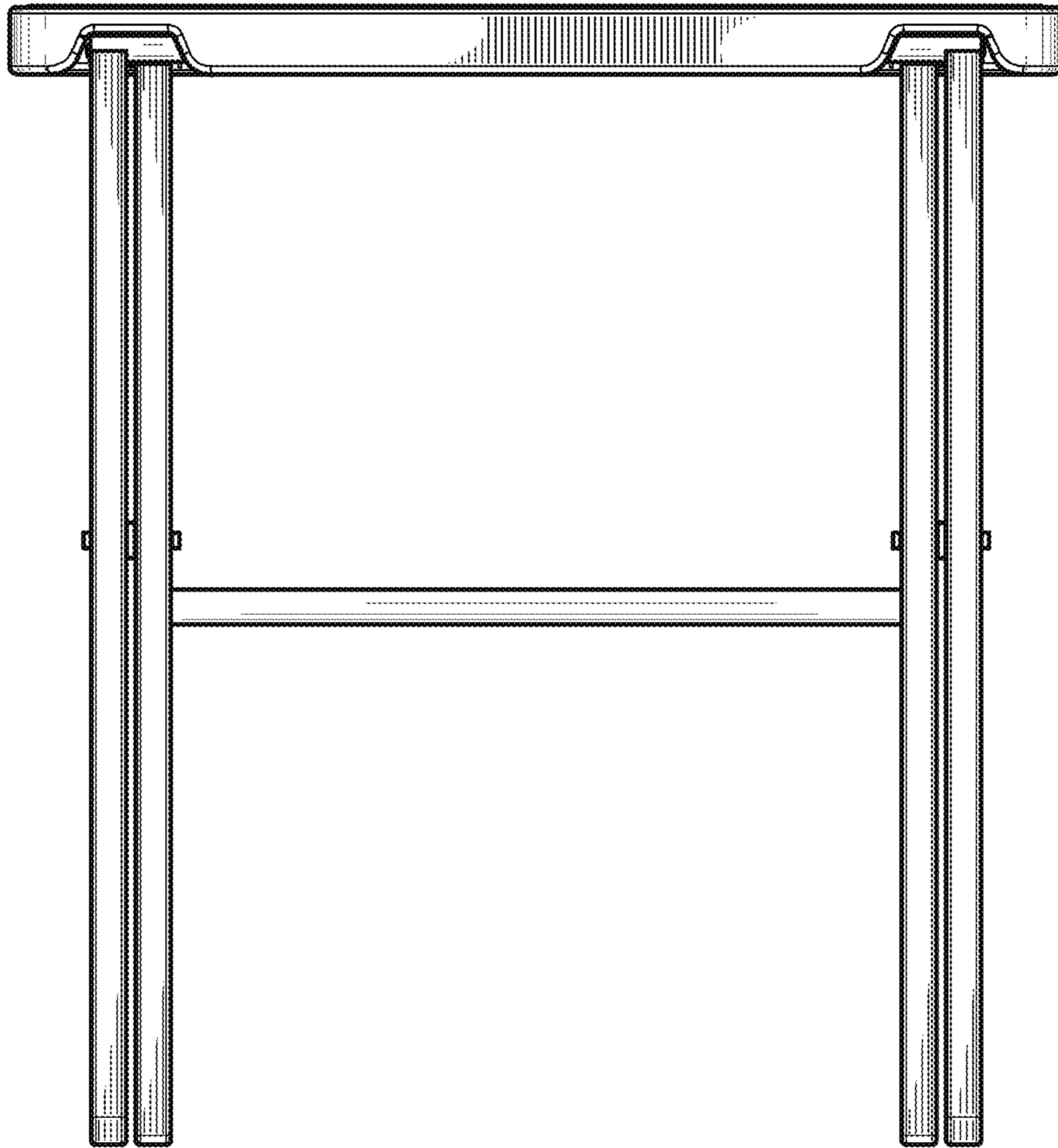
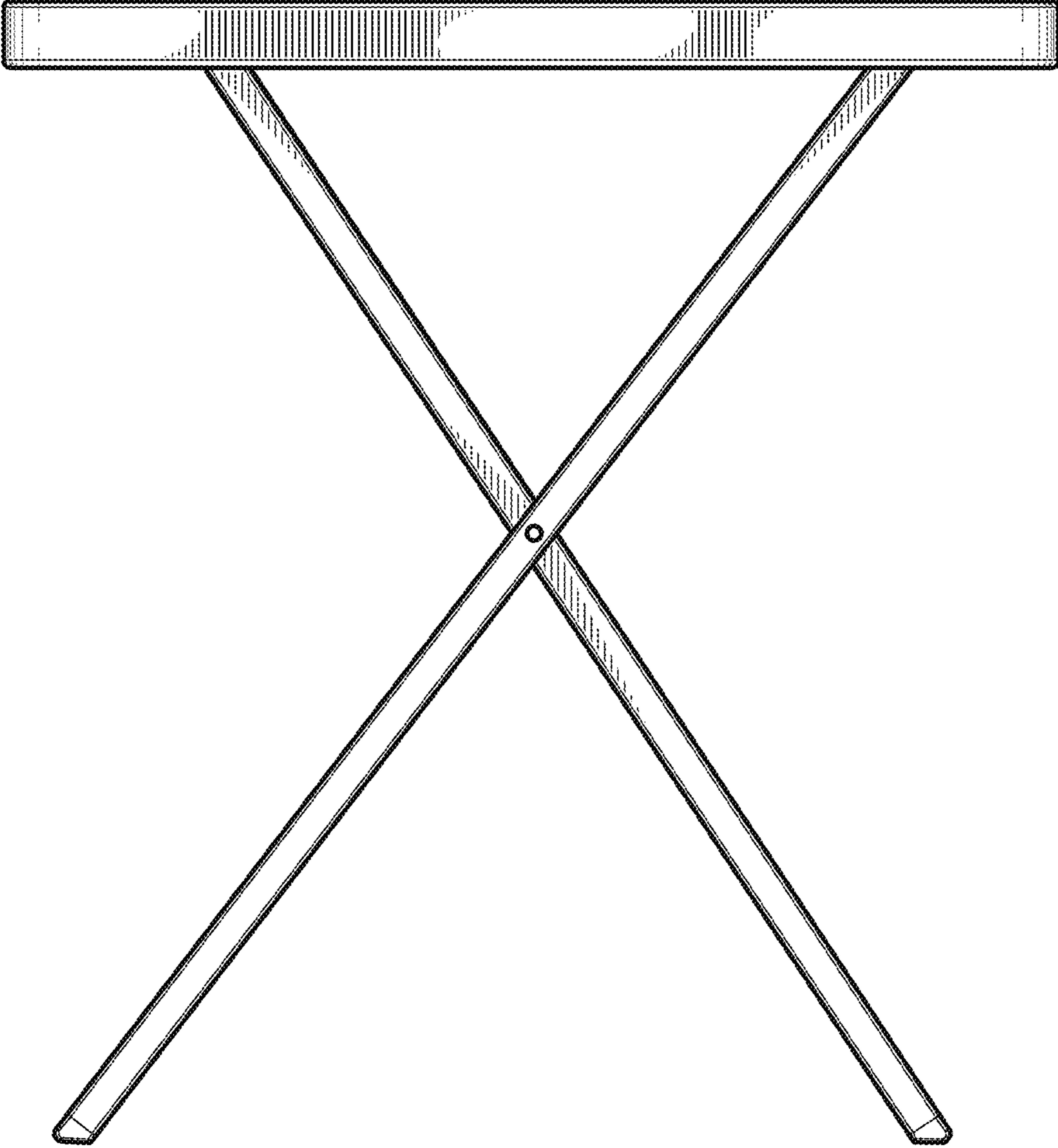


FIG. 5

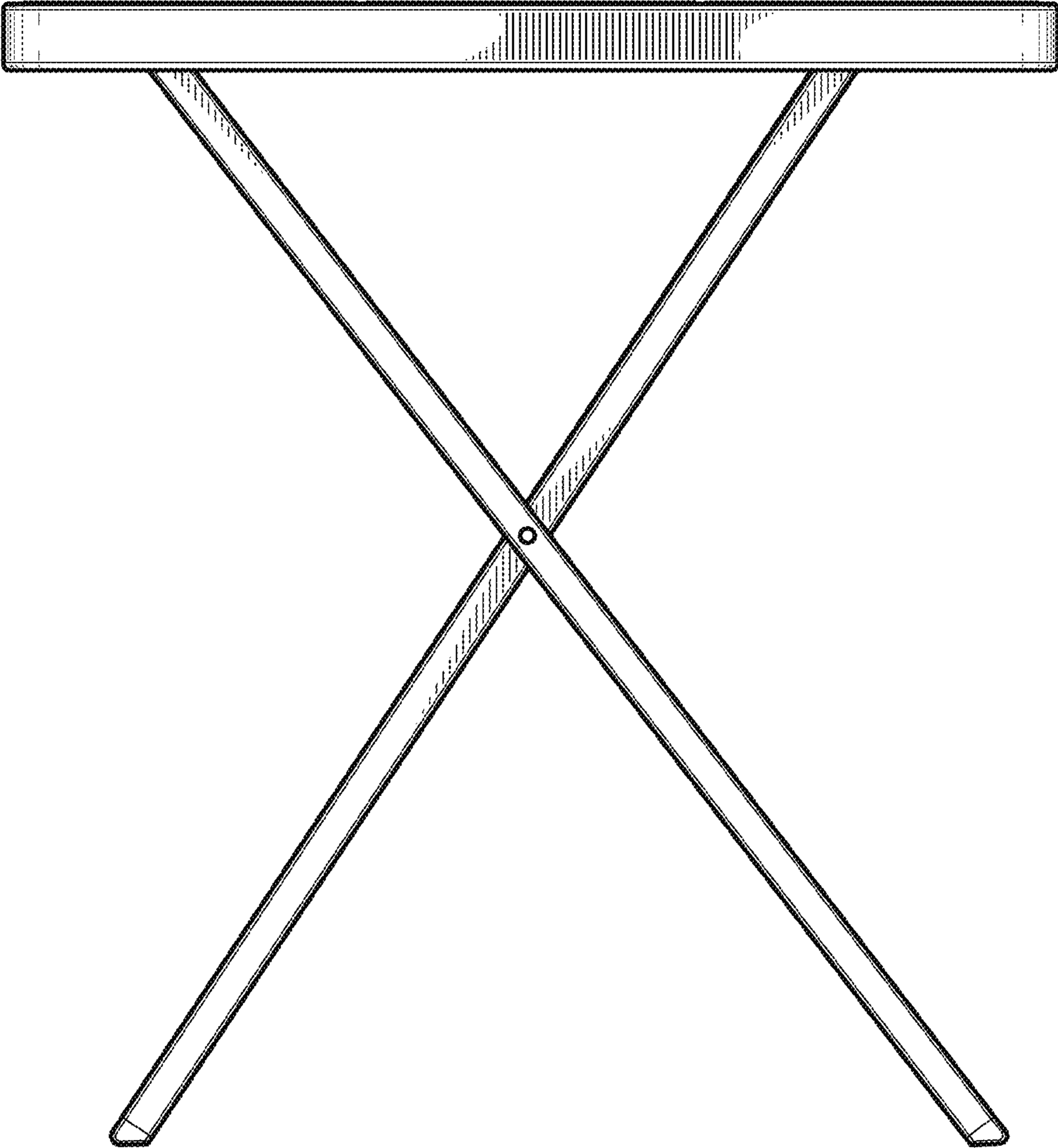


**FIG. 6**





**FIG. 7**



**FIG. 8**

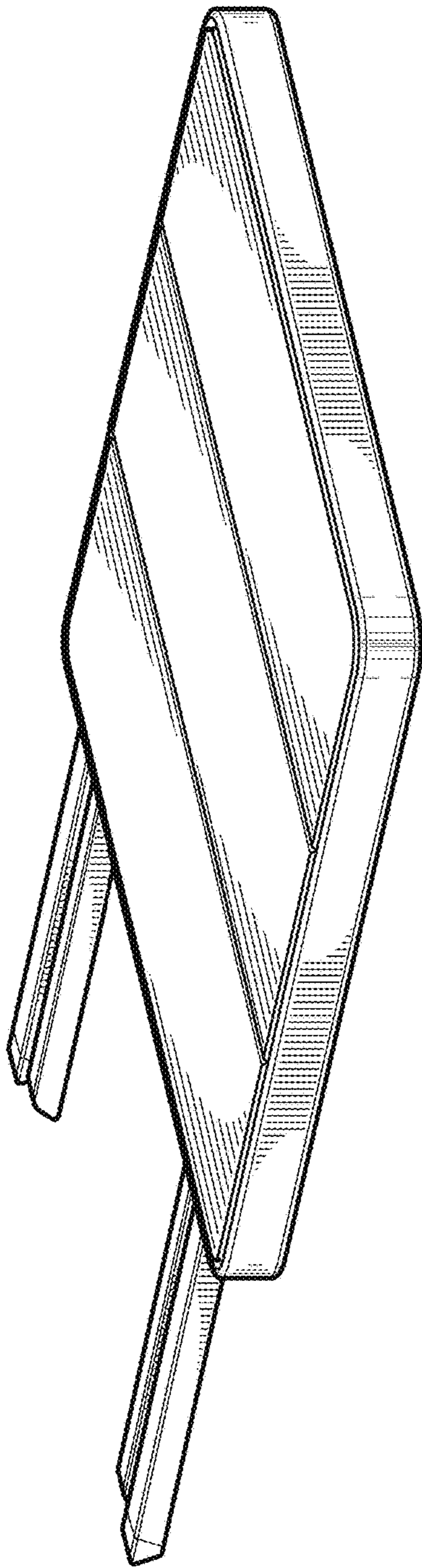


FIG. 9

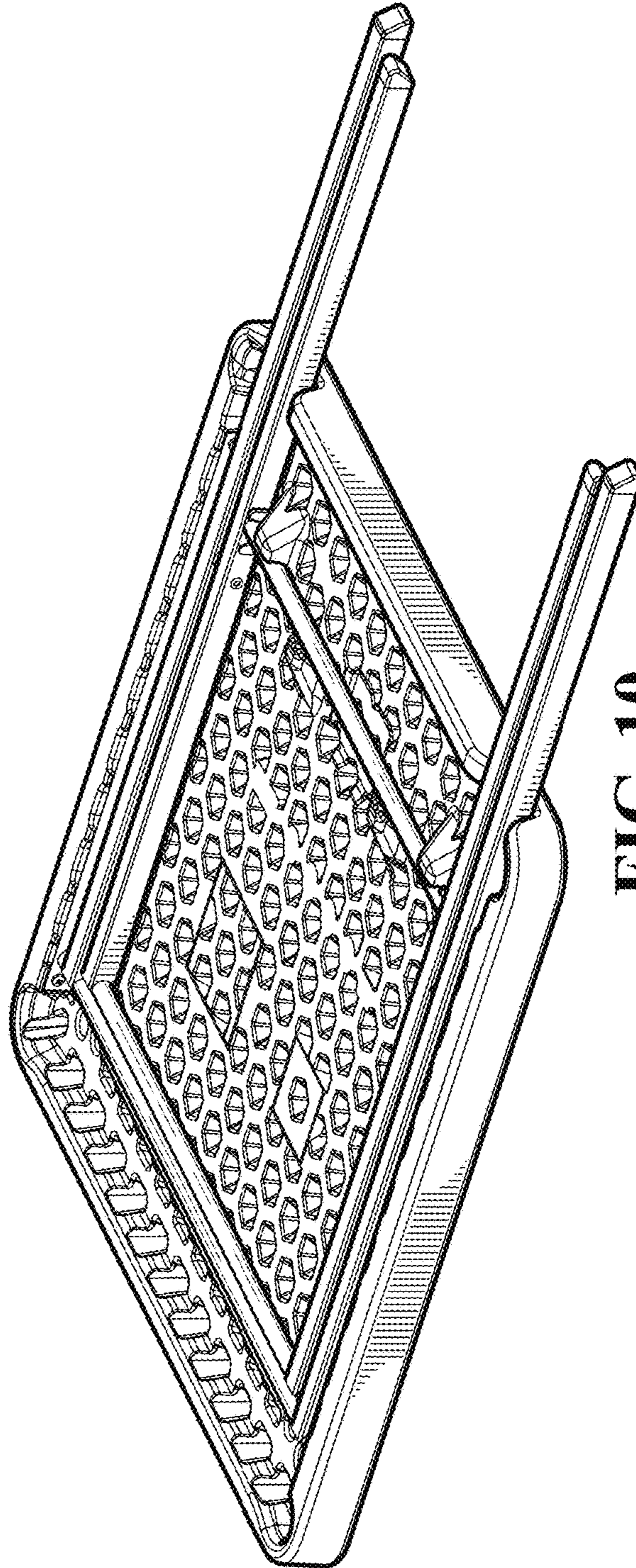


FIG. 10

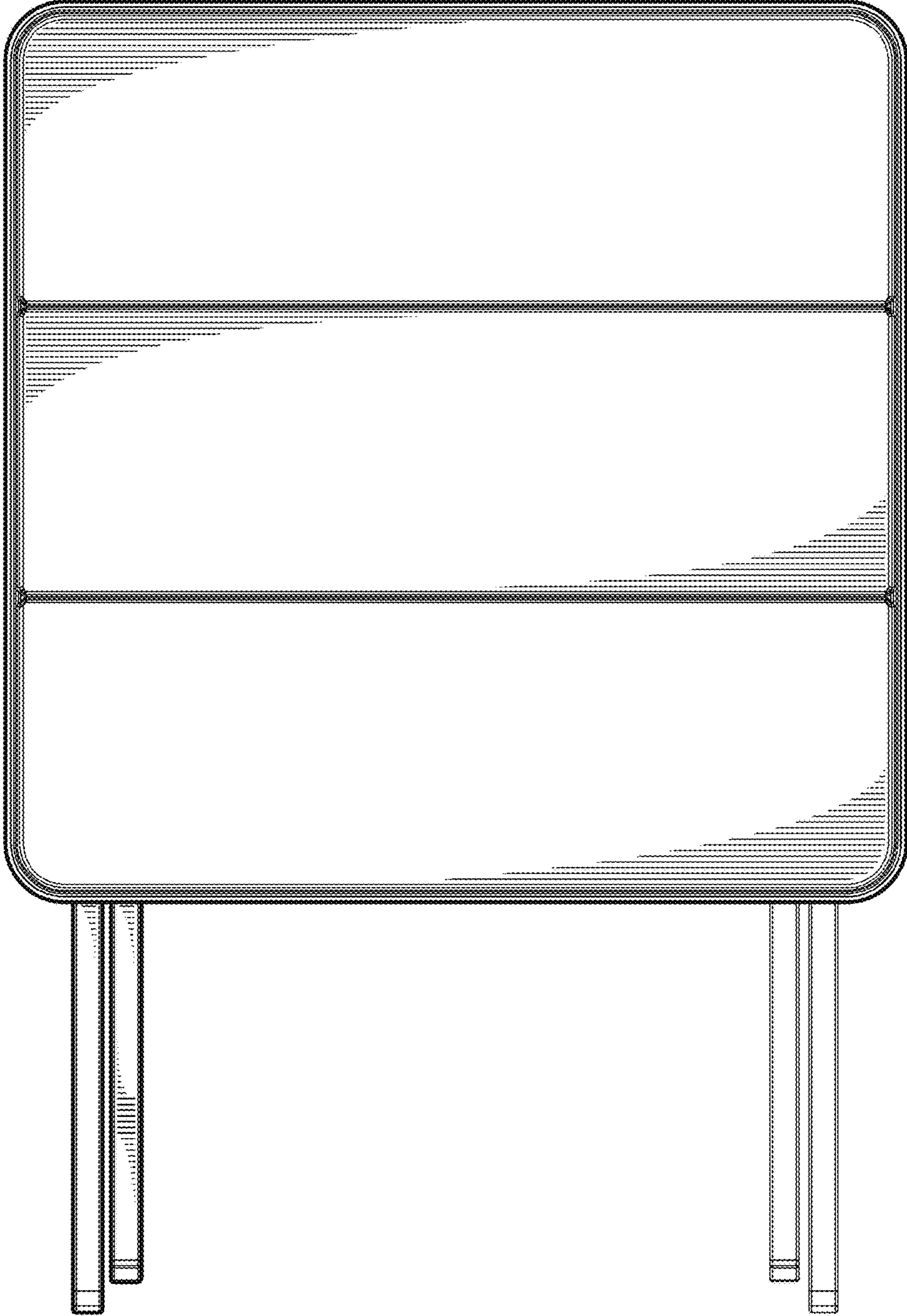


FIG. 11

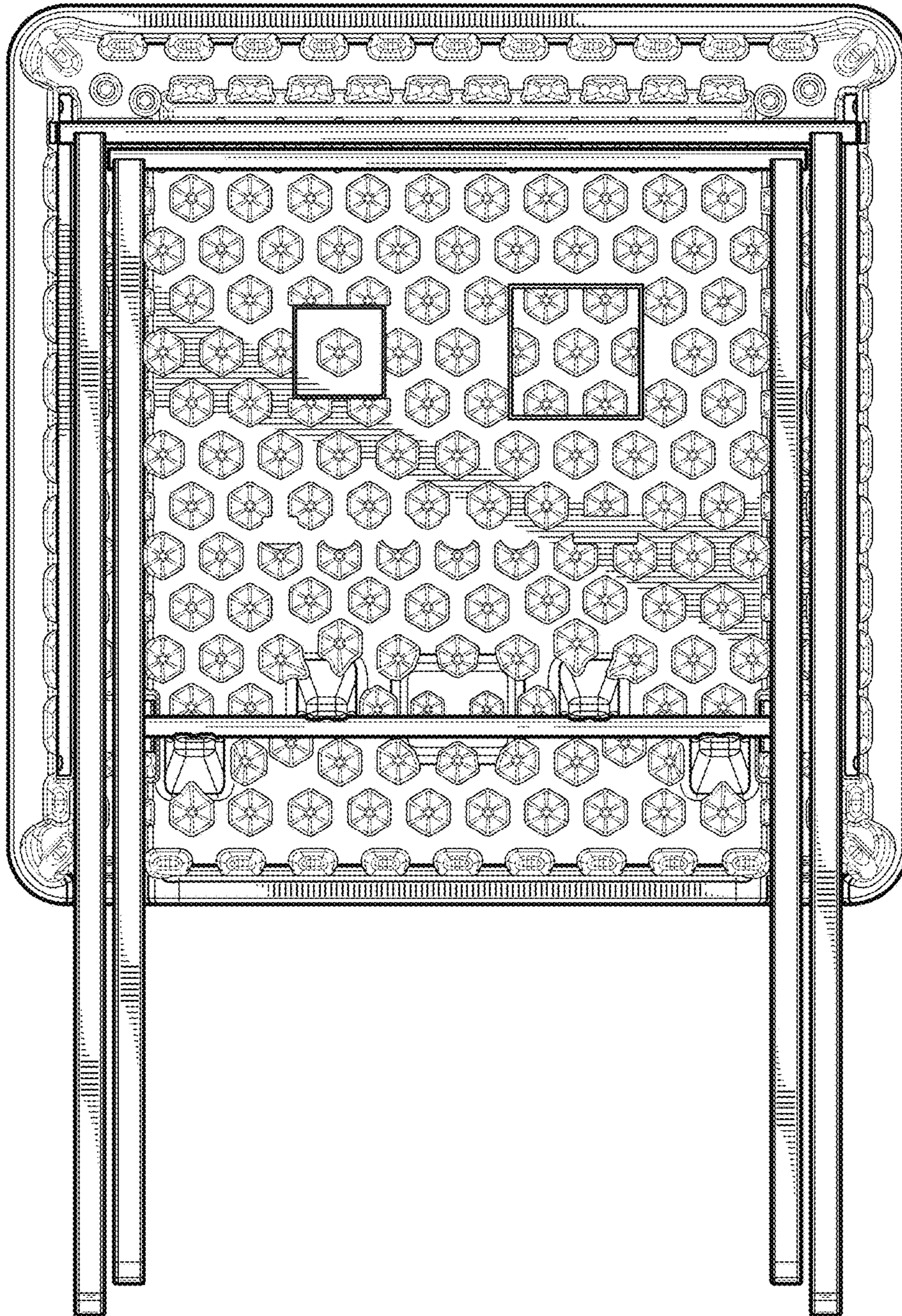


FIG. 12



FIG. 13



FIG. 14



FIG. 15



FIG. 16