



US00D775873S

(12) **United States Design Patent**
Burnett

(10) **Patent No.:** **US D775,873 S**

(45) **Date of Patent:** **** Jan. 10, 2017**

(54) **TWO-LEVEL TURNTABLE STORAGE
DEVICE**

(71) Applicant: **Sherryda Burnett**, Memphis, TN (US)

(72) Inventor: **Sherryda Burnett**, Memphis, TN (US)

(**) Term: **14 Years**

(21) Appl. No.: **29/523,313**

(22) Filed: **Apr. 8, 2015**

(51) **LOC (10) Cl.** **06-06**

(52) **U.S. Cl.**
USPC **D6/677.2**

(58) **Field of Classification Search**
USPC D6/672, 677, 677.1, 677.2, 677.3, 682,
D6/682.1; D3/304, 313, 316
CPC B65D 1/00; B65D 1/16; B65D 11/02;
B65D 1/0223
See application file for complete search history.

(56) **References Cited**

U.S. PATENT DOCUMENTS

- 676,560 A * 6/1901 Jacobs A47F 5/02
211/163
- 2,390,657 A * 12/1945 Loudermilk A24F 15/04
131/238
- D166,425 S * 4/1952 Stolz D6/680.2
- D200,032 S * 1/1965 Starke D6/681.3
- D220,046 S * 3/1971 Pascarella et al. D6/677.1

- D237,564 S * 11/1975 Laylon D6/692.3
- D243,646 S * 3/1977 Nolan D6/678
- D270,974 S * 10/1983 Persch D6/677.1
- D330,982 S * 11/1992 Braun D6/680.2
- D336,800 S * 6/1993 Tobias D6/680
- D496,831 S * 10/2004 Strahota D7/600.3
- D656,758 S * 4/2012 Snider D6/677.2
- D687,225 S * 8/2013 Baker D3/313

* cited by examiner

Primary Examiner — Kelley Donnelly

(74) *Attorney, Agent, or Firm* — William S. Parks

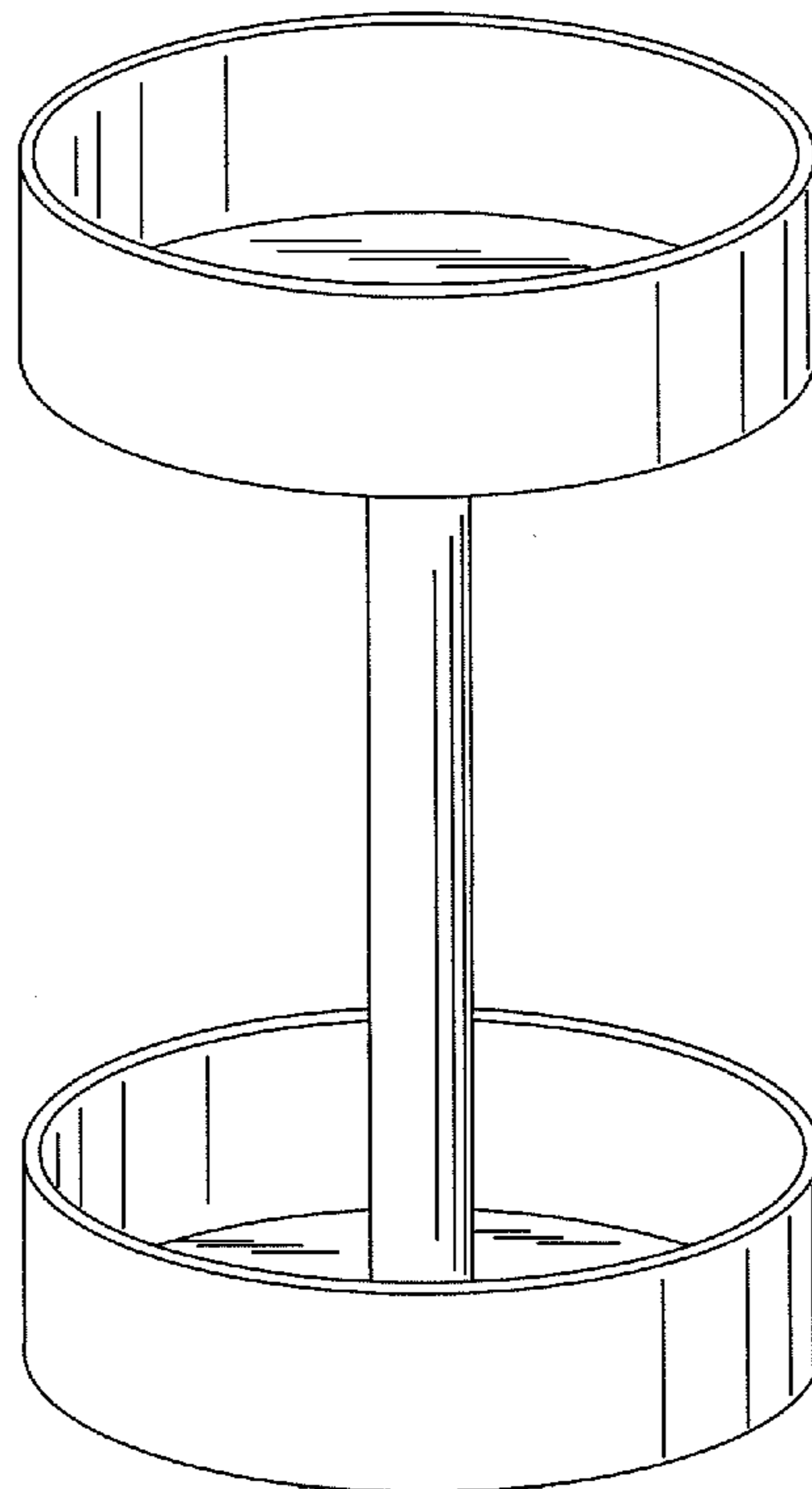
(57) **CLAIM**

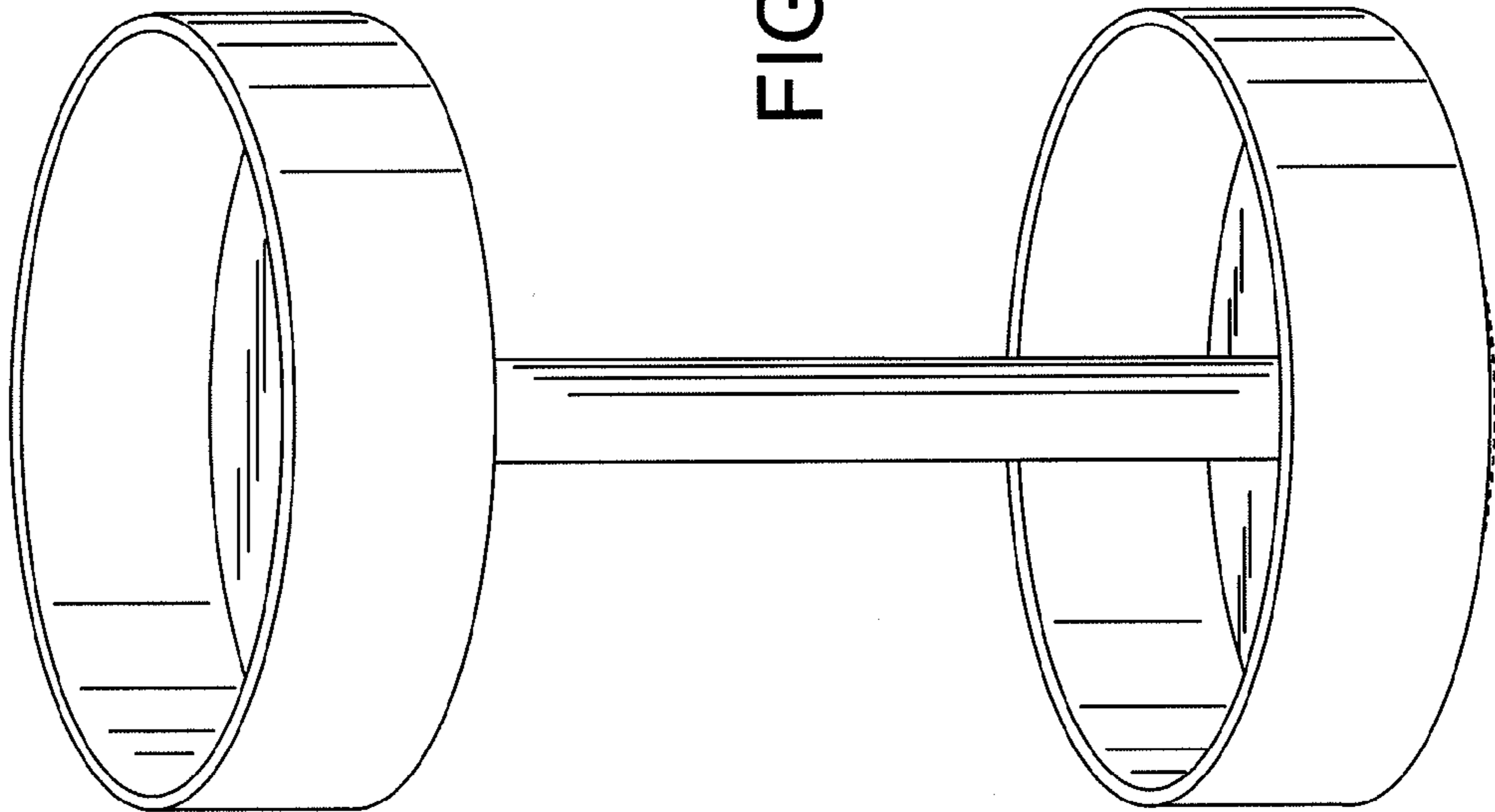
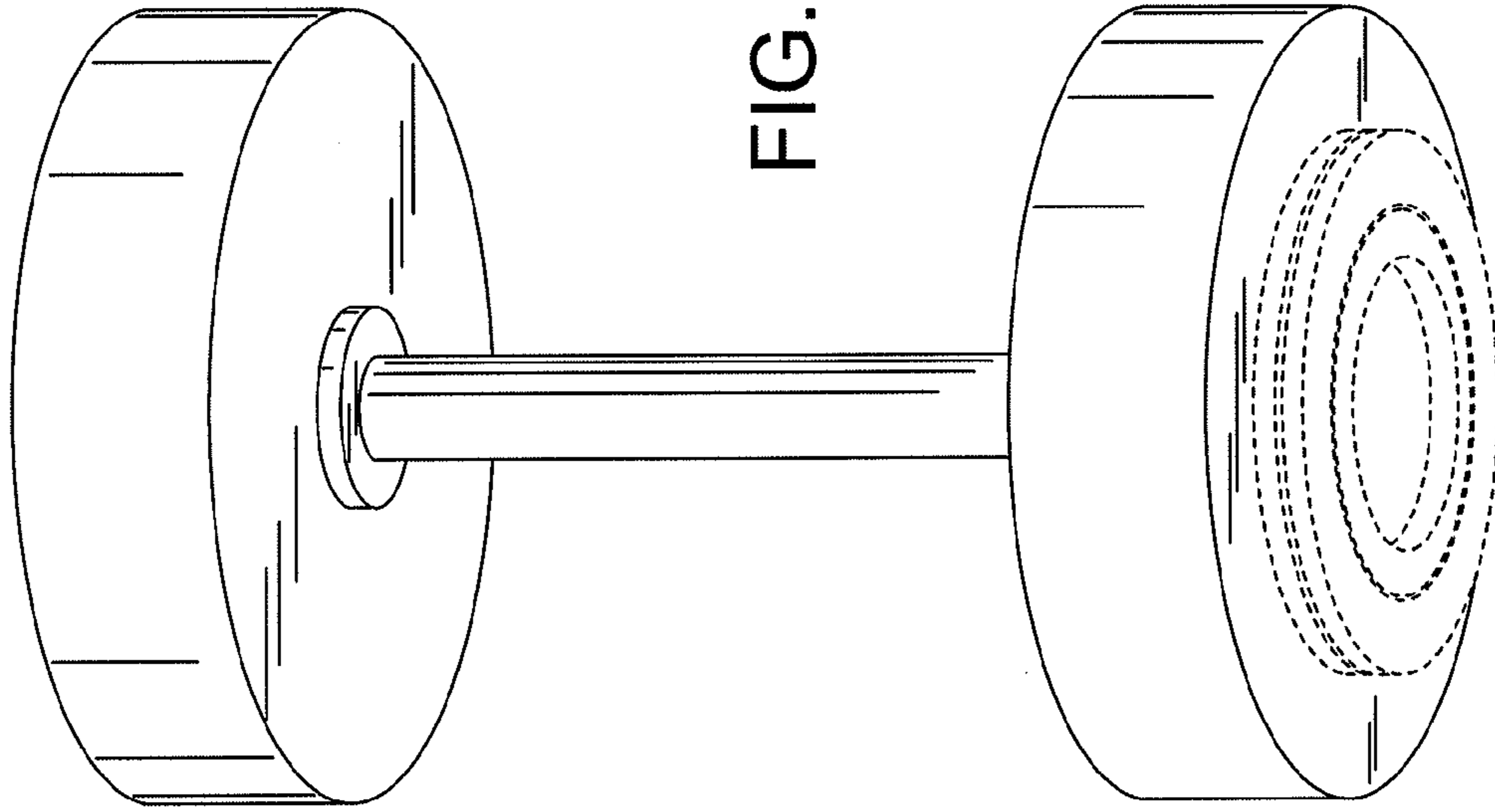
The ornamental design for the two-level turntable storage device, as shown and described.

DESCRIPTION

FIG. 1 is a side elevational view of the two-level turntable storage device showing my new design.
 FIG. 2 is a right lower perspective view thereof;
 FIG. 3 is a side perspective view thereof, the side opposite being a mirror image of that shown;
 FIG. 4 is a top plain view thereof; and,
 FIG. 5 is a bottom plain view thereof.
 The broken lines showing is included for the purpose of illustrating environment and forms no part of the claimed design.

1 Claim, 2 Drawing Sheets





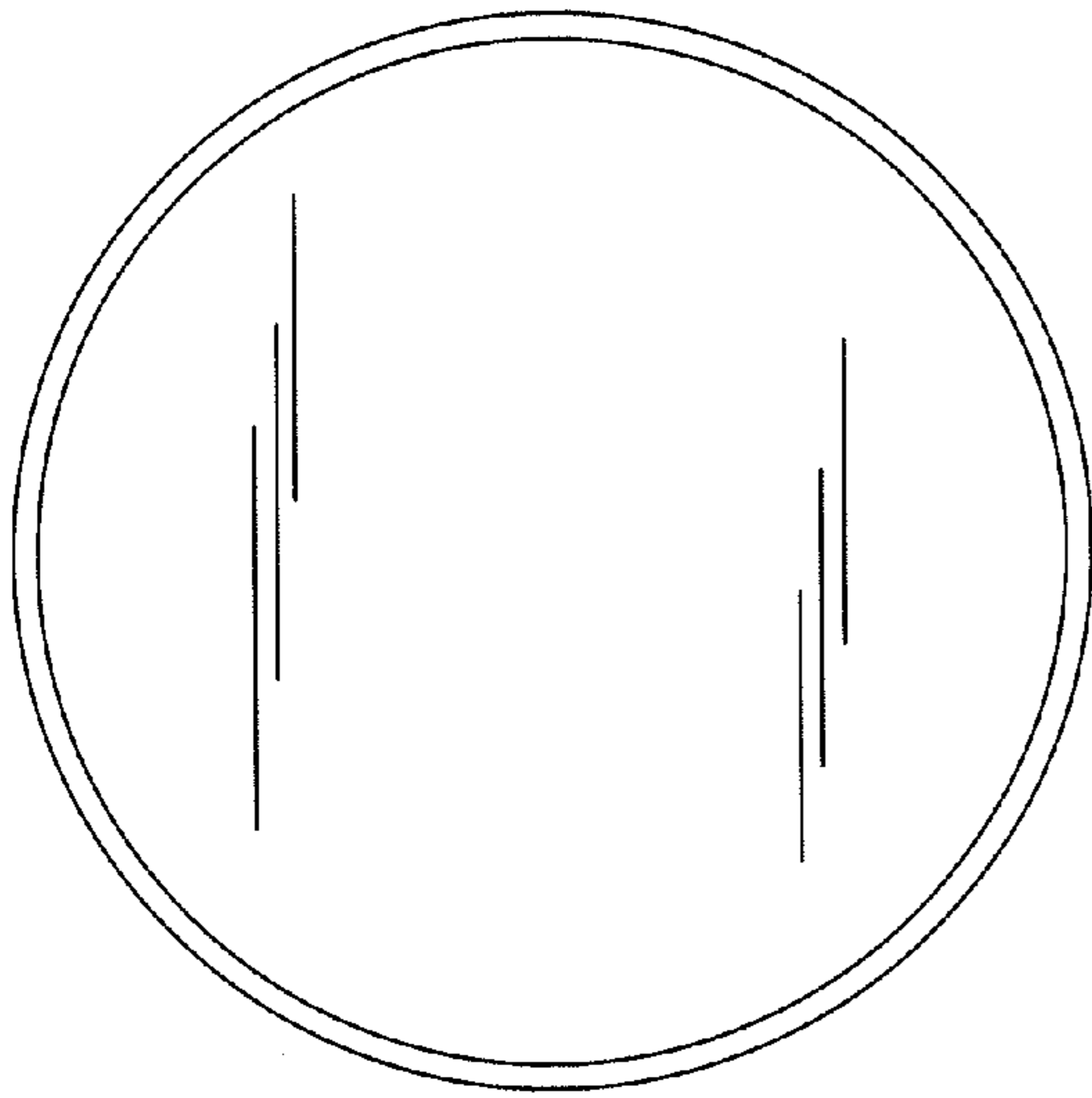


FIG. 4

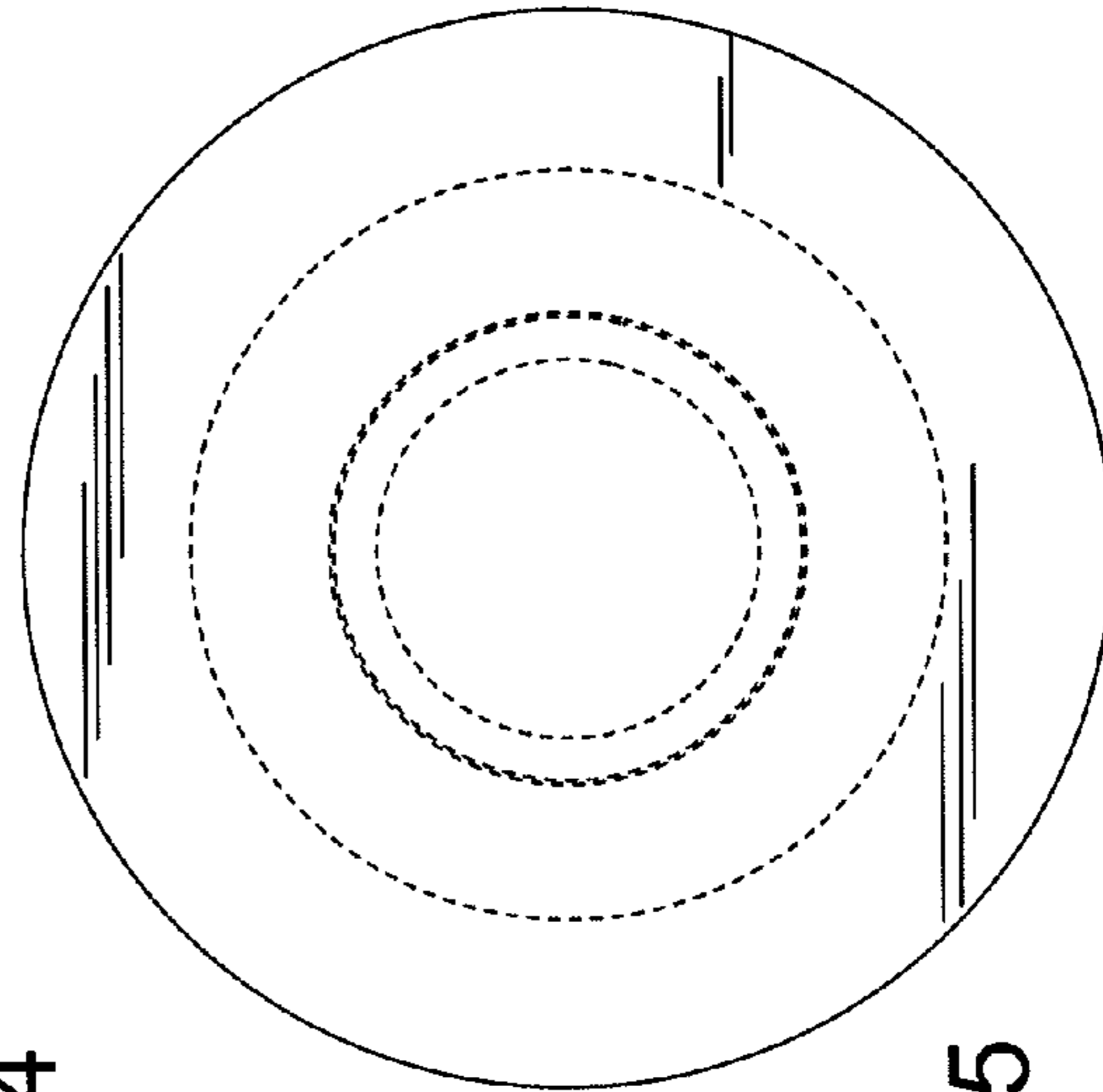


FIG. 5

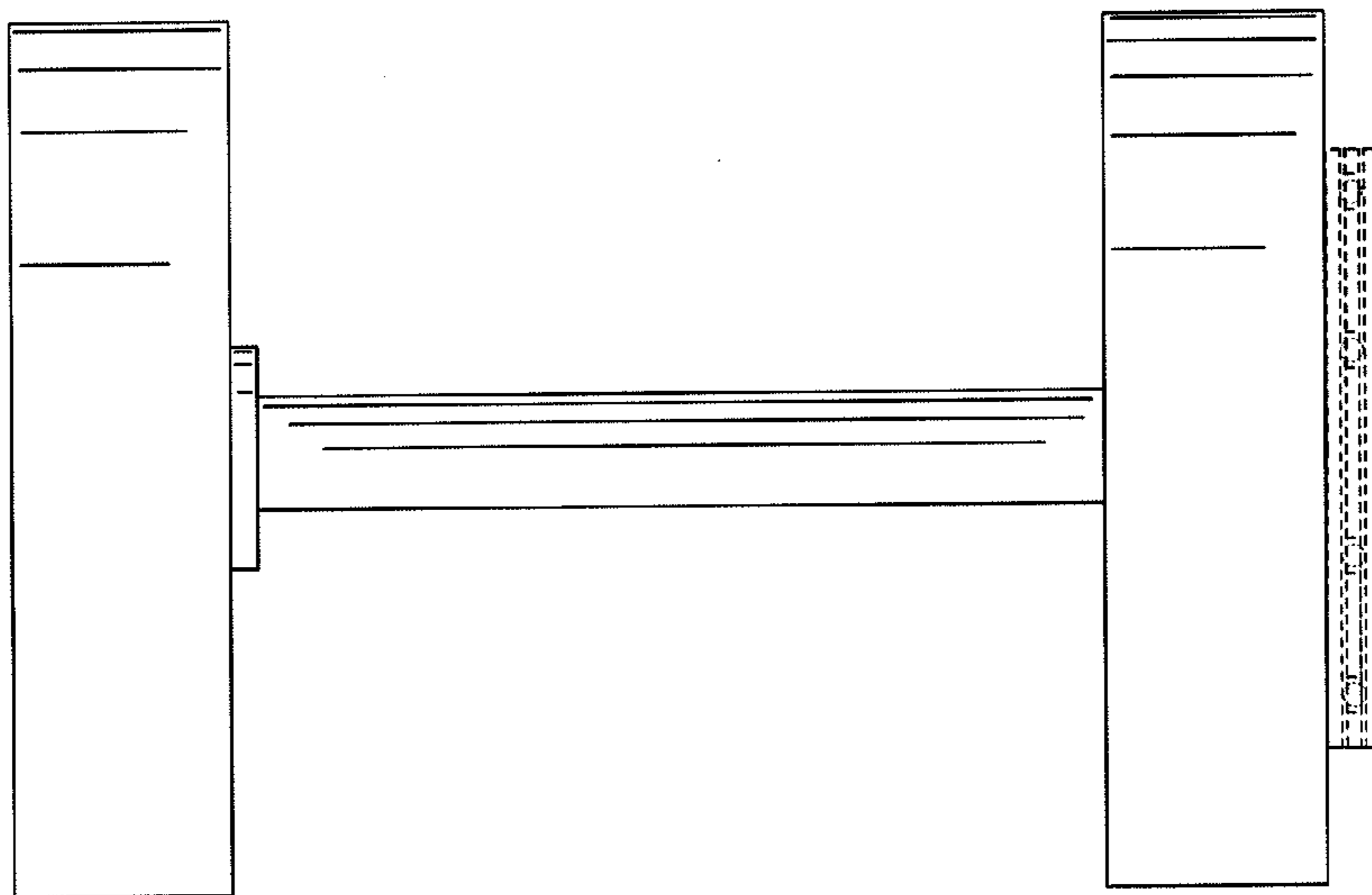


FIG. 3