



US00D775872S

(12) **United States Design Patent**
Choi

(10) **Patent No.:** **US D775,872 S**
(45) **Date of Patent:** **** Jan. 10, 2017**

- (54) **SHOE STAND**
- (71) Applicant: **Sung Choi**, Mount Sinai, NY (US)
- (72) Inventor: **Sung Choi**, Mount Sinai, NY (US)
- (**) Term: **14 Years**
- (21) Appl. No.: **29/509,941**
- (22) Filed: **Nov. 22, 2014**
- (51) **LOC (10) Cl.** **06-06**
- (52) **U.S. Cl.**
USPC **D6/675.4**
- (58) **Field of Classification Search**
USPC D6/675, 675.1, 675.3, 675.4,
D6/678.1-678.3; 108/91-93, 160
CPC A47F 5/00; A47F 5/0018; A47F 7/00;
A47F 7/08
See application file for complete search history.

(56) **References Cited**

U.S. PATENT DOCUMENTS

- 1,710,940 A * 4/1929 Murphy A43D 117/00
211/36
- 3,788,241 A 1/1974 Ravreby
- 3,958,695 A * 5/1976 Allsop A47F 7/08
211/37
- 4,192,424 A * 3/1980 Allsop A47B 57/567
211/37
- D262,212 S * 12/1981 Janda D14/149
- 4,306,661 A * 12/1981 Allsop A47F 7/08
211/37

- 4,383,722 A * 5/1983 Weber A47B 57/04
211/37
- D279,185 S * 6/1985 Felix D14/251
- 5,172,816 A 12/1992 Kline et al.
- 5,282,553 A 2/1994 Ibled
- D620,693 S * 8/2010 Bobbett D2/961
- 7,861,870 B2 1/2011 Chiang et al.
- D729,257 S * 5/2015 Floersch D14/451
- D744,764 S * 12/2015 Sakaguchi D6/353
- 2009/0166303 A1 7/2009 Chiang

* cited by examiner

Primary Examiner — Kelley Donnelly
(74) *Attorney, Agent, or Firm* — Global Intellectual
Property Agency, LLC; Daniel Boudwin

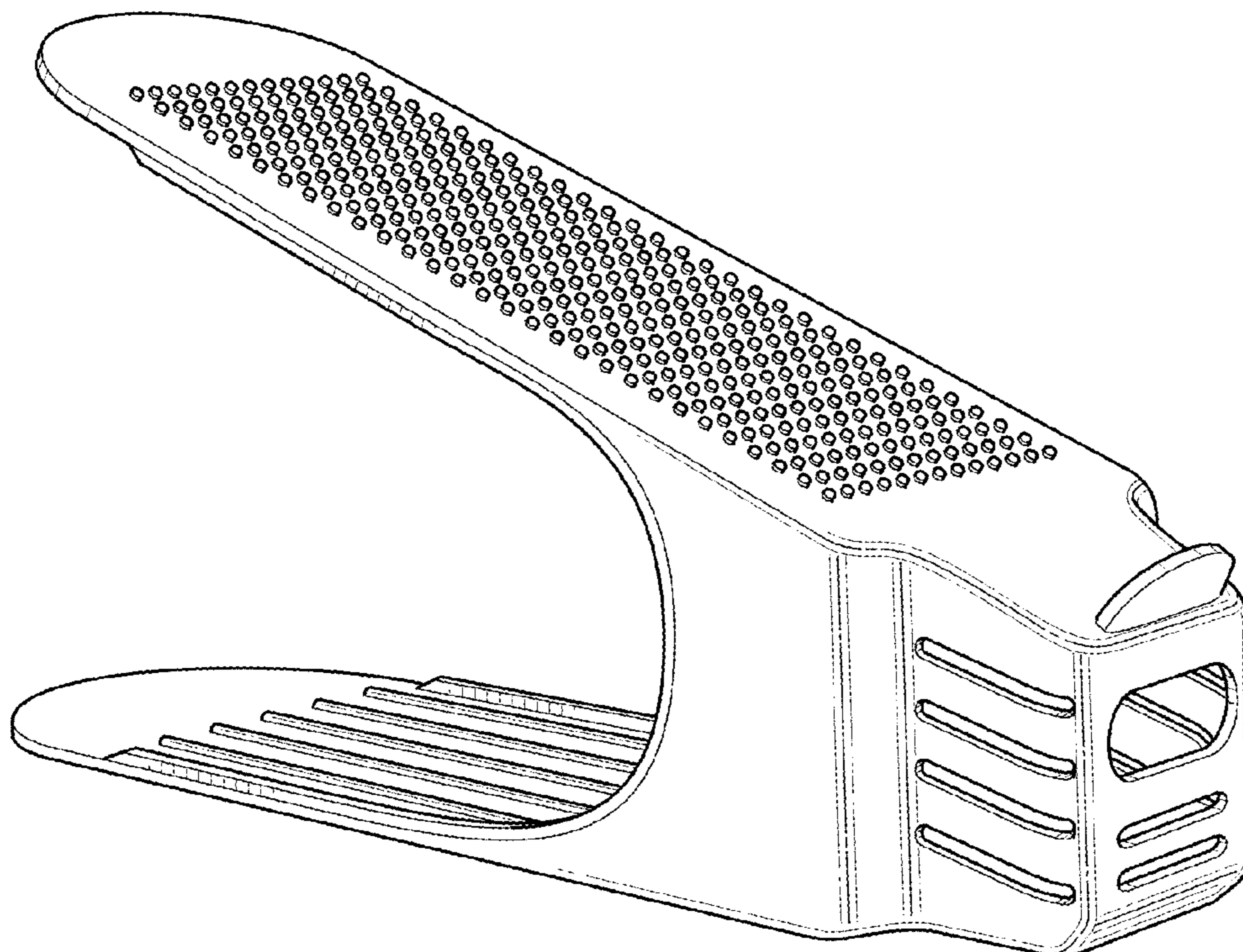
(57) **CLAIM**

The ornamental design for a shoe stand, as shown and described.

DESCRIPTION

FIG. 1 shows a perspective view of the present invention. FIG. 2 shows a first side elevational view of the present invention. FIG. 3 shows a second side elevational view of the present invention. FIG. 4 shows a first end elevational view of the present invention. FIG. 5 shows a second end elevational view of the present invention. FIG. 6 shows an overhead view of the present invention; and, FIG. 7 shows an underside view of the present invention.

1 Claim, 4 Drawing Sheets



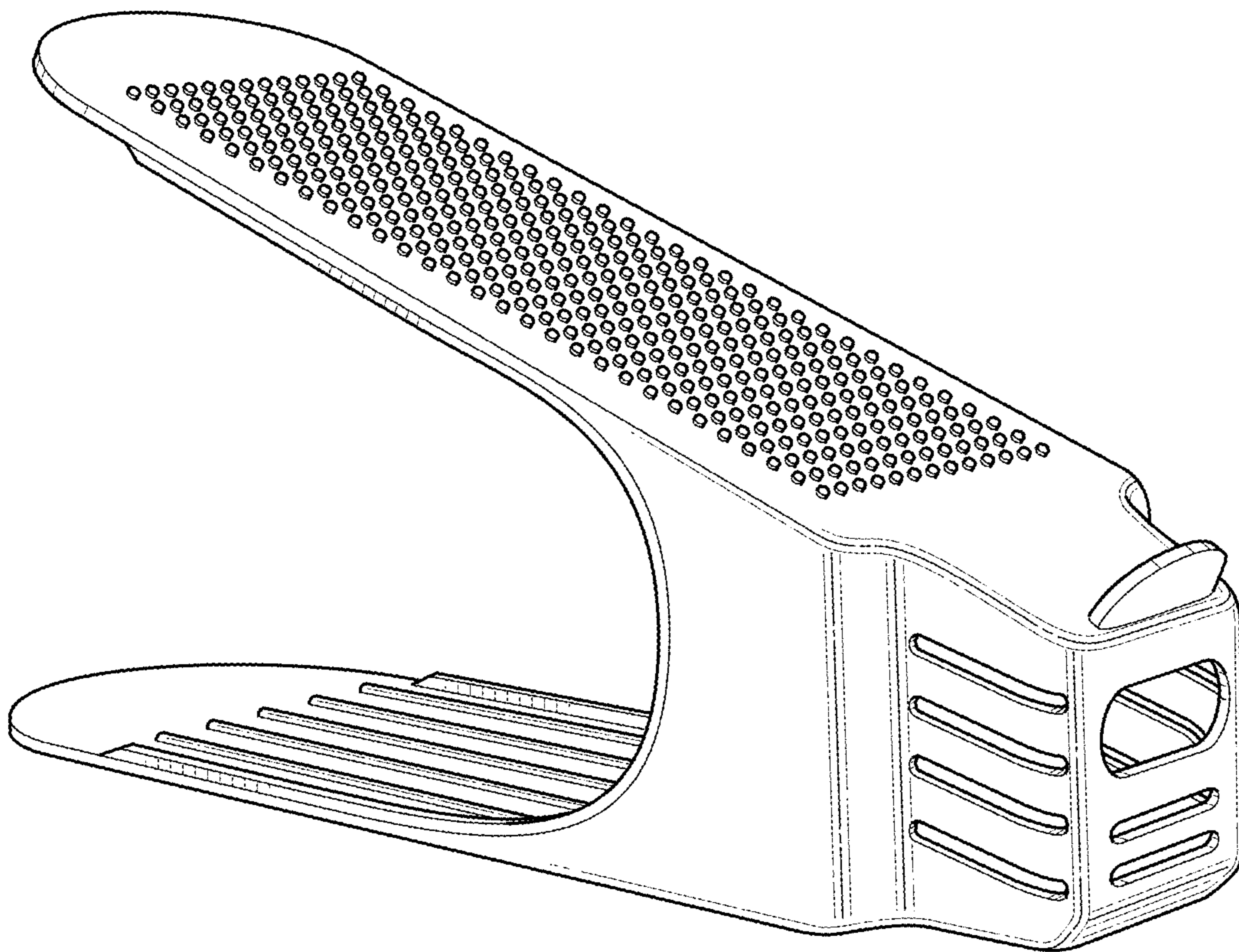


FIG. 1

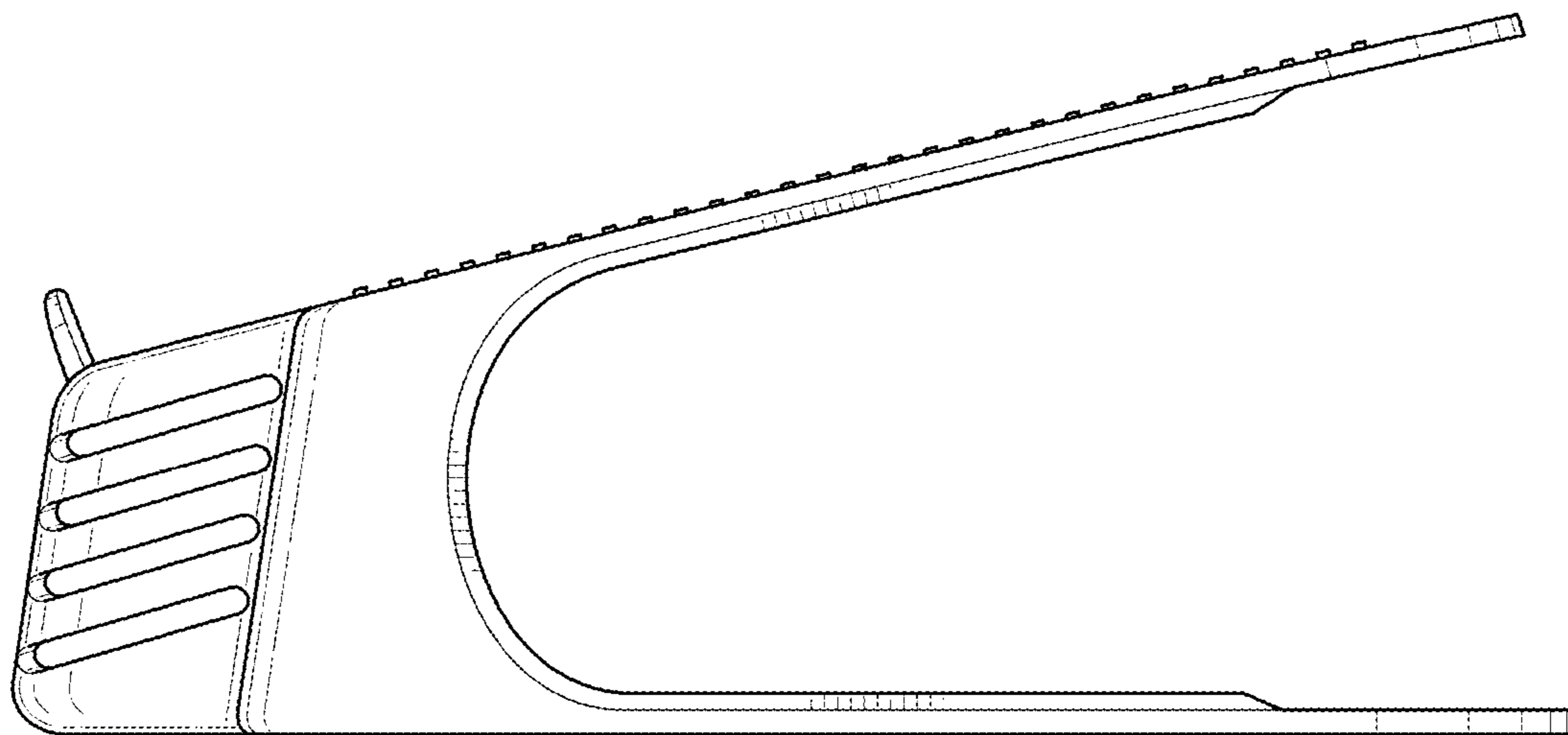


FIG. 2

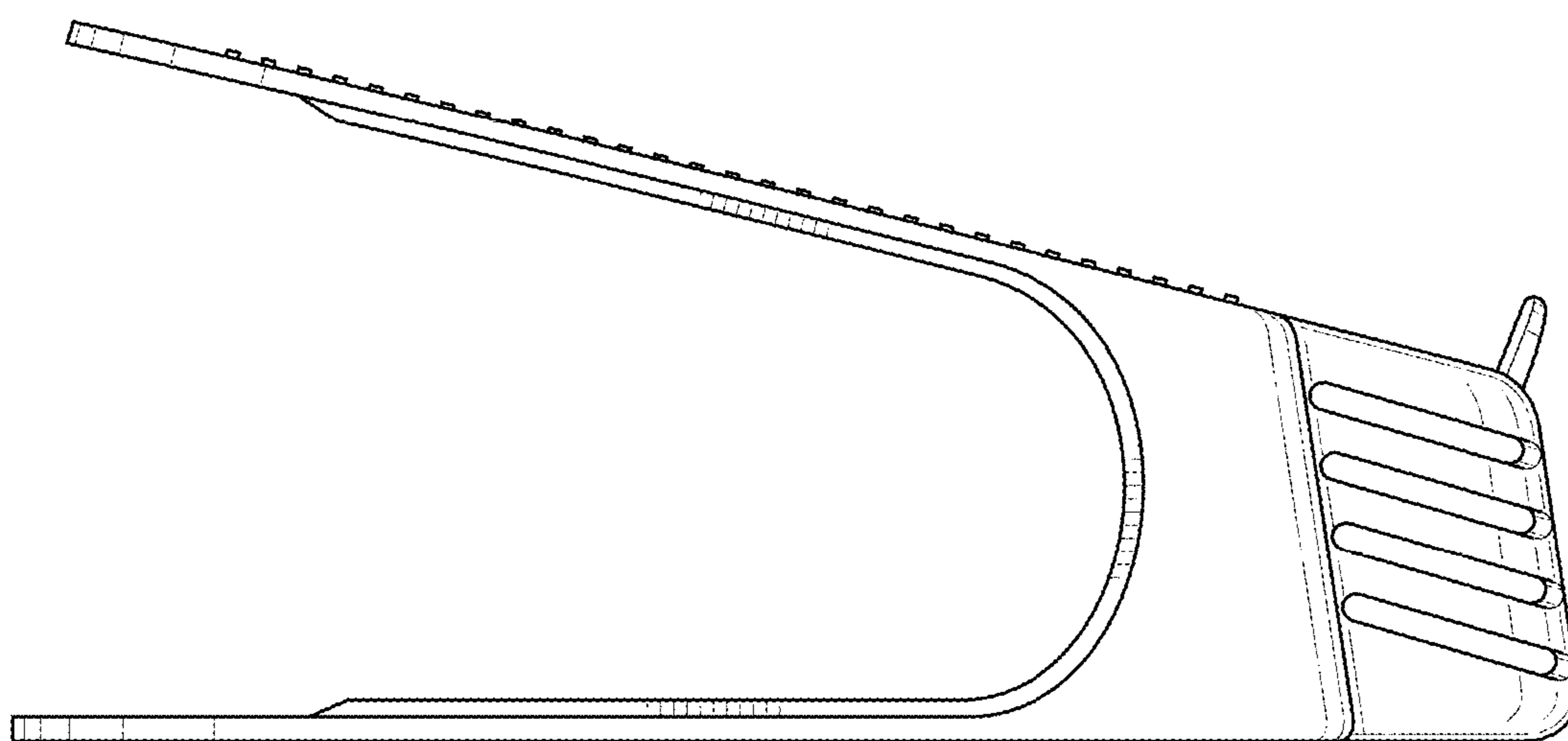


FIG. 3

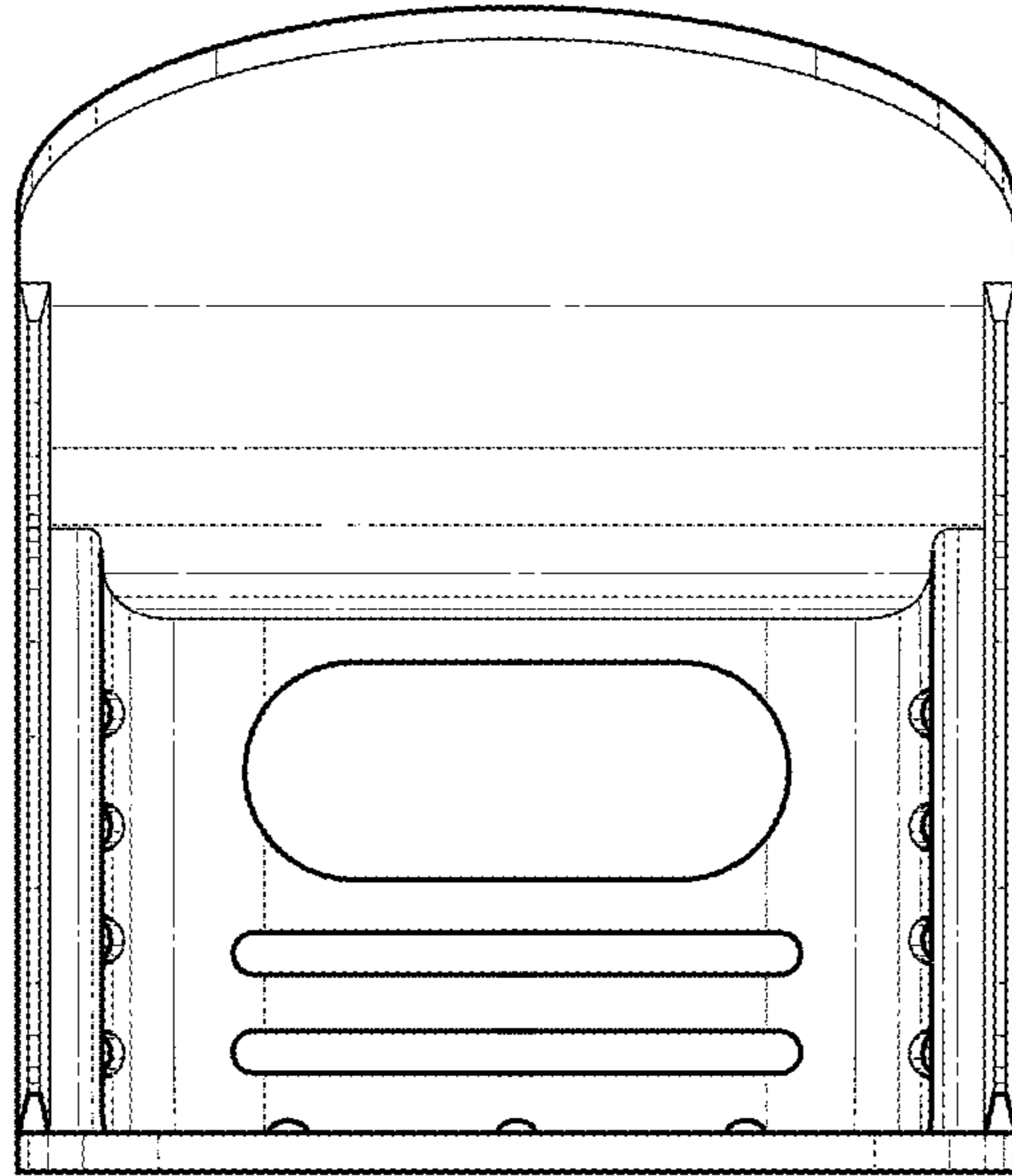


FIG. 4

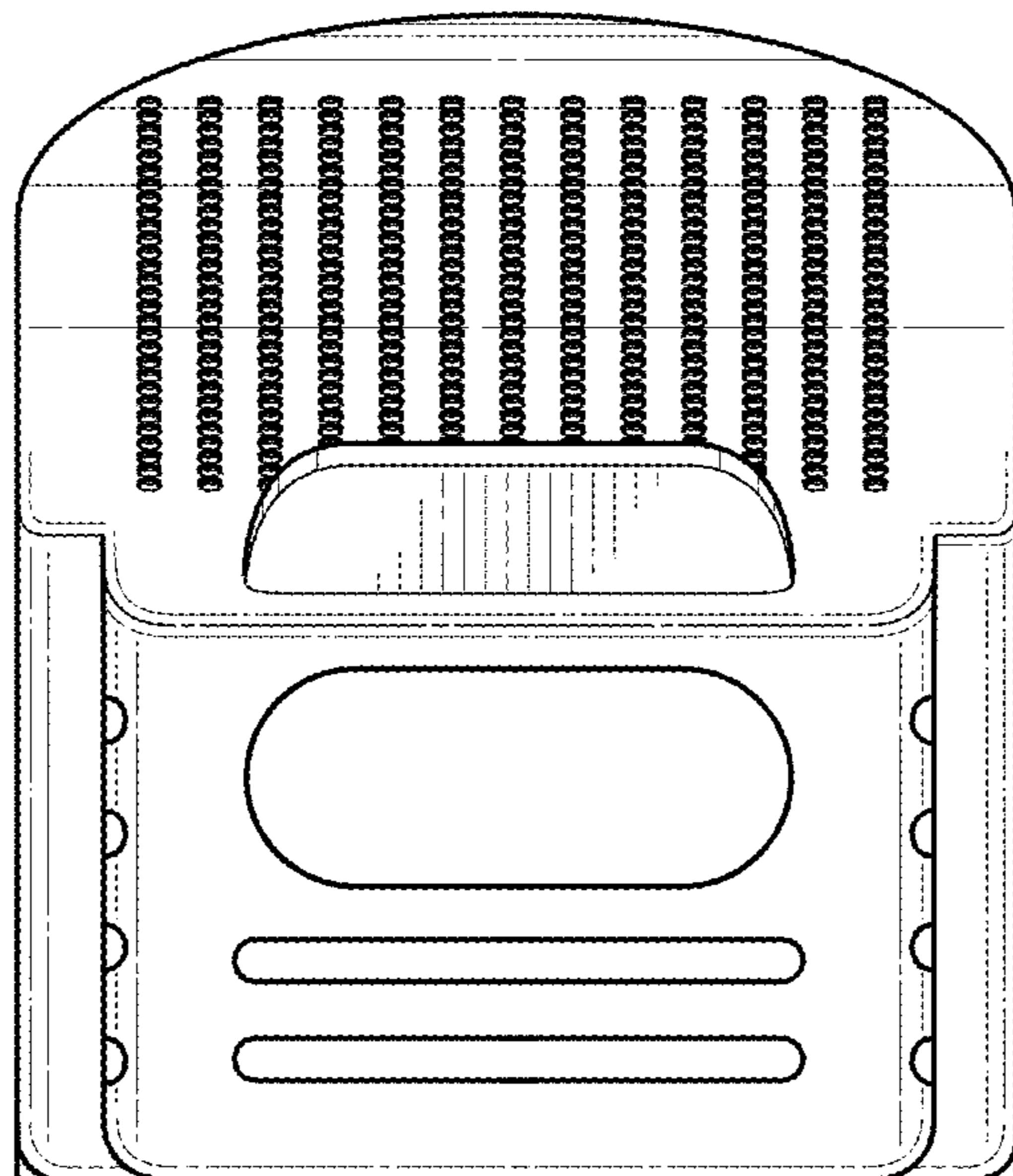


FIG. 5

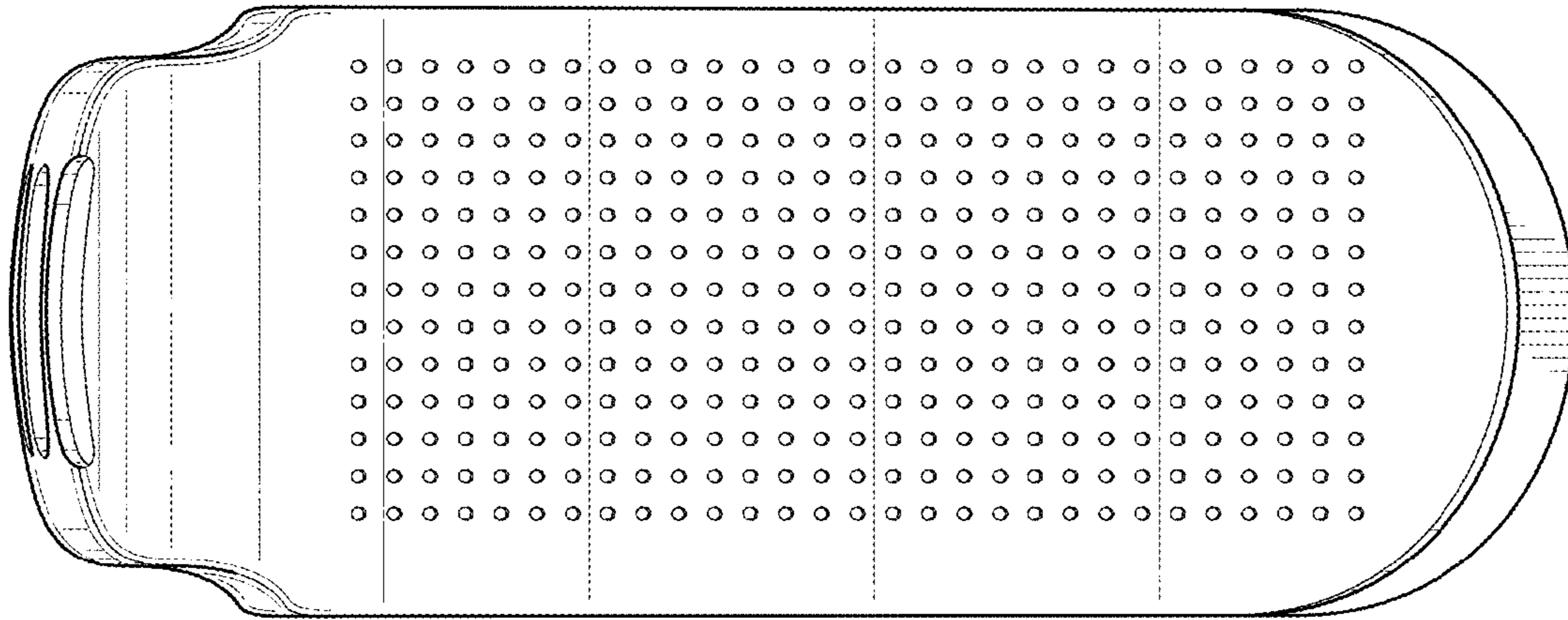


FIG. 6

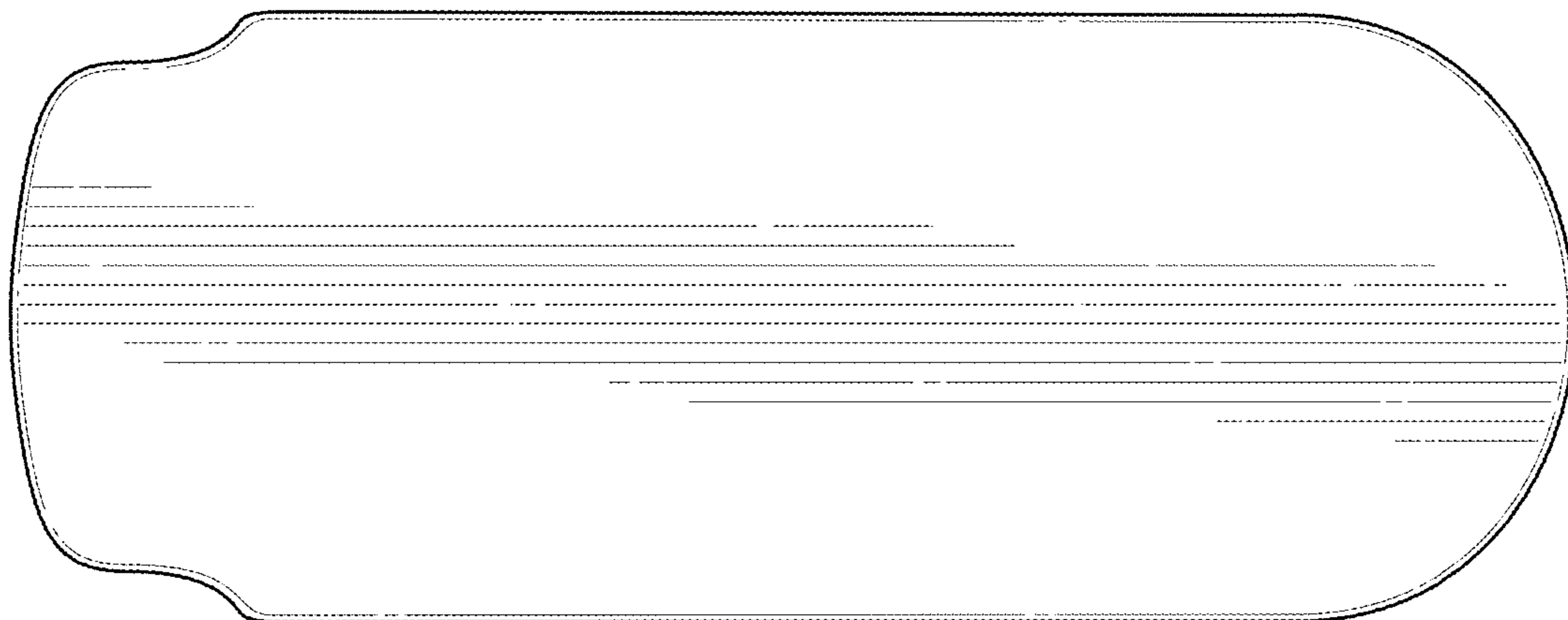


FIG. 7