



US00D775871S

(12) **United States Design Patent** (10) **Patent No.:** **US D775,871 S**  
**Volz et al.** (45) **Date of Patent:** **\*\* Jan. 10, 2017**

(54) **TEMPORARY DISPLAY RACK**  
(71) Applicant: **InnerWorkings, Inc.**, Chicago, IL (US)  
(72) Inventors: **Jodi Volz**, Loveland, OH (US); **Aaron Rieke**, Cincinnati, OH (US)  
(73) Assignee: **Innerworkings, Inc.**, Chicago, IL (US)  
(\*\*) Term: **14 Years**  
(21) Appl. No.: **29/488,838**  
(22) Filed: **Apr. 23, 2014**  
(51) **LOC (10) Cl.** ..... **06-06**  
(52) **U.S. Cl.**  
USPC ..... **D6/675.1**  
(58) **Field of Classification Search**  
USPC ..... D6/464, 474-476, 477-479, 672, 675,  
D6/675.1; 108/59-60, 91-92, 147.11, 149  
CPC ..... A47B 43/00; A47B 47/00; A47B 96/00  
See application file for complete search history.

(56) **References Cited**  
U.S. PATENT DOCUMENTS

D127,916 S	6/1941	Whitefield
2,738,542 A	4/1952	Clark
2,961,250 A	7/1957	Beach
3,208,768 A	9/1965	Hulbert
4,082,389 A	4/1978	Stewart
D253,465 S	11/1979	Lobdell
D257,823 S	1/1981	Maza et al.
D263,820 S	4/1982	Levenberg
4,519,319 A	5/1985	Howlett
4,720,115 A	1/1988	Rehrig
D294,775 S	3/1988	Rechberg

(Continued)

OTHER PUBLICATIONS

Jodi Volz, Notice of Allowance, U.S. Appl. No. 29/488,840, Apr. 1, 2015, 7 pgs.

(Continued)

*Primary Examiner* — Kelley Donnelly

(74) *Attorney, Agent, or Firm* — Morgan, Lewis & Bockius LLP

(57) **CLAIM**

An ornamental design for a temporary display rack, as shown and described.

**DESCRIPTION**

This application is related to the following applications: U.S. patent application Ser. No. 14/694,872, entitled "Temporary Display Rack" filed Apr. 23, 2014; U.S. Design patent application Ser. No. 29/488,839, entitled "Temporary Display Rack Flat Kit" filed Apr. 23, 2014; and U.S. Design patent application Ser. No. 29/488,840, entitled "Base with Wheels for a Temporary Display Rack" filed Apr. 23, 2014, now U.S. Design Pat. No. D735,510.

FIG. 1 is a perspective view of our new design of a temporary display rack.

FIG. 2 is a front view of the design of FIG. 1.

FIG. 3 is a back view of the design of FIG. 1.

FIG. 4 is a view of a left side of the design of FIG. 1.

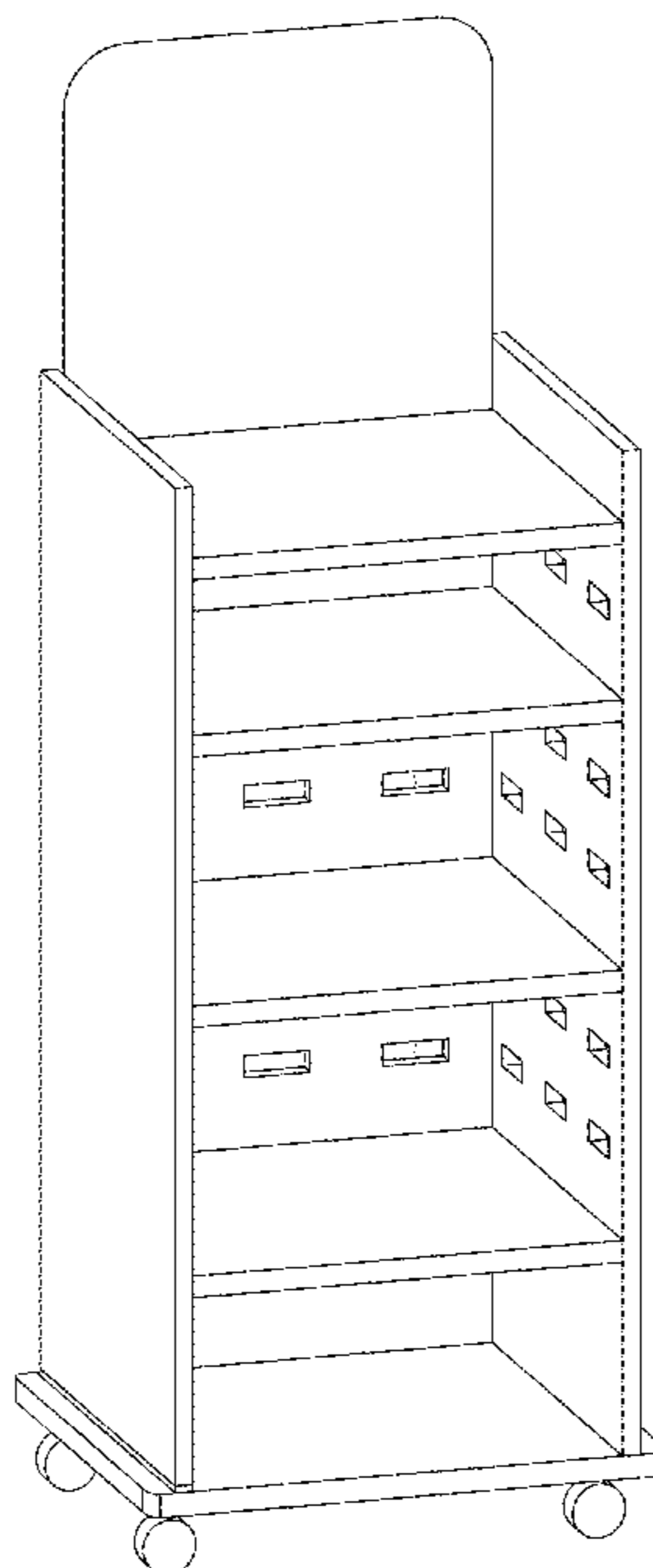
FIG. 5 is a view of a right side of the design of FIG. 1.

FIG. 6 is a top view of the design of FIG. 1; and,

FIG. 7 is a bottom view of the design of FIG. 1.

The broken lines showing a portion of an adhesive strip on the back of the temporary display rack in the Figures are for illustrative purposes only and form no part of the claimed design.

**1 Claim, 4 Drawing Sheets**



(56)

References Cited

U.S. PATENT DOCUMENTS

4,822,066 A 4/1989 Rehrig  
 5,020,669 A 6/1991 Nakagoshi  
 D321,965 S 11/1991 Delmerico et al.  
 D333,899 S 3/1993 Caceres  
 D335,374 S 5/1993 Schulze et al.  
 D340,562 S 10/1993 Kean et al.  
 D349,384 S 8/1994 Crinion  
 D352,586 S 11/1994 Baucom  
 D356,412 S 3/1995 Hensley, Jr.  
 5,451,068 A 9/1995 Shockley  
 5,472,219 A 12/1995 Eckstrum  
 D366,745 S 1/1996 Kern et al.  
 5,577,744 A 11/1996 Parks  
 D384,466 S 9/1997 Taylor  
 D399,648 S 10/1998 Hilton  
 D404,236 S 1/1999 Bergwall et al.  
 5,863,053 A 1/1999 Berry  
 D410,577 S 6/1999 Ciphers  
 D427,406 S 6/2000 Hartwall  
 6,126,022 A 10/2000 Merkel  
 6,257,152 B1 7/2001 Liu  
 6,398,234 B1 6/2002 Brown  
 D472,358 S 3/2003 Beese, Jr.  
 6,570,492 B1 5/2003 Peratoner  
 6,752,280 B2 6/2004 Dye  
 D501,591 S 2/2005 Lucht  
 D503,838 S 4/2005 Archambault  
 6,886,787 B2 5/2005 Stahl  
 6,979,005 B1 12/2005 McLerran  
 D523,201 S 6/2006 Widmer  
 D532,238 S 11/2006 Thrush  
 7,197,991 B1 4/2007 Grigsby, Jr.  
 D547,517 S 7/2007 Hernandez  
 D549,920 S 8/2007 Dukes  
 7,273,149 B2 9/2007 Lutes et al.  
 D560,402 S \* 1/2008 Lev ..... D6/675.1  
 D573,324 S 7/2008 Hernandez  
 7,481,438 B2 1/2009 Hernandez  
 D594,622 S 6/2009 Kissun  
 D608,115 S \* 1/2010 Trinh et al. .... D6/675.1  
 D610,323 S 2/2010 Saladino  
 D611,219 S 3/2010 Banasik et al.  
 D614,899 S 5/2010 Lai  
 D619,844 S 7/2010 Johnson  
 D620,669 S 7/2010 Hernandez  
 7,793,485 B2 9/2010 Blocker  
 D626,237 S 10/2010 Nordgren et al.  
 D635,801 S \* 4/2011 Stubis ..... D6/675.1  
 D644,452 S \* 9/2011 Naples et al. .... D6/675.1

D650,545 S 12/2011 Malone et al.  
 D653,893 S 2/2012 Huss et al.  
 D654,748 S 2/2012 Lu  
 D657,591 S \* 4/2012 Sanchez ..... D6/675.1  
 D679,466 S 4/2013 McCullough  
 8,544,859 B2 10/2013 Itmec et al.  
 D693,159 S 11/2013 Lidwell et al.  
 8,602,443 B2 12/2013 Moore et al.  
 8,651,298 B2 \* 2/2014 Beaty ..... 211/135  
 8,695,878 B2 4/2014 Burnside et al.  
 D703,975 S 5/2014 Huss et al.  
 D707,914 S 6/2014 Ward  
 D716,080 S \* 10/2014 Bell et al. .... D6/675.1  
 D718,077 S \* 11/2014 Schneider et al. .... D6/675  
 D722,243 S \* 2/2015 Kehoe et al. .... D6/675.3  
 D731,823 S \* 6/2015 Kelinske et al. .... D6/675.1  
 D732,817 S 6/2015 Elstow et al.  
 D733,386 S 6/2015 Della Polla  
 D734,413 S 7/2015 Bettin et al.  
 D735,510 S 8/2015 Volz et al.  
 D735,833 S 8/2015 Winstead  
 D739,886 S 9/2015 Vetter  
 D740,591 S 10/2015 Huss et al.  
 2003/0121872 A1 7/2003 Gervasi  
 2003/0205877 A1 11/2003 Verna et al.  
 2005/0151336 A1 7/2005 Neuman  
 2005/0212242 A1 9/2005 Cheng  
 2006/0207481 A1 9/2006 McCarthy  
 2007/0000857 A1 1/2007 Roth  
 2007/0296167 A1 12/2007 Beswick et al.  
 2009/0134230 A1 5/2009 Stojak et al.  
 2010/0030667 A1 2/2010 Chudy et al.  
 2010/0133215 A1 6/2010 Norman  
 2011/0156367 A1 6/2011 King  
 2013/0062293 A1 3/2013 Beaty  
 2014/0008884 A1 1/2014 Itmec et al.  
 2014/0230295 A1 \* 8/2014 Hawkins ..... 40/606.03

OTHER PUBLICATIONS

Jodi Volz, Office Action, U.S. Appl. No. 29/488,840, Sep. 12, 2014, 5 pgs.  
 Jodi Volz, Office Action, U.S. Appl. No. 29/531,752, Sep. 11, 2015, 4 pgs.  
 Jodi Volz, Notice of Allowance, U.S. Appl. No. 29/531,752, Dec. 14, 2015, 5 pgs.  
 Jodi Volz, Office Action, U.S. Appl. No. 29/488,839, Nov. 10, 2015, 5 pgs.  
 Jodi Volz, Office Action, U.S. Appl. No. 14/694,872, Aug. 5, 2016, 14 pgs.

\* cited by examiner

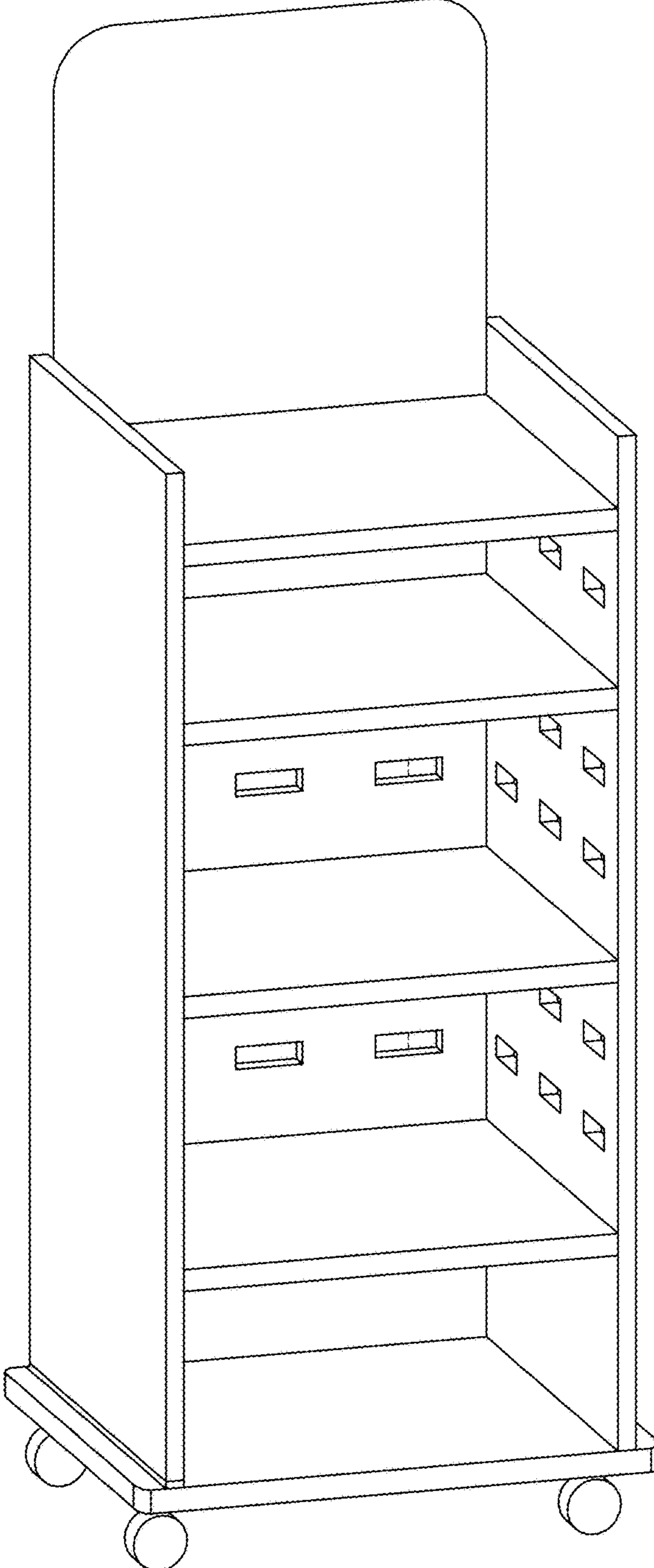


FIG 1

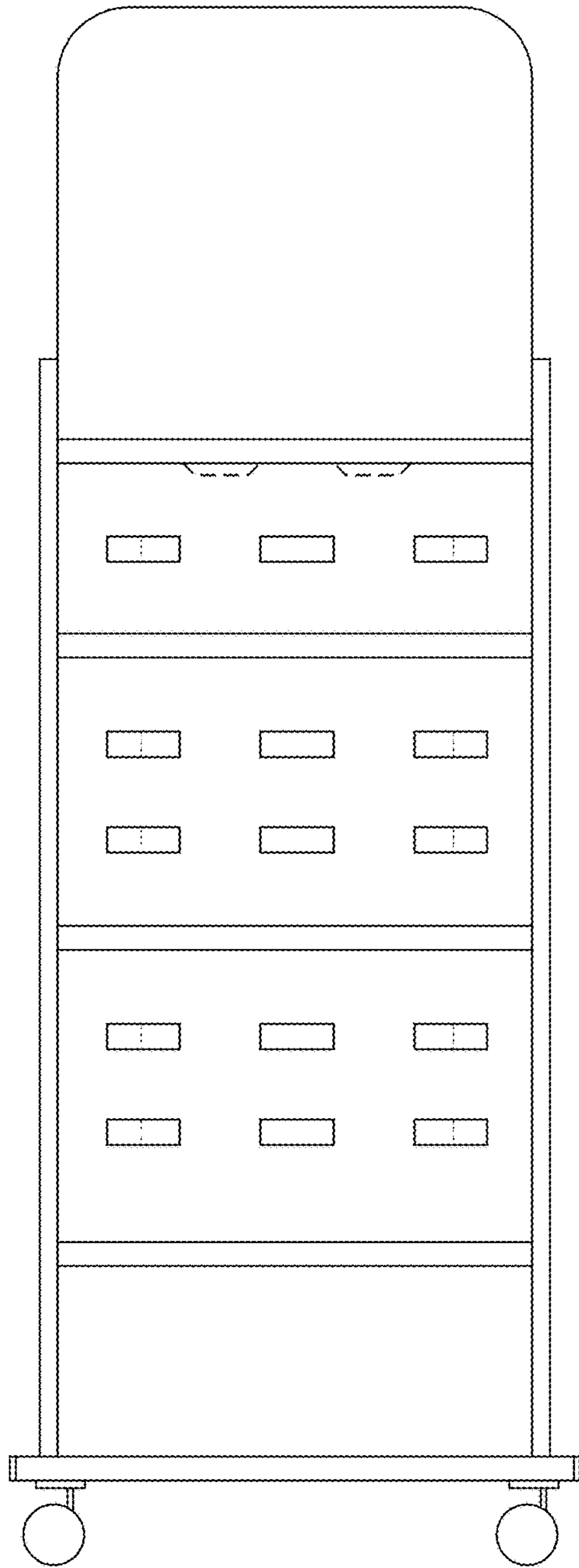


FIG 2

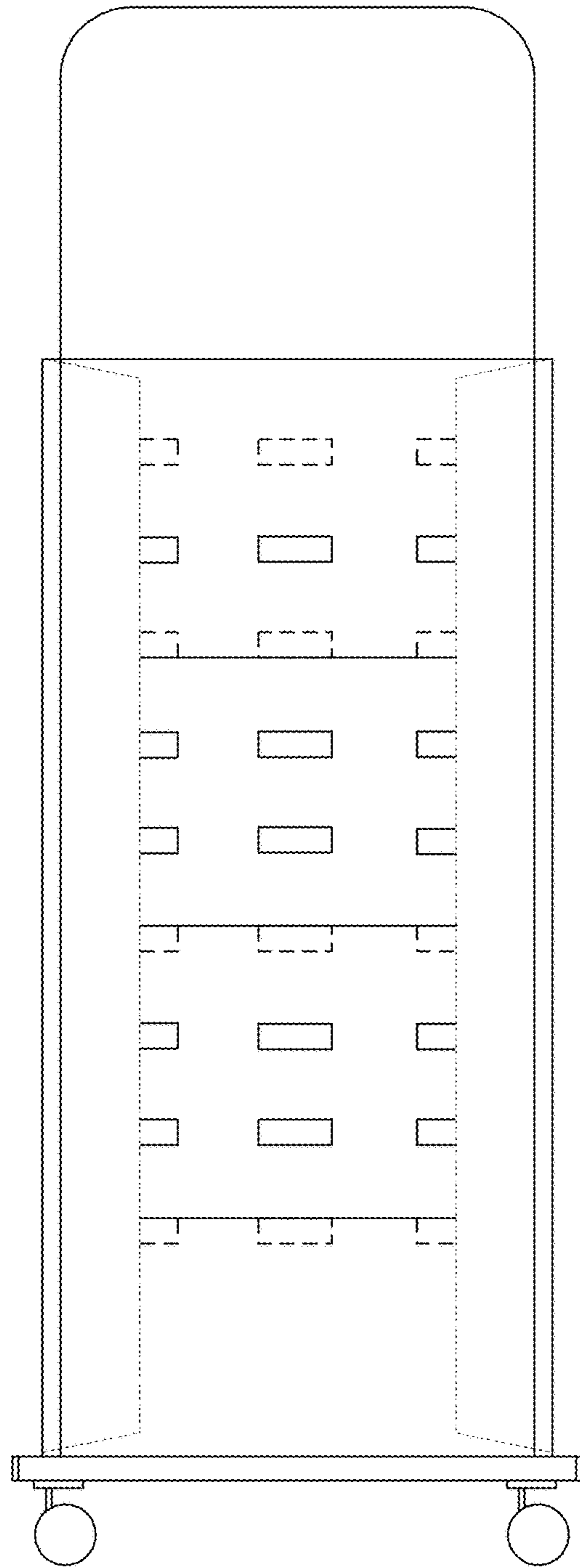


FIG 3

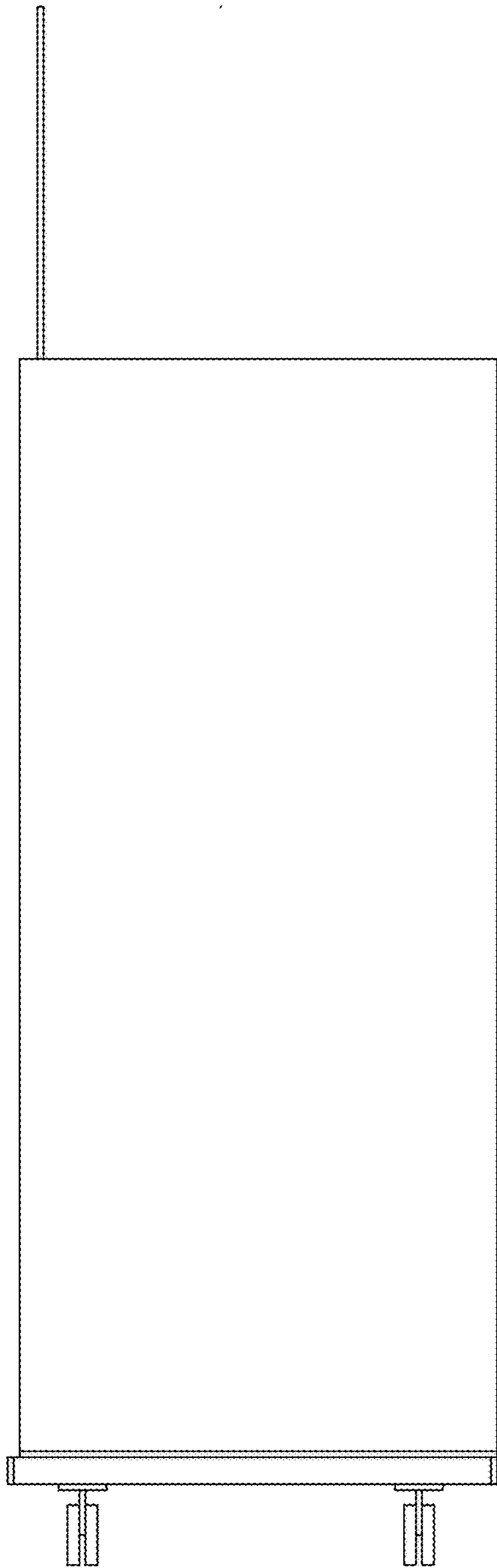


FIG 4

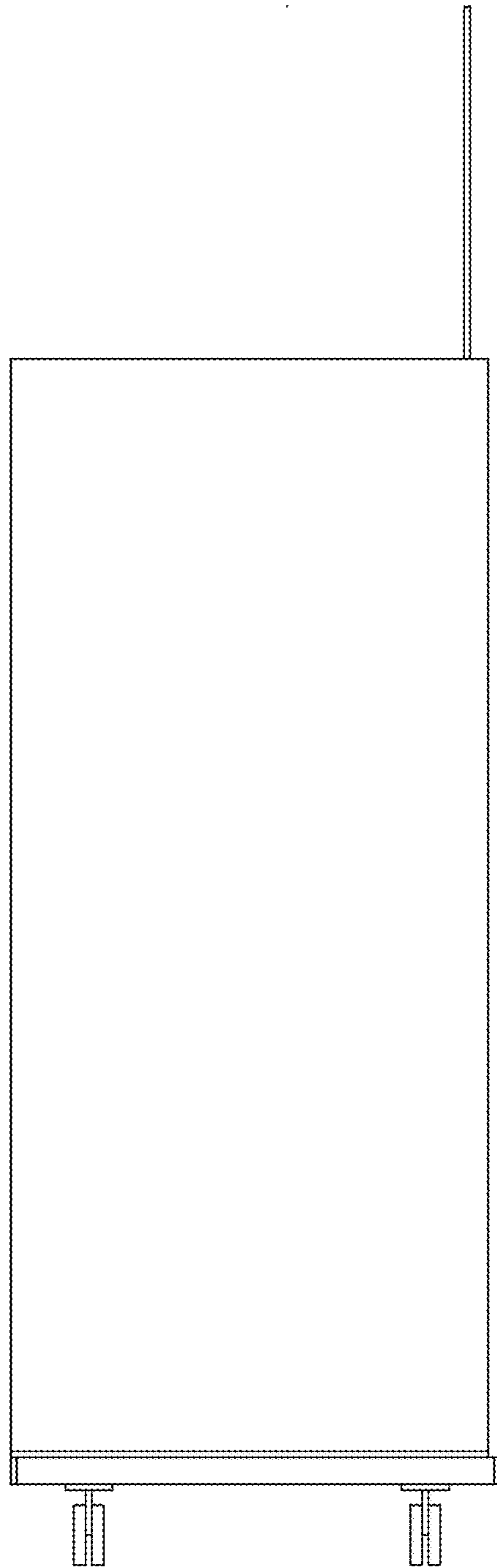


FIG 5

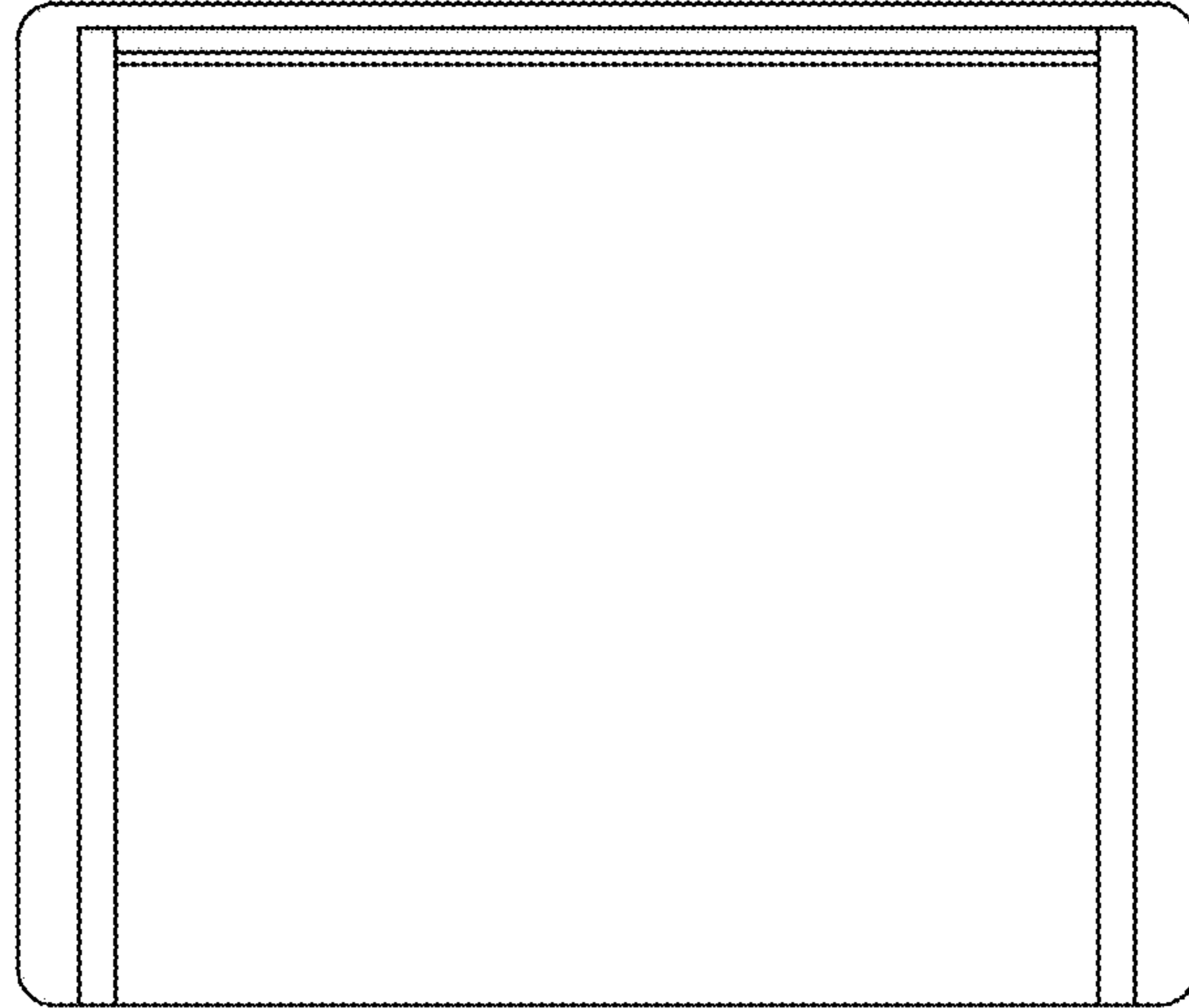


FIG 6

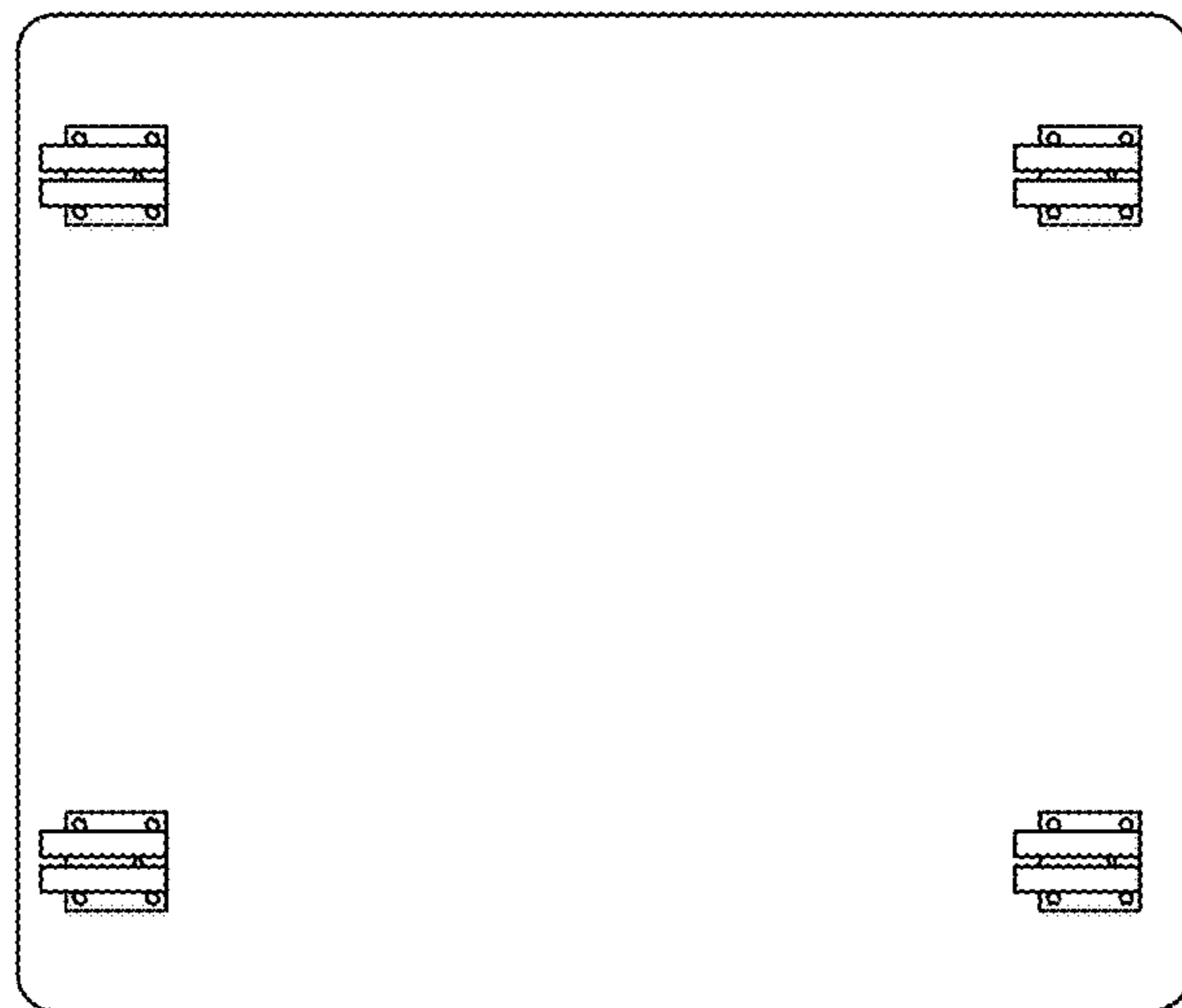


FIG 7