



US00D775869S

(12) **United States Design Patent** (10) **Patent No.:** **US D775,869 S**  
**Kroll** (45) **Date of Patent:** **\*\* Jan. 10, 2017**

(54) **CROSS-SHAPED DISPLAY STAND**  
(71) Applicant: **William F. Kroll**, Boca Raton, FL (US)  
(72) Inventor: **William F. Kroll**, Boca Raton, FL (US)  
(\*\*) Term: **15 Years**  
(21) Appl. No.: **29/559,379**  
(22) Filed: **Mar. 28, 2016**

D323,679 S \* 2/1992 Burgess ..... D20/40  
D328,925 S \* 8/1992 Levin ..... D20/41  
D333,163 S \* 2/1993 Mendelsohn ..... D20/40  
(Continued)

**OTHER PUBLICATIONS**

Tabletop Cross: Announced Dec. 16, 2011 [online], site visited Nov. 11, 2015. Available from Internet URL:<http://www.christianbook.com/no-tears-in-heaven-tabletop-cross/pd/387484?event=CFCB#curr>.

*Primary Examiner* — John Windmuller

*Assistant Examiner* — Steven Czyz

(74) *Attorney, Agent, or Firm* — Mark D. Bowen, Esq.;  
Malin Haley DiMaggio & Bowen, P.A.

**Related U.S. Application Data**

(63) Continuation-in-part of application No. 29/494,780,  
filed on Jun. 24, 2014, now Pat. No. Des. 752,367.

(51) **LOC (10) Cl.** ..... **06-04**

(52) **U.S. Cl.**  
USPC ..... **D6/674**

(58) **Field of Classification Search**

USPC ..... D6/303, 310, 314, 332, 672, 674, 674.1,  
D6/680.2; D11/96, 121, 122, 125, 131,  
D11/157, 175; D19/90, 91; D20/15, 29,  
D20/40; D99/23, 27

CPC ..... A47F 3/00; A47F 5/00; A47G 33/00;  
A47G 33/002; A47G 33/004; A47G  
33/008; A47G 33/02; F16B 12/12; F16B  
12/14

See application file for complete search history.

(57) **CLAIM**

The ornamental design for a cross-shaped display stand, as shown and described.

**DESCRIPTION**

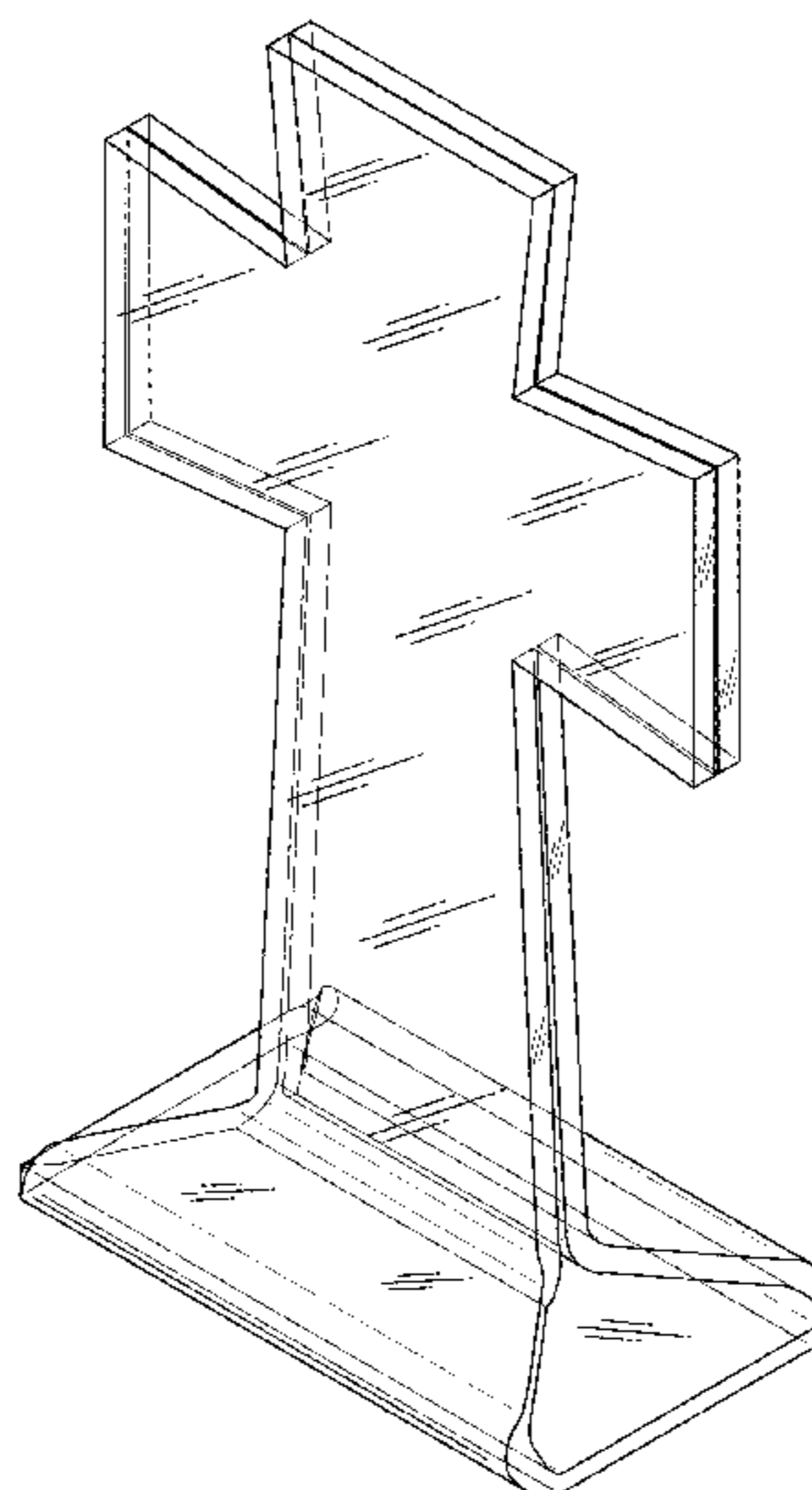
FIG. 1 is a front perspective view of a cross-shaped display stand in accordance with the present invention;  
FIG. 2 is a rear perspective view thereof;  
FIG. 3 is a front thereof, with the rear view being identical;  
FIG. 4 is a right side view thereof, with the left side view being identical;  
FIG. 5 is a top view thereof;  
FIG. 6 is a bottom view thereof;  
FIG. 7 is a front perspective view of a second embodiment in accordance with the present invention;  
FIG. 8 is a rear perspective view thereof;  
FIG. 9 is a front view thereof, with the rear view being identical;  
FIG. 10 is a right side view thereof, with the left side view being identical;  
FIG. 11 is a top view thereof; and,  
FIG. 12 is a bottom view thereof.  
The dot-dash lines represent portions of the cross-shaped display that form no part of the claimed design.

(56) **References Cited**

**U.S. PATENT DOCUMENTS**

D67,289 S 5/1925 Ladewich  
D160,900 S \* 11/1950 Suhren et al. .... D11/122  
D168,686 S \* 1/1953 Hunter et al. .... D6/515  
D256,398 S \* 8/1980 Mitchell ..... D99/25  
D272,547 S 2/1984 Gordon  
D277,196 S \* 1/1985 Eason ..... D20/15  
D284,777 S \* 7/1986 Anthony ..... D19/91  
D296,843 S \* 7/1988 Jessop ..... D6/314  
D313,050 S \* 12/1990 Burgess ..... D20/40  
D320,622 S \* 10/1991 Yasika ..... D20/18

**1 Claim, 10 Drawing Sheets**



(56)

References Cited

U.S. PATENT DOCUMENTS

D333,682 S \* 3/1993 Burgess ..... D20/40  
 D338,315 S \* 8/1993 Larson ..... 428/3  
 D343,076 S \* 1/1994 Cadman ..... D7/619.1  
 D344,981 S \* 3/1994 Noreika ..... D20/40  
 D363,088 S \* 10/1995 Noreika ..... D19/90  
 D390,883 S \* 2/1998 Watkins ..... D20/15  
 D412,074 S \* 7/1999 DeWitt ..... D6/672  
 D424,330 S \* 5/2000 DeWitt ..... D6/672  
 D426,582 S \* 6/2000 Noreika ..... D19/90  
 D442,993 S \* 5/2001 Eisen ..... D19/73  
 D443,970 S \* 6/2001 Stucker ..... D99/23  
 D480,182 S \* 9/2003 McAnally  
 D518,939 S \* 4/2006 Borgerding ..... D99/25  
 D578,275 S \* 10/2008 Shantz ..... D99/17  
 D618,135 S \* 6/2010 Horst ..... D11/157  
 D619,926 S \* 7/2010 Letney ..... D11/157  
 D653,166 S \* 1/2012 Dunn ..... D11/184  
 D653,988 S \* 2/2012 Hayden ..... D11/96  
 D654,828 S \* 2/2012 Piric ..... D11/157  
 D658,908 S \* 5/2012 Kroll ..... D6/674  
 D659,430 S \* 5/2012 Kroll ..... D6/674

D659,431 S \* 5/2012 Kroll ..... D6/674  
 D659,432 S \* 5/2012 Kroll ..... D6/674  
 D666,120 S \* 8/2012 Austin ..... D11/120  
 D671,770 S \* 12/2012 Kroll ..... D6/674  
 D672,383 S \* 12/2012 Tan ..... D16/237  
 D678,118 S \* 3/2013 Cadigan ..... D11/96  
 D679,624 S \* 4/2013 Robbins ..... D11/96  
 D685,675 S \* 7/2013 Dubow ..... D11/157  
 D688,594 S \* 8/2013 Dunn ..... D11/184  
 D710,706 S \* 8/2014 Tussy ..... D9/600  
 D715,514 S \* 10/2014 Voss  
 RE45,427 E \* 3/2015 Kroll ..... D6/300  
 RE45,428 E \* 3/2015 Kroll ..... D6/300  
 RE45,546 E \* 6/2015 Kroll ..... D6/674  
 RE45,560 E \* 6/2015 Kroll ..... D6/300  
 RE45,622 E \* 7/2015 Kroll ..... D6/300  
 D745,793 S \* 12/2015 Kroll ..... D20/29  
 D746,086 S \* 12/2015 Kroll ..... D20/29  
 D751,790 S \* 3/2016 Voss ..... D99/27  
 D752,367 S \* 3/2016 Kroll ..... D20/29  
 D752,368 S \* 3/2016 Kroll ..... D20/29  
 D756,590 S \* 5/2016 Bialecki ..... D99/27  
 D757,466 S \* 5/2016 Kroll ..... D20/29

\* cited by examiner

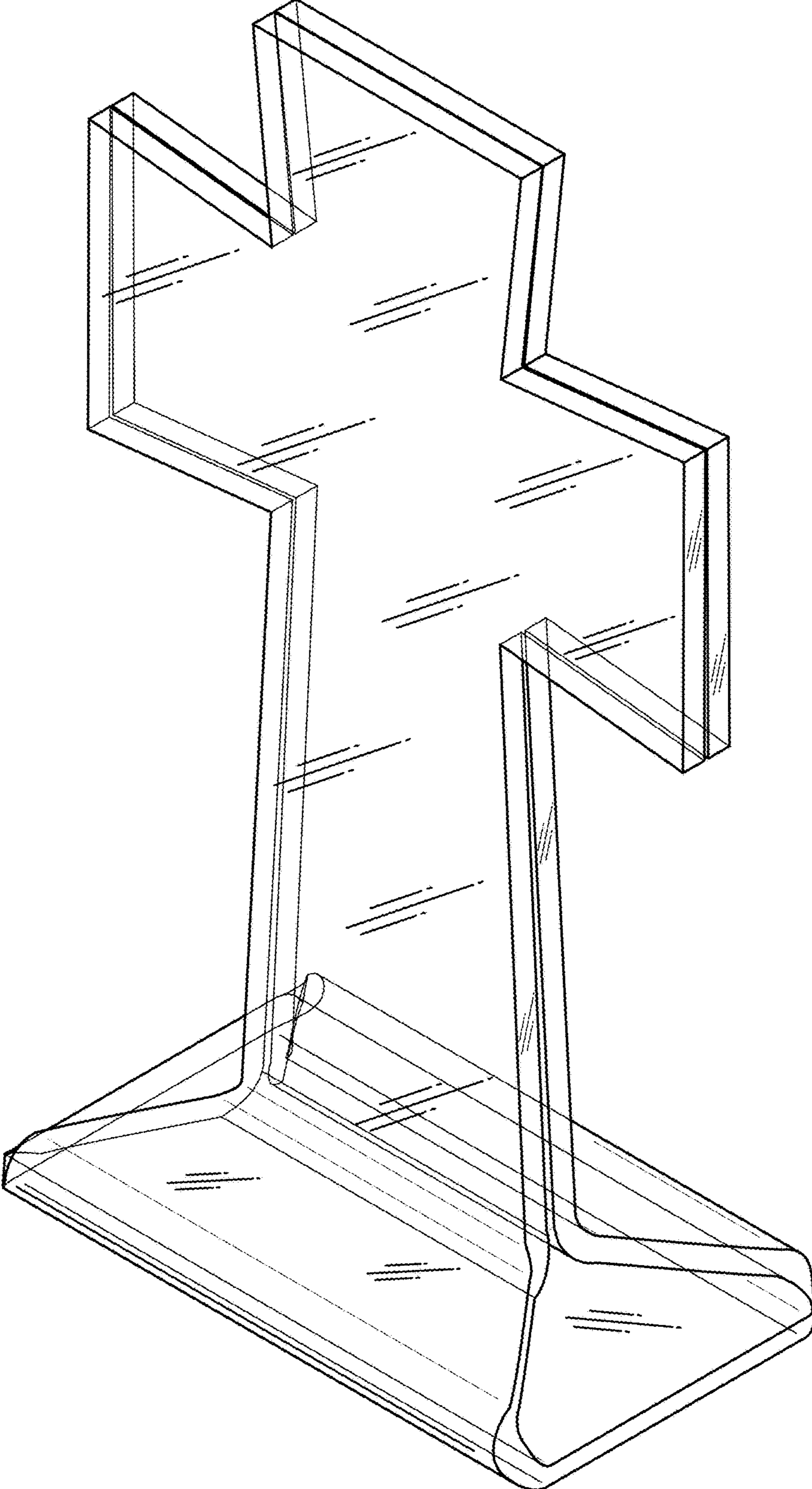


FIG. 1

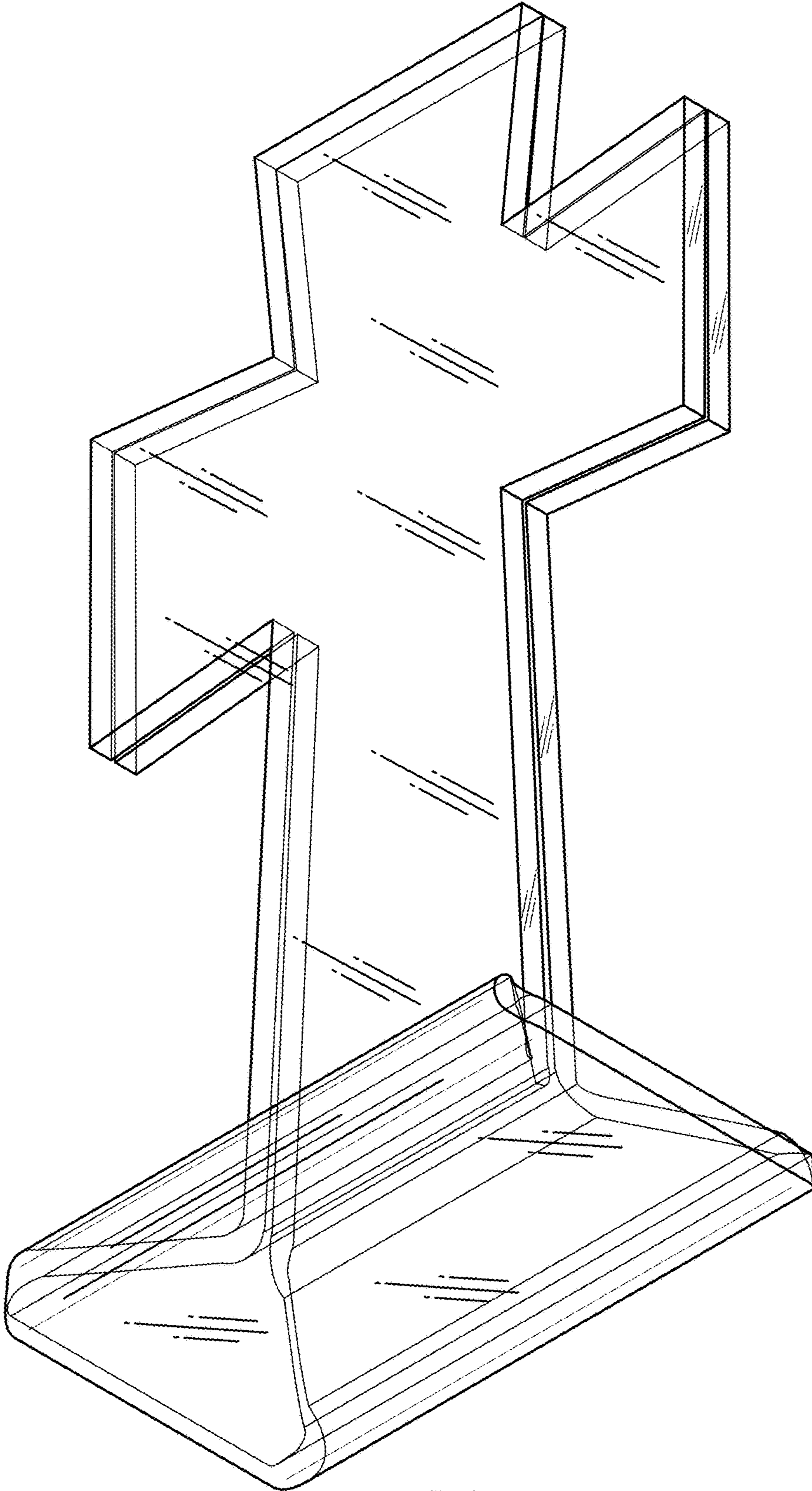


FIG. 2

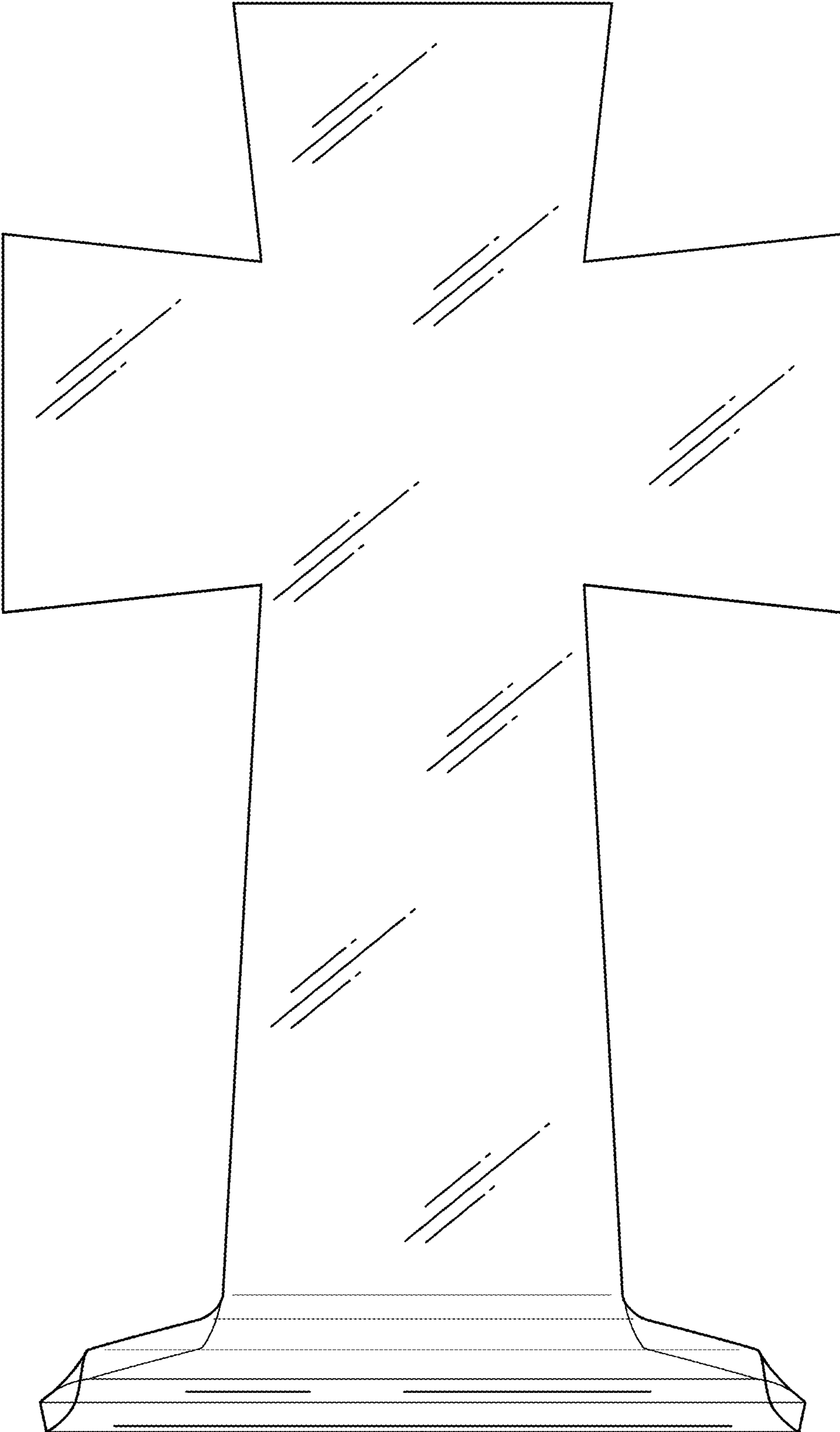


FIG. 3

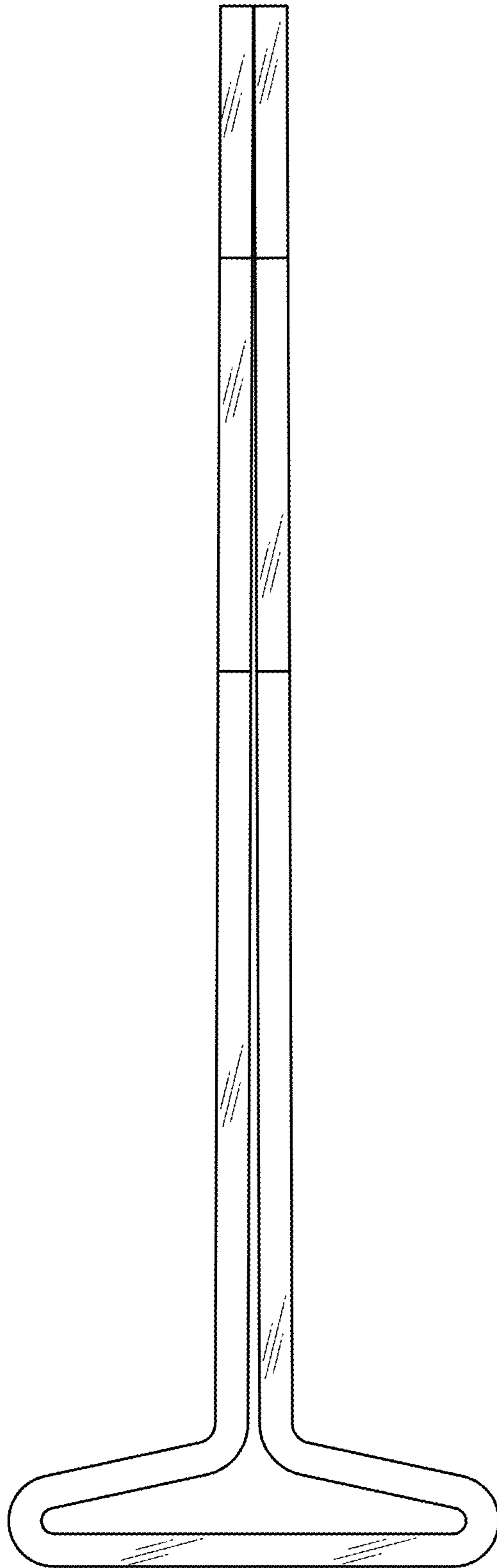


FIG. 4

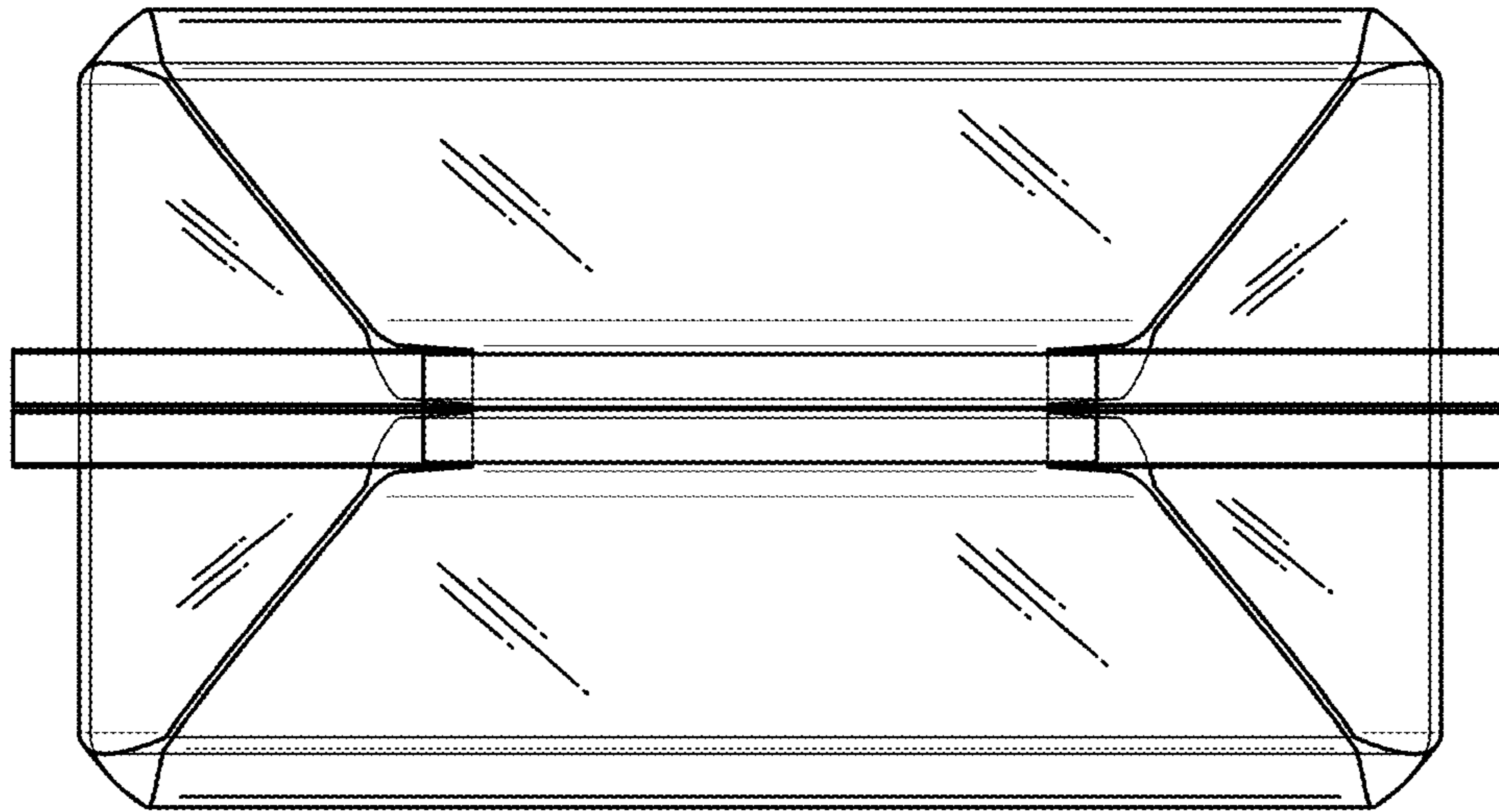


FIG. 5

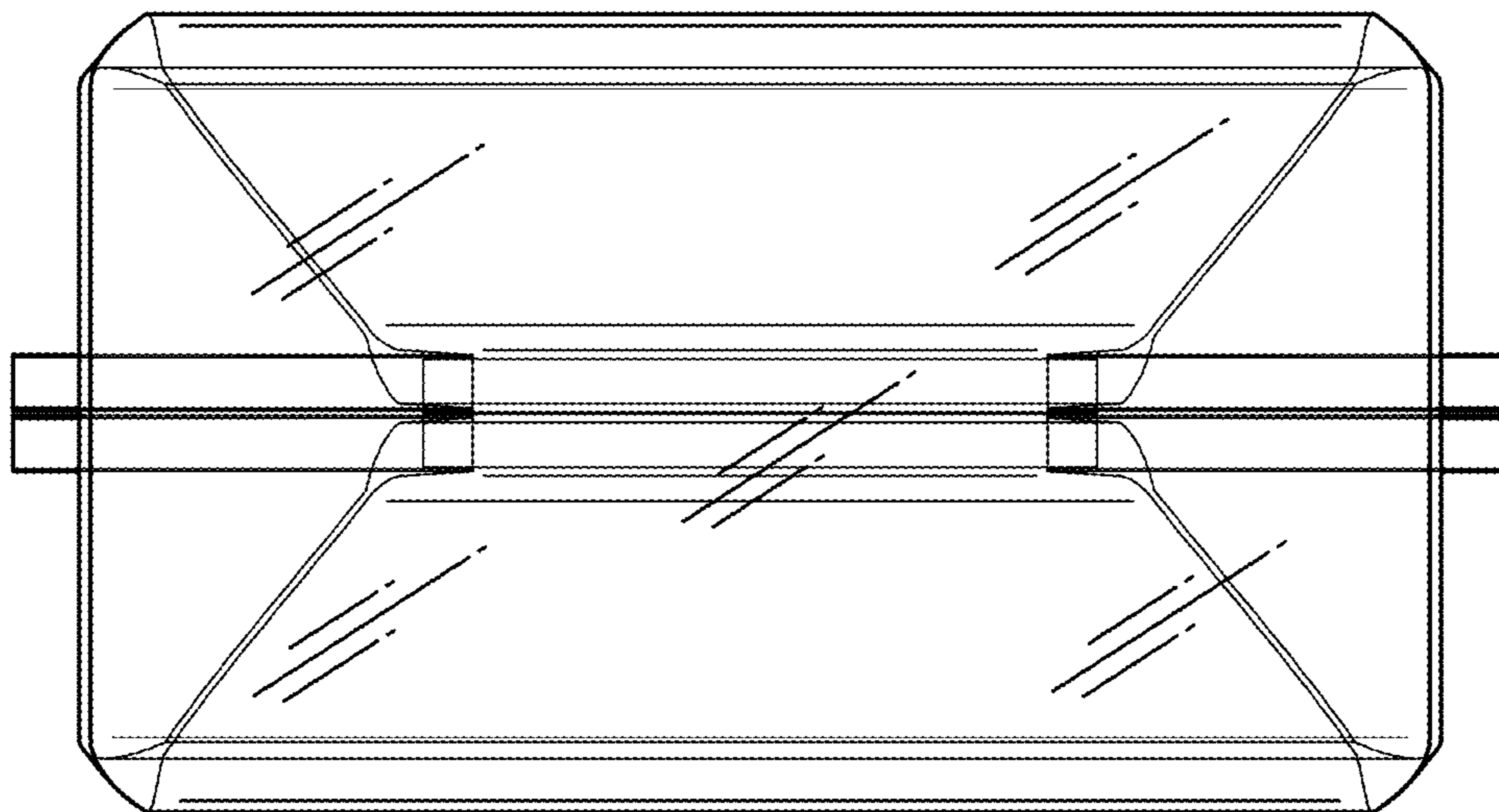


FIG. 6

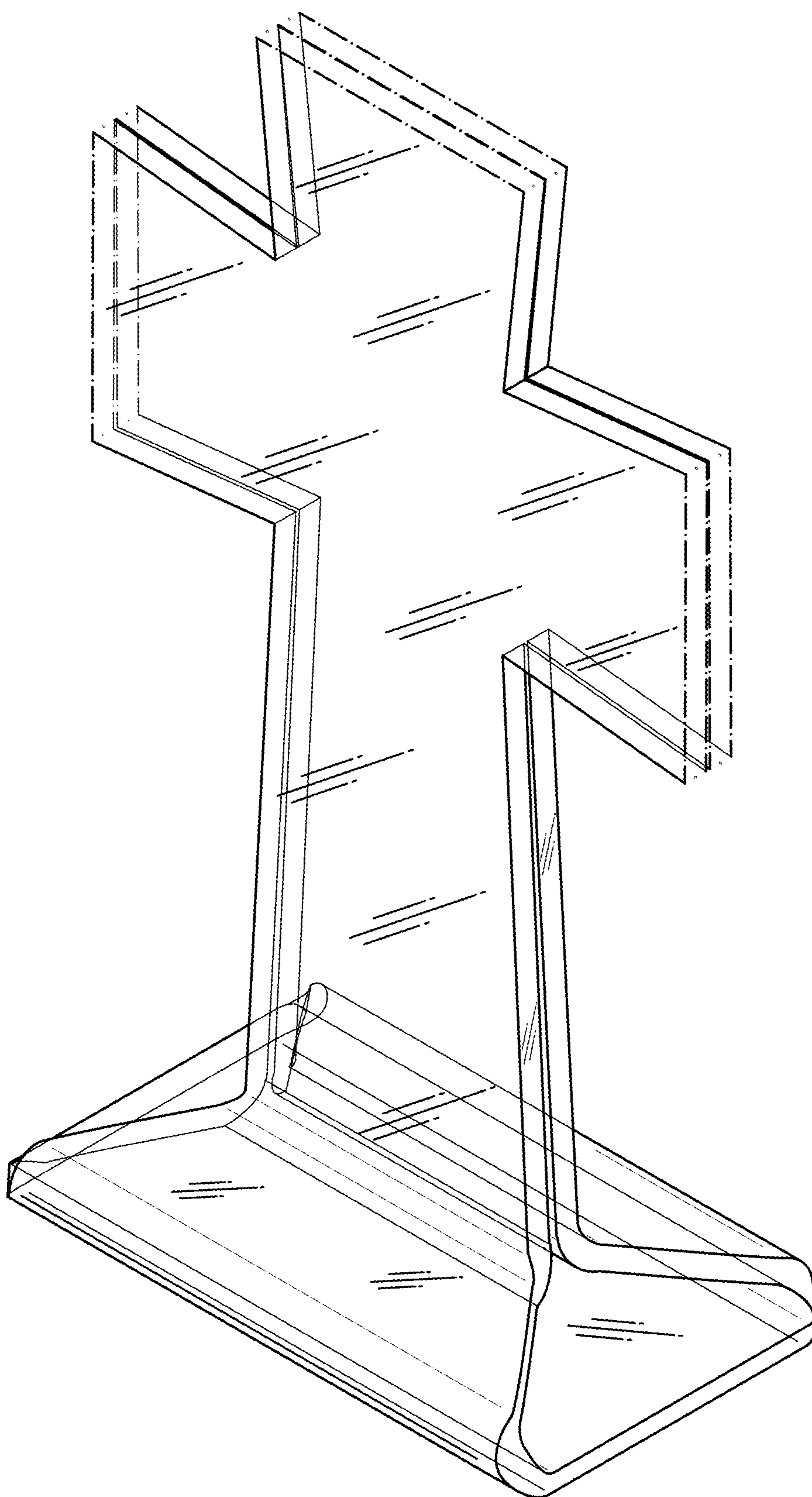


FIG. 7



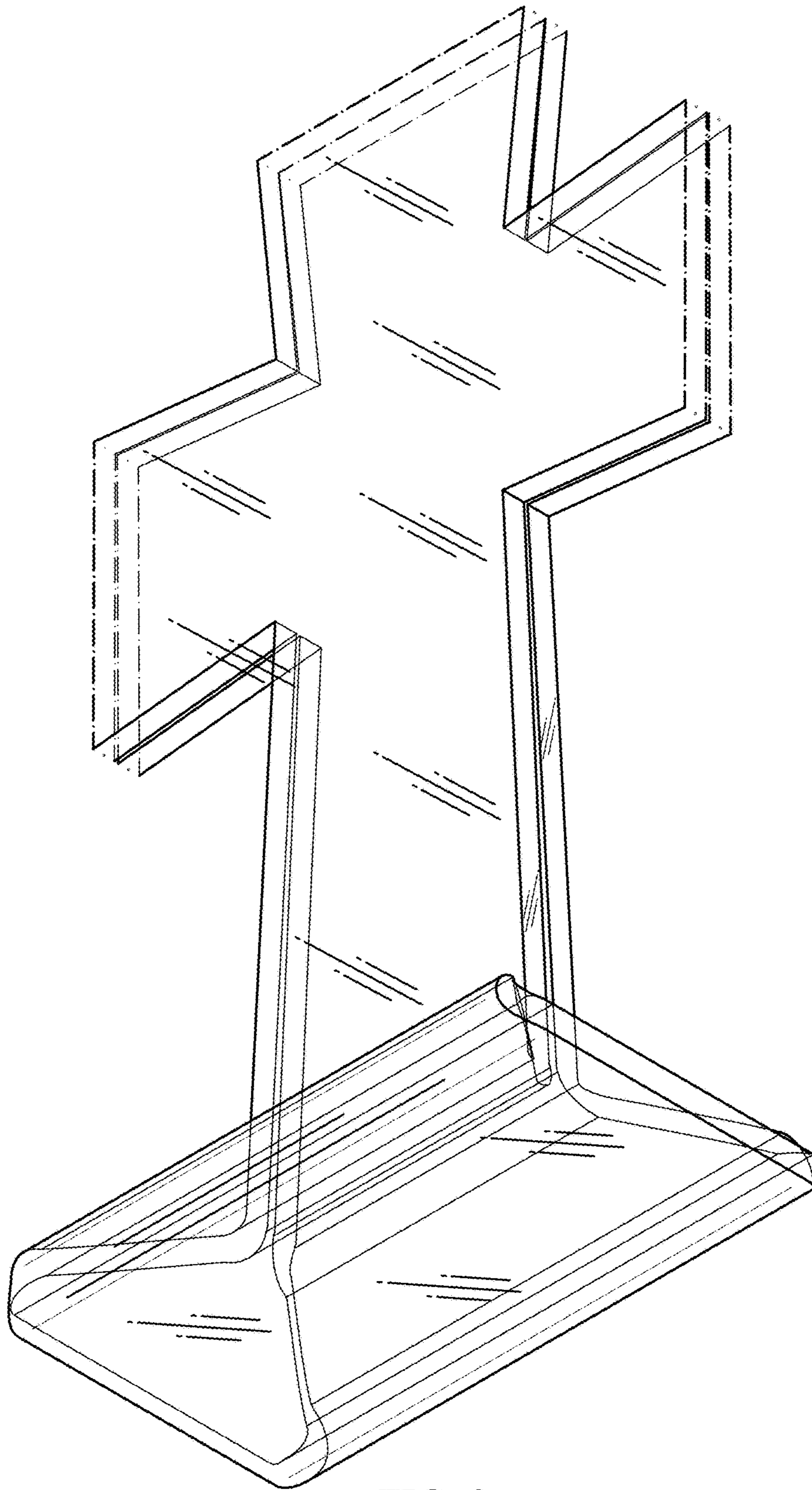


FIG. 8

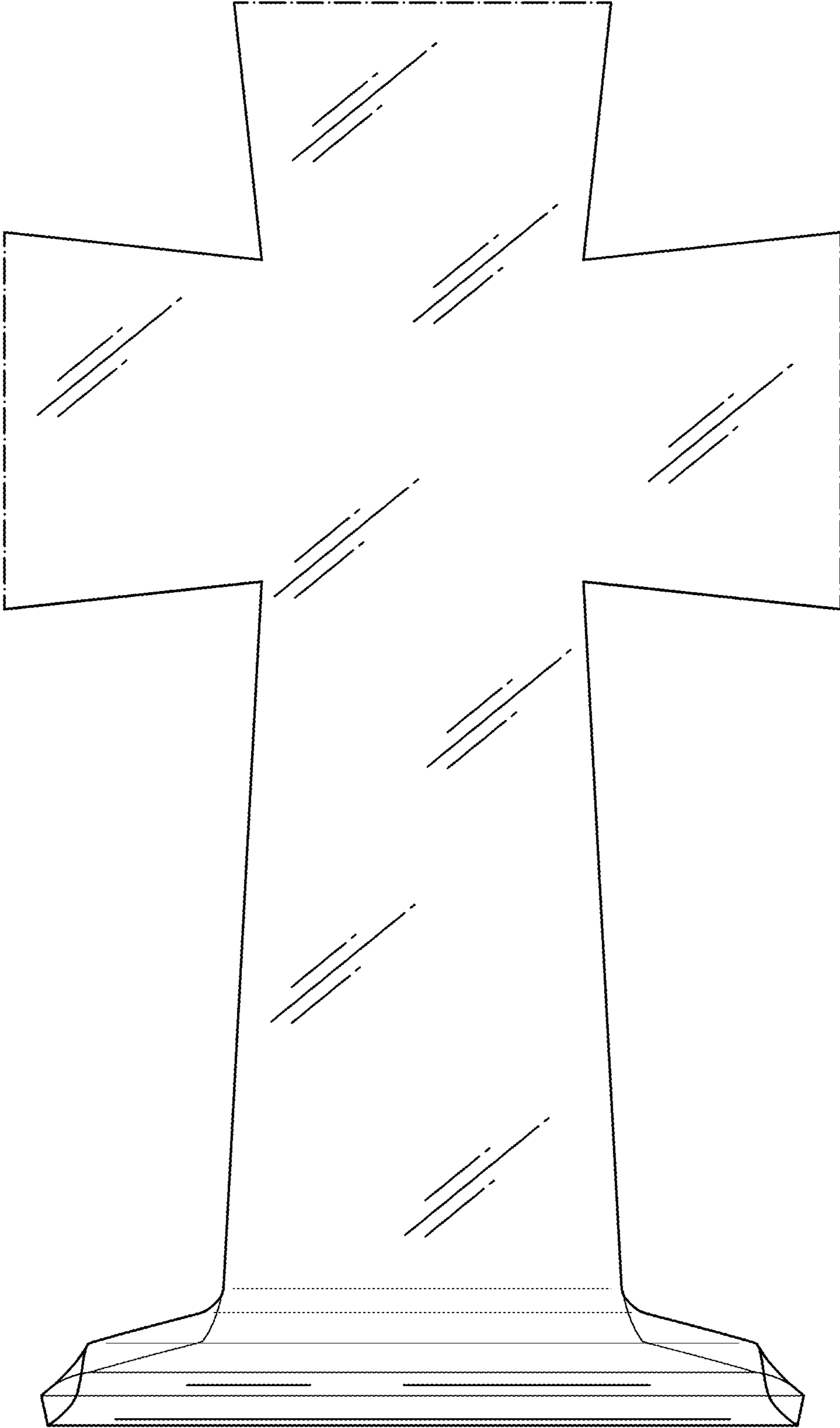


FIG. 9

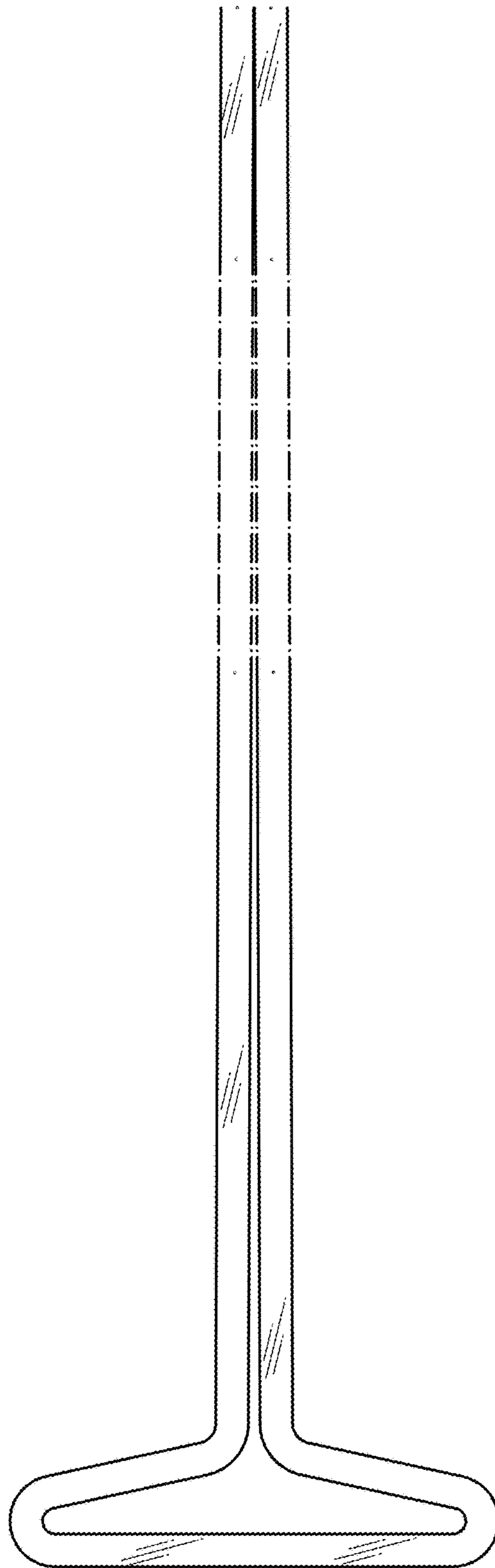


FIG. 10

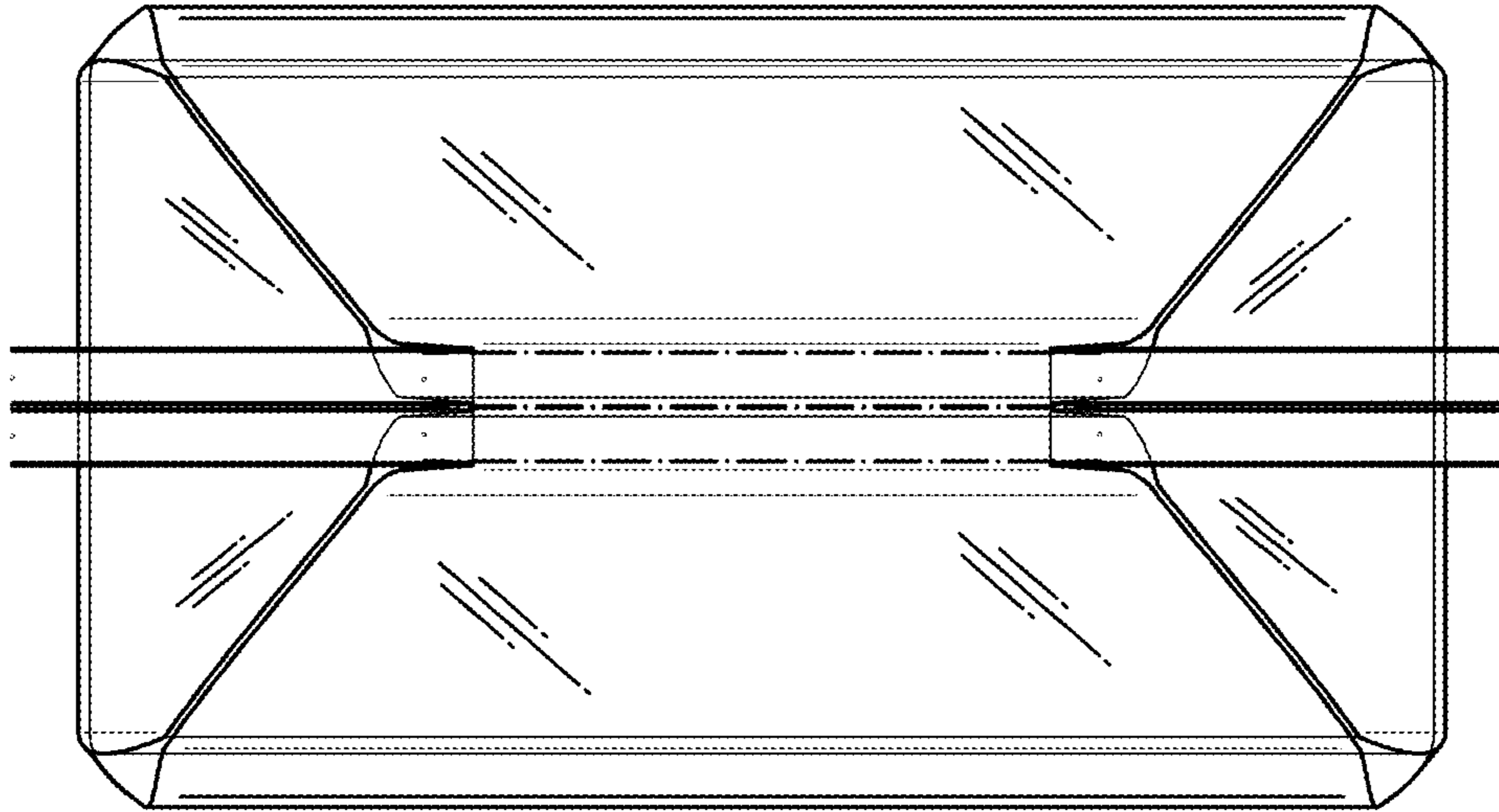


FIG. 11

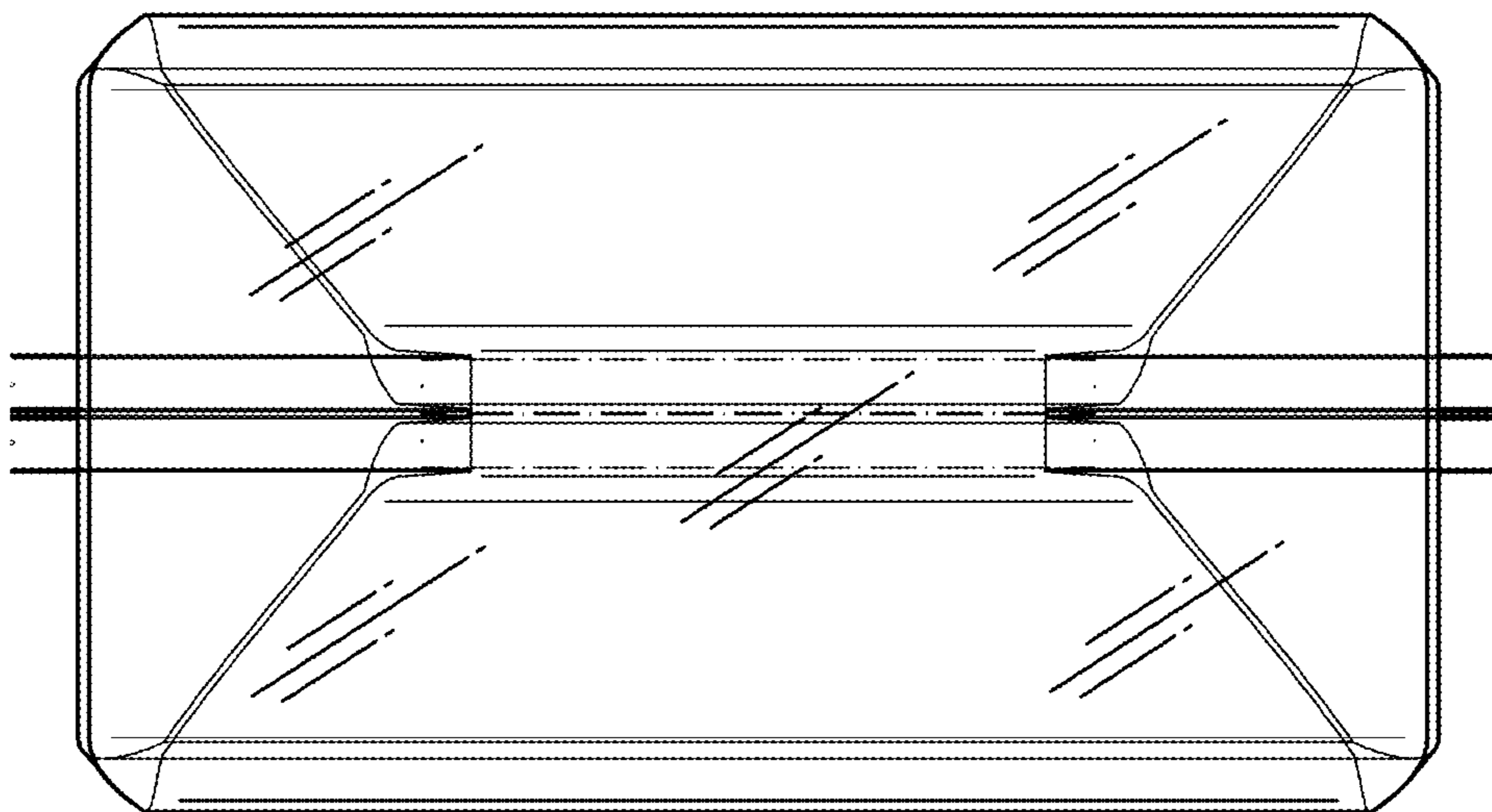


FIG. 12