



US00D775868S

(12) **United States Design Patent** (10) **Patent No.:** **US D775,868 S**
Kroll (45) **Date of Patent:** **** Jan. 10, 2017**

(54) **CROSS-SHAPED DISPLAY STAND**

(71) Applicant: **William F. Kroll**, Boca Raton, FL (US)

(72) Inventor: **William F. Kroll**, Boca Raton, FL (US)

(**) Term: **15 Years**

(21) Appl. No.: **29/559,376**

(22) Filed: **Mar. 28, 2016**

Related U.S. Application Data

(63) Continuation-in-part of application No. 29/494,783, filed on Jun. 24, 2014, now Pat. No. Des. 752,368.

(51) **LOC (10) Cl.** **06-04**

(52) **U.S. Cl.**
USPC **D6/674**

(58) **Field of Classification Search**
USPC D6/303, 310, 314, 332, 672, 674, 674.1, D6/680.2; D11/96, 121, 122, 125, 131, D11/157, 175; D19/90, 91; D20/15, 29, D20/40; D99/23, D99/27

(Continued)

(56) **References Cited**

U.S. PATENT DOCUMENTS

D67,289 S 5/1925 Ladewich
D86,806 S 4/1932 Ladwich

(Continued)

OTHER PUBLICATIONS

Waterford Crystal Cross: Announced Sep. 16, 2012 [online] site visited [Sep. 14, 2015]. Available from internet URL: http://religmuseum.com/unt/900-waterford_crystal_cross_holy_water_wall_hanging_font_html.

(Continued)

Primary Examiner — John Windmuller

Assistant Examiner — Steven Czyz

(74) *Attorney, Agent, or Firm* — Mark D. Bowen, Esq.; Malin Haley DiMaggio & Bowen, P.A.

(57) **CLAIM**

The ornamental design for a cross-shaped display stand, as shown and described.

DESCRIPTION

FIG. 1 is a front perspective view of a cross shaped display stand in accordance with the present invention;

FIG. 2 is a rear perspective view thereof;

FIG. 3 is a front thereof, with the rear view being identical;

FIG. 4 is a right side view thereof, with the left side view being identical;

FIG. 5 is a top view thereof;

FIG. 6 is a bottom view thereof;

FIG. 7 is a front perspective view of a second embodiment in accordance with the present invention;

FIG. 8 is a rear perspective view thereof;

FIG. 9 is a front view thereof, with the rear view being identical;

FIG. 10 is a right side view thereof, with the left side view being identical;

FIG. 11 is a top view thereof;

FIG. 12 is a bottom view thereof;

FIG. 13 is a front perspective view of a third embodiment in accordance with the present invention;

FIG. 14 is a rear perspective view thereof;

FIG. 15 is a front view thereof, with the rear view being identical;

FIG. 16 is a right side view thereof, with the left side view being identical;

FIG. 17 is a top view thereof;

FIG. 18 is a bottom view thereof;

FIG. 19 is a front perspective view of a fourth embodiment in accordance with the present invention;

FIG. 20 is a rear perspective view thereof;

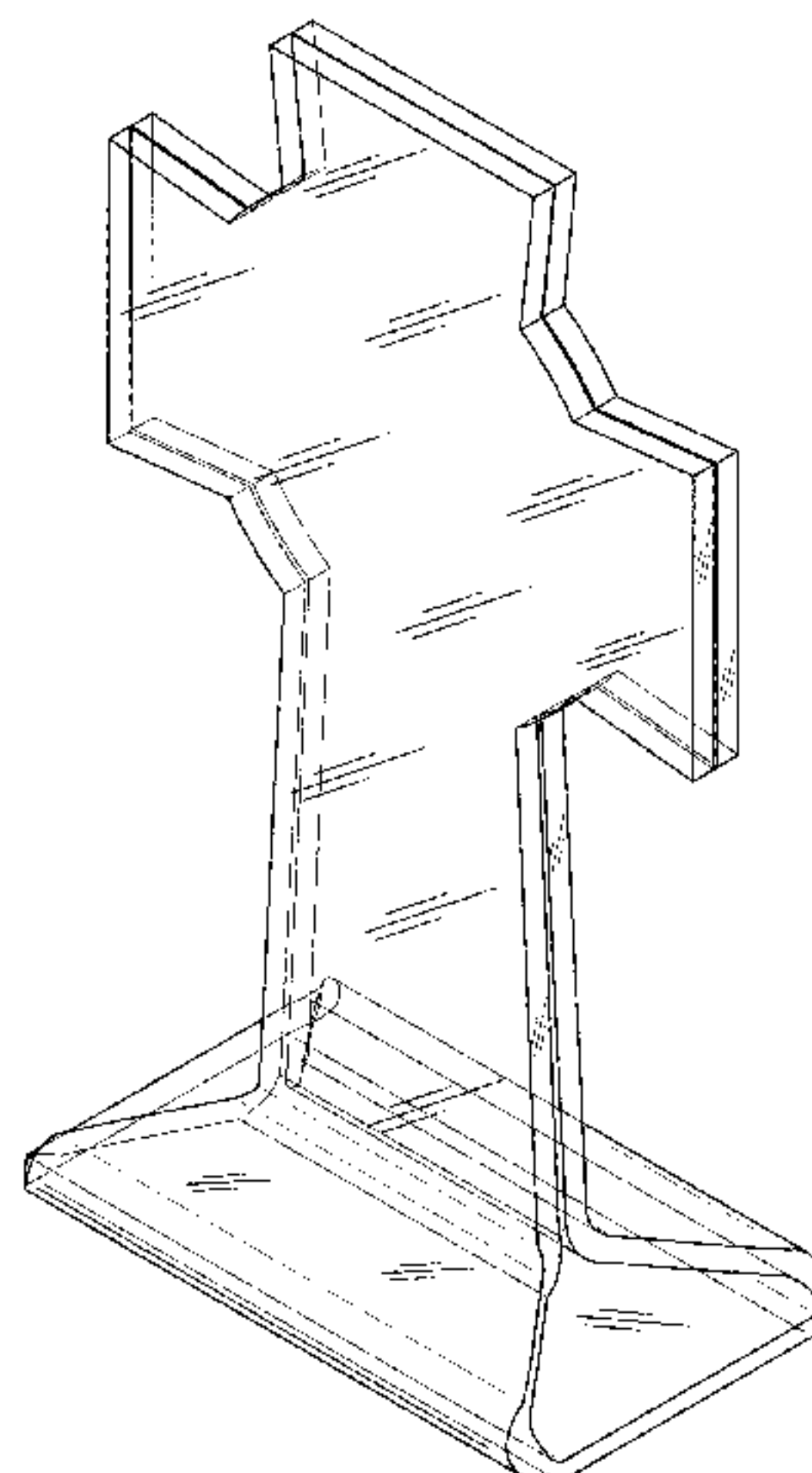
FIG. 21 is a front view thereof, with the rear view being identical;

FIG. 22 is a right side view thereof, with the left side view being identical;

FIG. 23 is a top view thereof; and,

FIG. 24 is a bottom view thereof.

(Continued)



The dot-dash lines are shown for the purpose of isolating the part of the article that embodies the claimed design and form no part of the claimed design.

1 Claim, 20 Drawing Sheets

(58) **Field of Classification Search**

CPC A47F 3/00; A47F 5/00; A47G 33/00;
A47G 33/002; A47G 33/004; A47G
33/008; A47G 33/02; F16B 12/12; F16B
12/14

See application file for complete search history.

(56) **References Cited**

U.S. PATENT DOCUMENTS

D160,900	S	*	11/1950	Suhren et al.	D11/122
D168,686	S	*	1/1953	Hunter et al.	D6/515
D256,398	S	*	8/1980	Mitchell	D99/25
D277,196	S	*	1/1985	Eason	D20/15
D284,777	S	*	7/1986	Anthony	D19/91
D296,843	S	*	7/1988	Jessop	D6/314
D313,050	S	*	12/1990	Burgess	D20/40
D320,622	S	*	10/1991	Yasika	D20/18
D323,679	S	*	2/1992	Burgess	D20/40
D328,925	S	*	8/1992	Levin	D20/41
D333,163	S	*	2/1993	Mendelsohn	D20/40
D333,682	S	*	3/1993	Burgess	D20/40
D338,315	S	*	8/1993	Larson	428/3
D343,076	S	*	1/1994	Cadman	D7/619.1
D344,981	S	*	3/1994	Noreika	D20/40
D363,088	S	*	10/1995	Noreika	D19/90
D390,883	S	*	2/1998	Watkins	D20/15
D412,074	S	*	7/1999	DeWitt	D6/672
D424,330	S	*	5/2000	DeWitt	D6/672
D426,582	S	*	6/2000	Noreika	D19/90
D442,993	S	*	5/2001	Eisen	D19/73

D443,970	S	*	6/2001	Stucker	D99/23
D518,939	S	*	4/2006	Borgerding	D99/25
D578,275	S	*	10/2008	Shantz	D99/17
D618,135	S	*	6/2010	Horst	D11/157
D619,926	S	*	7/2010	Letney	D11/157
D653,166	S	*	1/2012	Dunn	D11/184
D653,988	S	*	2/2012	Hayden	D11/96
D654,828	S	*	2/2012	Piric	D11/157
D658,908	S	*	5/2012	Kroll	D6/674
D659,430	S	*	5/2012	Kroll	D6/674
D659,431	S	*	5/2012	Kroll	D6/674
D659,432	S	*	5/2012	Kroll	D6/674
D666,120	S	*	8/2012	Austin	D11/120
D671,770	S	*	12/2012	Kroll	D6/674
D672,383	S	*	12/2012	Tan	D16/237
D678,118	S	*	3/2013	Cadigan	D11/96
D679,624	S	*	4/2013	Robbins	D11/96
D685,675	S	*	7/2013	Dubow	D11/157
D688,594	S	*	8/2013	Dunn	D11/184
D710,706	S	*	8/2014	Tussy	D9/600
RE45,427	E	*	3/2015	Kroll	D6/300
RE45,428	E	*	3/2015	Kroll	D6/300
RE45,546	E	*	6/2015	Kroll	D6/674
RE45,560	E	*	6/2015	Kroll	D6/300
RE45,622	E	*	7/2015	Kroll	D6/300
D745,793	S	*	12/2015	Kroll	D20/29
D746,086	S	*	12/2015	Kroll	D20/29
D751,790	S	*	3/2016	Voss	D99/27
D752,367	S	*	3/2016	Kroll	D20/29
D752,368	S	*	3/2016	Kroll	D20/29
D756,590	S	*	5/2016	Bialecki	D99/27
D757,466	S	*	5/2016	Kroll	D20/29

OTHER PUBLICATIONS

Galway Celtic Crystal Cross: Announced May 8, 2012 [online] site visited [Sep. 14, 2015]. Available from internet URL: http://religmuseum.com/unt/38994-galway_celtic_crystal_cross_ornament_made_in_ireland_crystal_sticker.html.

* cited by examiner

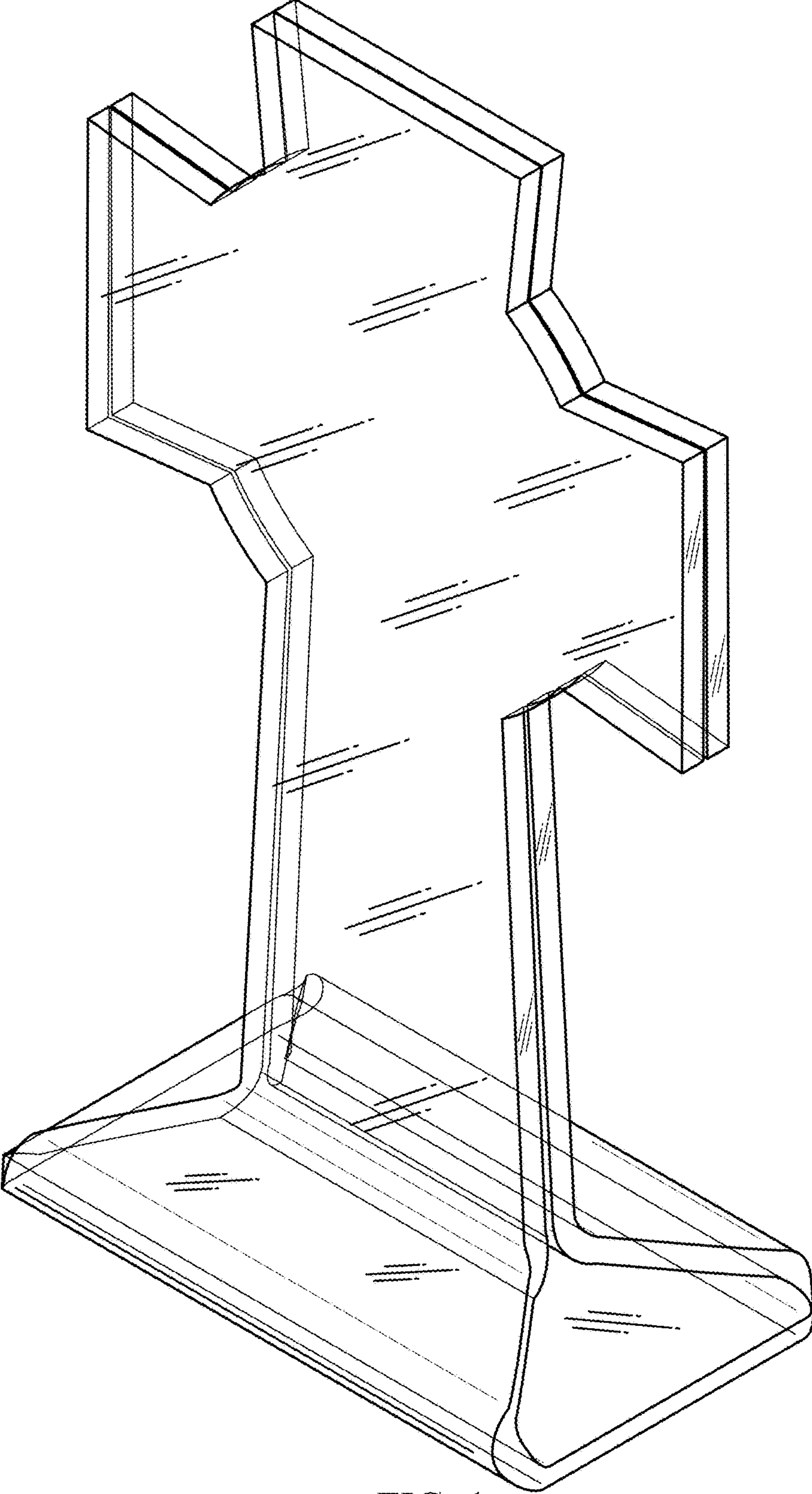


FIG. 1

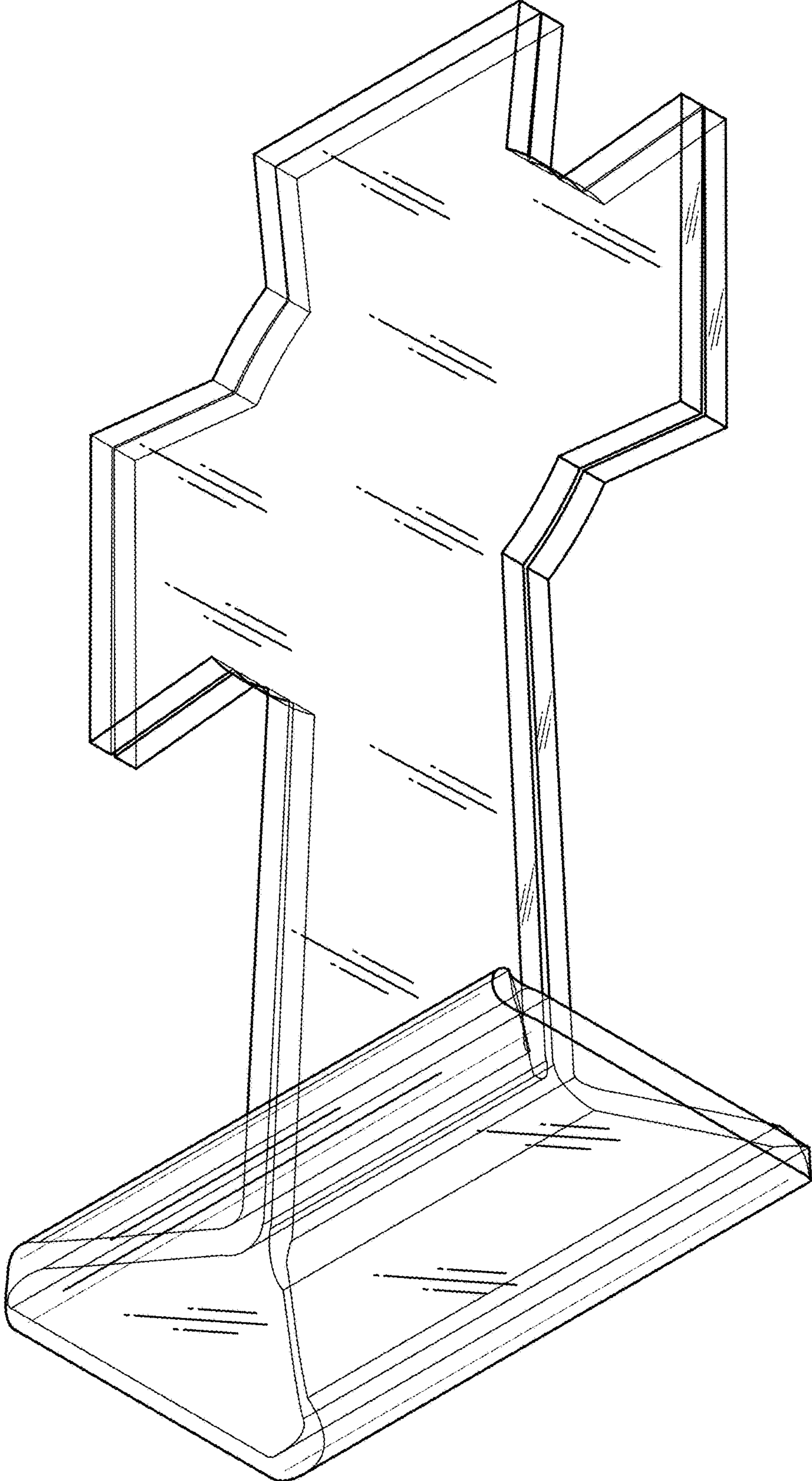


FIG. 2

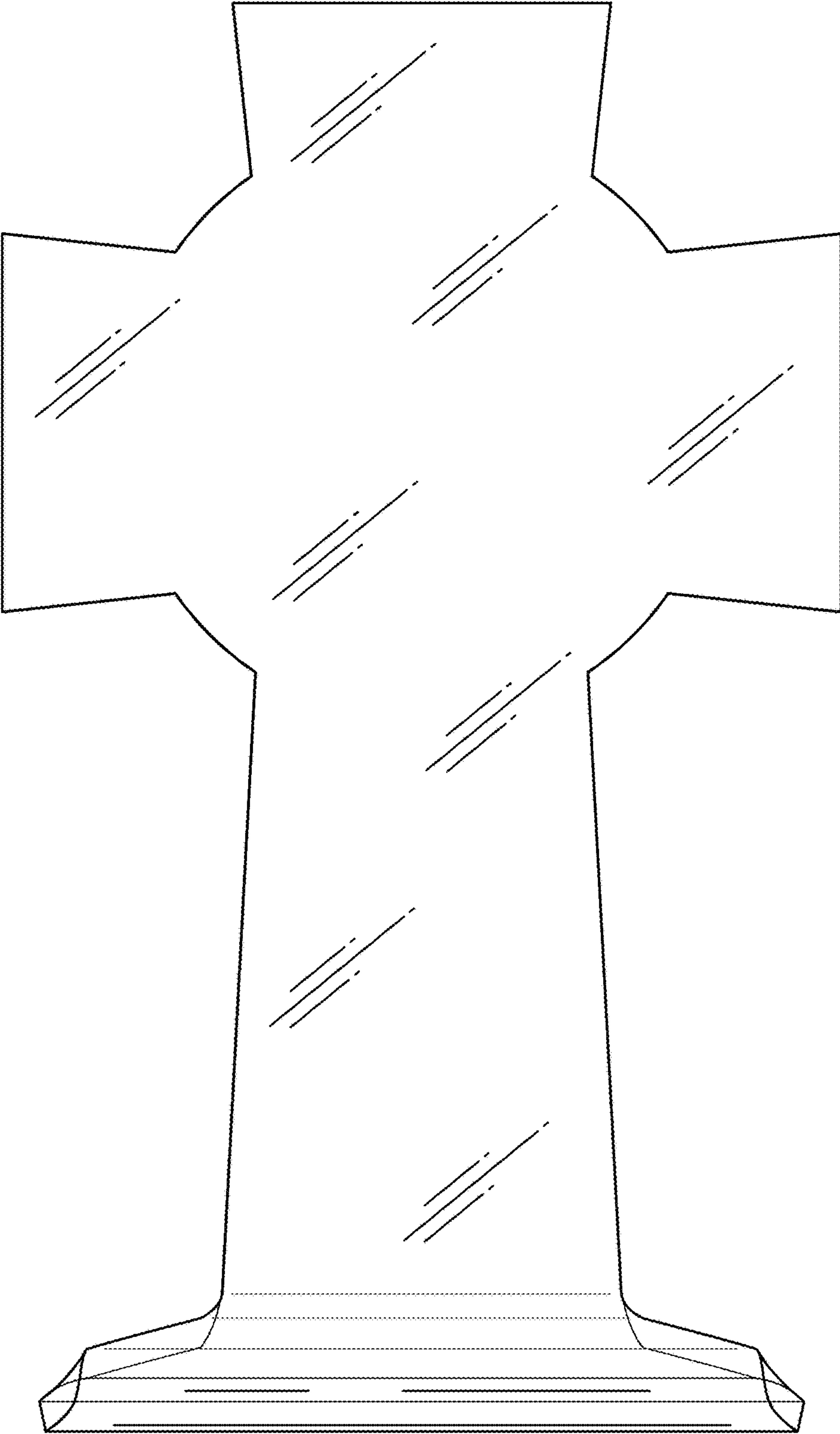


FIG. 3

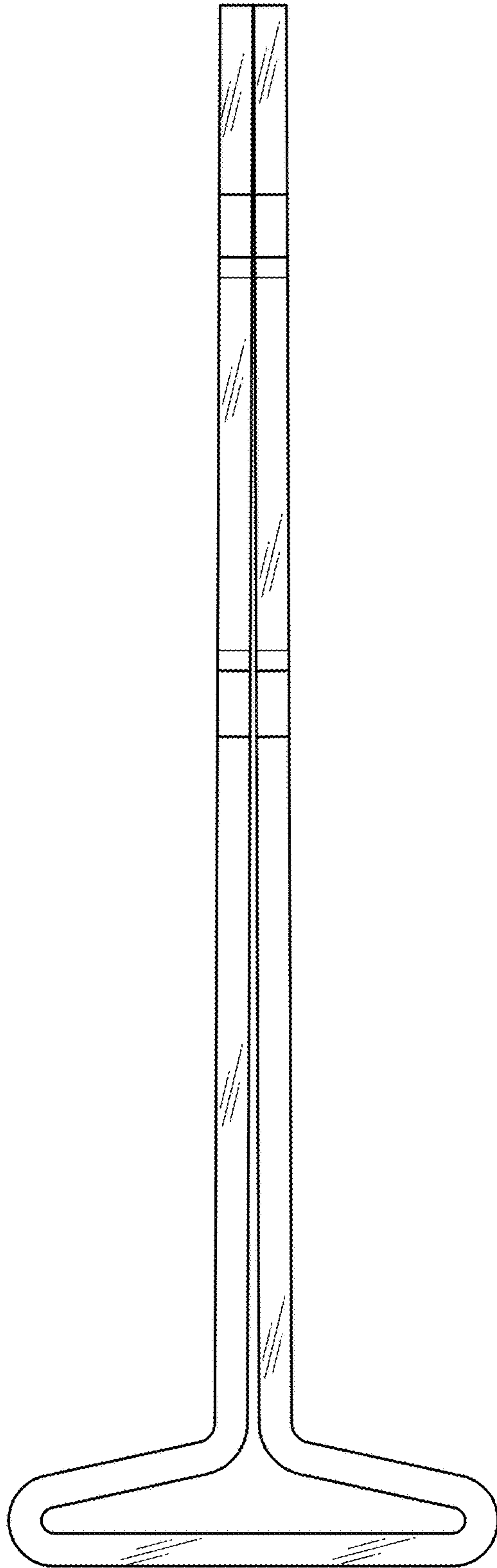


FIG. 4

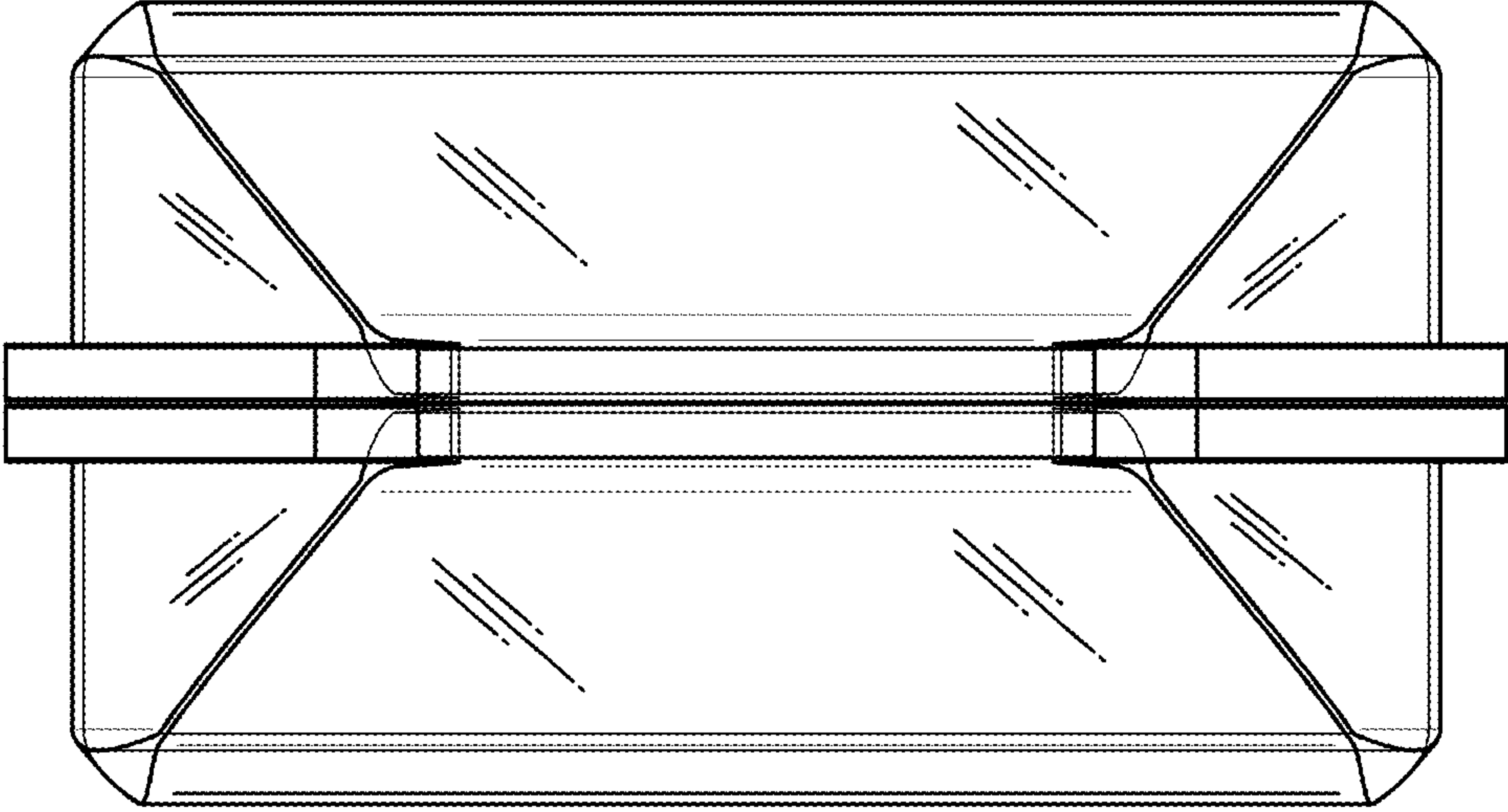


FIG. 5

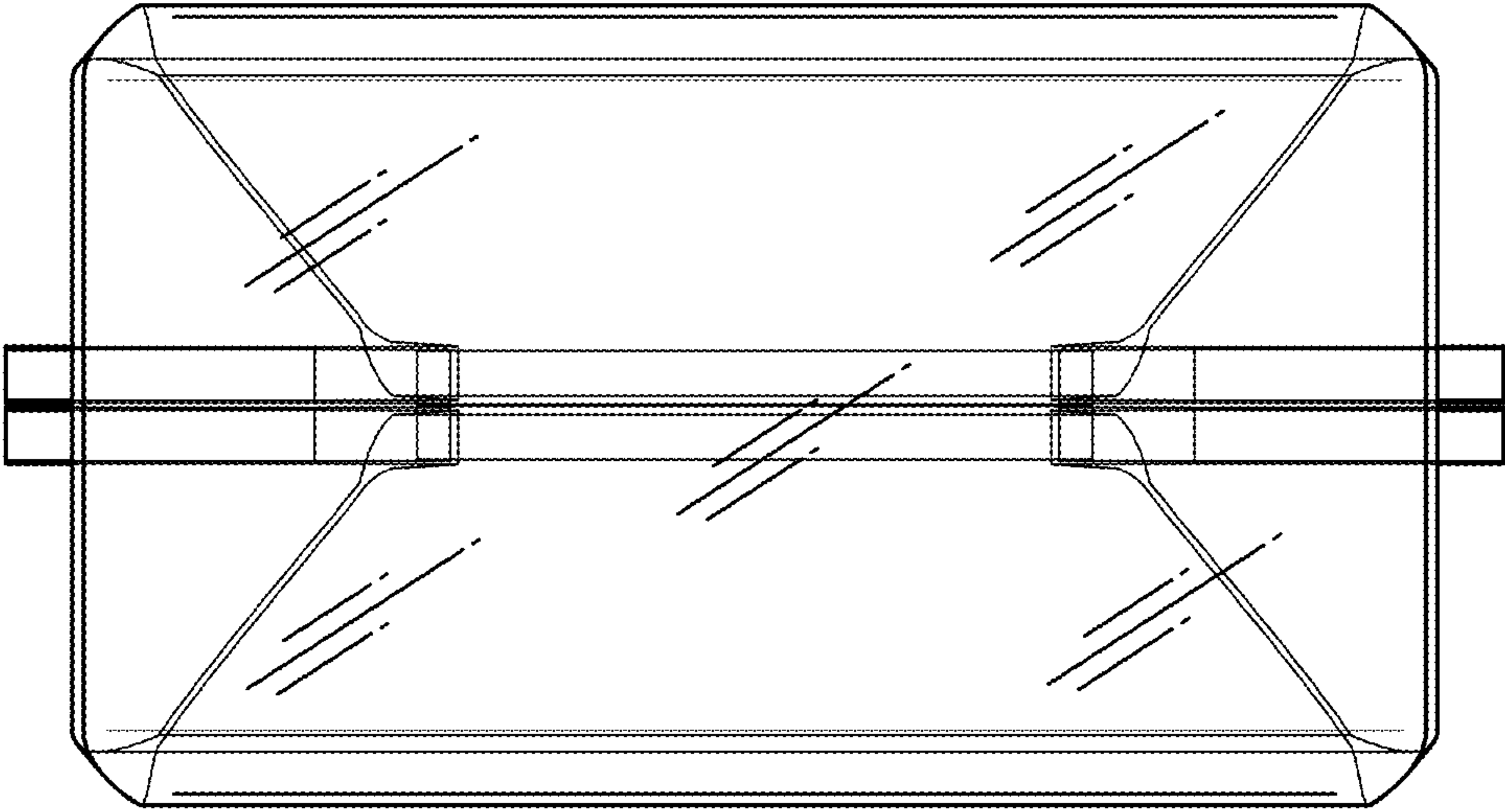


FIG. 6

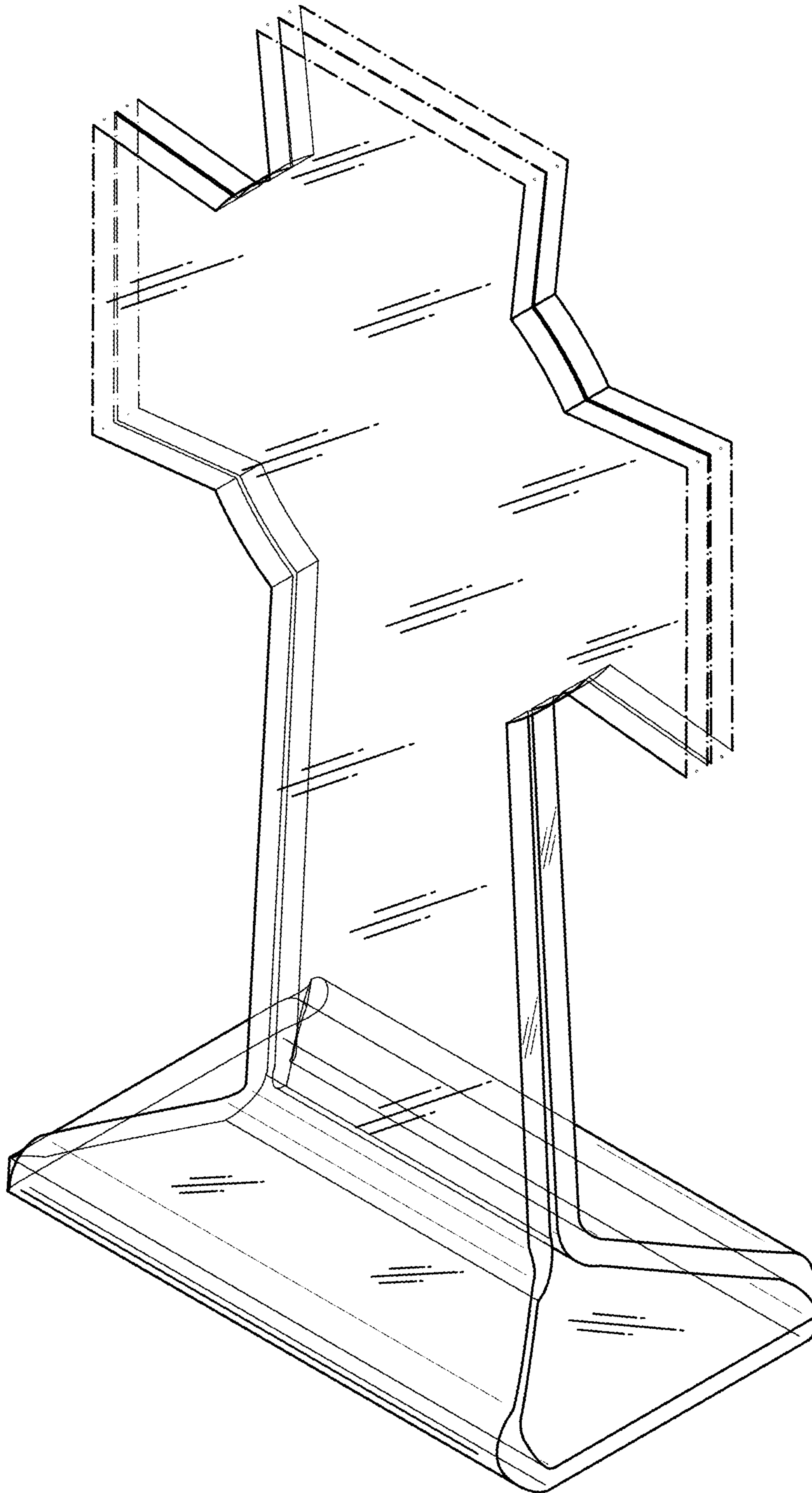


FIG. 7

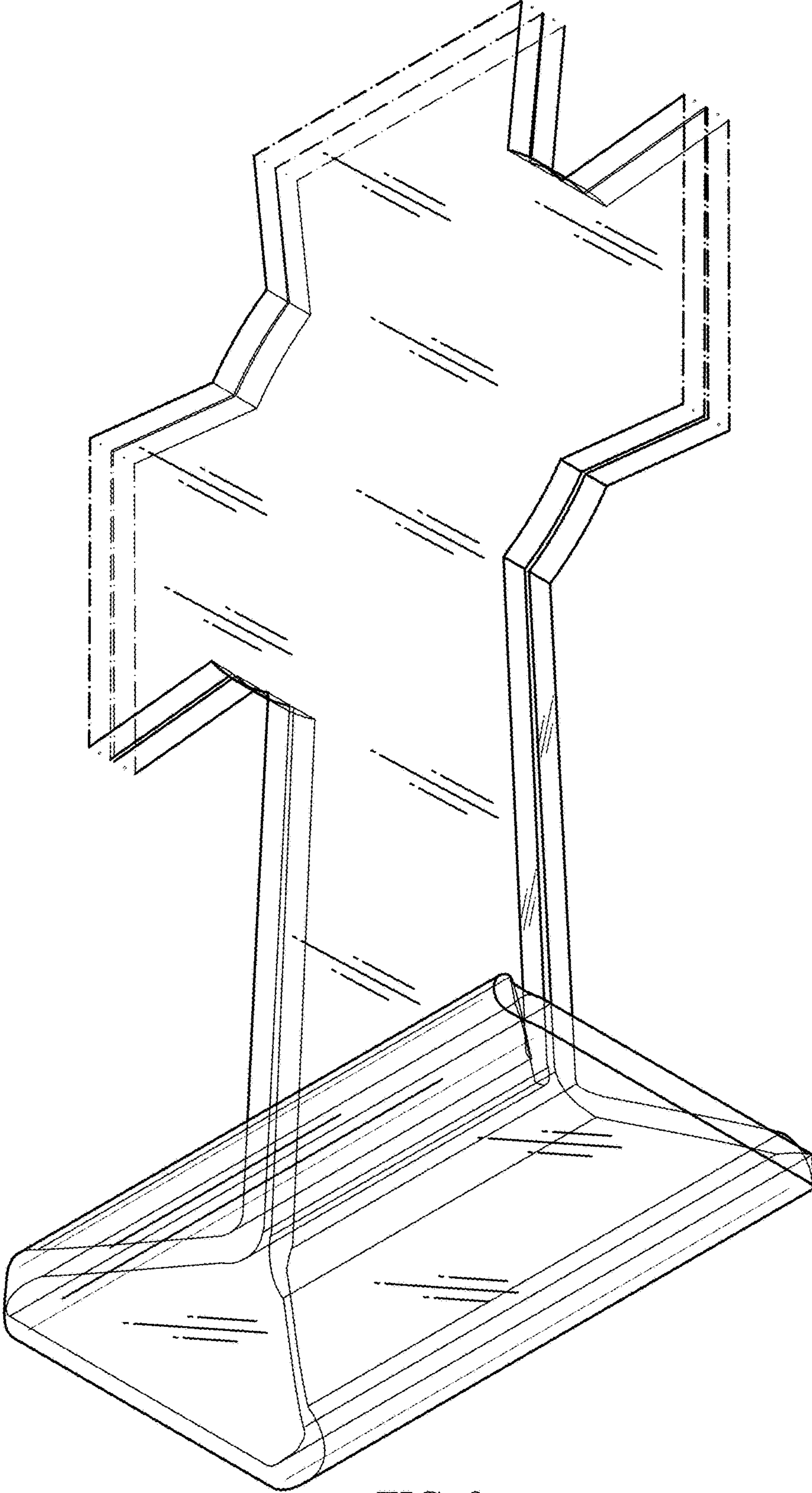


FIG. 8

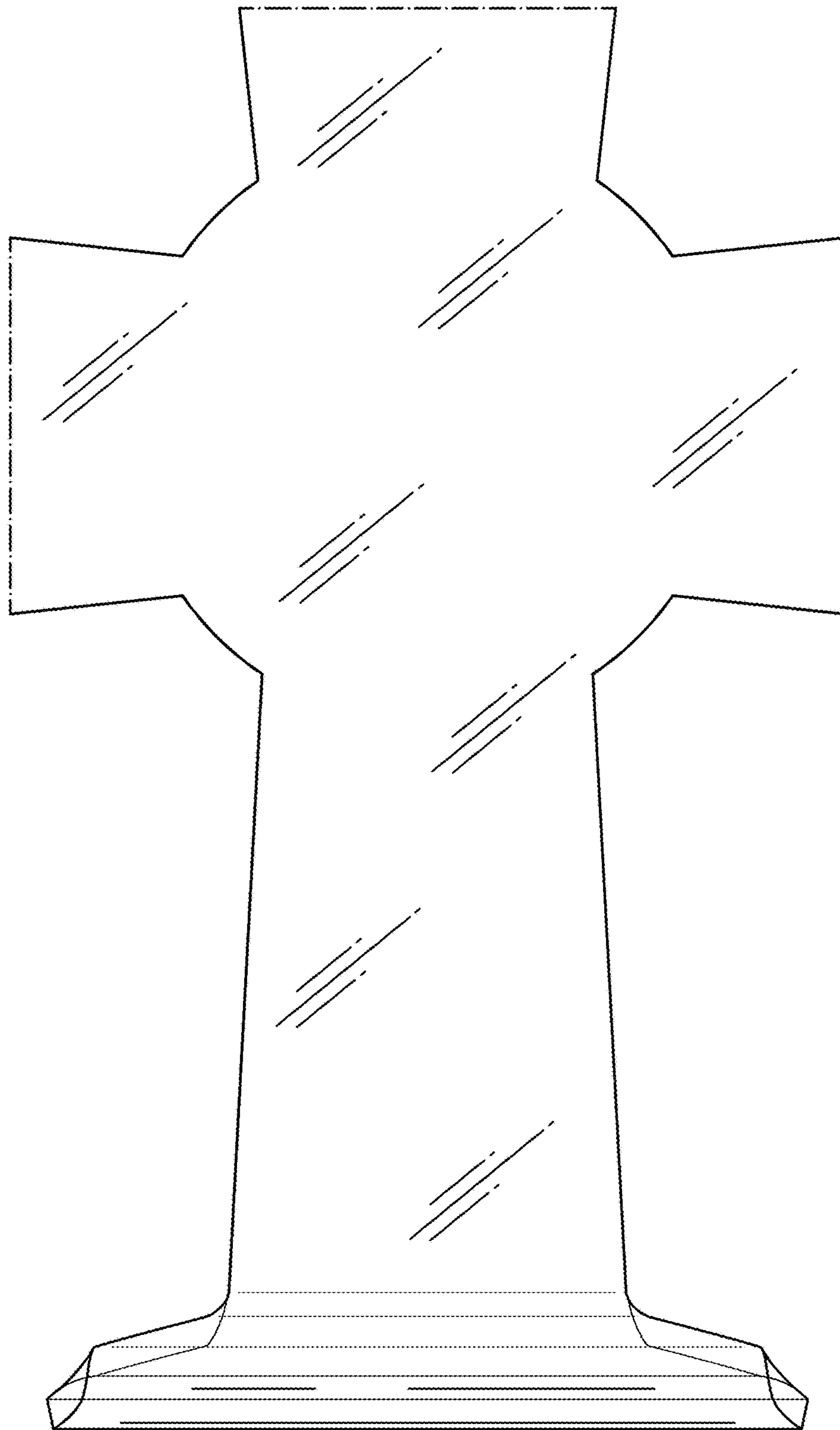


FIG. 9

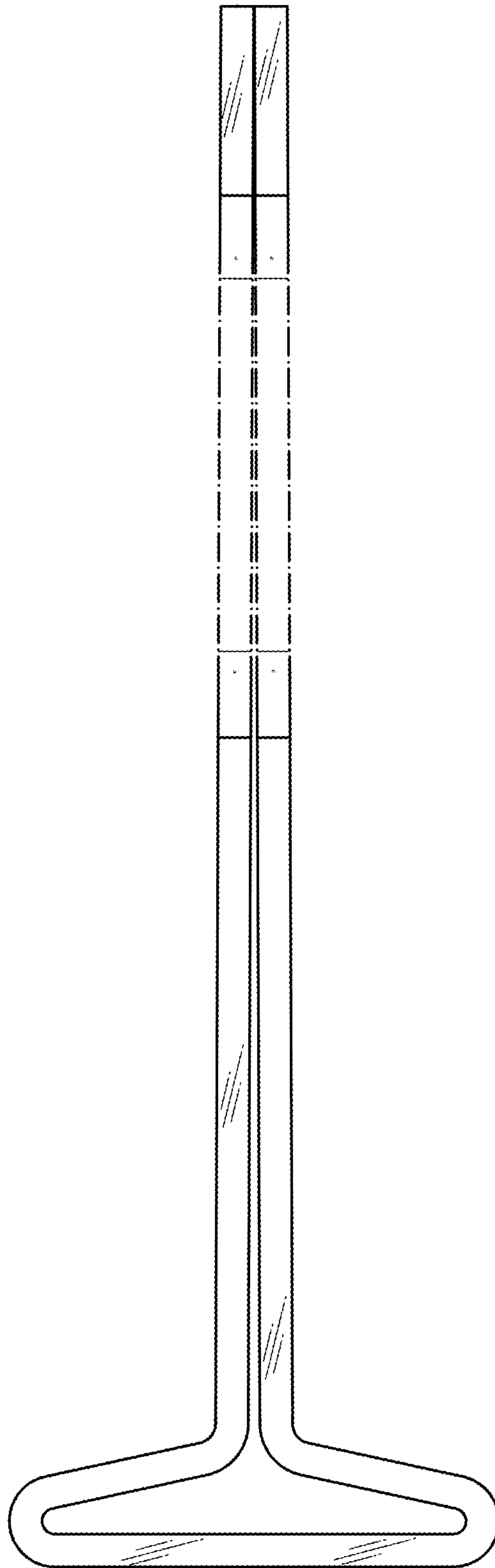


FIG. 10

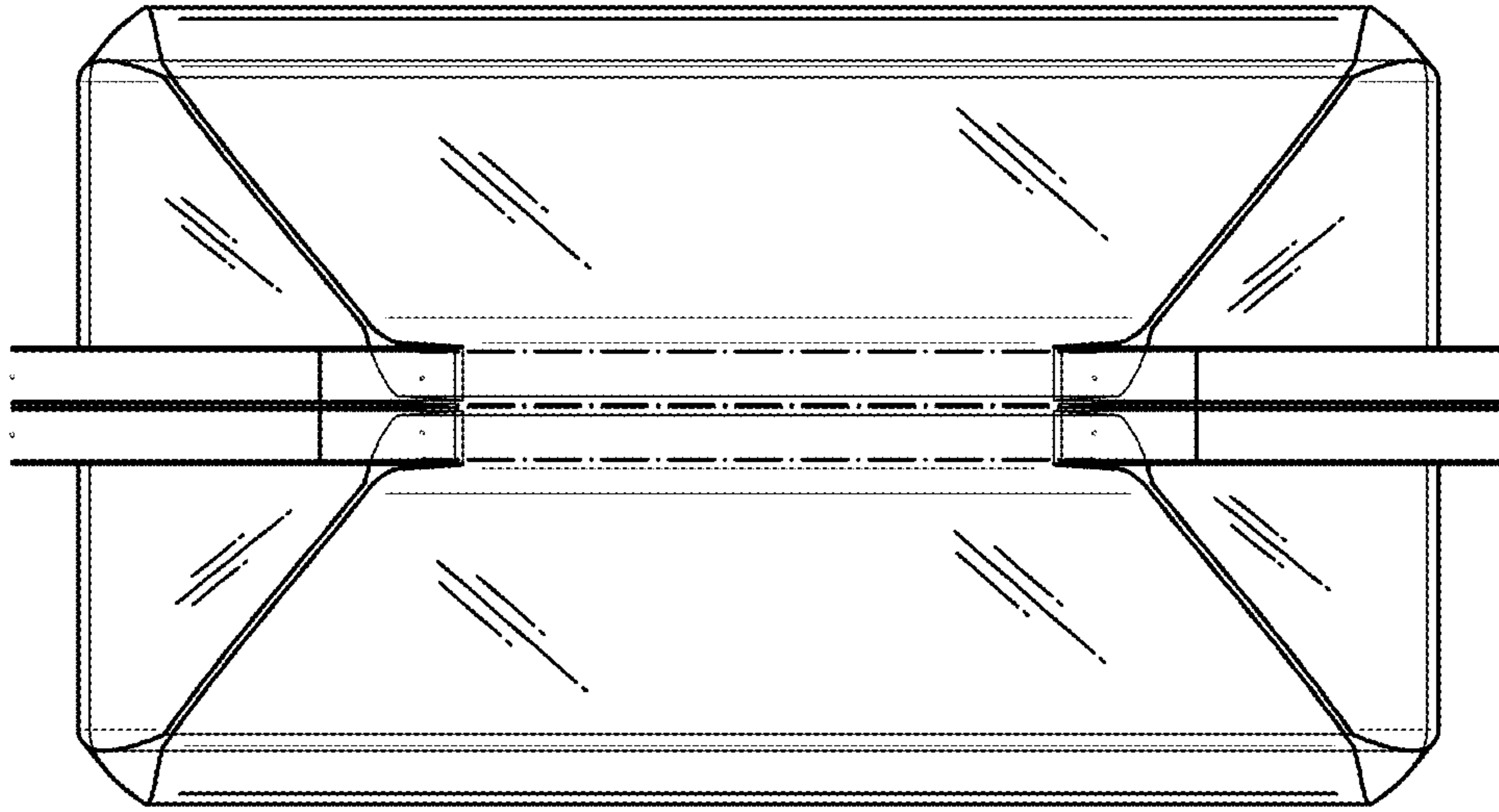


FIG. 11

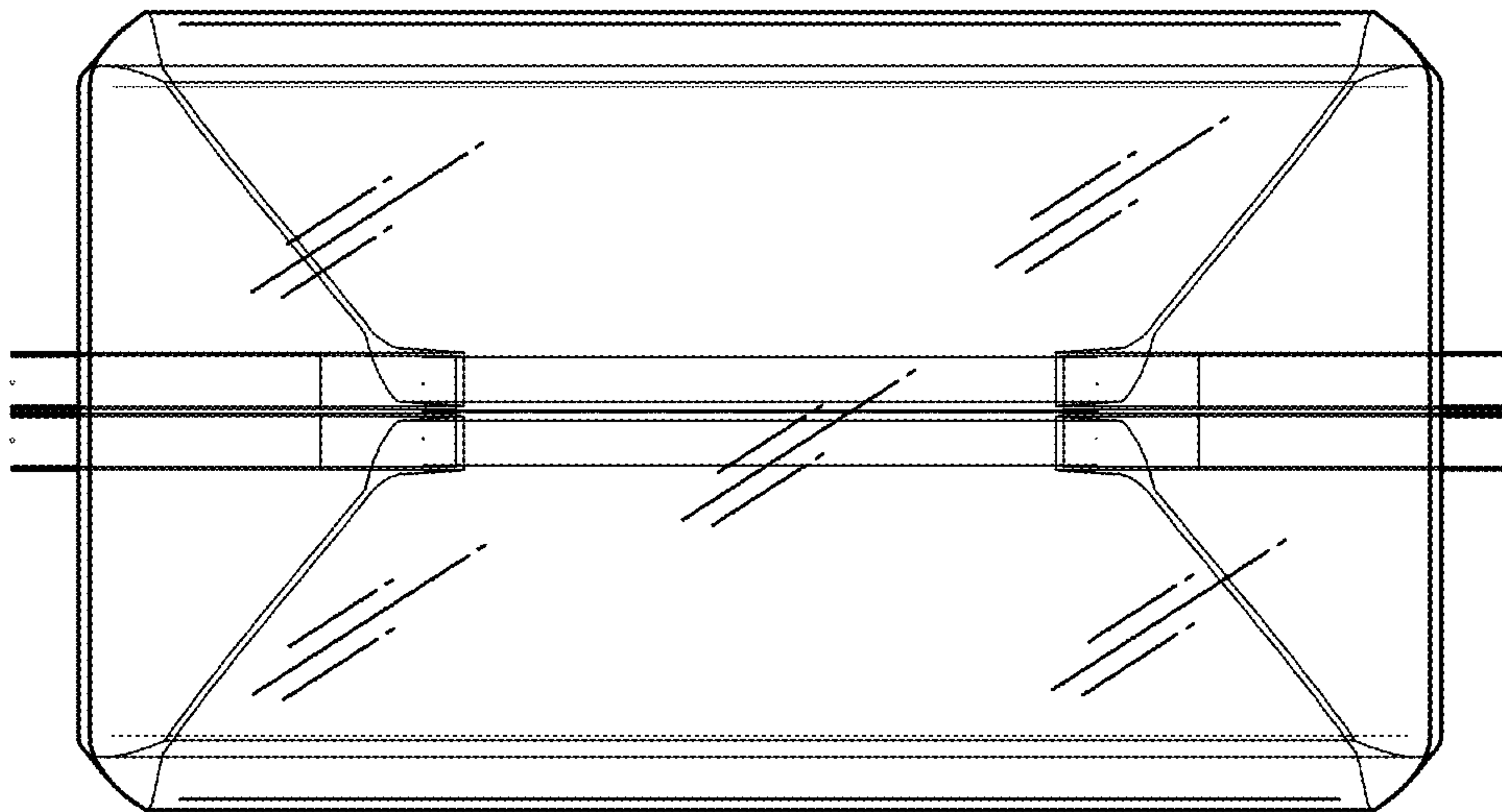


FIG. 12

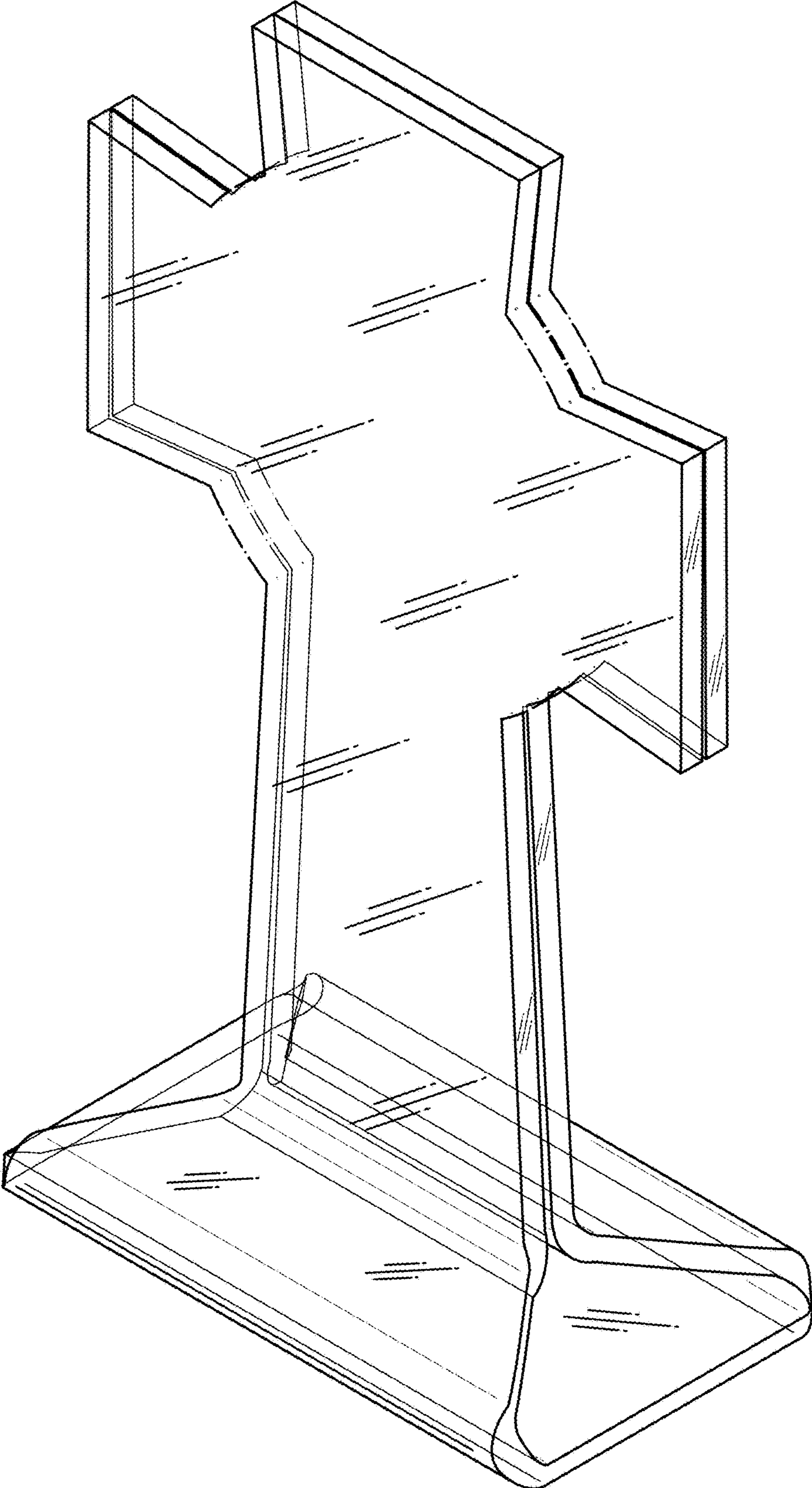


FIG. 13

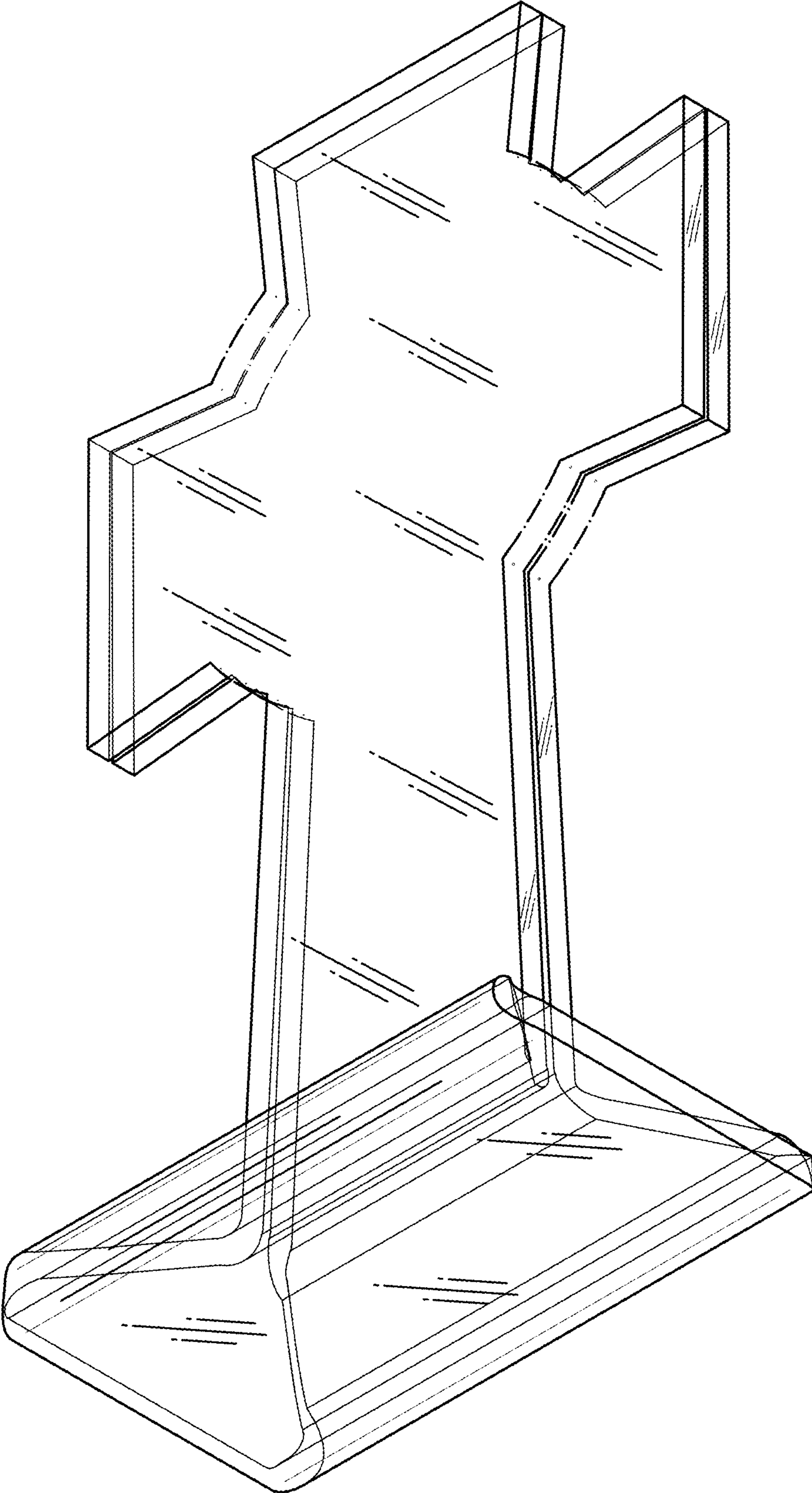


FIG. 14

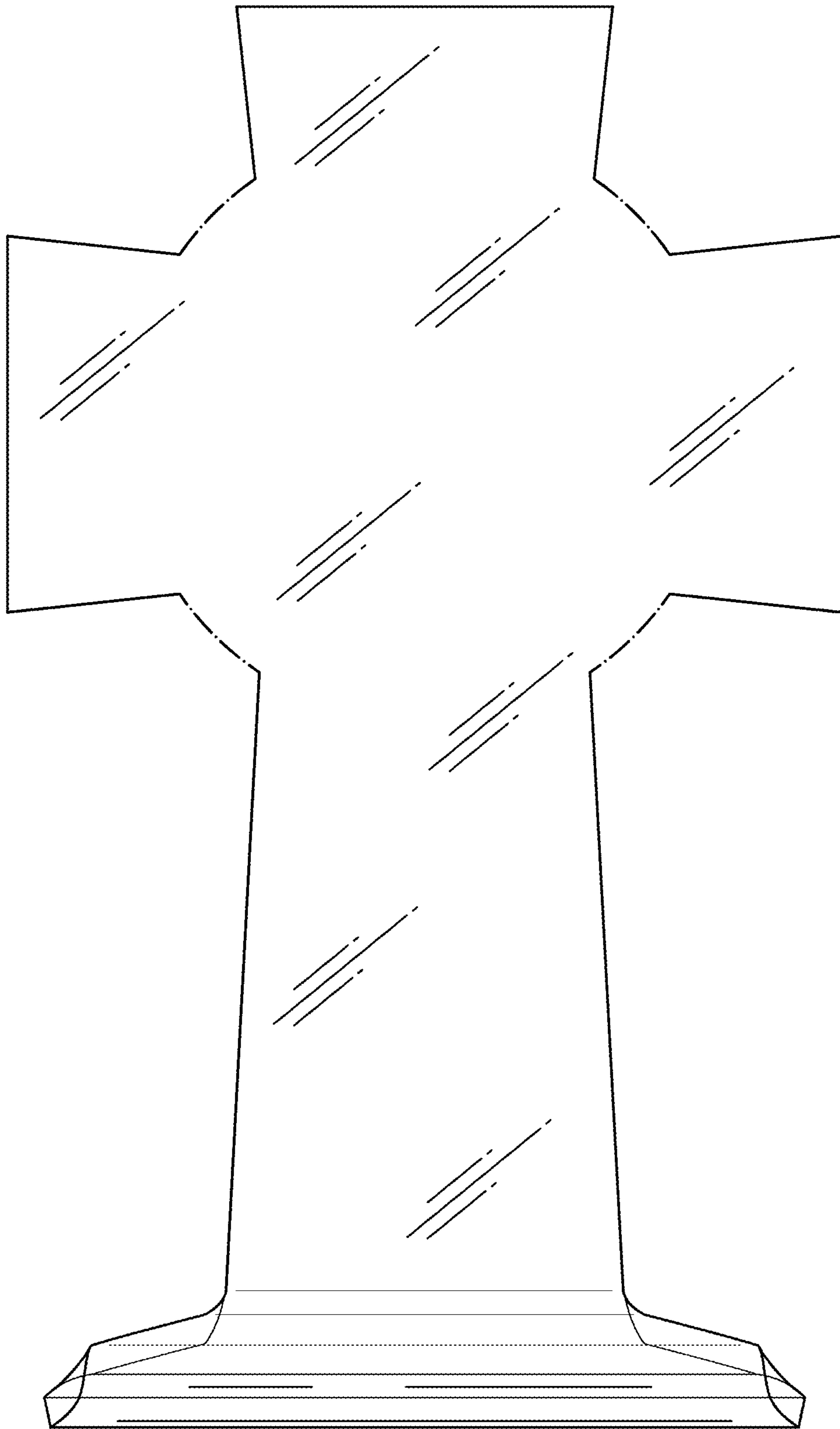


FIG. 15

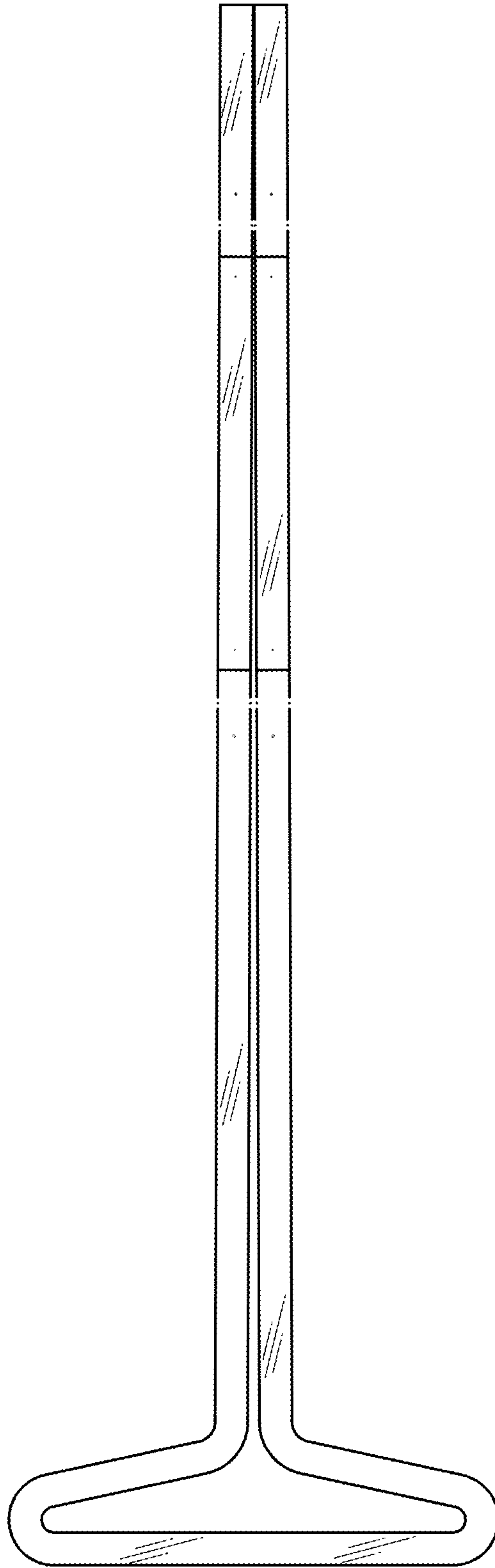


FIG. 16

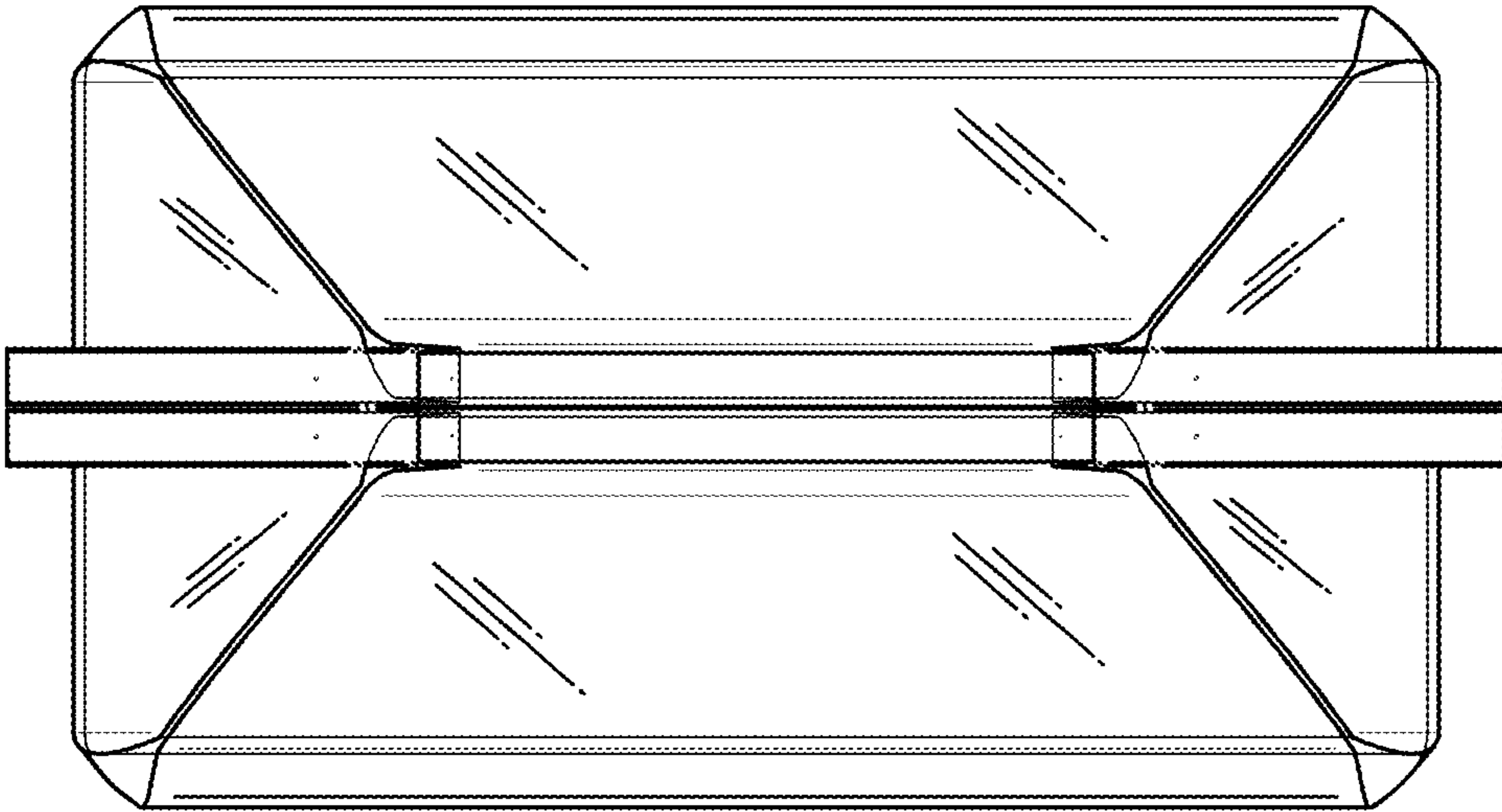


FIG. 17

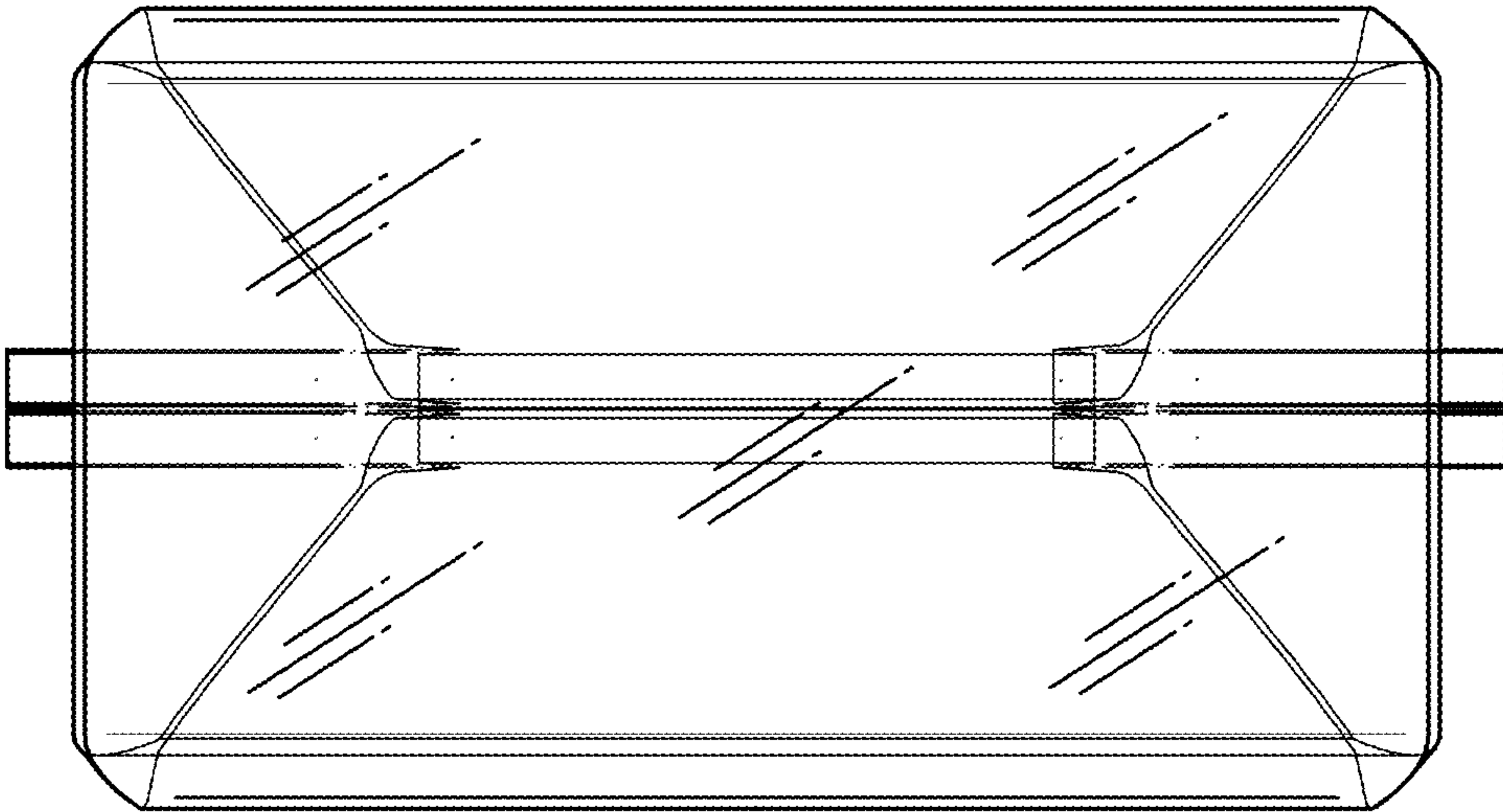


FIG. 18

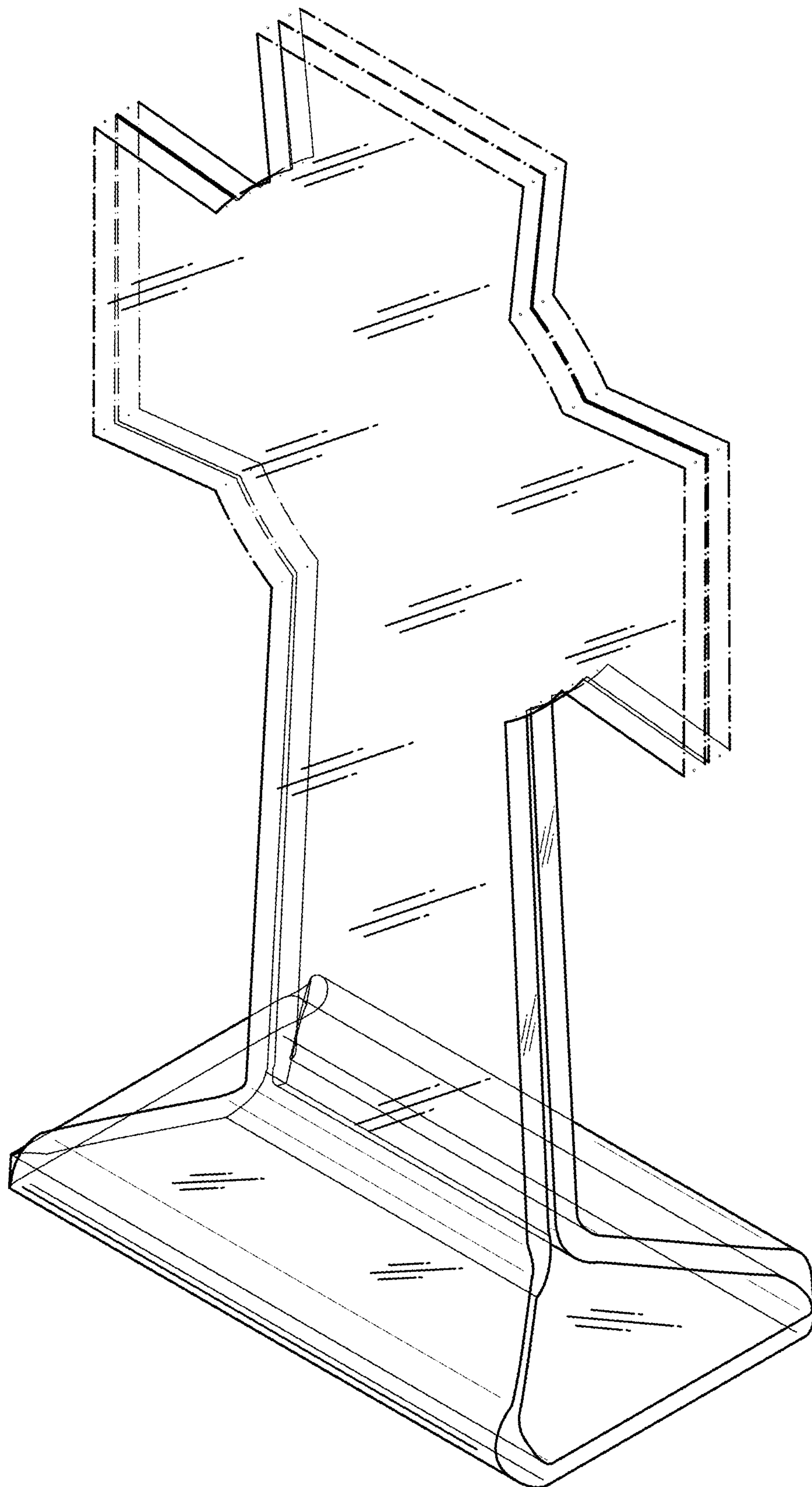


FIG. 19

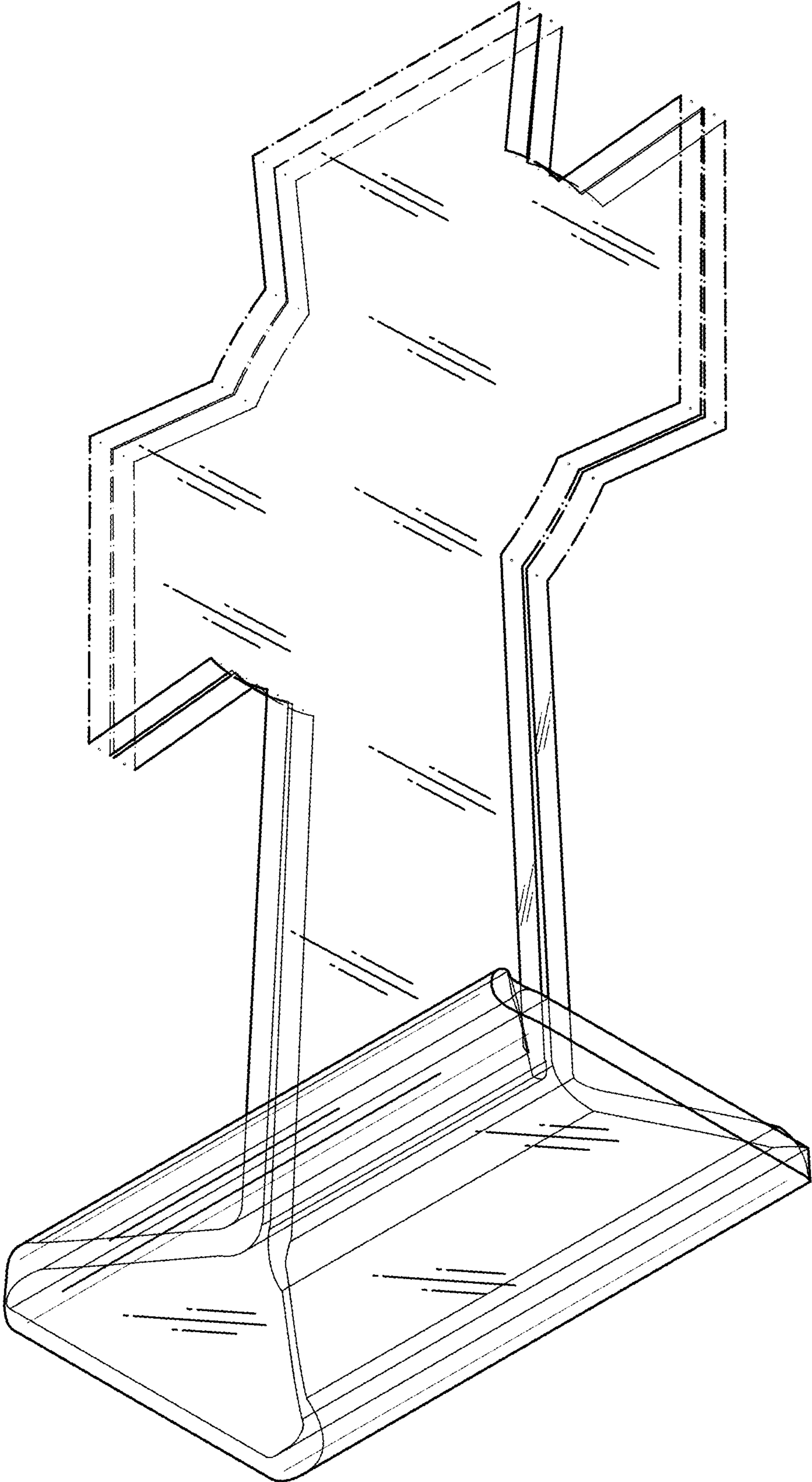


FIG. 20

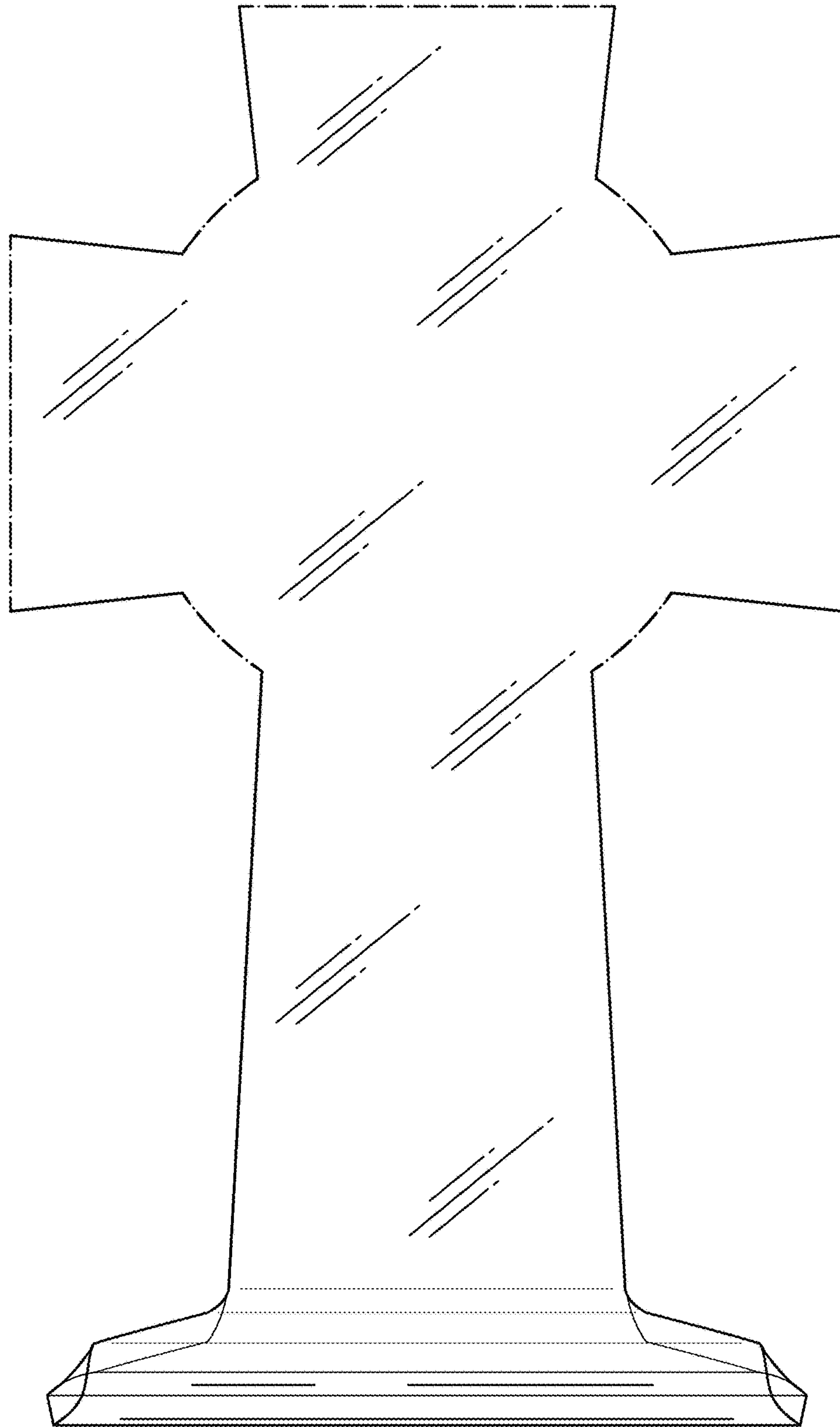


FIG. 21

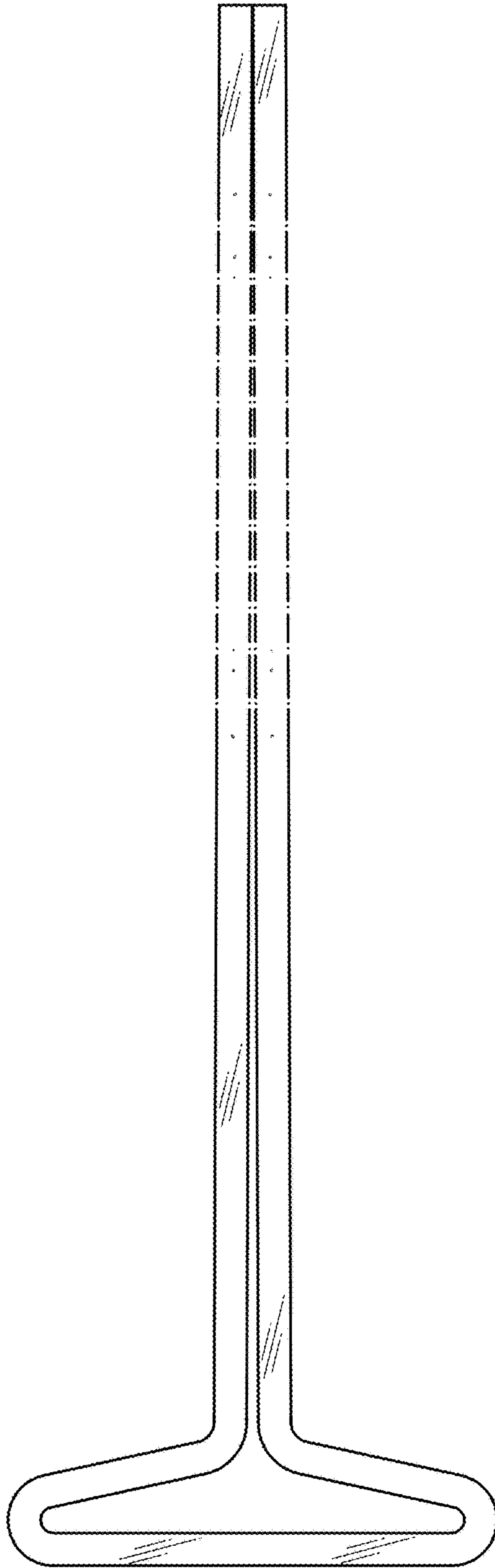


FIG. 22

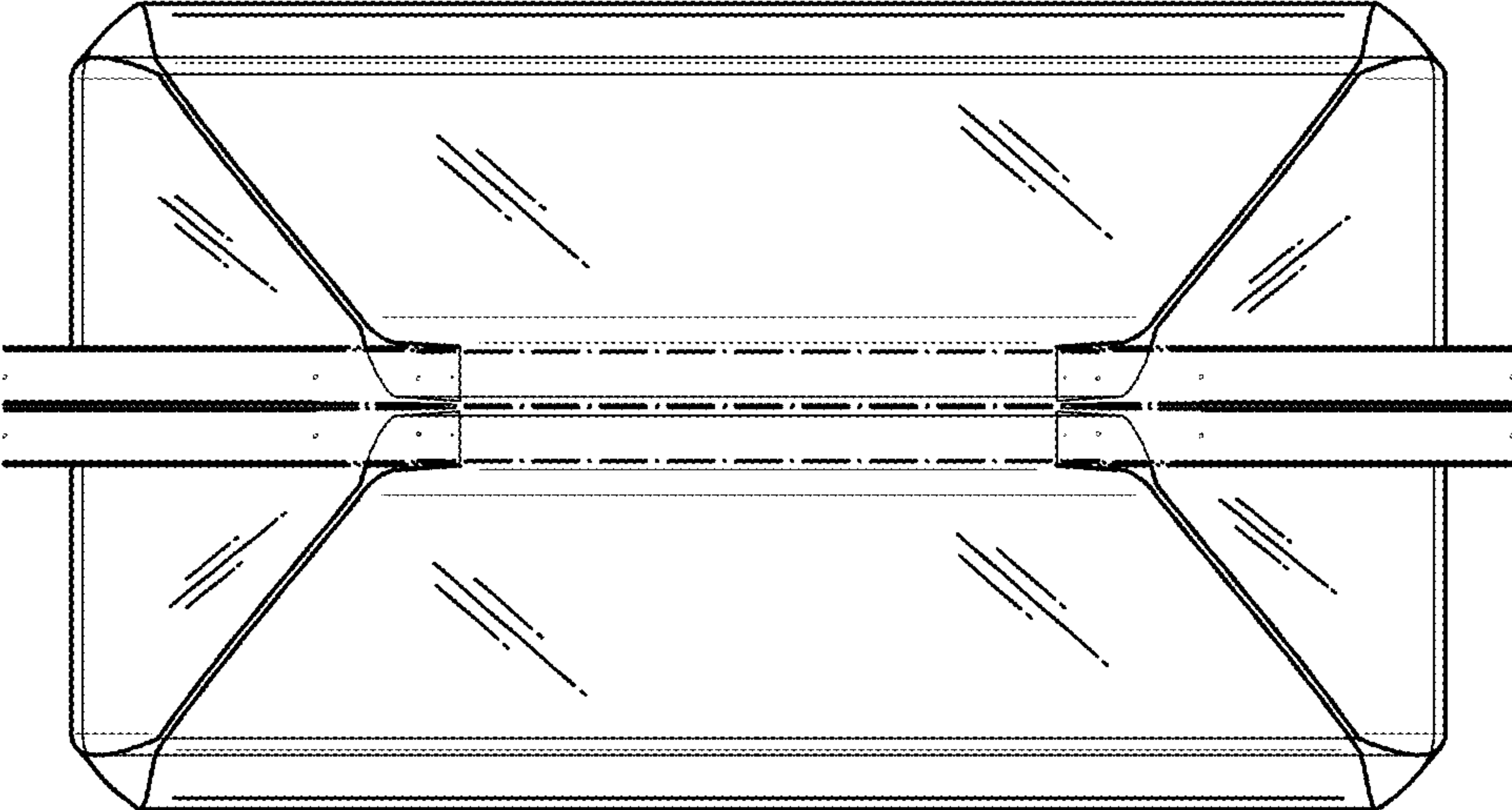


FIG. 23

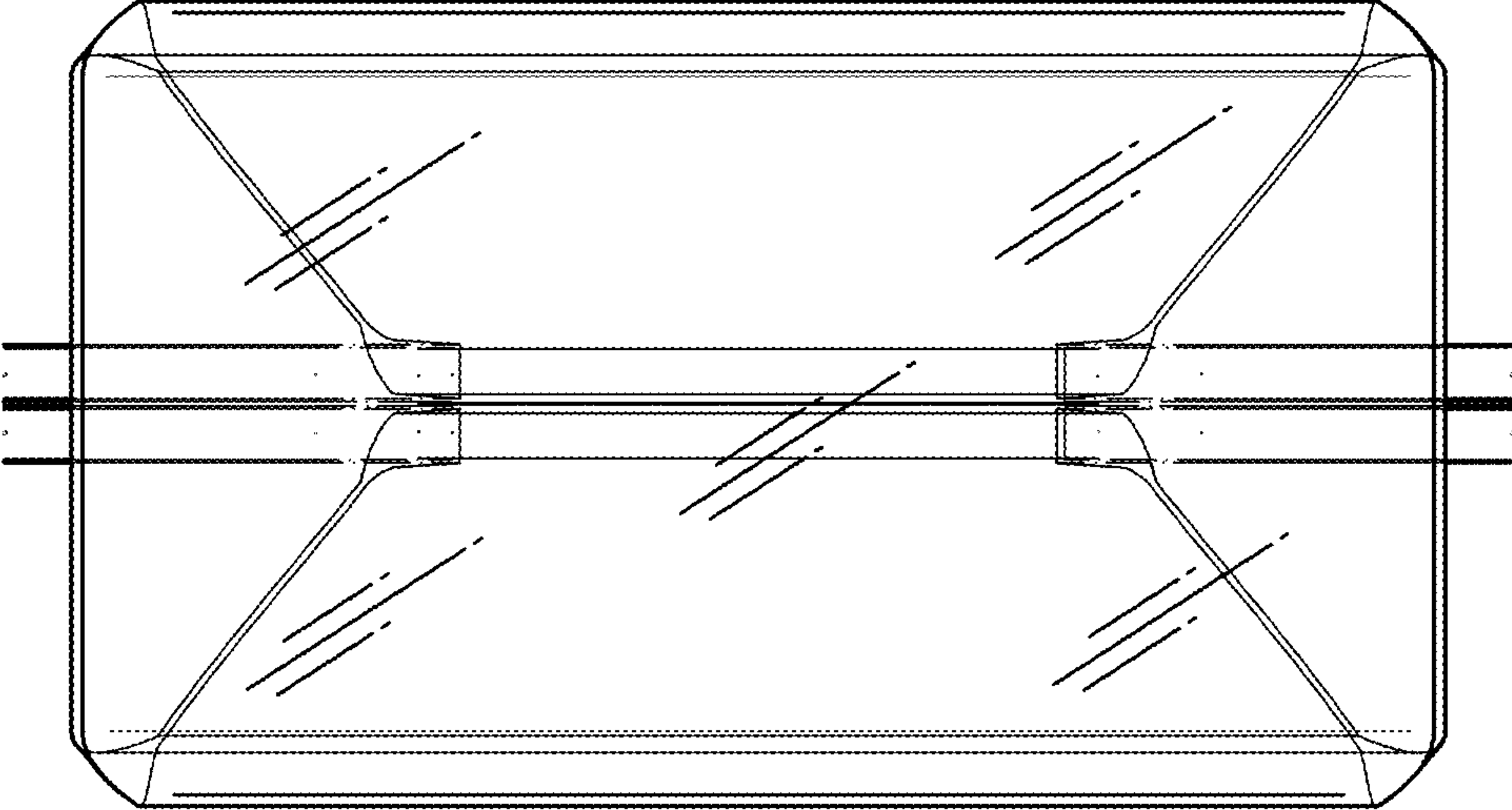


FIG. 24