



US00D775865S

(12) **United States Design Patent** (10) **Patent No.:** **US D775,865 S**  
**Bouroullec et al.** (45) **Date of Patent:** **\*\* Jan. 10, 2017**

- (54) **OFFICE CABIN**
- (71) Applicant: **Vitra Patente AG**, MuttENZ (CH)
- (72) Inventors: **Erwan Bouroullec**, Paris (FR); **Ronan Bouroullec**, Paris (FR)
- (73) Assignee: **Vitra Patente AG**, MuttENZ (CH)
- (\*\*) Term: **15 Years**
- (21) Appl. No.: **29/530,214**
- (22) Filed: **Jun. 15, 2015**

D286,956 S *	12/1986	Lockwood .....	D25/16
D304,529 S *	11/1989	Hontz .....	D6/332
D376,278 S *	12/1996	Zivari .....	D6/643
D538,060 S *	3/2007	Golino .....	D6/643
D540,565 S *	4/2007	Nakamura .....	D6/643
D659,427 S *	5/2012	Nicolas .....	D6/644
D659,428 S *	5/2012	Nicolas .....	D6/644
D720,160 S *	12/2014	Lloyd .....	D6/643
D732,850 S *	6/2015	Bouroullec .....	D6/643
D740,039 S *	10/2015	Bouroullec .....	D6/335
D740,040 S *	10/2015	Bouroullec .....	D6/338
D740,057 S *	10/2015	Bouroullec .....	D6/643.1
D740,058 S *	10/2015	Bouroullec .....	D6/643.1
D758,776 S *	6/2016	McKenna .....	D6/717
D758,777 S *	6/2016	McKenna .....	D6/717
D761,577 S *	7/2016	Agati .....	D6/338

**Related U.S. Application Data**

- (62) Division of application No. 29/469,233, filed on Oct. 8, 2013, now Pat. No. Des. 740,039.
- (51) **LOC (10) Cl.** ..... **06-01**
- (52) **U.S. Cl.**  
USPC ..... **D6/643**
- (58) **Field of Classification Search**  
USPC ..... D6/335, 336, 337, 338, 640, 643, 643.1,  
D6/644, 406.1, 406.2, 406.3, 356, 334,  
D6/381; D12/318, 345; D25/16  
CPC ..... A47C 17/00; A47C 17/02; A47C 17/12;  
A47C 17/18; A47C 7/021; A47C 31/00;  
A47C 3/16  
See application file for complete search history.

\* cited by examiner

*Primary Examiner* — Sandra Snapp  
(74) *Attorney, Agent, or Firm* — McCarter & English, LLP

(57) **CLAIM**

The ornamental design for office cabin, as shown and described.

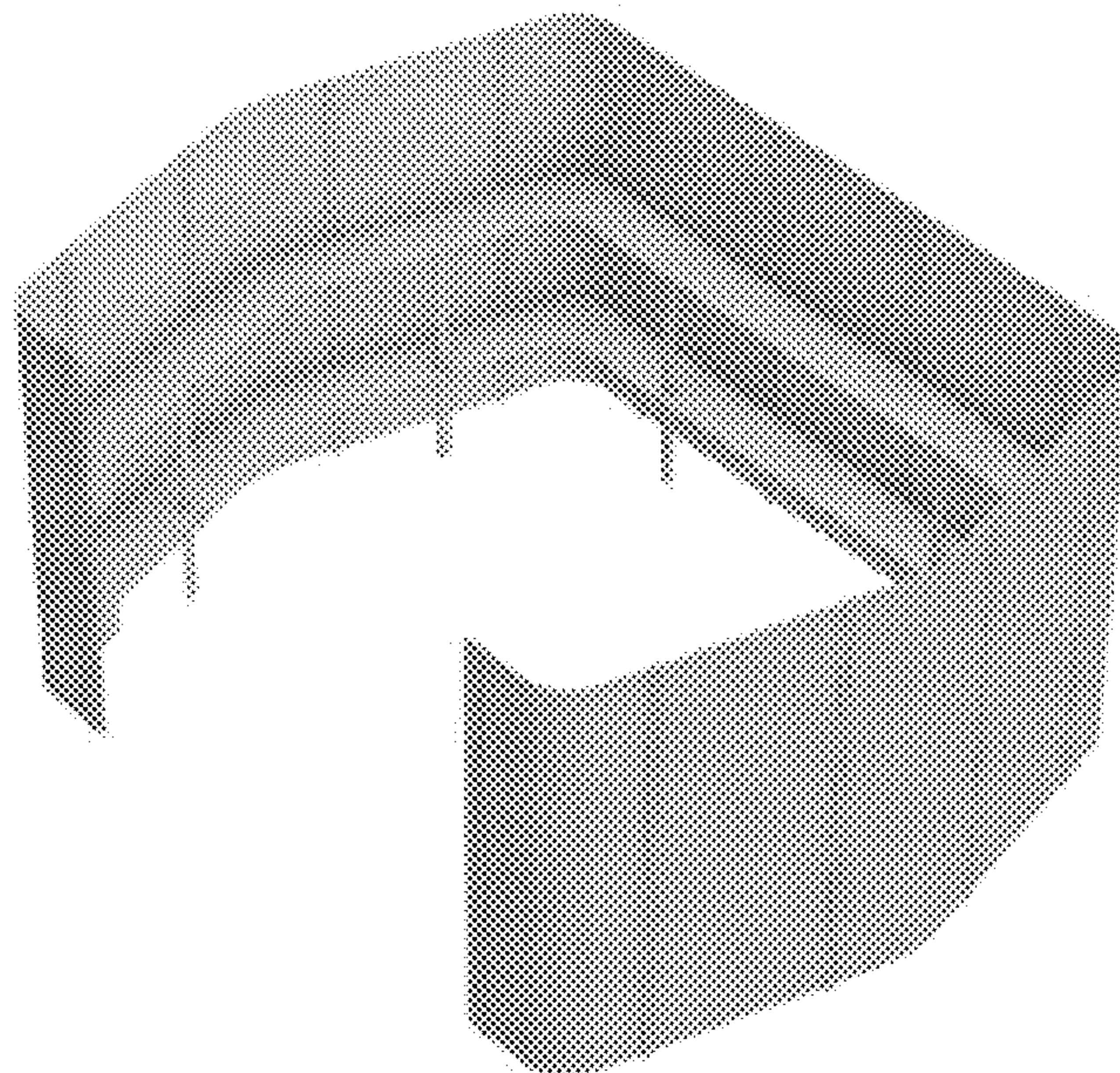
**DESCRIPTION**

FIG. 1 is a front left side perspective view of an office cabin; FIG. 2 shows a front right side perspective view of FIG. 1; FIG. 3 shows a front perspective view of FIG. 1; FIG. 4 shows a front perspective view of FIG. 1; FIG. 5 shows a rear top perspective view of FIG. 1; FIG. 6 shows a rear perspective view of FIG. 1; and, FIG. 7 shows a top plan view of FIG. 1.

(56) **References Cited**  
U.S. PATENT DOCUMENTS

- D148,242 S \* 12/1947 Horsewood ..... D6/336
- D225,871 S \* 1/1973 Crannell ..... D6/643

**1 Claim, 7 Drawing Sheets**





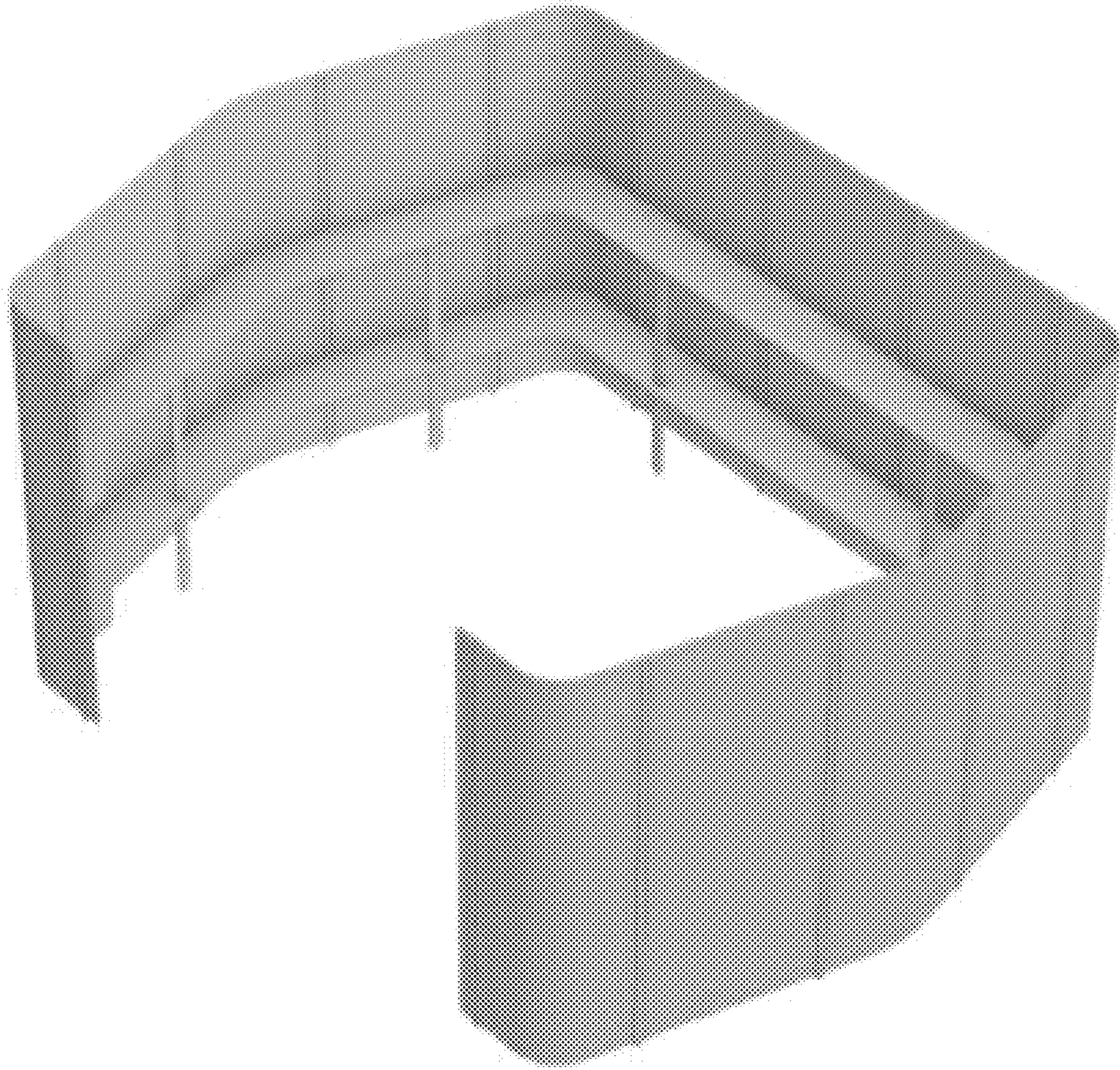


Fig. 1



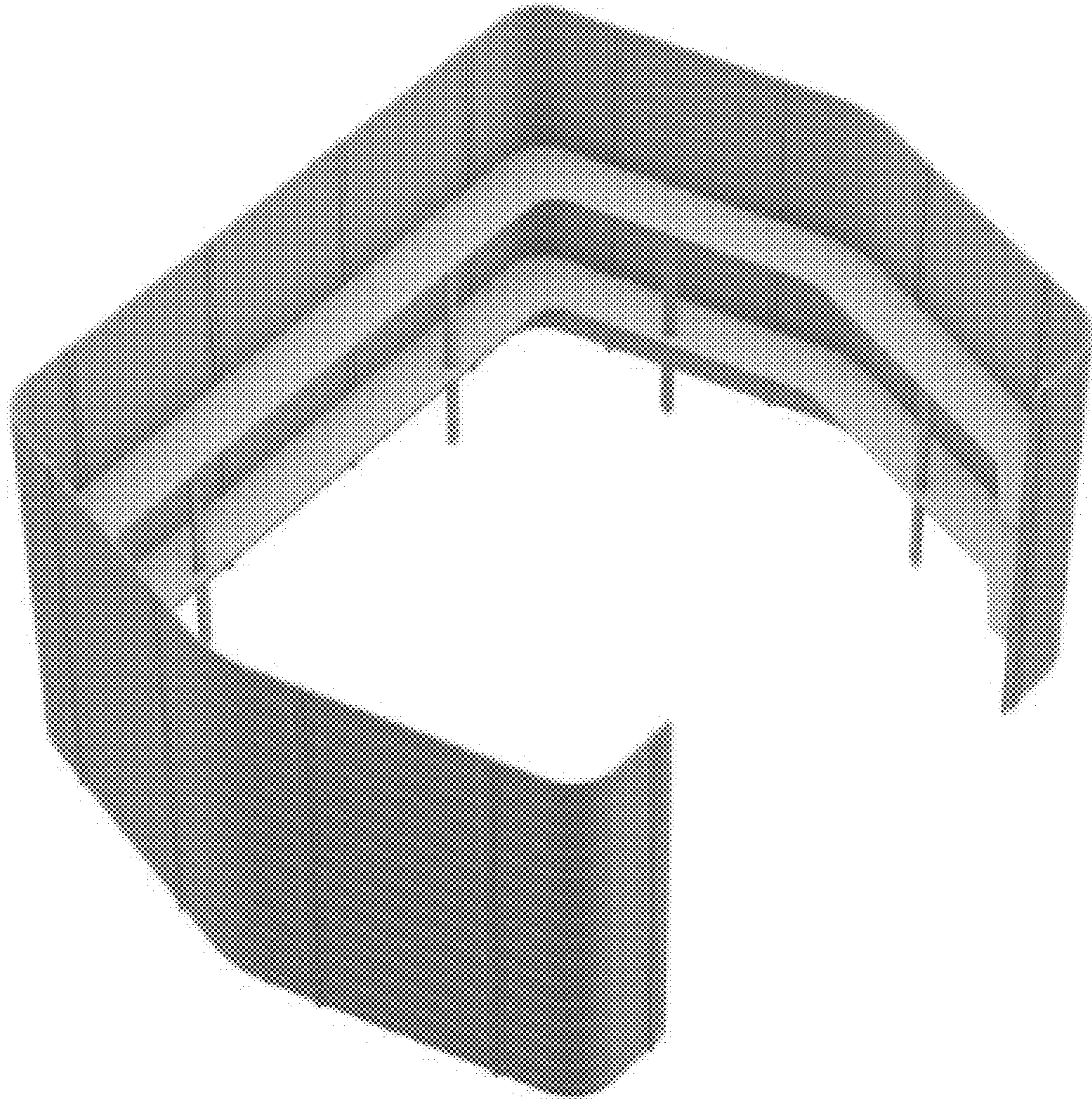


Fig. 2



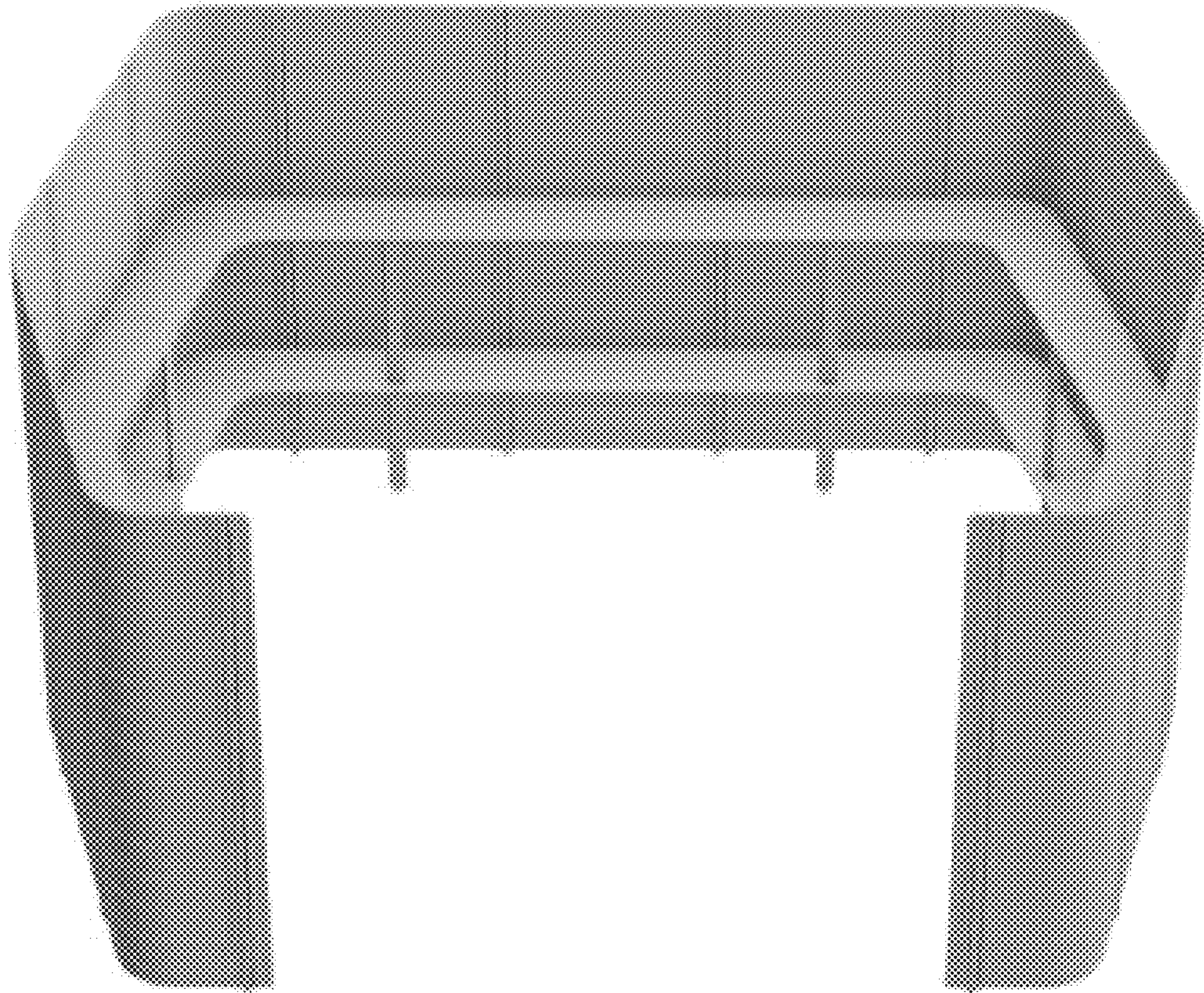


Fig. 3



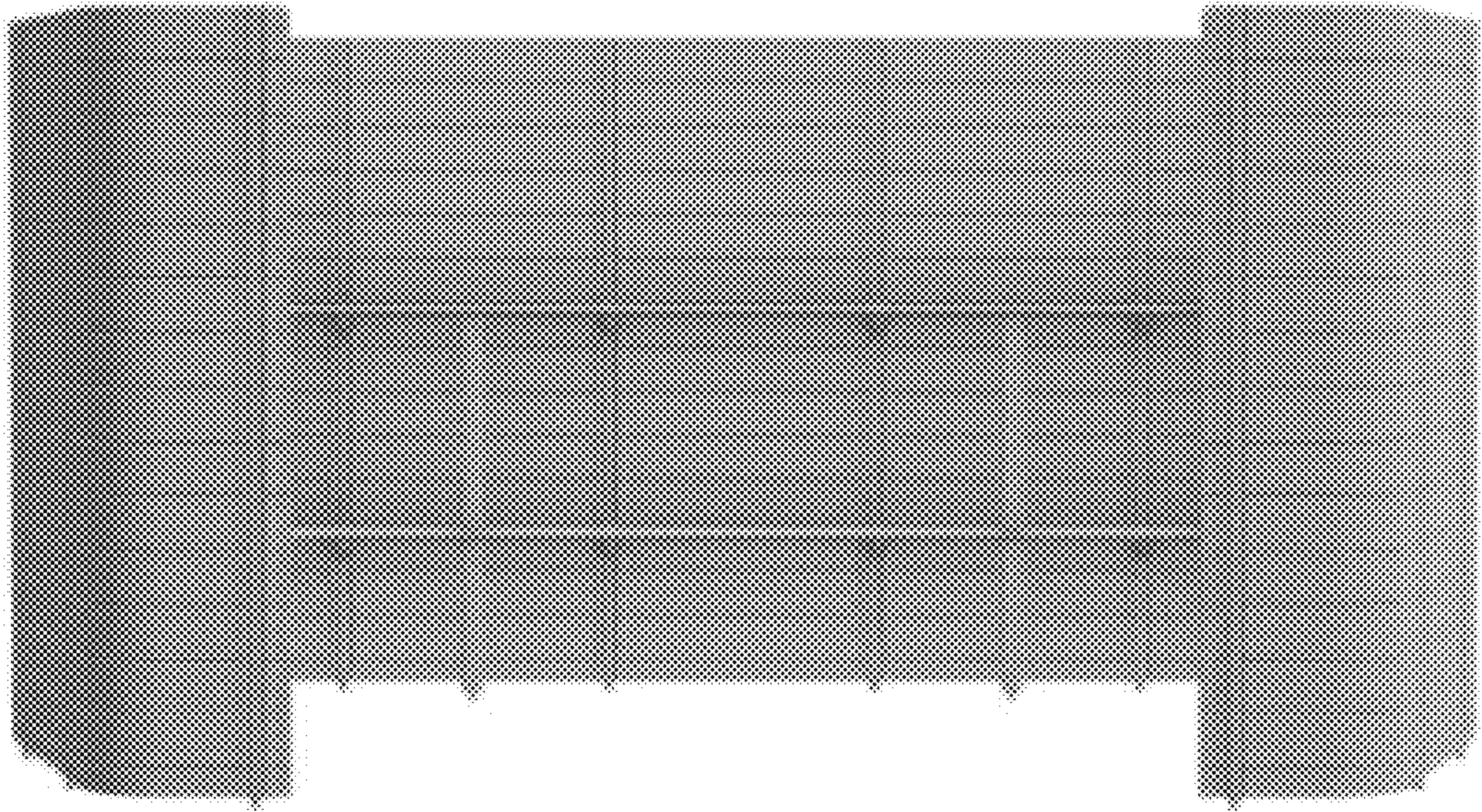


Fig. 4



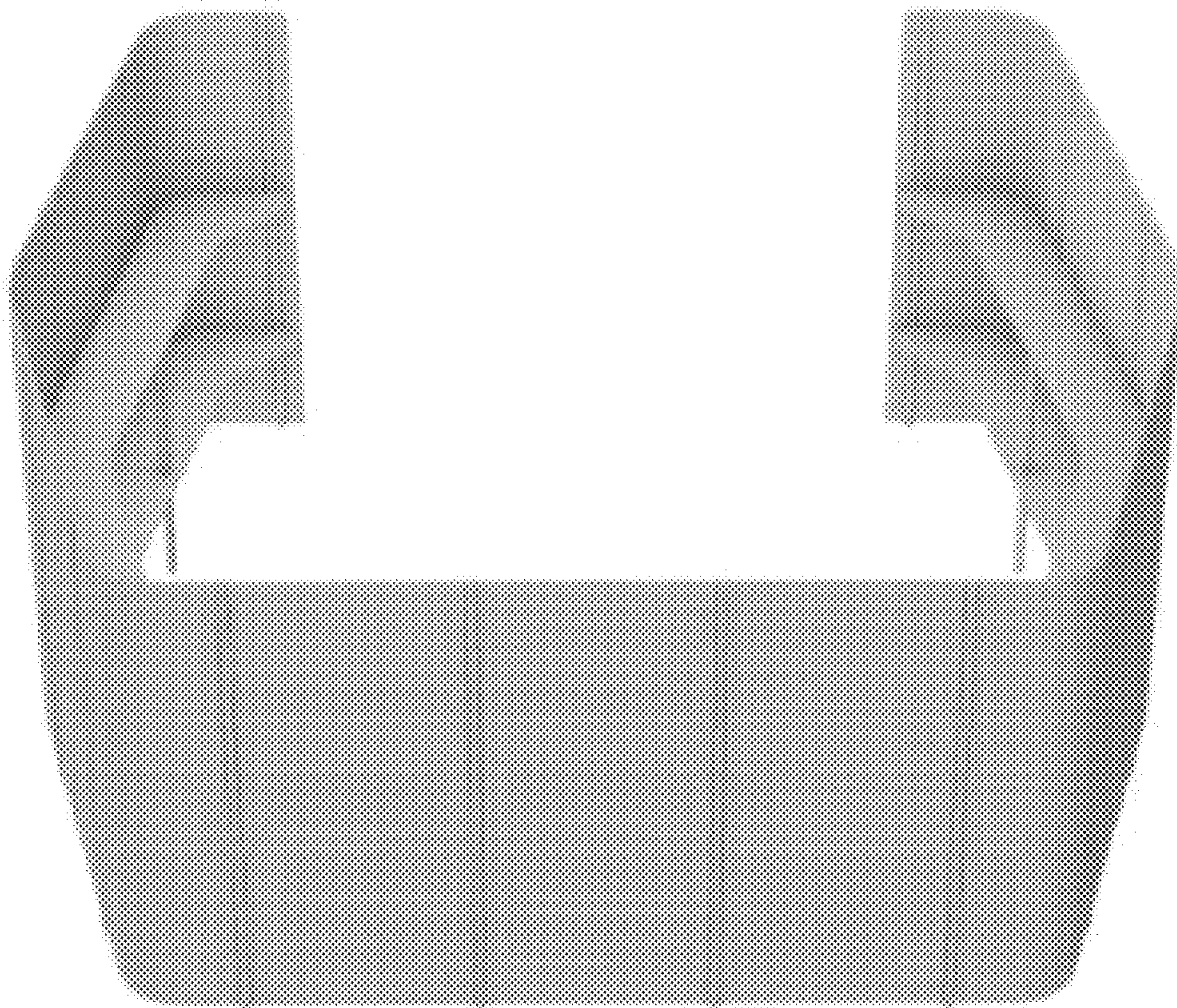


Fig. 5

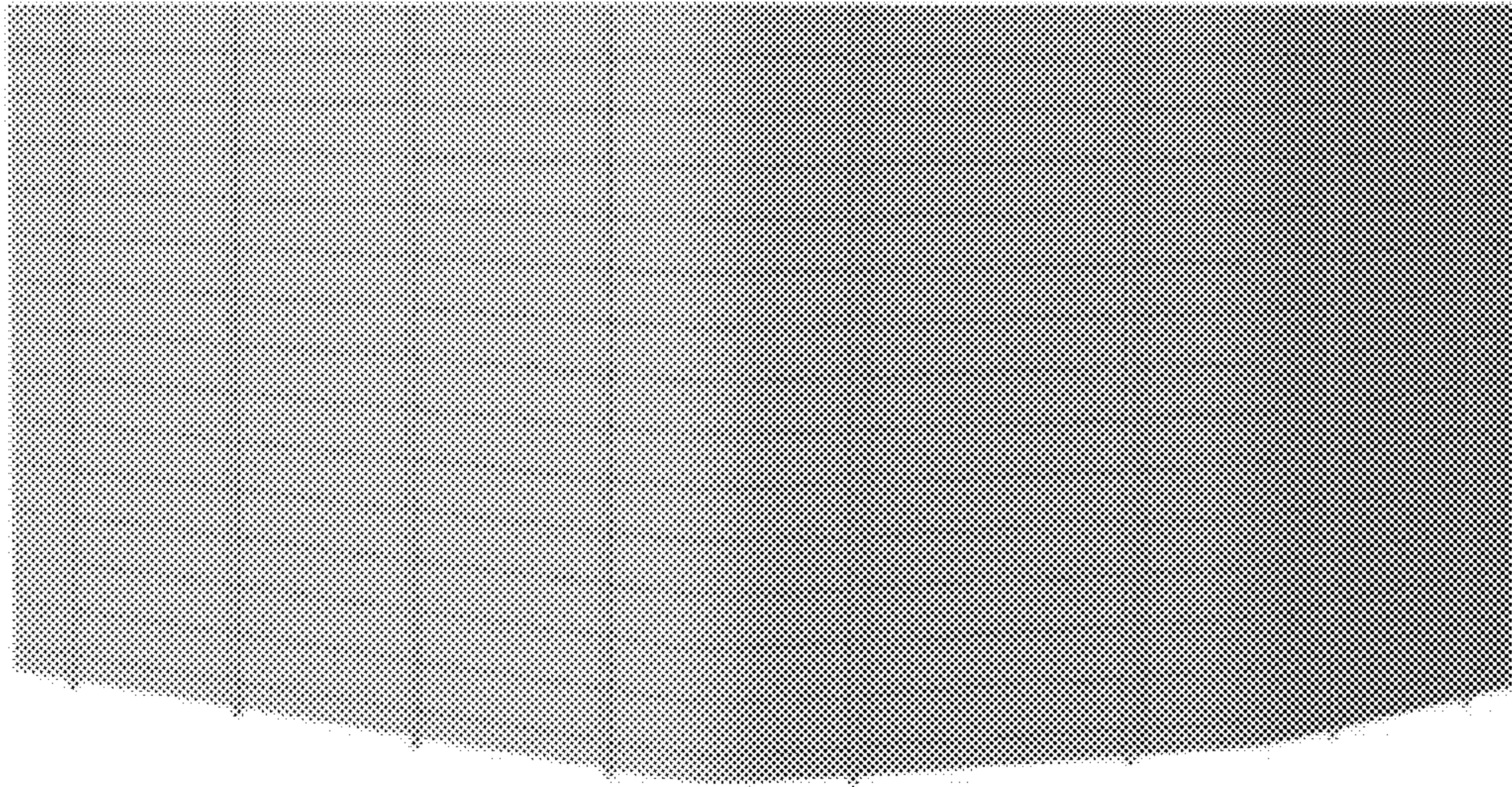


Fig. 6



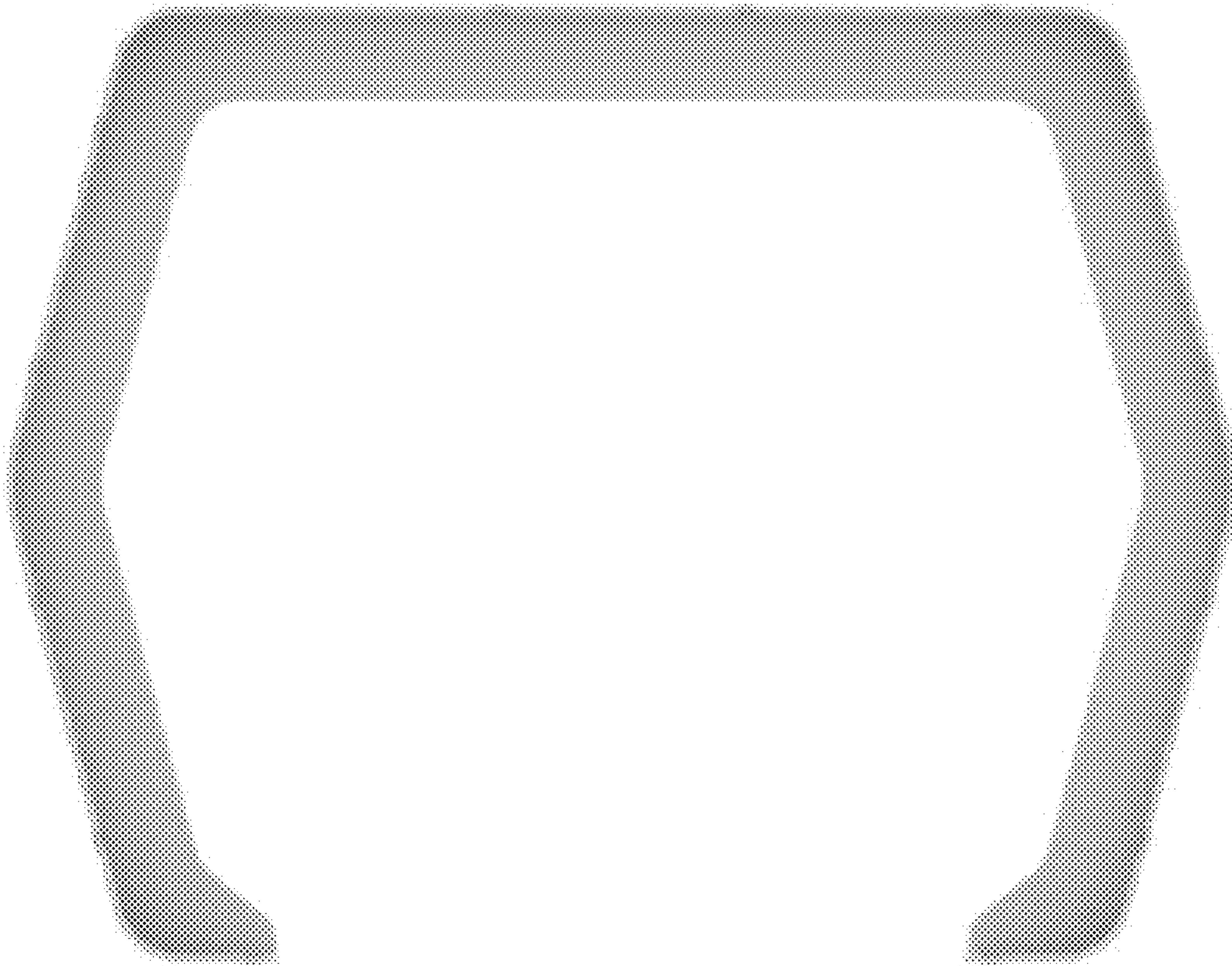


Fig. 7