



US00D775863S

(12) **United States Design Patent**
Jensen

(10) **Patent No.:** **US D775,863 S**

(45) **Date of Patent:** **** Jan. 10, 2017**

(54) **PILLOW**

(71) Applicant: **Gemma Jensen**, Altrincham (GB)

(72) Inventor: **Gemma Jensen**, Altrincham (GB)

(**) Term: **15 Years**

(21) Appl. No.: **29/541,748**

(22) Filed: **Oct. 7, 2015**

(30) **Foreign Application Priority Data**

Apr. 10, 2015 (EM) 002679233-0001

(51) **LOC (10) Cl.** **06-09**

(52) **U.S. Cl.**

USPC **D6/601**

(58) **Field of Classification Search**

USPC D6/582-583, 587-592, 595-609,
D6/617-622; D21/803-809; D24/183

CPC A47G 9/00; A47G 2009/001; A47G
2009/002; A47G 2009/003; A47G 9/10;
A47G 9/1009; A47G 2009/1018; A47G
9/1045; A47G 9/1081; A47G 9/109

See application file for complete search history.

7,322,061 B2 * 1/2008 Carroll A47C 7/383
5/490

7,469,434 B2 * 12/2008 Drucker A61F 5/56
5/636

D653,486 S * 2/2012 Wood D6/601

D663,150 S * 7/2012 Oberpriller D6/601

D666,861 S * 9/2012 Phillips D6/601

D669,724 S * 10/2012 Kokoshari D6/601

8,468,627 B2 * 6/2013 Leach A47C 20/021
5/630

D716,582 S * 11/2014 Jensen D6/601

D721,520 S * 1/2015 Jensen D6/601

D763,601 S * 8/2016 Hill D6/601

2005/0066443 A1 * 3/2005 Rivera-Wienhold .. A47D 13/08
5/632

2006/0162080 A1 * 7/2006 Littlehorn A47C 16/00
5/652

* cited by examiner

Primary Examiner — Eric Goodman
Assistant Examiner — Jennifer L Rempfer
 (74) *Attorney, Agent, or Firm* — Egbert Law Office,
 PLLC

(57) **CLAIM**

The ornamental design for a pillow, as shown and described.

(56) **References Cited**

U.S. PATENT DOCUMENTS

D204,443 S * 4/1966 Wood 5/636

D308,788 S * 6/1990 Boehm D6/601

5,528,784 A * 6/1996 Painter A47G 9/10
5/636

D410,168 S * 5/1999 McWhorter D6/596

D423,860 S * 5/2000 Schlechter D6/601

6,073,902 A * 6/2000 Hiles F16M 13/02
248/176.1

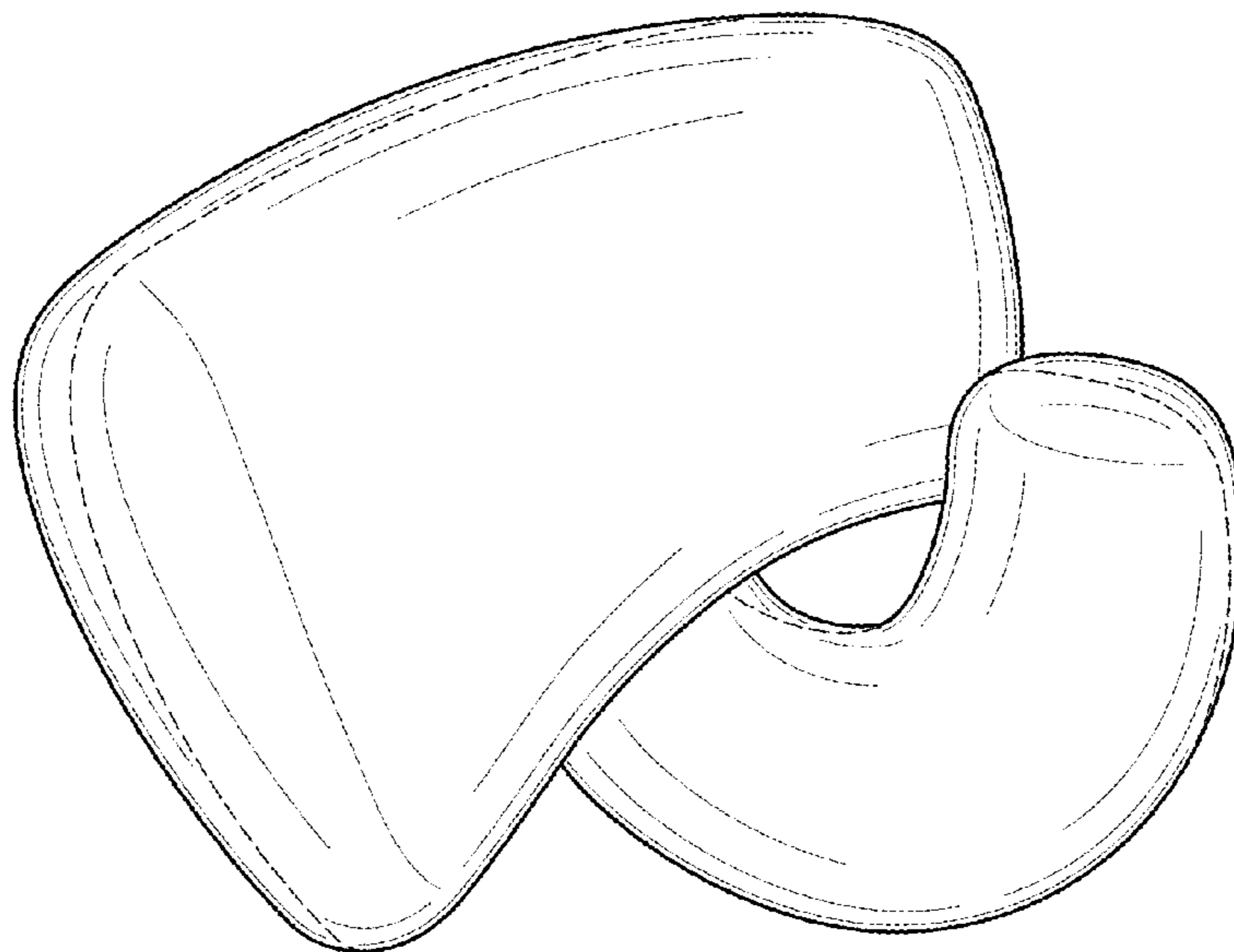
D438,747 S * 3/2001 Hurwitz D6/601

6,795,990 B1 * 9/2004 Hutchinson A47C 20/021
5/490

DESCRIPTION

FIG. 1 is a front view of a pillow showing my new design.
 FIG. 2 is a side view thereof;
 FIG. 3 is a rear view thereof;
 FIG. 4 is an opposite side view thereof;
 FIG. 5 is a top view thereof;
 FIG. 6 is a bottom view thereof; and,
 FIG. 7 is a perspective view thereof.
 The broken lines represent stitching that forms part of the
 claimed design.

1 Claim, 4 Drawing Sheets



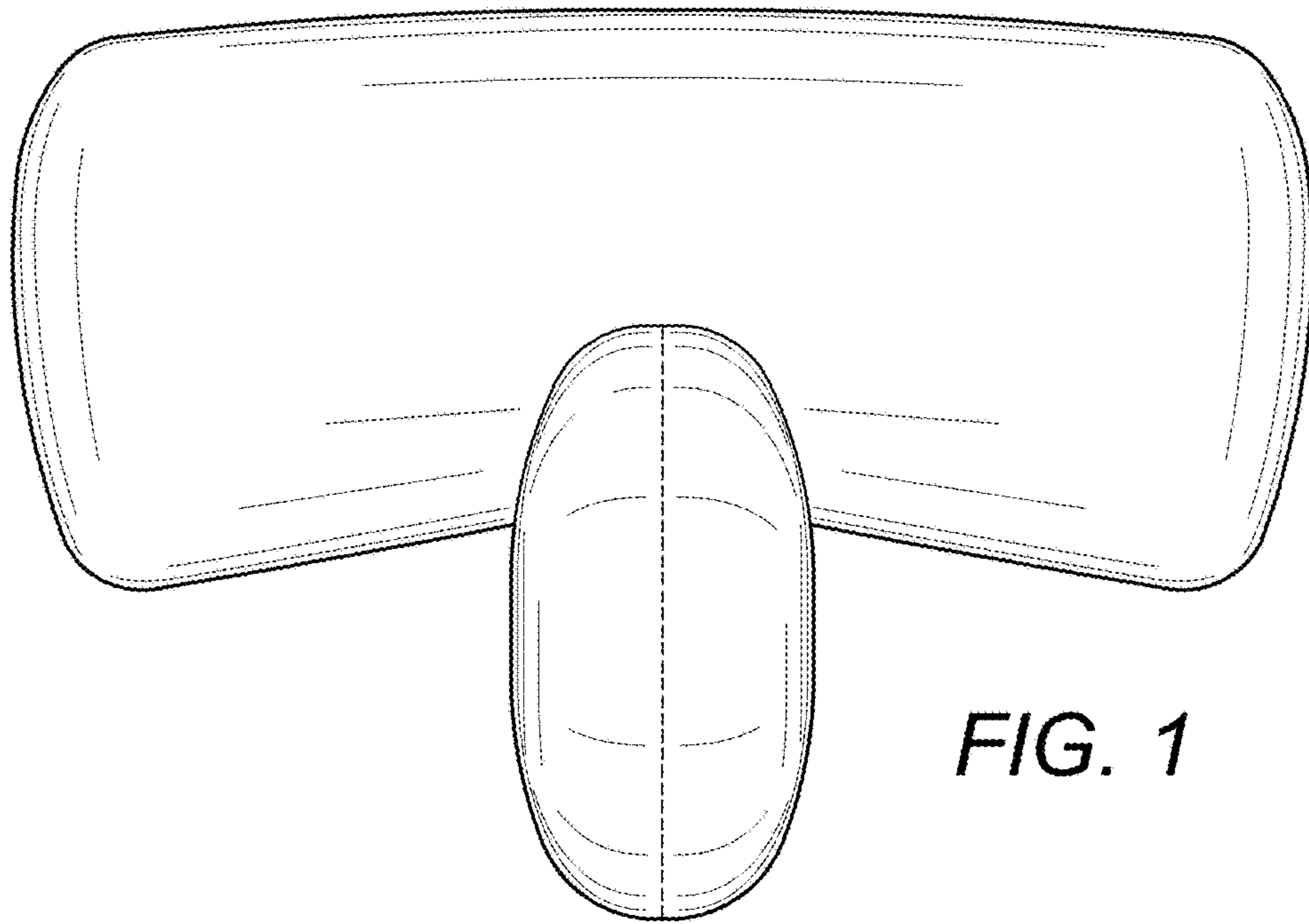


FIG. 1

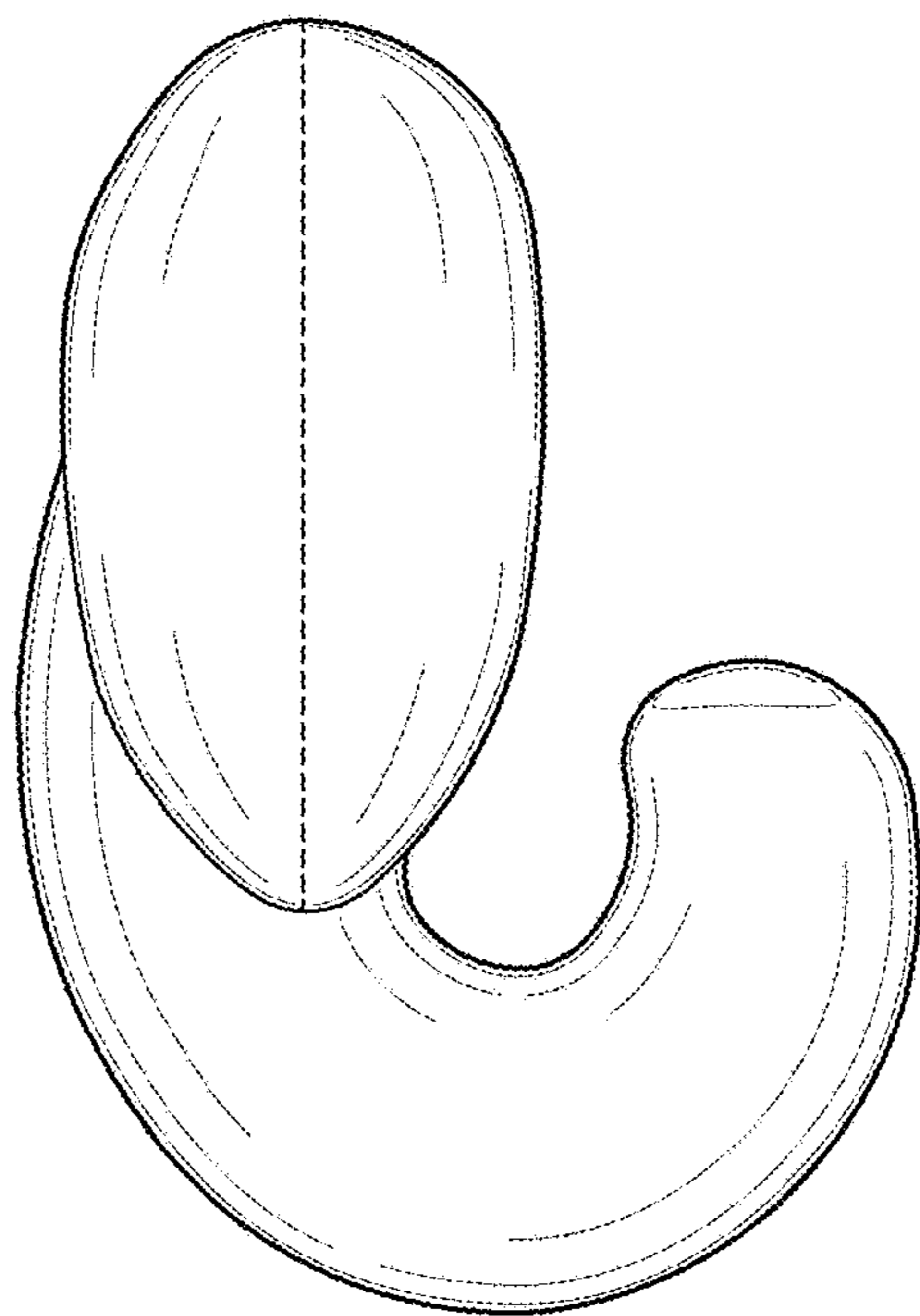


FIG. 2

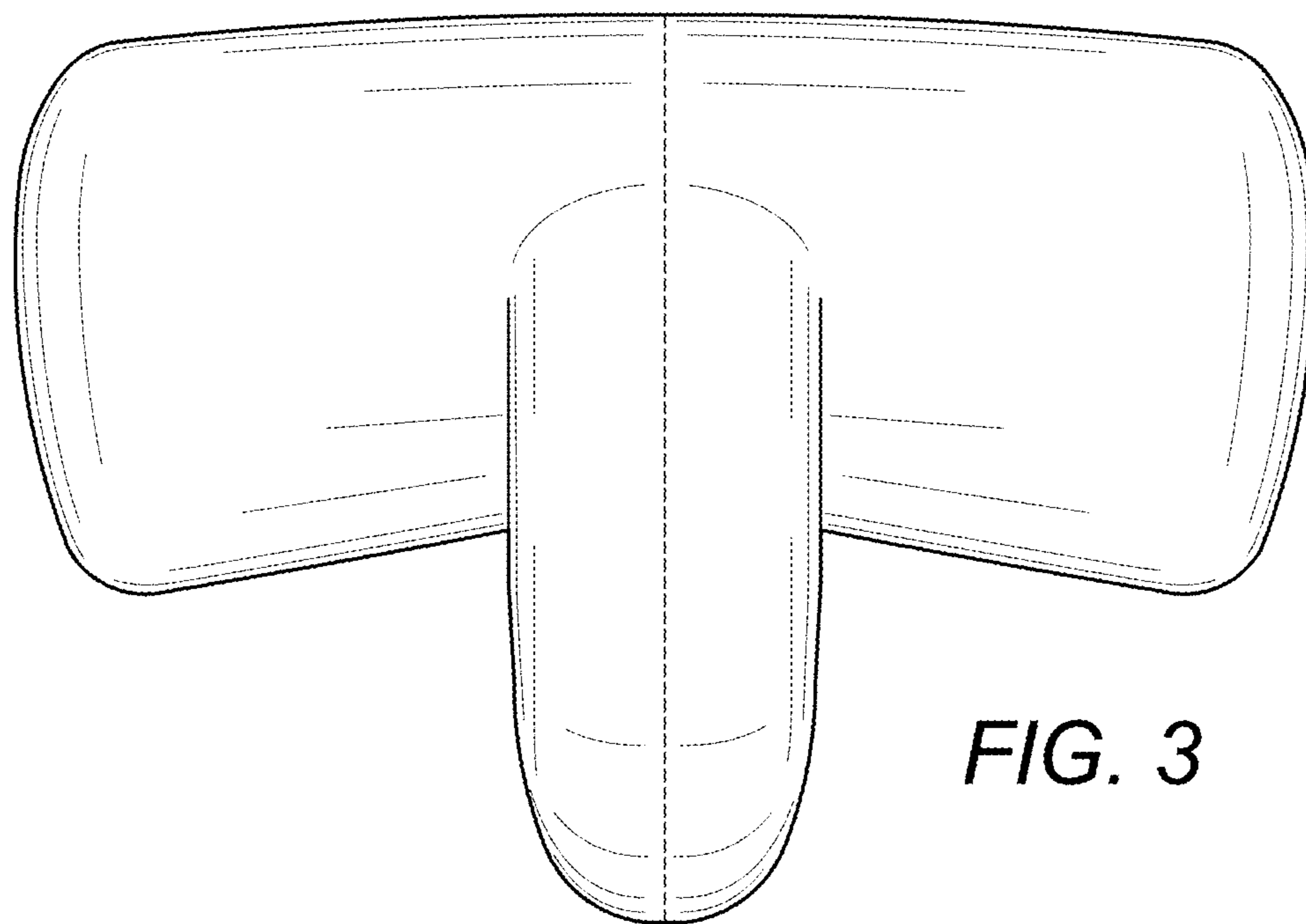


FIG. 3

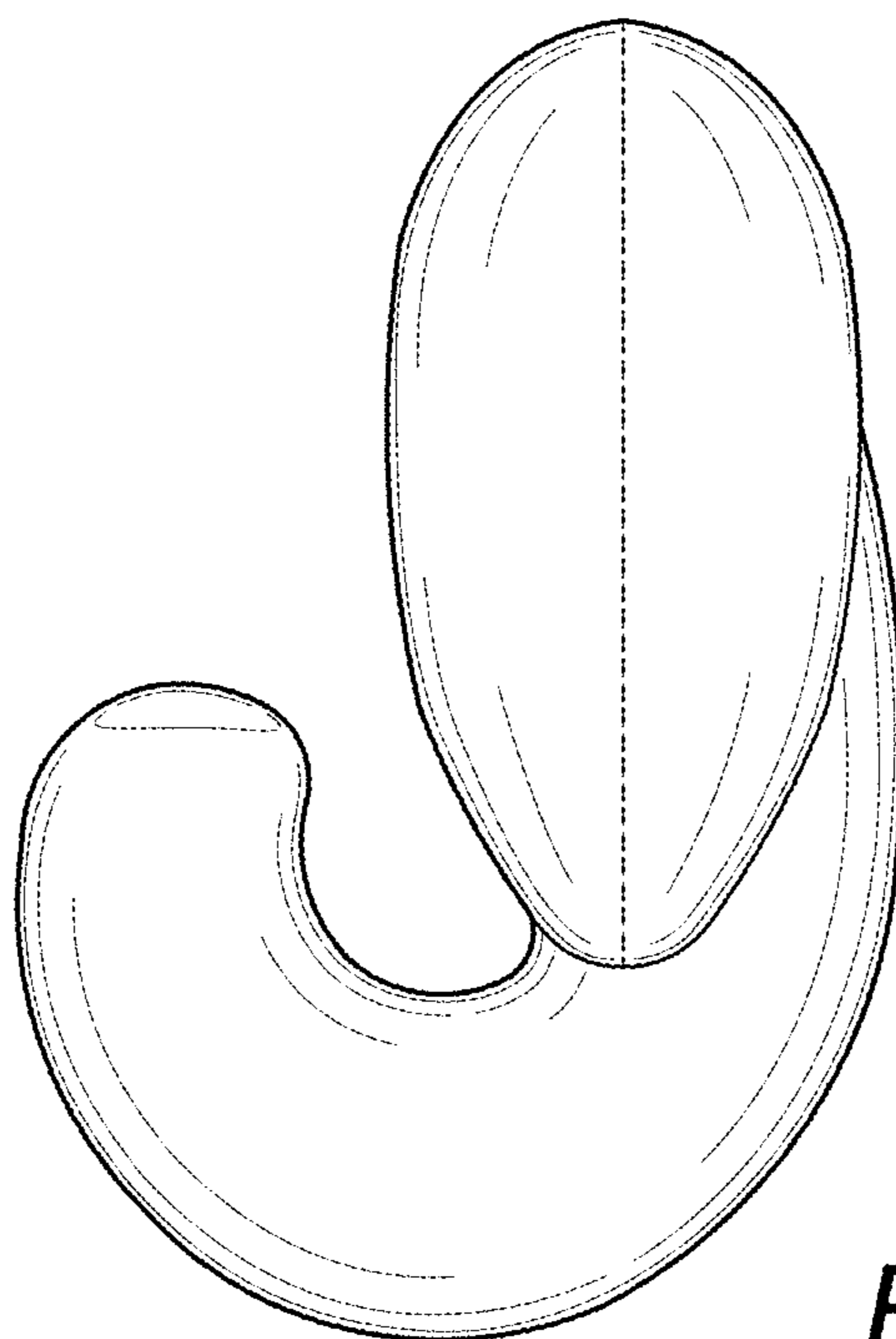


FIG. 4

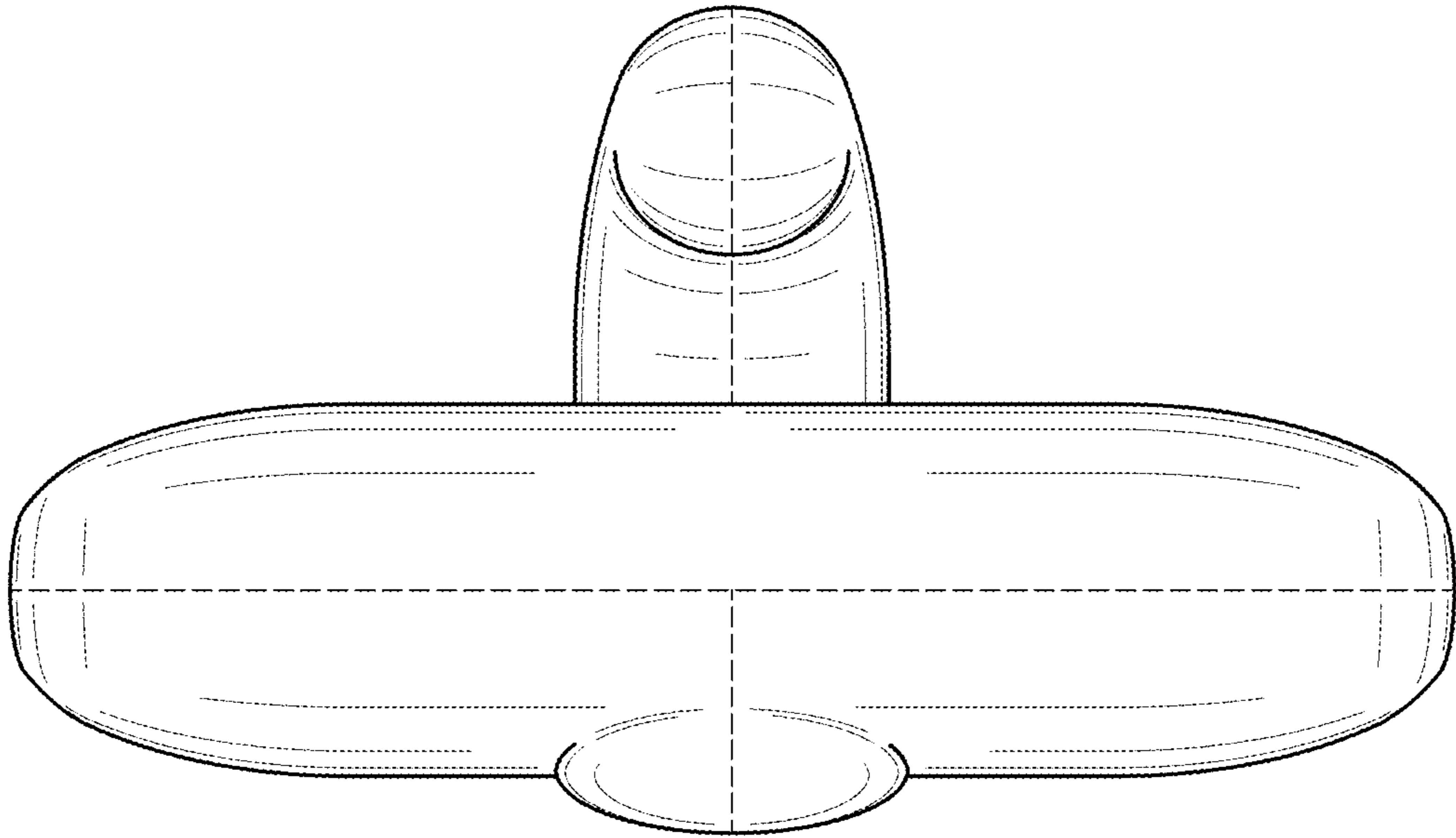


FIG. 5

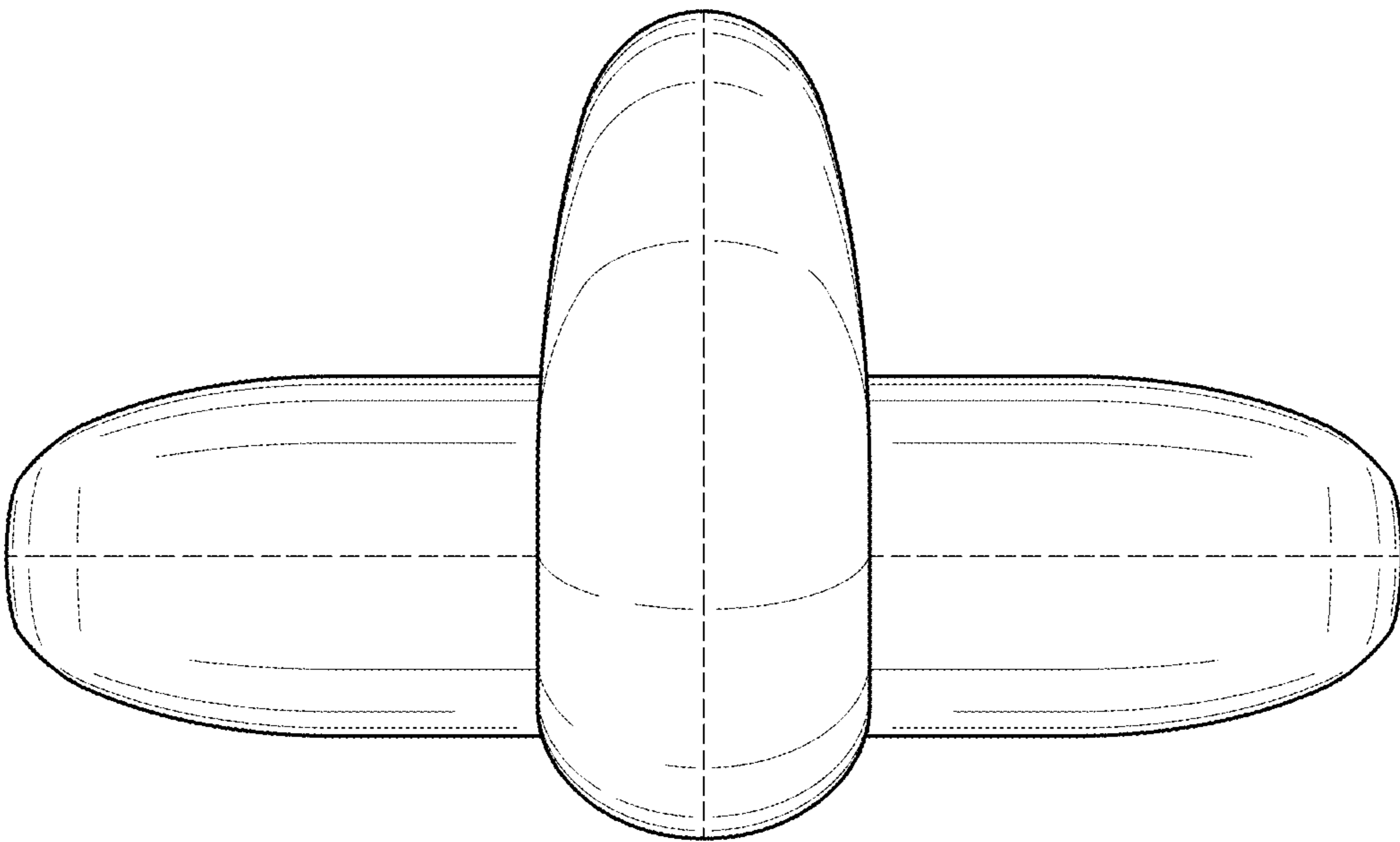


FIG. 6

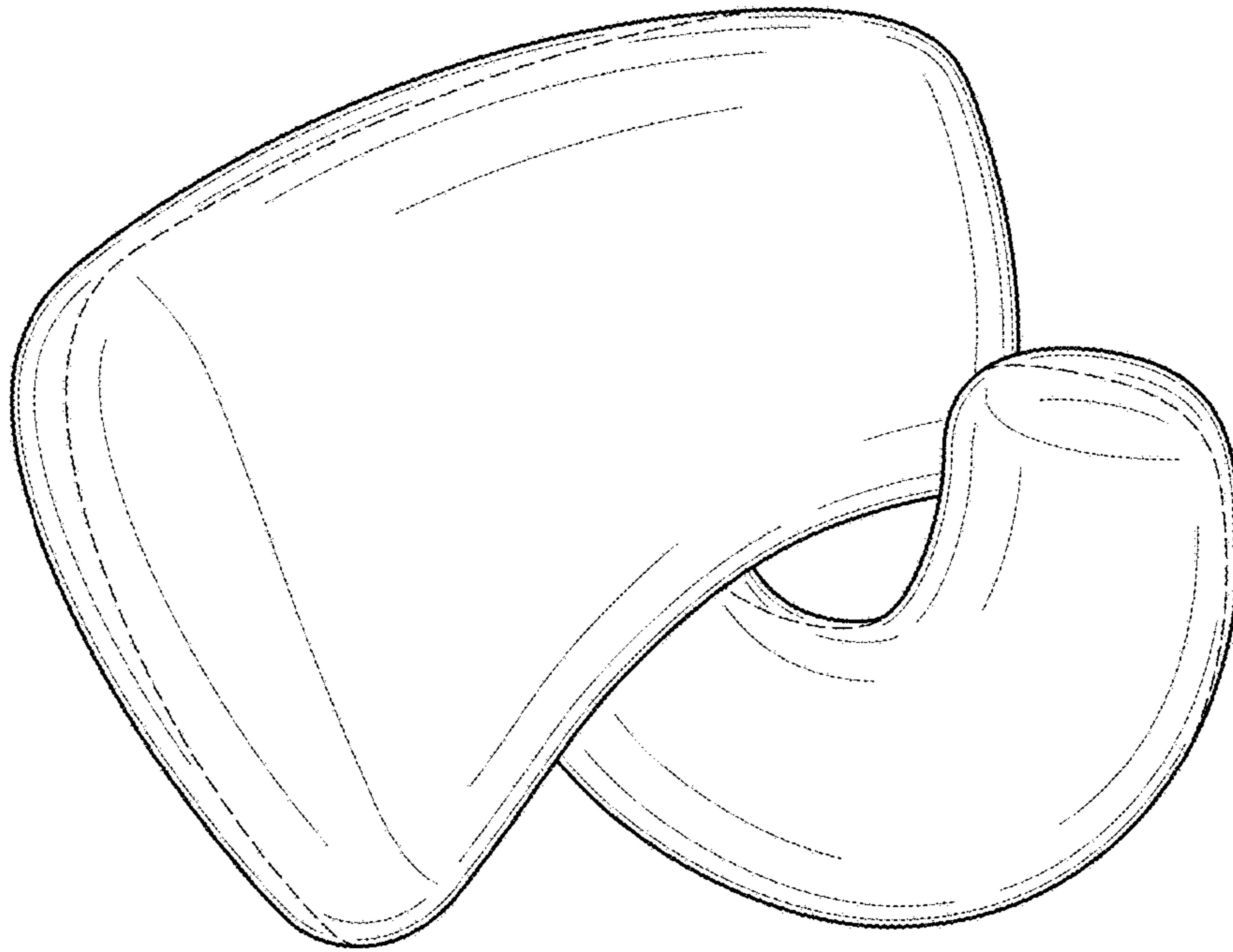


FIG. 7