



US00D775860S

(12) **United States Design Patent** (10) **Patent No.:** **US D775,860 S**  
**Morgan et al.** (45) **Date of Patent:** **\*\* Jan. 10, 2017**

(54) **TABLE**

(71) Applicant: **Zodiac Seats UK Limited**, Cwmbran, Wales (GB)

(72) Inventors: **Paul Morgan**, Nantyglo (GB); **Robert Gow**, Chepstow (GB)

(73) Assignee: **Zodiac Seats UK Limited**, Cwmbran (GB)

(\*\*) Term: **14 Years**

(21) Appl. No.: **29/504,135**

(22) Filed: **Oct. 2, 2014**

(30) **Foreign Application Priority Data**

Apr. 7, 2014 (EM) ..... 002442061-0001

(51) **LOC (10) Cl.** ..... **06-03**

(52) **U.S. Cl.**  
USPC ..... **D6/555; D6/686**

(58) **Field of Classification Search**  
USPC ..... D6/332, 337, 357, 406.3, 553, 555, 641, D6/643, 643.1, 644, 648, 648.2, 648.3, D6/653, 653.1, 654, 654.18, 656, 656.13, D6/656.15, 672, 685, 687, 692, 692.3, D6/692.4, 698, 708, 708.17, 574, 704, D6/707.16, 686, 691

CPC ..... A47B 3/00; A47B 5/00; A47B 7/00; A47B 7/02; A47B 21/00; A47B 21/0314; A47B 2021/0364; A47B 23/00; A47B 23/001; A47B 23/04; A47B 31/06; B64D 11/00; B64D 11/0007; B60N 3/00  
See application file for complete search history.

(56) **References Cited**

**U.S. PATENT DOCUMENTS**

3,285,206 A \* 11/1966 Hoffman ..... A47B 5/04  
108/134

D292,249 S \* 10/1987 Stade ..... D6/406.3  
D361,238 S \* 8/1995 Richards ..... D6/574  
D378,966 S \* 4/1997 Helmsderfer ..... 5/947  
D412,258 S \* 7/1999 Helmsderfer ..... D6/555  
D545,604 S \* 7/2007 Eyman ..... D6/574  
D553,892 S \* 10/2007 Lior ..... D6/574  
D604,080 S \* 11/2009 Stolp ..... D6/555  
D631,735 S \* 2/2011 Johnson ..... D8/380  
D686,384 S \* 7/2013 Fosburgh ..... D32/66  
D708,669 S \* 7/2014 Sharma ..... D19/113  
8,894,121 B2 \* 11/2014 Eilers ..... B60R 7/04  
108/44  
D732,310 S \* 6/2015 Lea ..... D6/555

\* cited by examiner

*Primary Examiner* — Mary Ann Calabrese

*Assistant Examiner* — Megan M Majcher Hartnett

(74) *Attorney, Agent, or Firm* — Kilpatrick Townsend & Stockton LLP; Dean W. Russell; Renae Bailey Wainwright

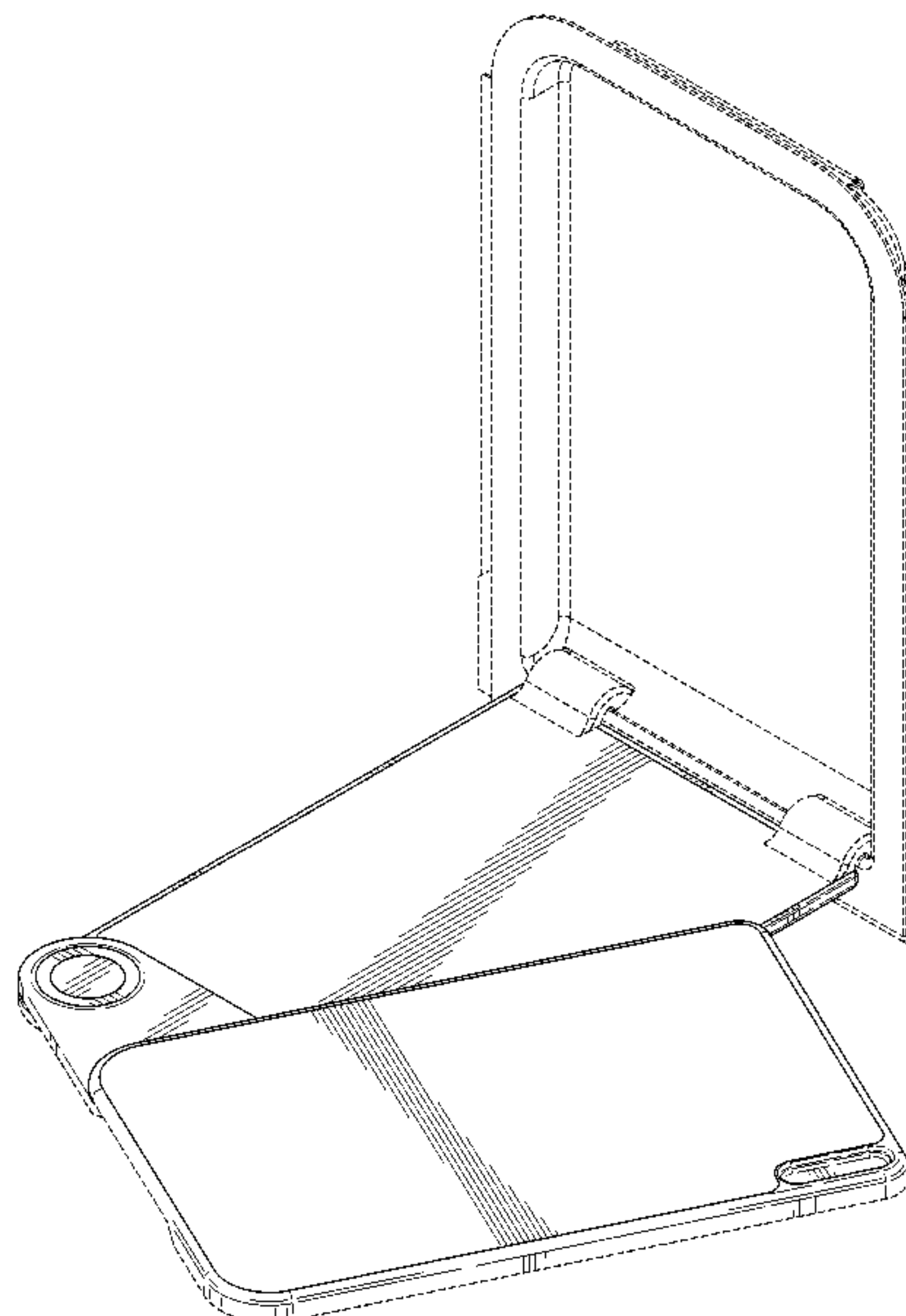
(57) **CLAIM**

The ornamental design for a table, as shown and described.

**DESCRIPTION**

FIG. 1 is a perspective view of a table.  
FIG. 2 is a plan view of the table of FIG. 1.  
FIG. 3 is a left side view of the table of FIG. 1.  
FIG. 4 is a right side view of the table of FIG. 1.  
FIG. 5 is a front view of the table of FIG. 1.  
FIG. 6 is a bottom view of the table of FIG. 1; and,  
FIG. 7 is a rear view of the table of FIG. 1.  
The broken lines depict portions of the table that form no part of the claimed design.

**1 Claim, 7 Drawing Sheets**



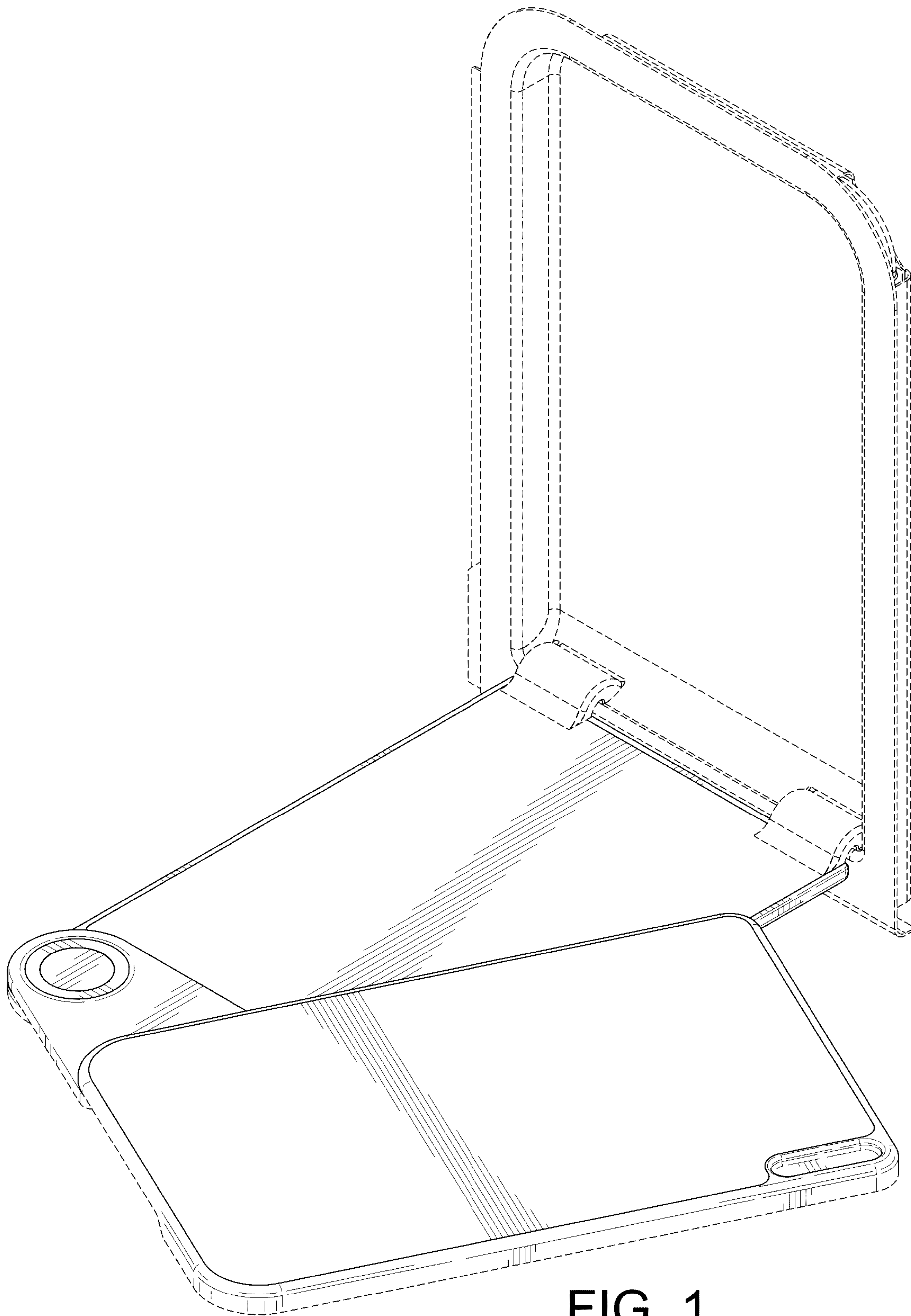


FIG. 1

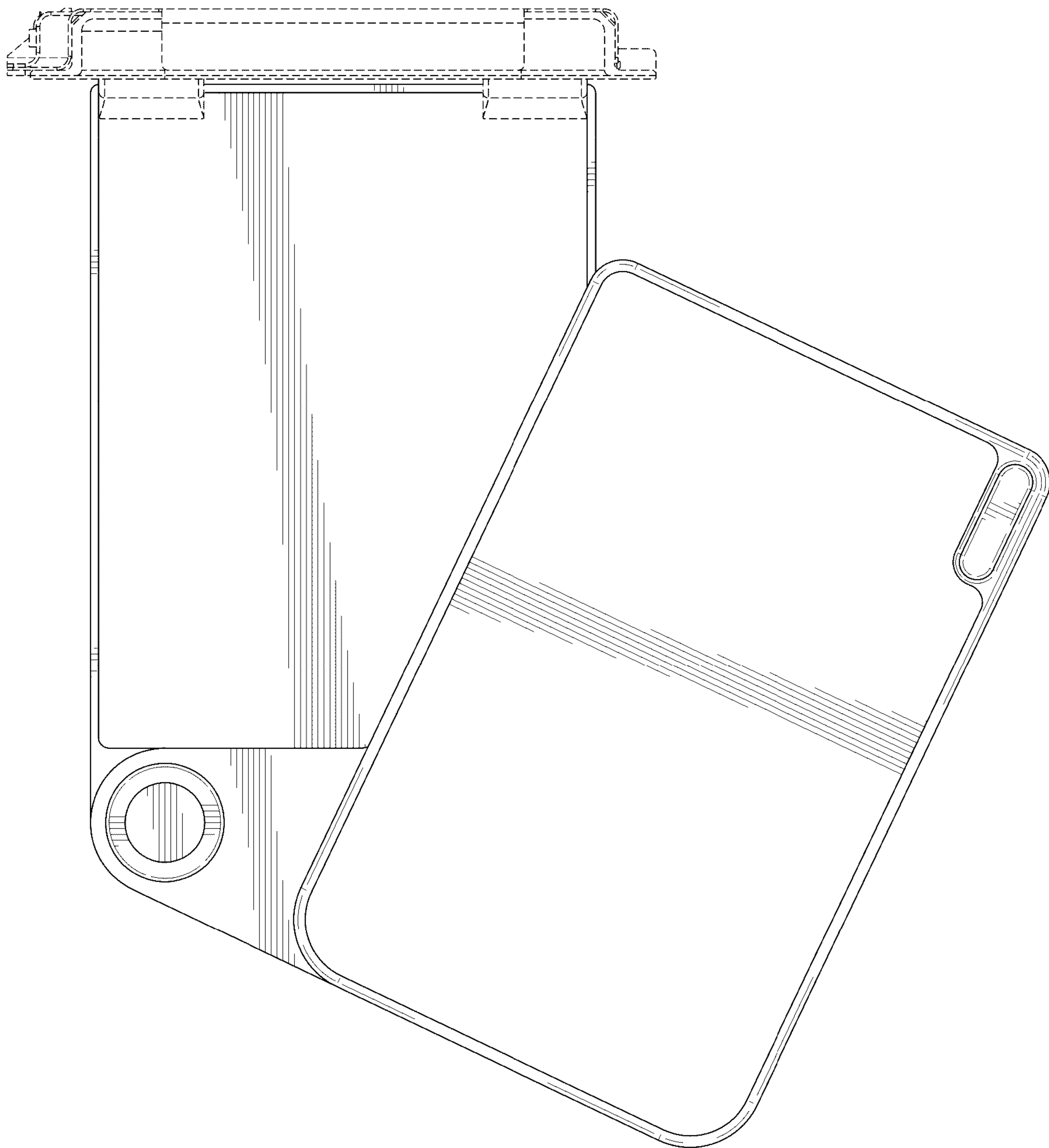


FIG. 2

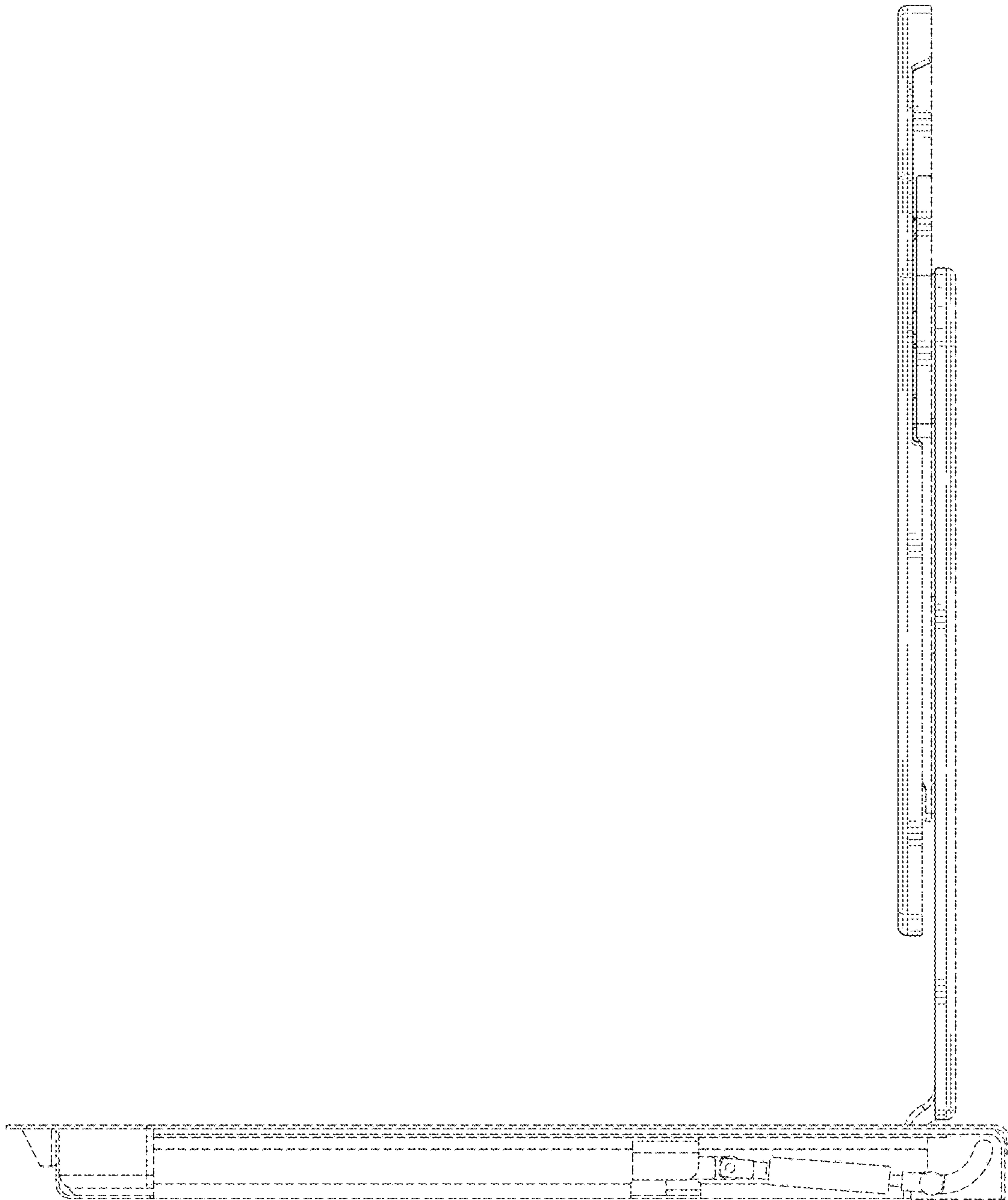


FIG. 3

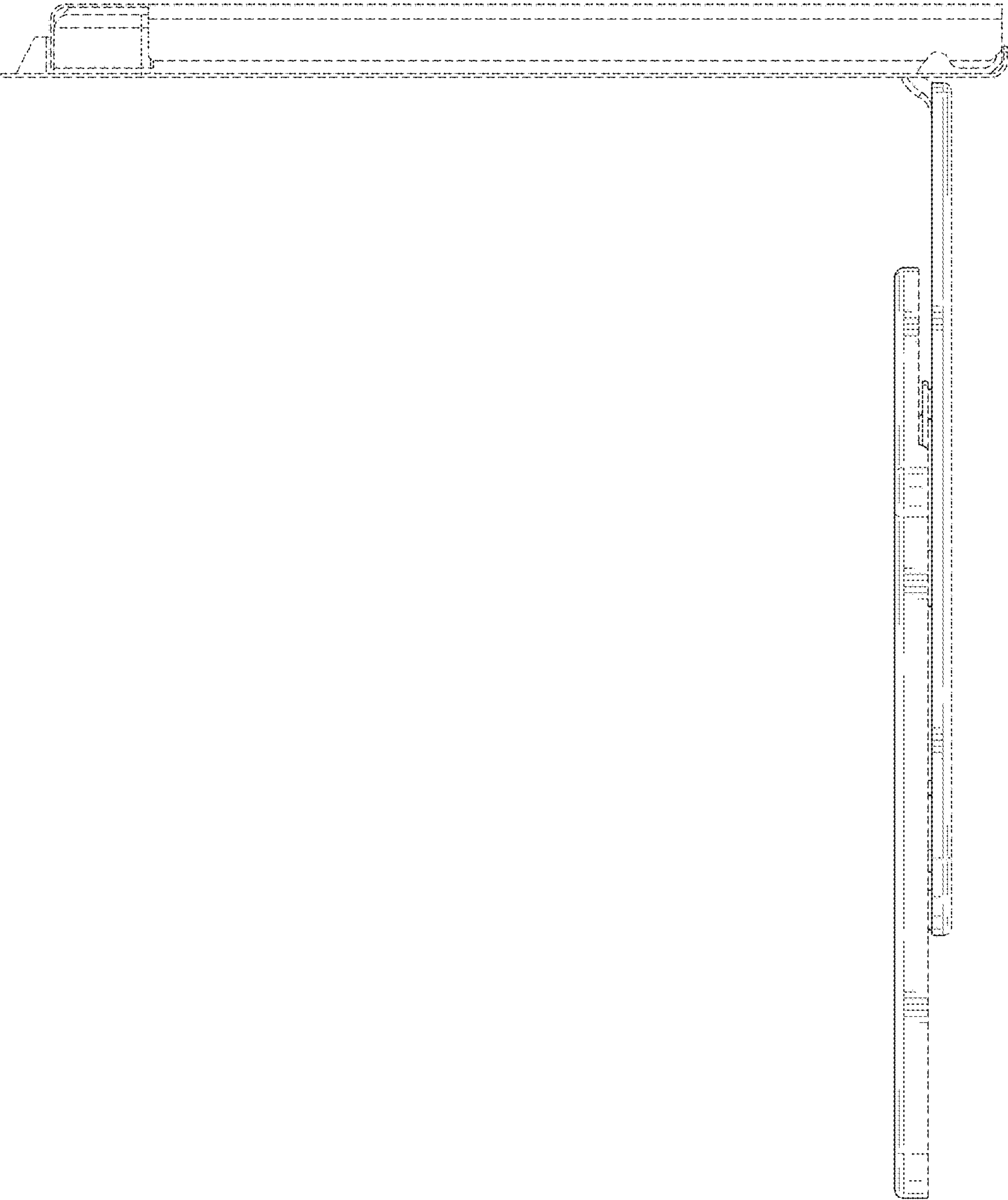


FIG. 4



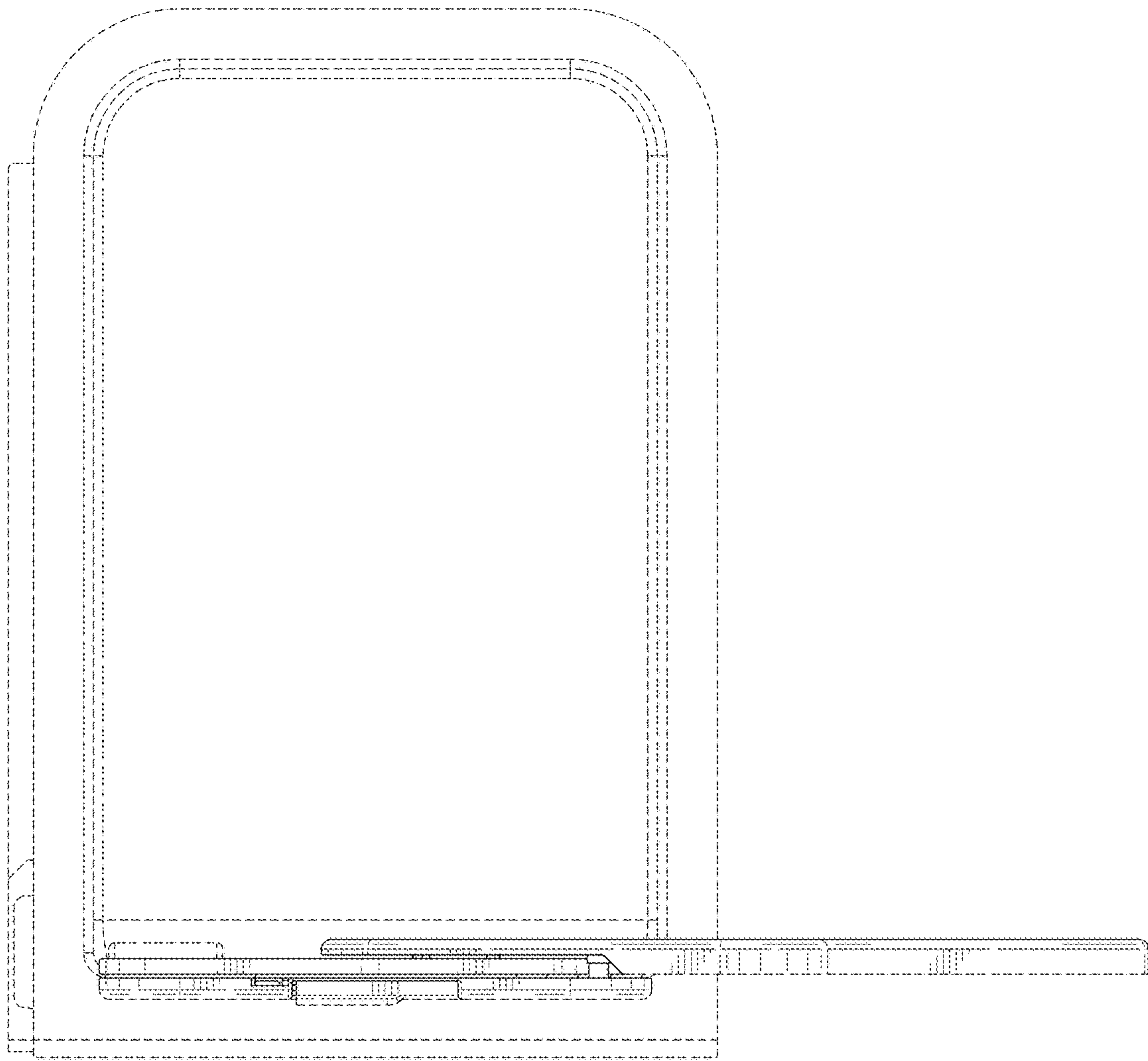


FIG. 5

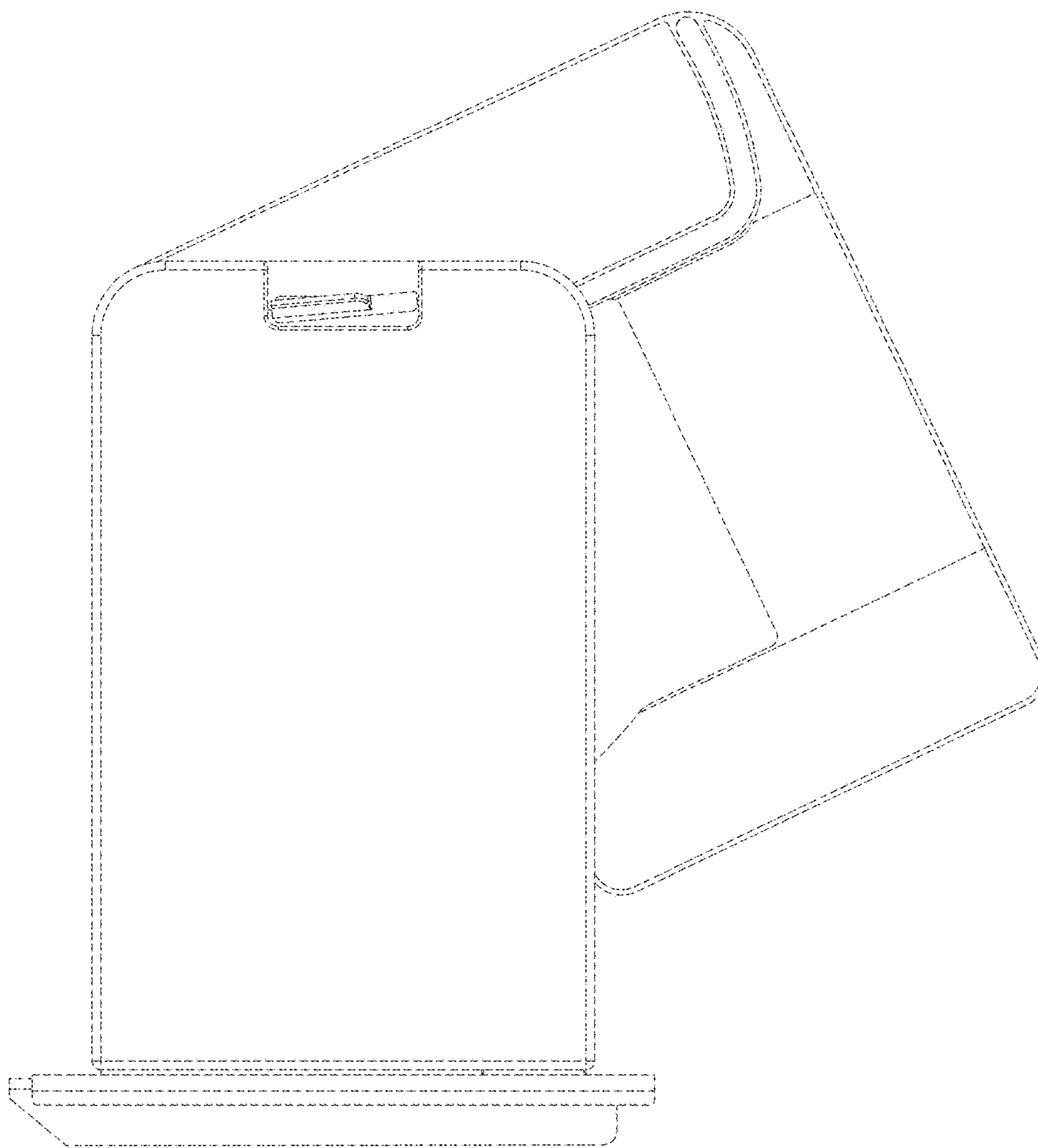


FIG. 6

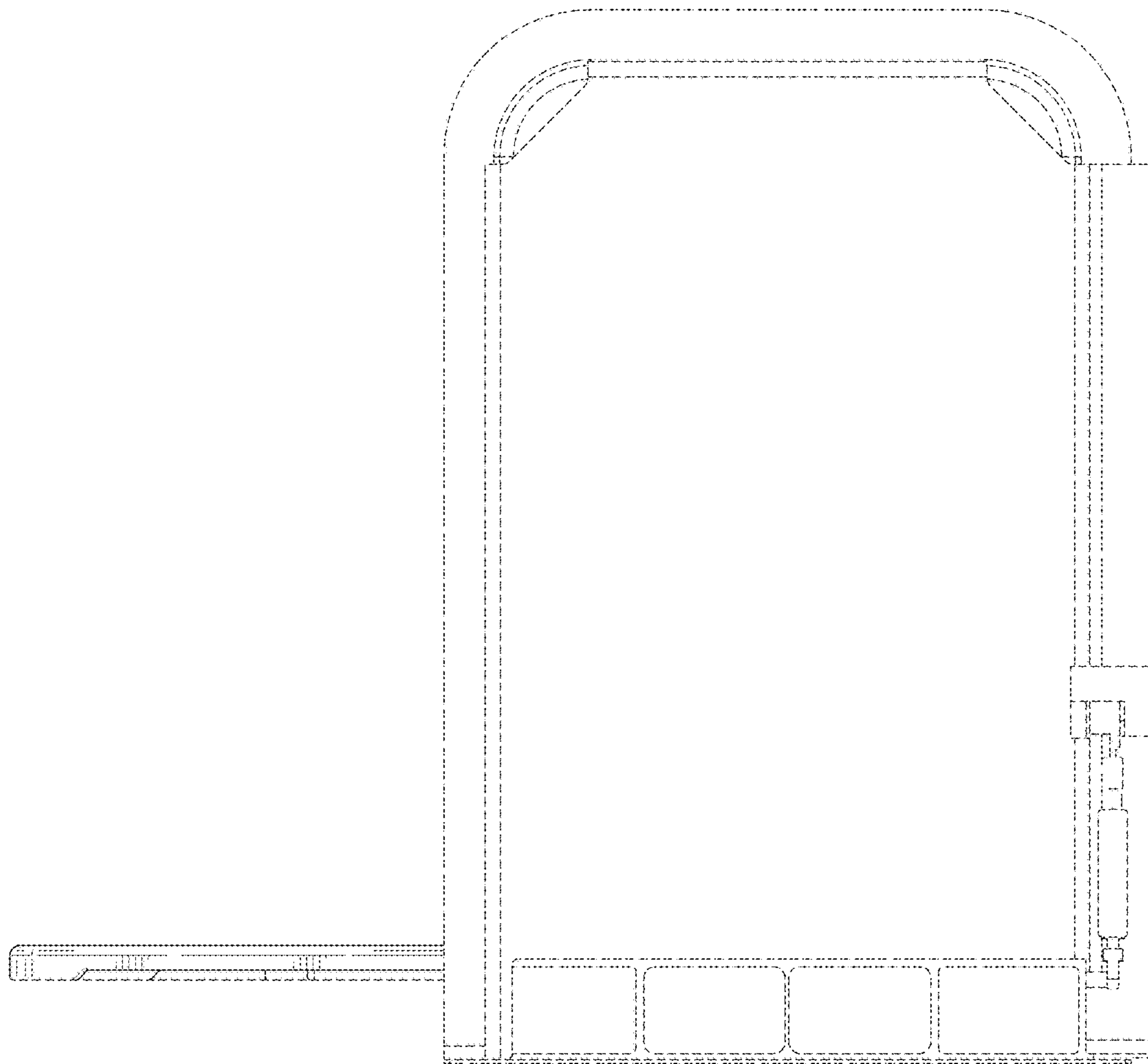


FIG. 7