



US00D775859S

(12) **United States Design Patent**
DeHart

(10) **Patent No.:** **US D775,859 S**

(45) **Date of Patent:** **** Jan. 10, 2017**

(54) **GUN RACK**

(71) Applicant: **Donnie W. DeHart**, Tillamook, OR
(US)

(72) Inventor: **Donnie W. DeHart**, Tillamook, OR
(US)

(**) Term: **15 Years**

(21) Appl. No.: **29/536,908**

(22) Filed: **Aug. 20, 2015**

(51) **LOC (10) Cl.** **06-04**

(52) **U.S. Cl.**
USPC **D6/552**

(58) **Field of Classification Search**
USPC D6/552, 553, 567; D22/109; 89/37.04;
211/13.1, 60.1, 64; 248/206.5, 309.4, 467,
248/537, 683
CPC F41A 23/18; B60R 7/14
See application file for complete search history.

(56) **References Cited**

U.S. PATENT DOCUMENTS

2,535,564 A	12/1950	Campbell
2,775,351 A	12/1956	Johnson et al.
2,797,033 A	6/1957	Rasbach
3,477,586 A	11/1969	Haluska
3,497,077 A	2/1970	Sjostrand

5,443,191 A	8/1995	Jorgenson	
D365,717 S *	1/1996	Cardenas D12/406
5,495,969 A	3/1996	Cardenas	
D551,482 S *	9/2007	Goodman D6/566
D622,086 S *	8/2010	Leung D6/552
D630,875 S *	1/2011	Leung D6/552
D661,150 S *	6/2012	Cardenas D6/552

* cited by examiner

Primary Examiner — Wan Laymon

Assistant Examiner — Mark Booker

(74) *Attorney, Agent, or Firm* — Robert C. Montgomery;
Montgomery Patent & Design LP

(57) **CLAIM**

The ornamental design for a gun rack, as shown and described.

DESCRIPTION

FIG. 1 is a perspective front view of the gun rack, showing my new design;

FIG. 2 is a front side view thereof;

FIG. 3 is a back side view thereof;

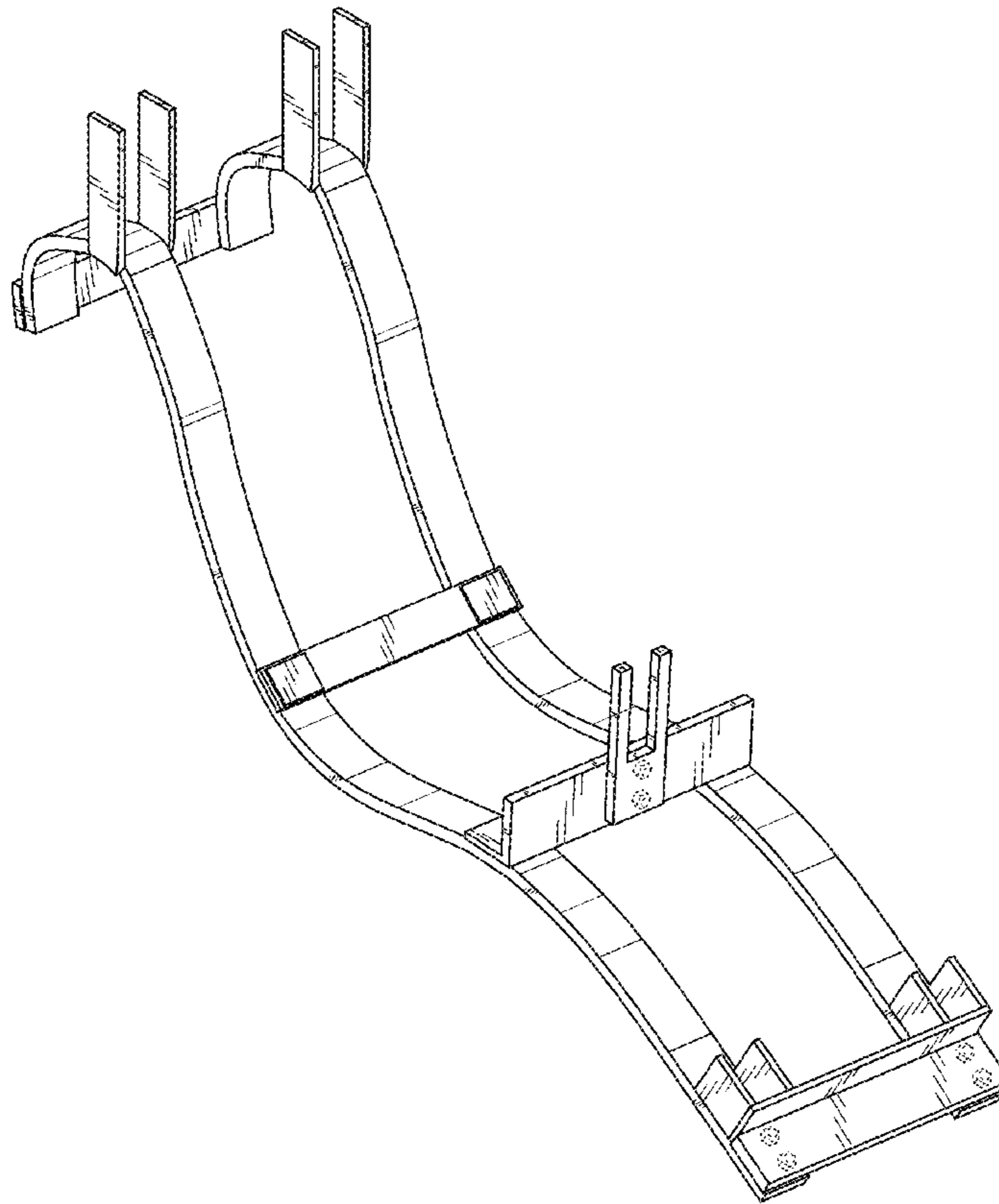
FIG. 4 is a left side view with the right side view being a mirror image thereof;

FIG. 5 is a top side view thereof; and,

FIG. 6 is a bottom side view thereof.

The broken line showing in the figures is included for the purpose of illustrating portions of the gun rack and form no part of the claimed design.

1 Claim, 6 Drawing Sheets



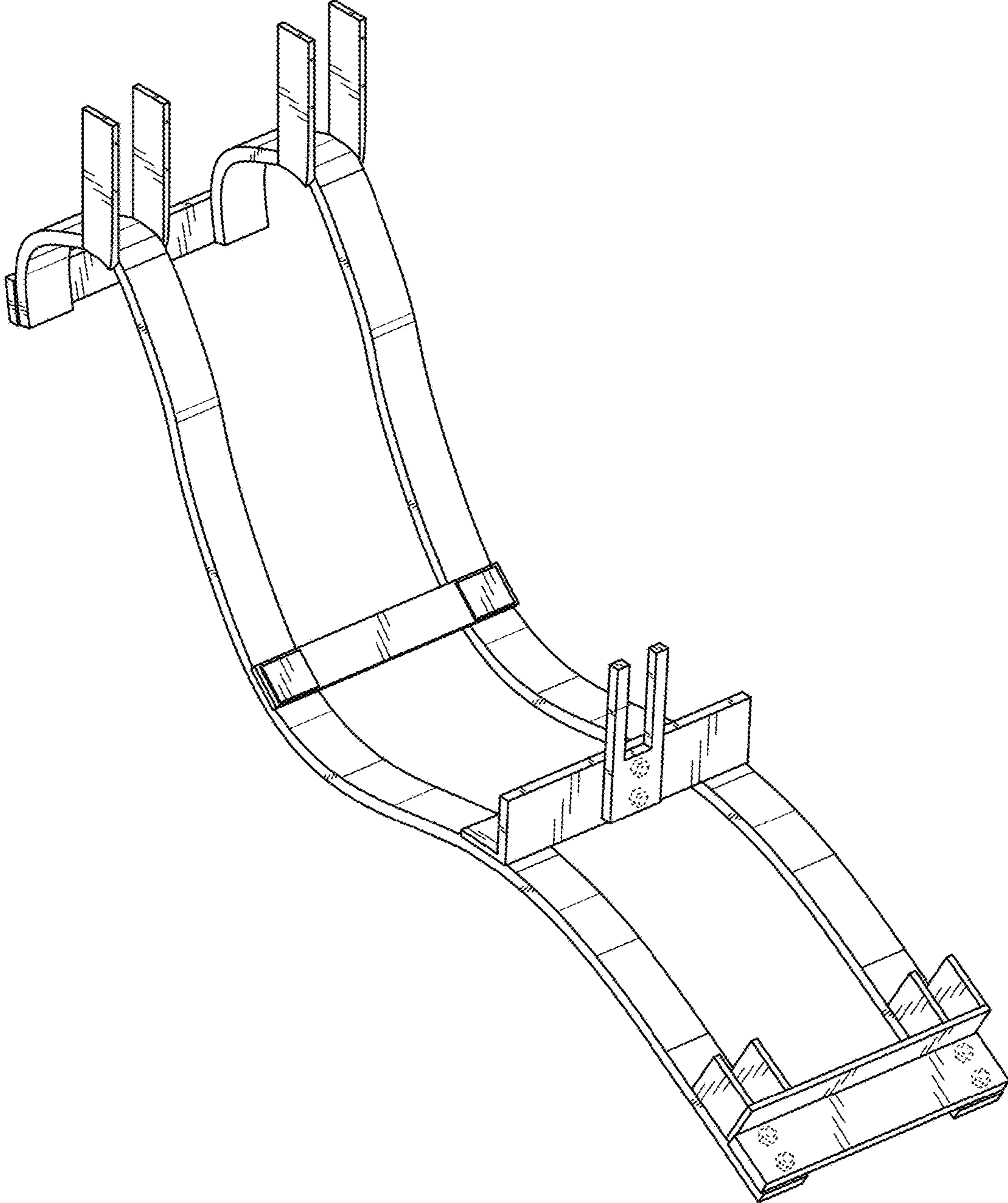


FIG. 1

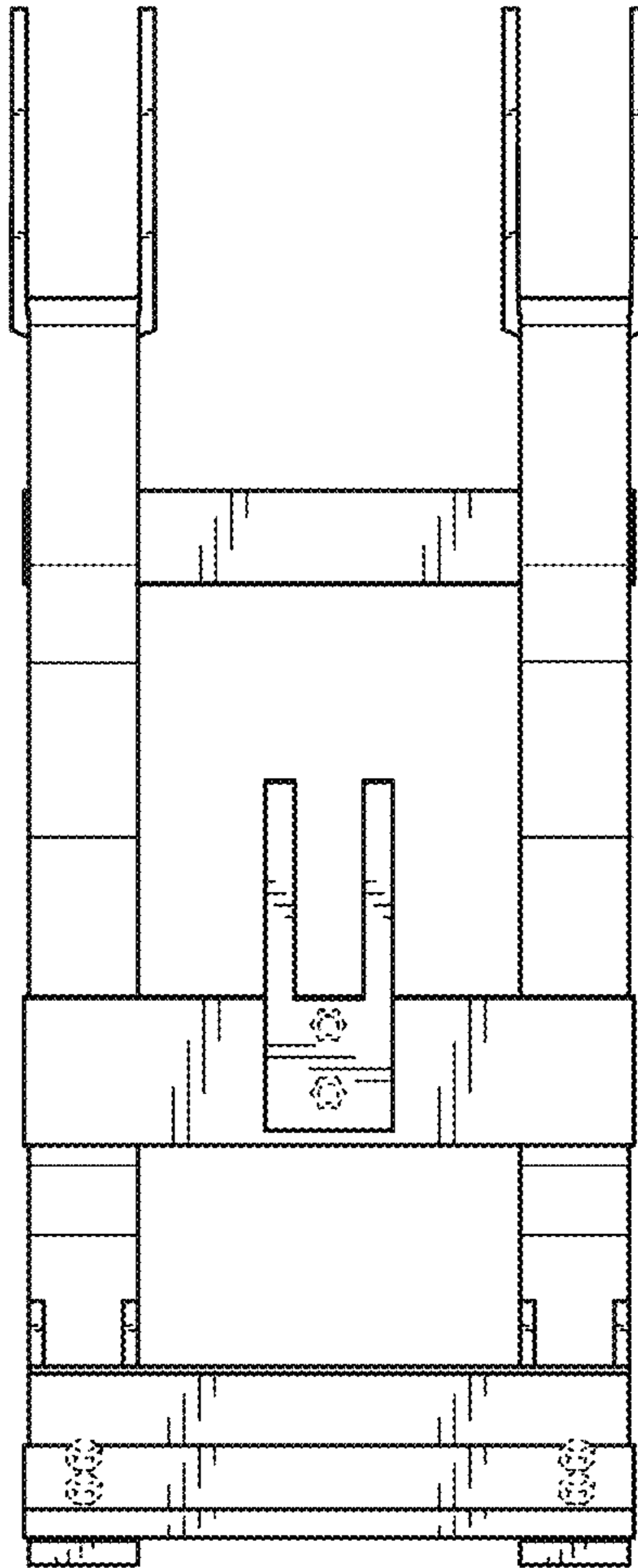


FIG. 2

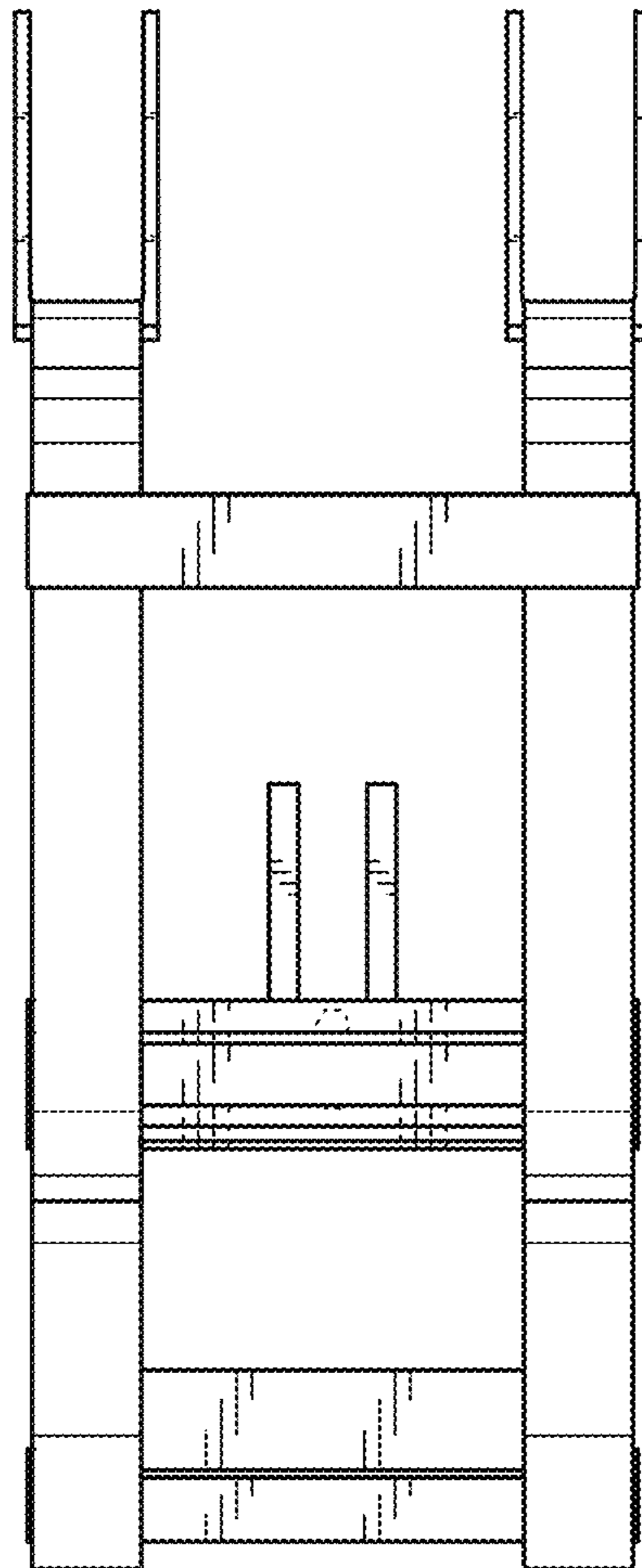


FIG. 3

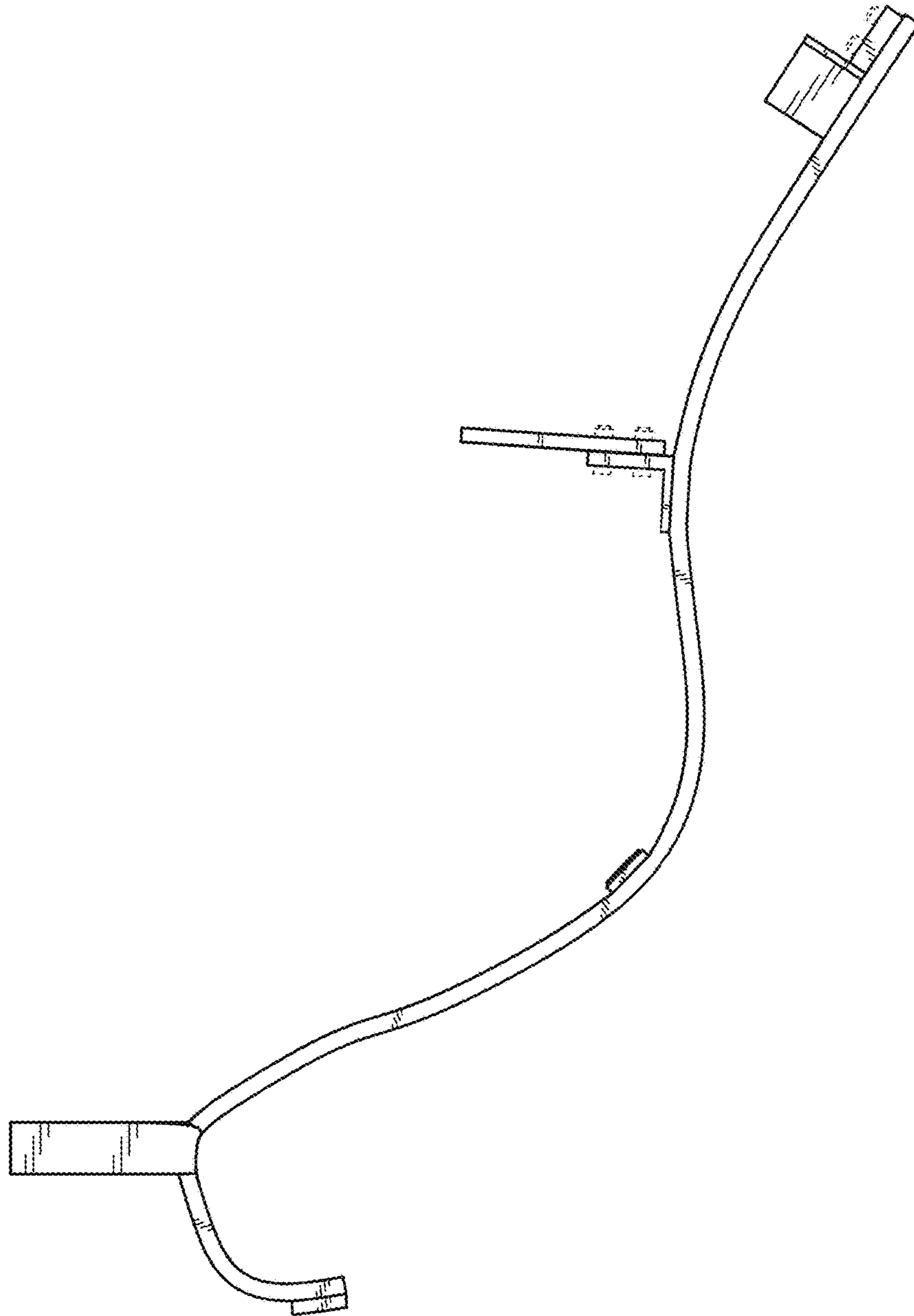


FIG. 4

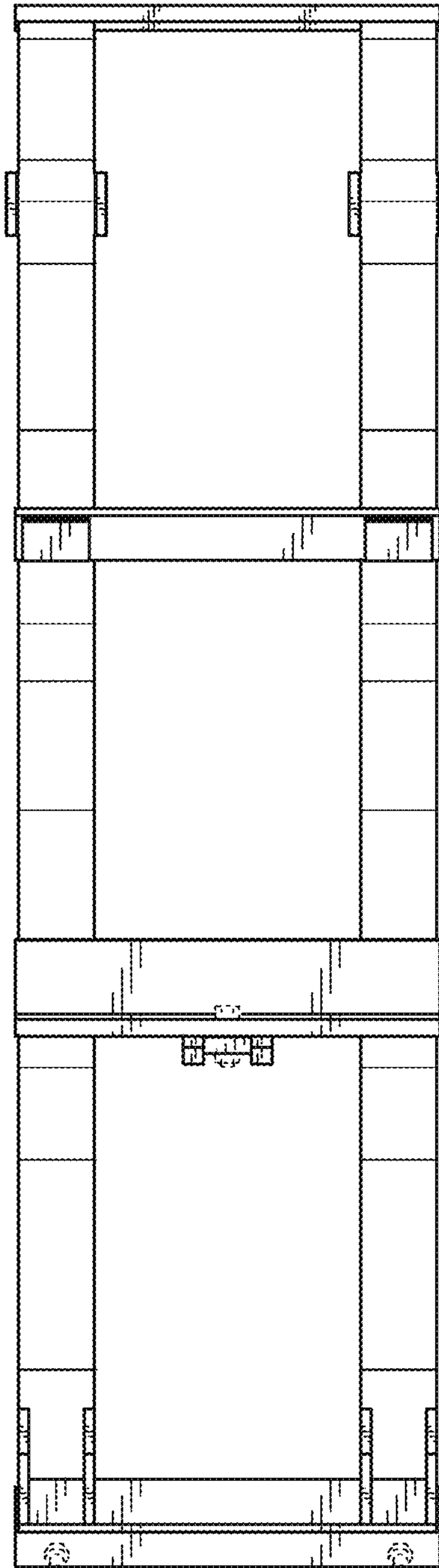


FIG. 5

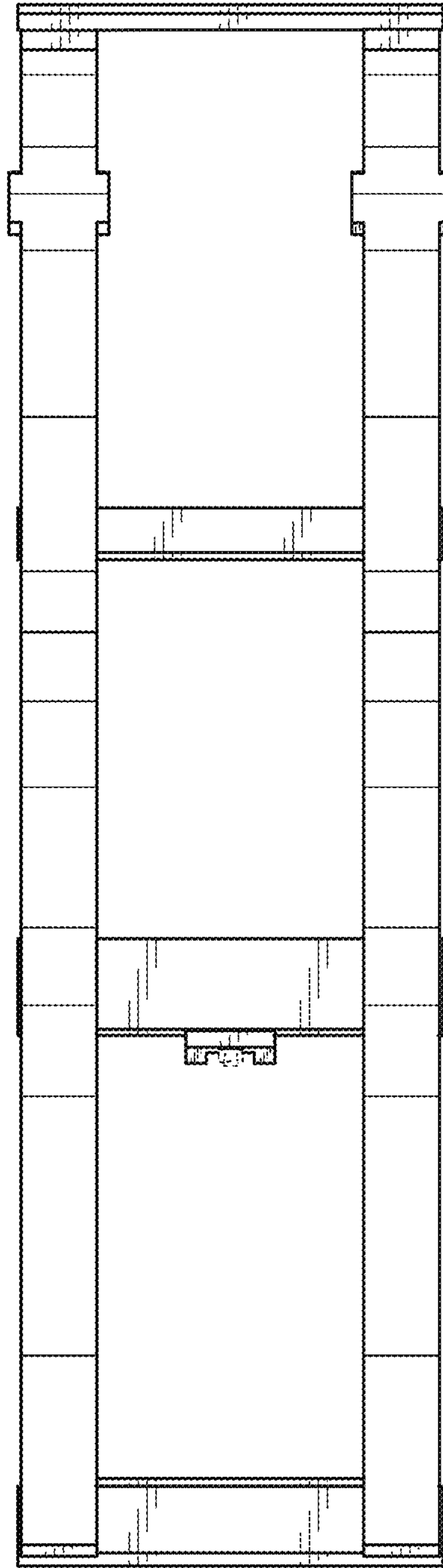


FIG. 6