



US00D775857S

(12) **United States Design Patent**
Kuo

(10) **Patent No.:** **US D775,857 S**

(45) **Date of Patent:** **** Jan. 10, 2017**

(54) **RACK BASE**

(71) Applicant: **Jerry Kuo-Yung Kuo**, Taichung (TW)

(72) Inventor: **Jerry Kuo-Yung Kuo**, Taichung (TW)

(**) Term: **15 Years**

(21) Appl. No.: **29/549,411**

(22) Filed: **Dec. 22, 2015**

(51) **LOC (10) Cl.** **06-04**

(52) **U.S. Cl.**
USPC **D6/550**

(58) **Field of Classification Search**
USPC D6/546-550, 518-524; 242/570, 590,
242/595-598; 211/13.1, 16, 85.5, 86.01,
211/87.01, 88.04, 100, 105.1, 105.2, 106,
211/113, 123, 181.1, 182-183; 248/49,
248/175, 176.1, 200, 201, 205.1, 251,
D8/302, 309.1, 315; 300, 370, 315;
108/28-29
CPC G01N 35/04; G01N 35/0092; Y10T
436/113332; B01L 9/06; B01L 7/52
See application file for complete search history.

(56) **References Cited**

U.S. PATENT DOCUMENTS

D66,320 S * 12/1924 Baker D6/549
D256,865 S * 9/1980 Crowe D6/550
D272,591 S * 2/1984 Shames D6/550

D286,371 S * 10/1986 Shuman D8/373
5,033,196 A * 7/1991 Akin F16M 11/04
101/35
D318,968 S * 8/1991 Poulson D6/550
D412,420 S * 8/1999 Harris D6/524
D550,009 S * 9/2007 Rexach D6/524
D554,403 S * 11/2007 Xiao D6/524
D563,131 S * 3/2008 Ricereto D6/524
D579,251 S * 10/2008 Dolan D6/550
D580,202 S * 11/2008 Dolan D6/549
D707,056 S * 6/2014 Gilbert D6/524

* cited by examiner

Primary Examiner — David Muller
Assistant Examiner — Nathan Johnston
(74) *Attorney, Agent, or Firm* — LeClairRyan

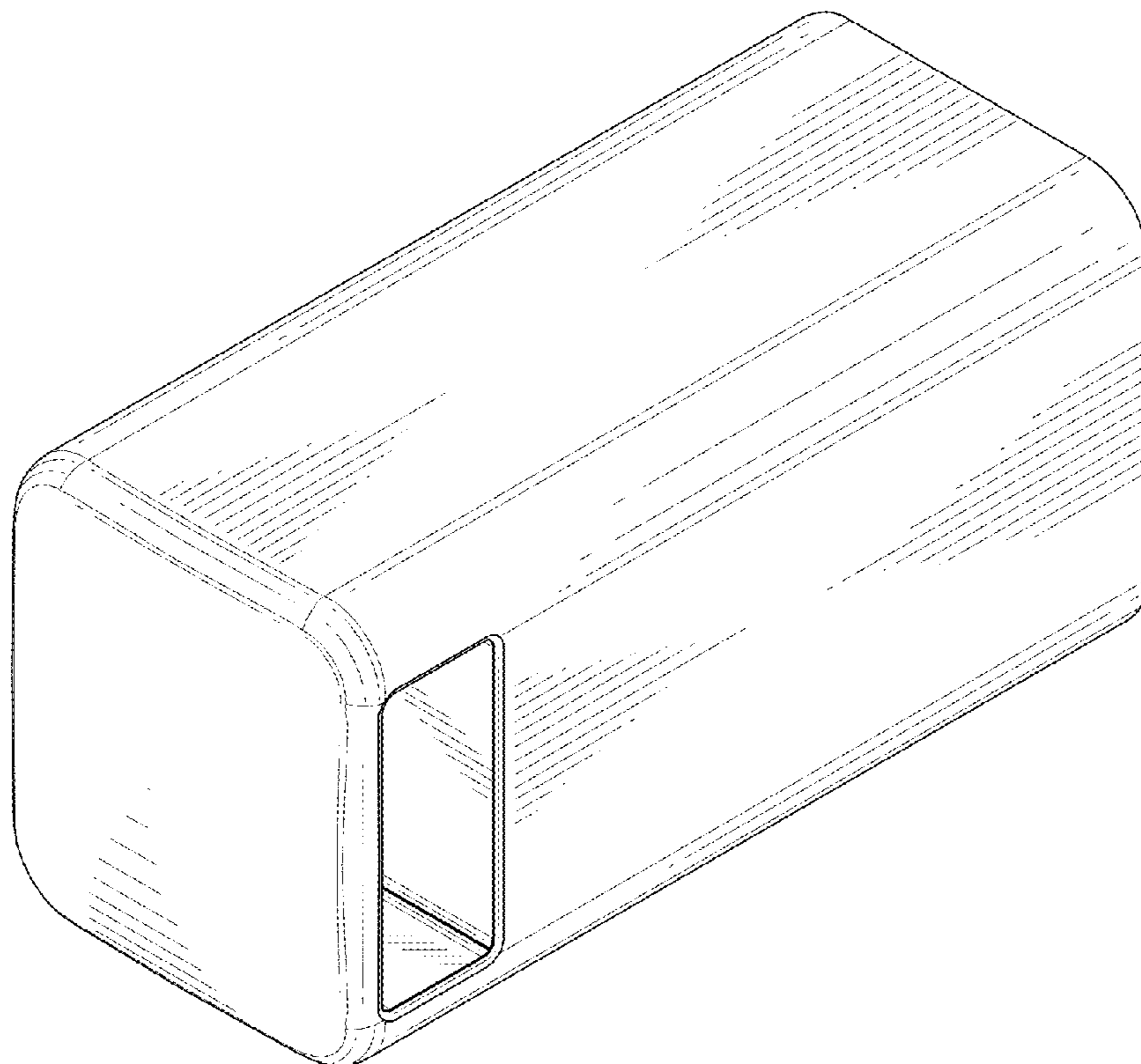
(57) **CLAIM**

The ornamental design for a rack base, as shown and described.

DESCRIPTION

FIG. 1 is a perspective view of the rack base showing my new design;
FIG. 2 is a front elevational view thereof;
FIG. 3 is a left elevational view thereof;
FIG. 4 is a right side elevational view thereof;
FIG. 5 is a top plan view thereof;
FIG. 6 is a bottom plan view thereof; and,
FIG. 7 is a perspective view of the design in state of use.
The broken lines are for illustrating environment structure only and form no part of the claimed design.

1 Claim, 7 Drawing Sheets



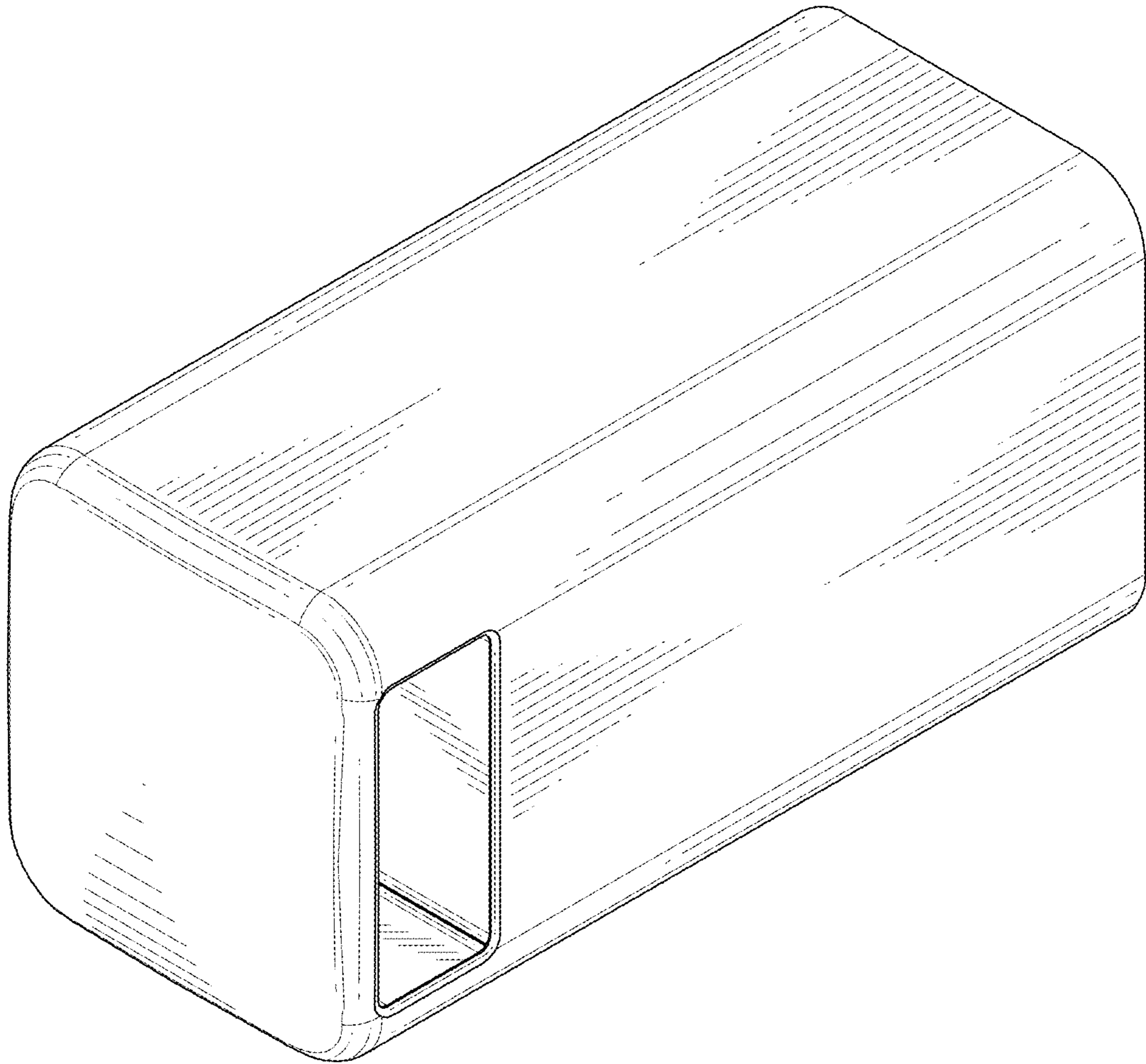


FIG.1

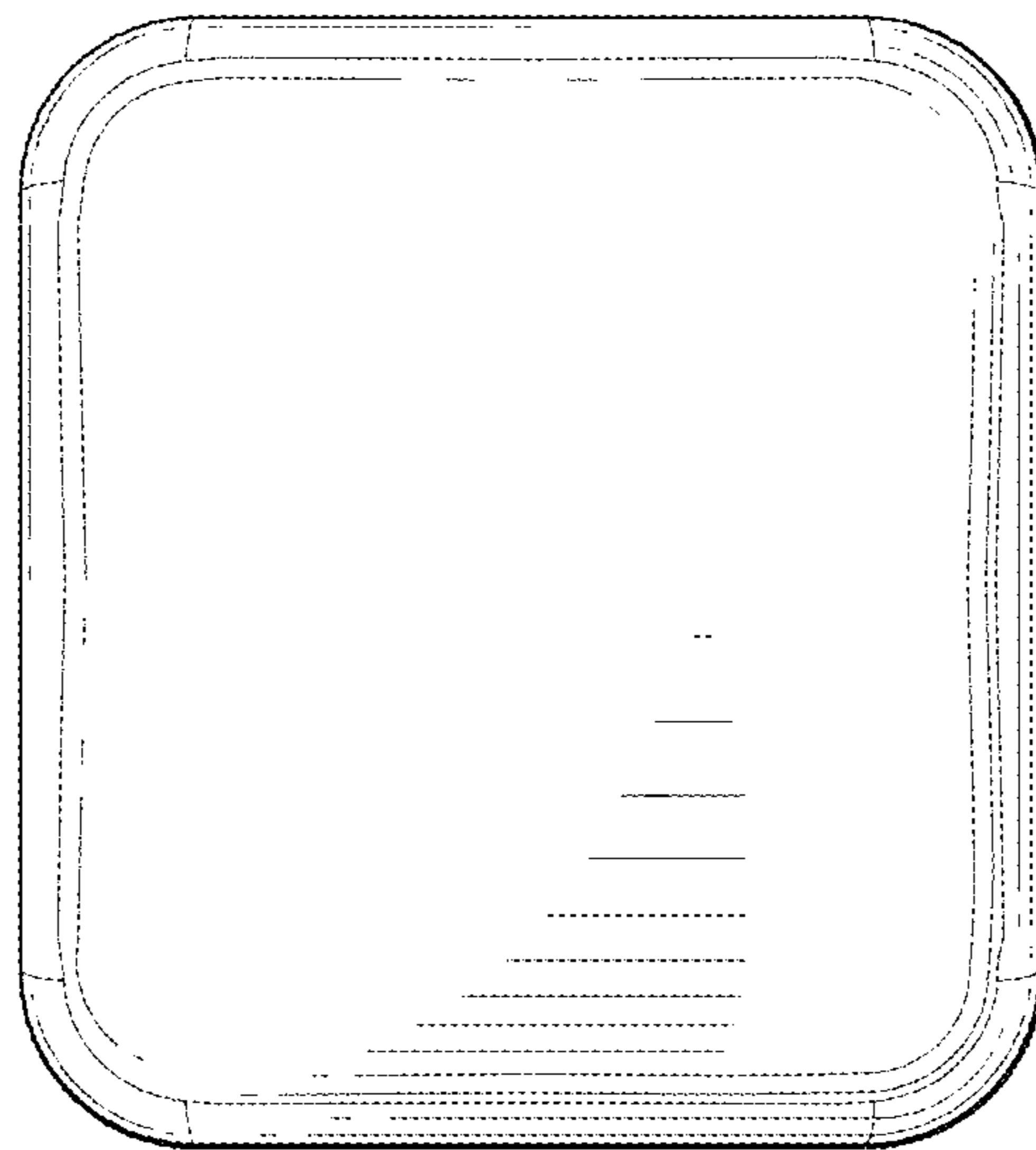


FIG.2

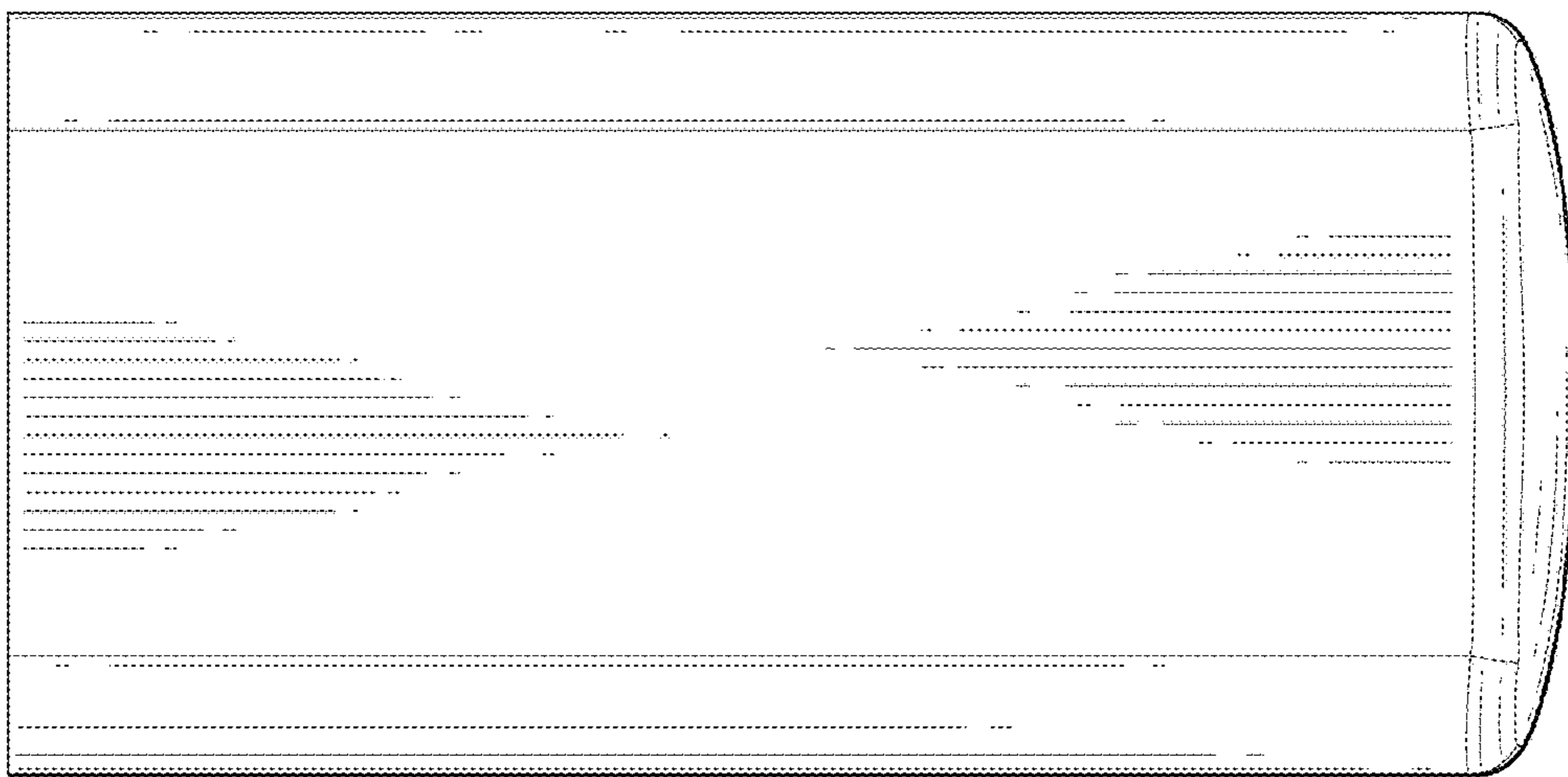


FIG.3

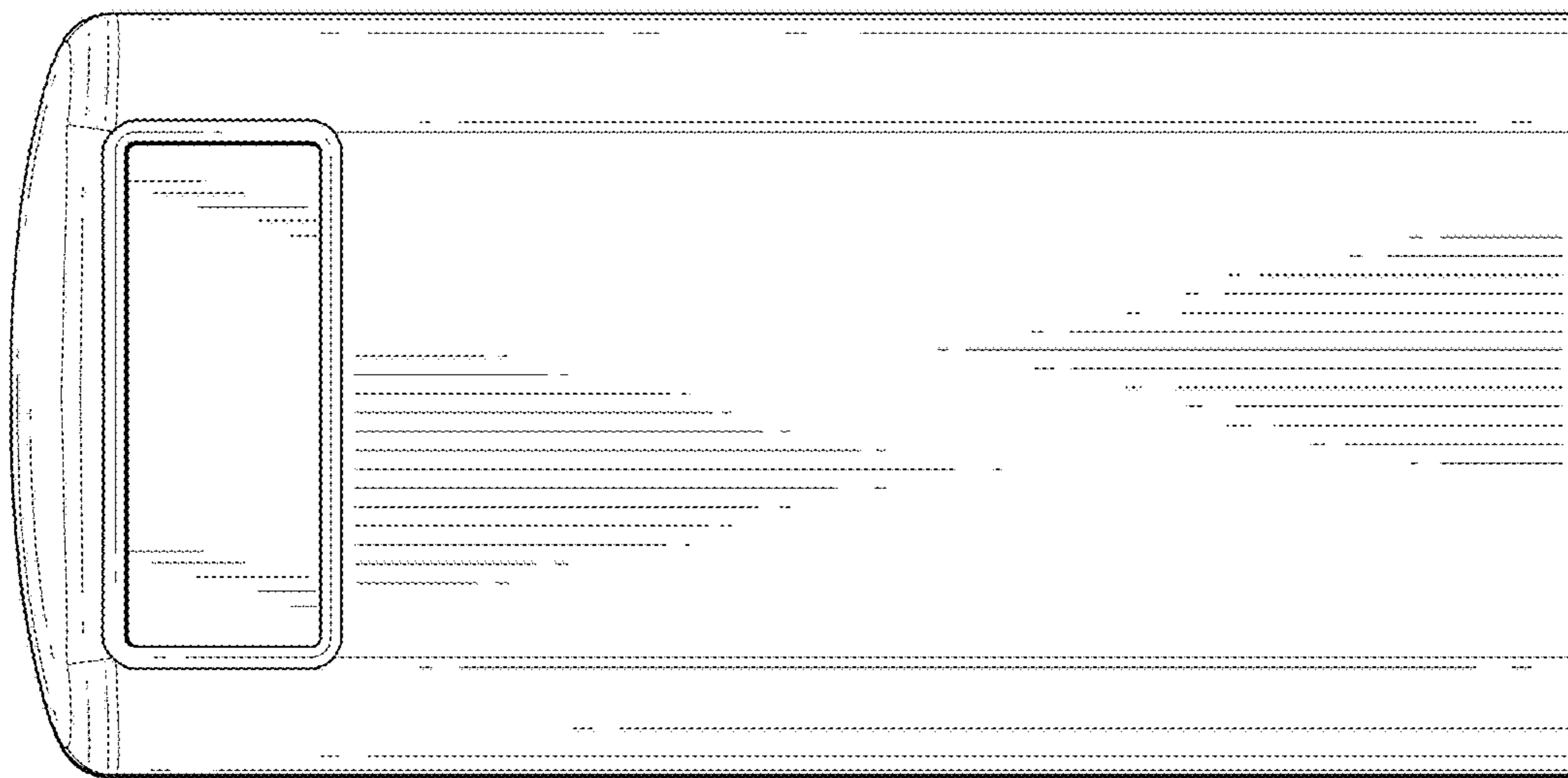


FIG.4

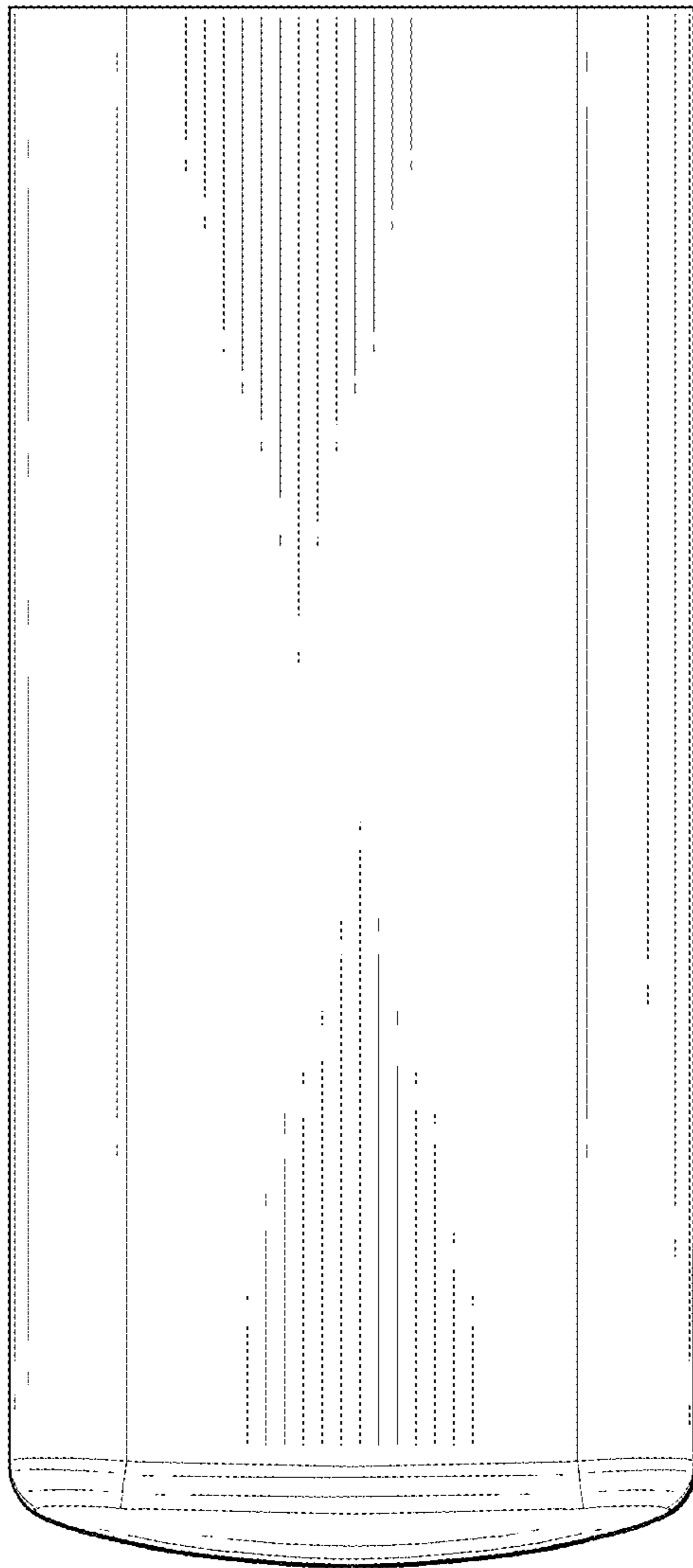


FIG. 5

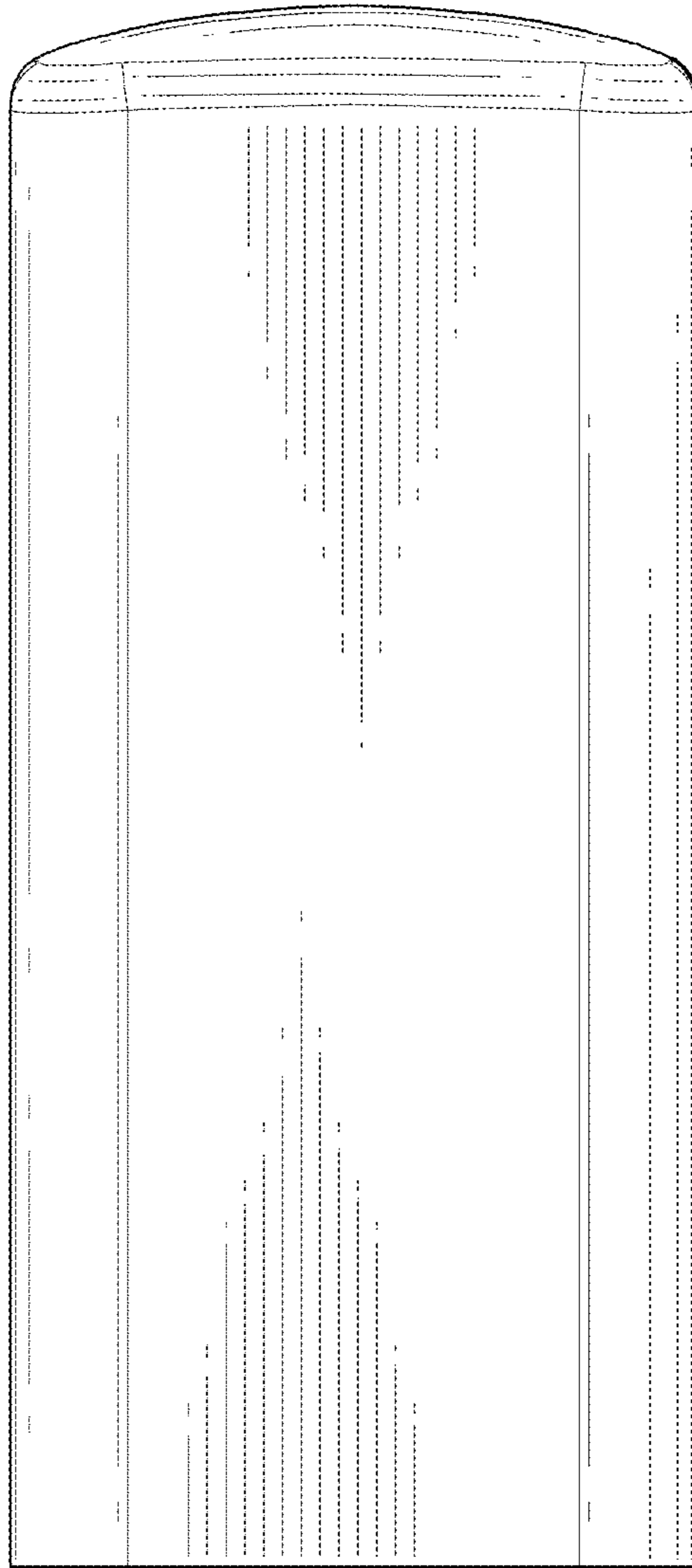


FIG.6

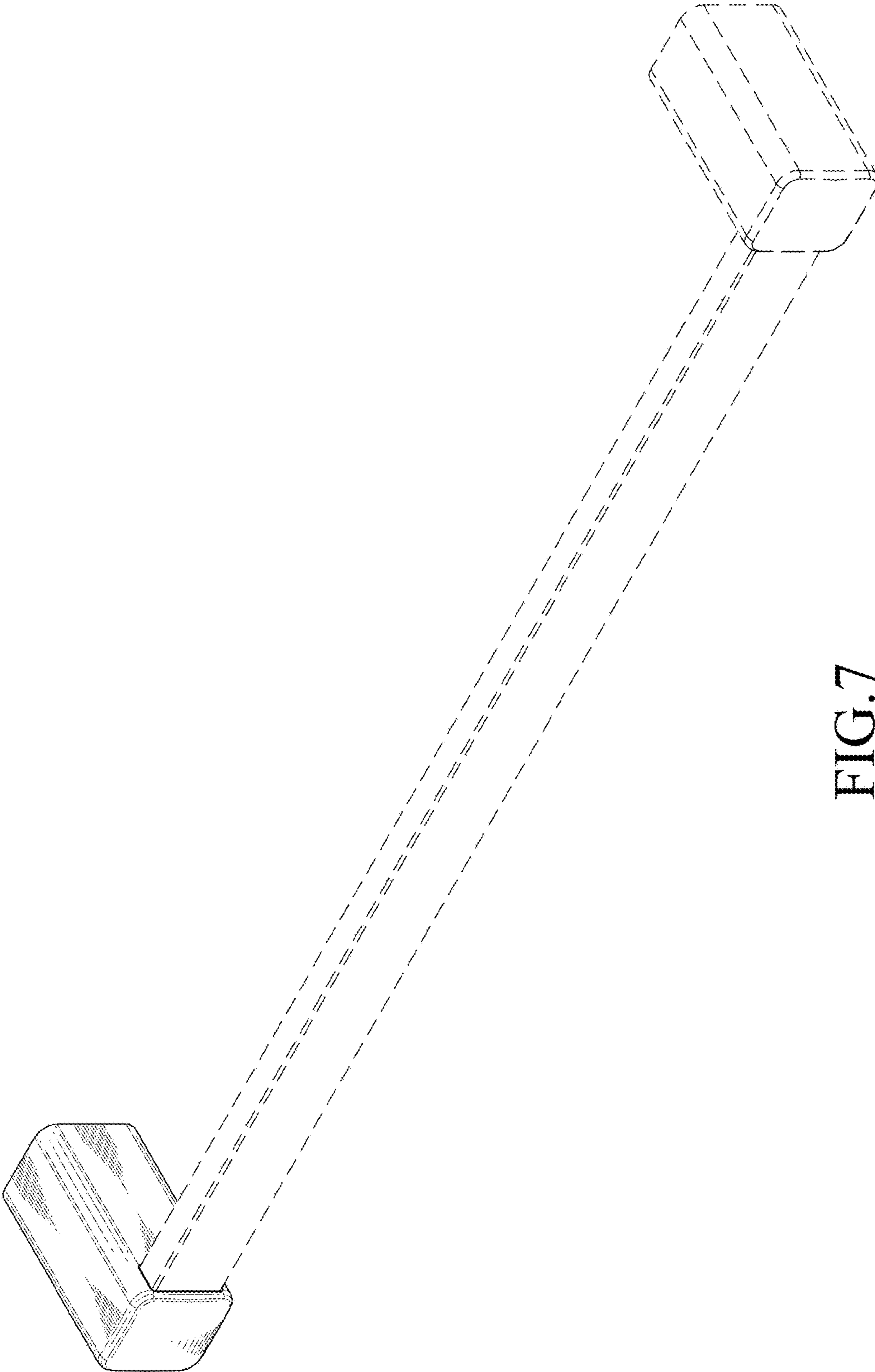


FIG. 7