



US00D775856S

(12) **United States Design Patent**  
**Kuo**

(10) **Patent No.:** **US D775,856 S**

(45) **Date of Patent:** **\*\* Jan. 10, 2017**

(54) **RACK BASE**

(71) Applicant: **Jerry Kuo-Yung Kuo**, Taichung (TW)

(72) Inventor: **Jerry Kuo-Yung Kuo**, Taichung (TW)

(\*\*) Term: **15 Years**

(21) Appl. No.: **29/549,400**

(22) Filed: **Dec. 22, 2015**

(51) **LOC (10) Cl.** ..... **06-04**

(52) **U.S. Cl.**  
USPC ..... **D6/550**

(58) **Field of Classification Search**  
USPC ..... D6/546-550, 518-524; 242/570, 590,  
242/595-598; 211/13.1, 16, 85.5, 86.01,  
211/87.01, 88.04, 100, 105.1, 105.2, 106,  
211/113, 123, 181.1, 182-183; 248/49,  
248/175, 176.1, 200, 201, 205.1, 251,  
248/302, 309.1, 315; D8/300, 370, 315;  
D8/108/28-29  
CPC ..... G01N 35/04; G01N 35/0092; Y10T  
436/113332; B01L 9/06; B01L 7/52  
See application file for complete search history.

(56) **References Cited**

**U.S. PATENT DOCUMENTS**

D66,320 S \* 12/1924 Baker ..... D6/549  
D256,865 S \* 9/1980 Crowe ..... D6/550  
D272,591 S \* 2/1984 Shames ..... D6/550

D286,371 S \* 10/1986 Shuman ..... D8/373  
5,033,196 A \* 7/1991 Akin ..... F16M 11/04  
101/35  
D318,968 S \* 8/1991 Poulson ..... D6/550  
D412,420 S \* 8/1999 Harris ..... D6/524  
D550,009 S \* 9/2007 Rexach ..... D6/524  
D554,403 S \* 11/2007 Xiao ..... D6/524  
D563,131 S \* 3/2008 Ricereto ..... D6/524  
D579,251 S \* 10/2008 Dolan ..... D6/550  
D580,202 S \* 11/2008 Dolan ..... D6/549  
D707,056 S \* 6/2014 Gilbert ..... D6/524

\* cited by examiner

*Primary Examiner* — David Muller  
*Assistant Examiner* — Nathan Johnston  
(74) *Attorney, Agent, or Firm* — LeClairRyan

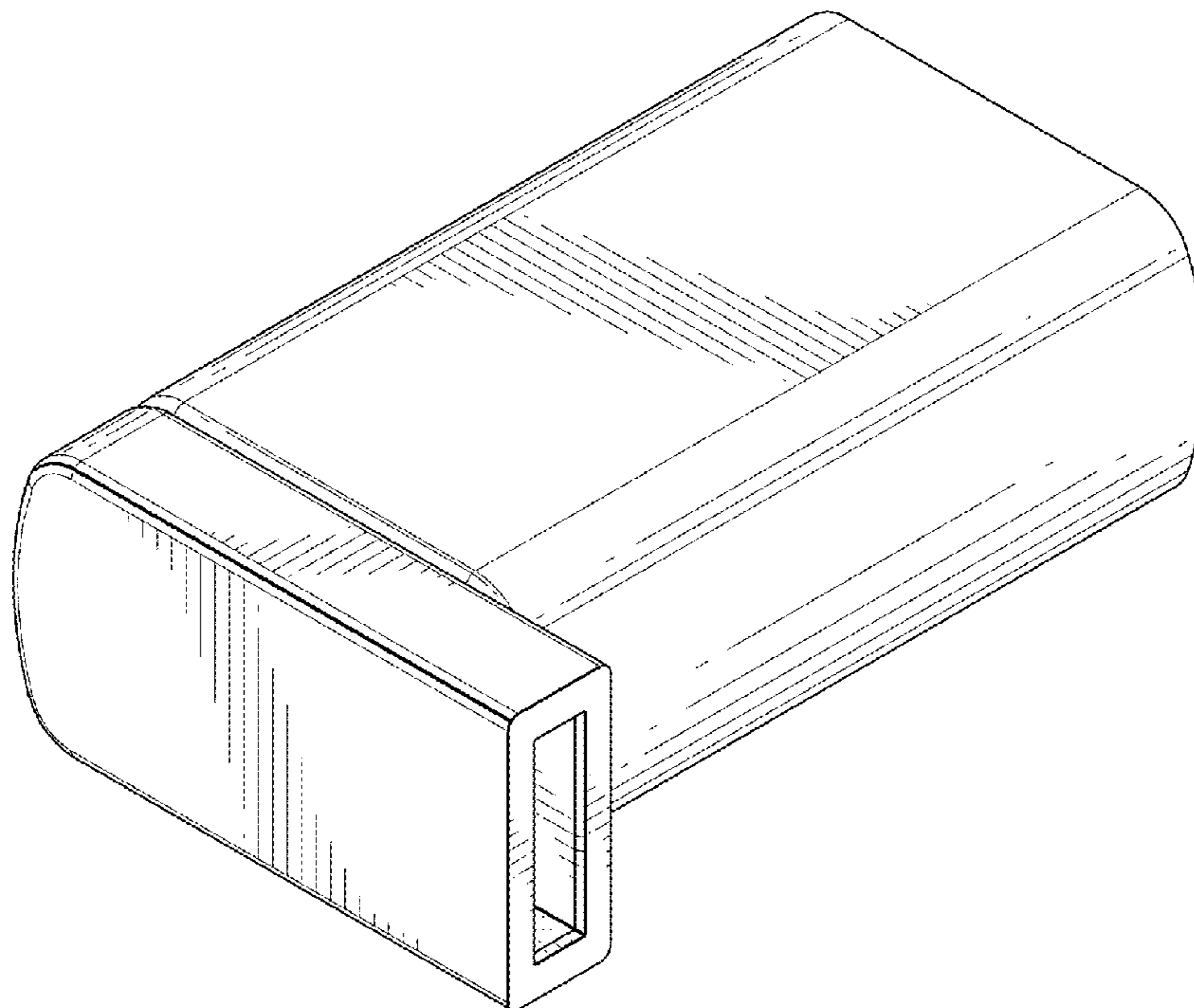
(57) **CLAIM**

The ornamental design for a rack base, as shown and described.

**DESCRIPTION**

FIG. 1 is a perspective view of the rack base showing my new design;  
FIG. 2 is a front elevational view thereof;  
FIG. 3 is a left elevational view thereof;  
FIG. 4 is a right side elevational view thereof;  
FIG. 5 is a top plan view thereof;  
FIG. 6 is a bottom plan view thereof; and,  
FIG. 7 is a perspective view of the design in state of use.  
The broken lines are for illustrating environment structure only and form no part of the claimed design.

**1 Claim, 7 Drawing Sheets**



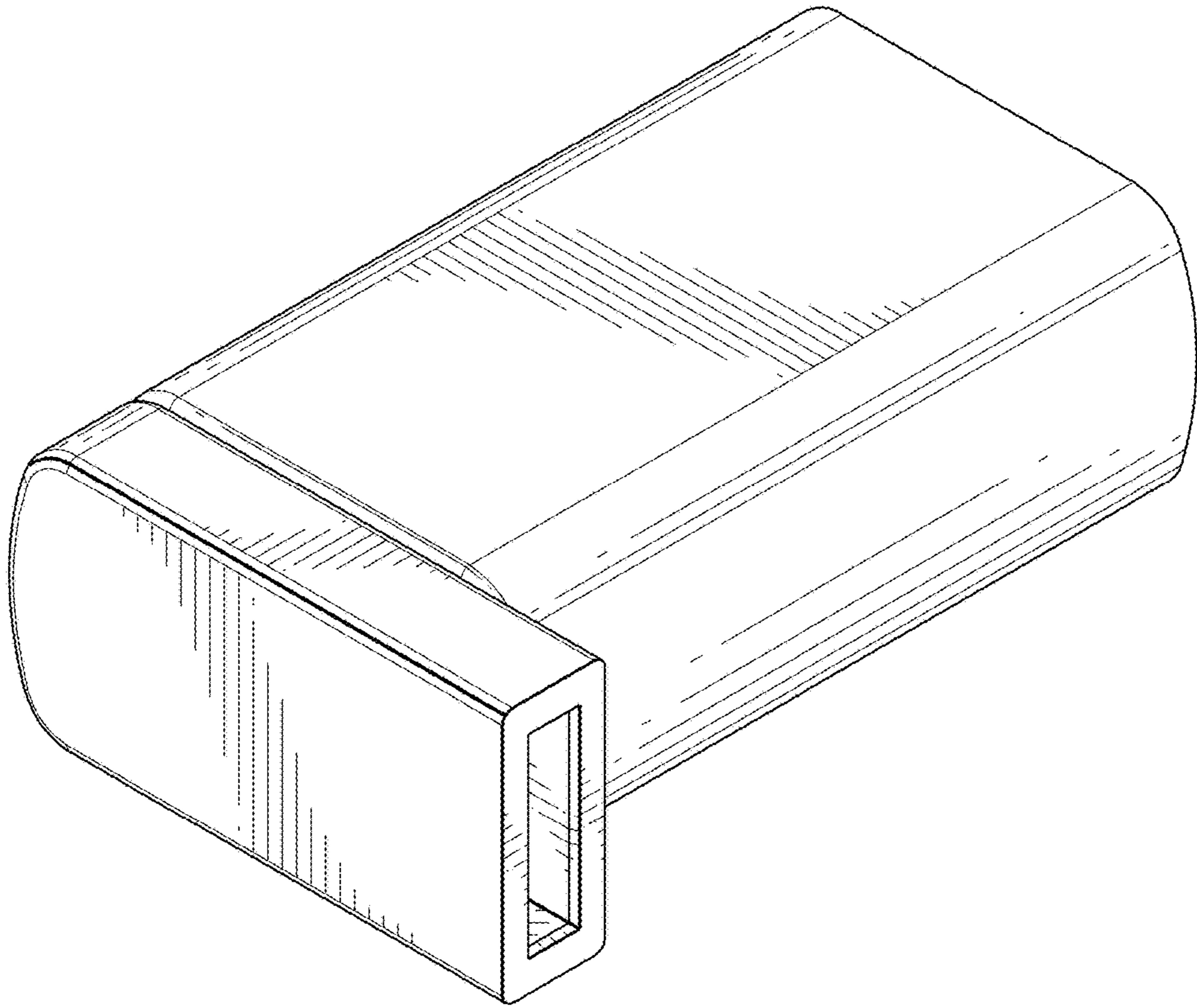


FIG.1

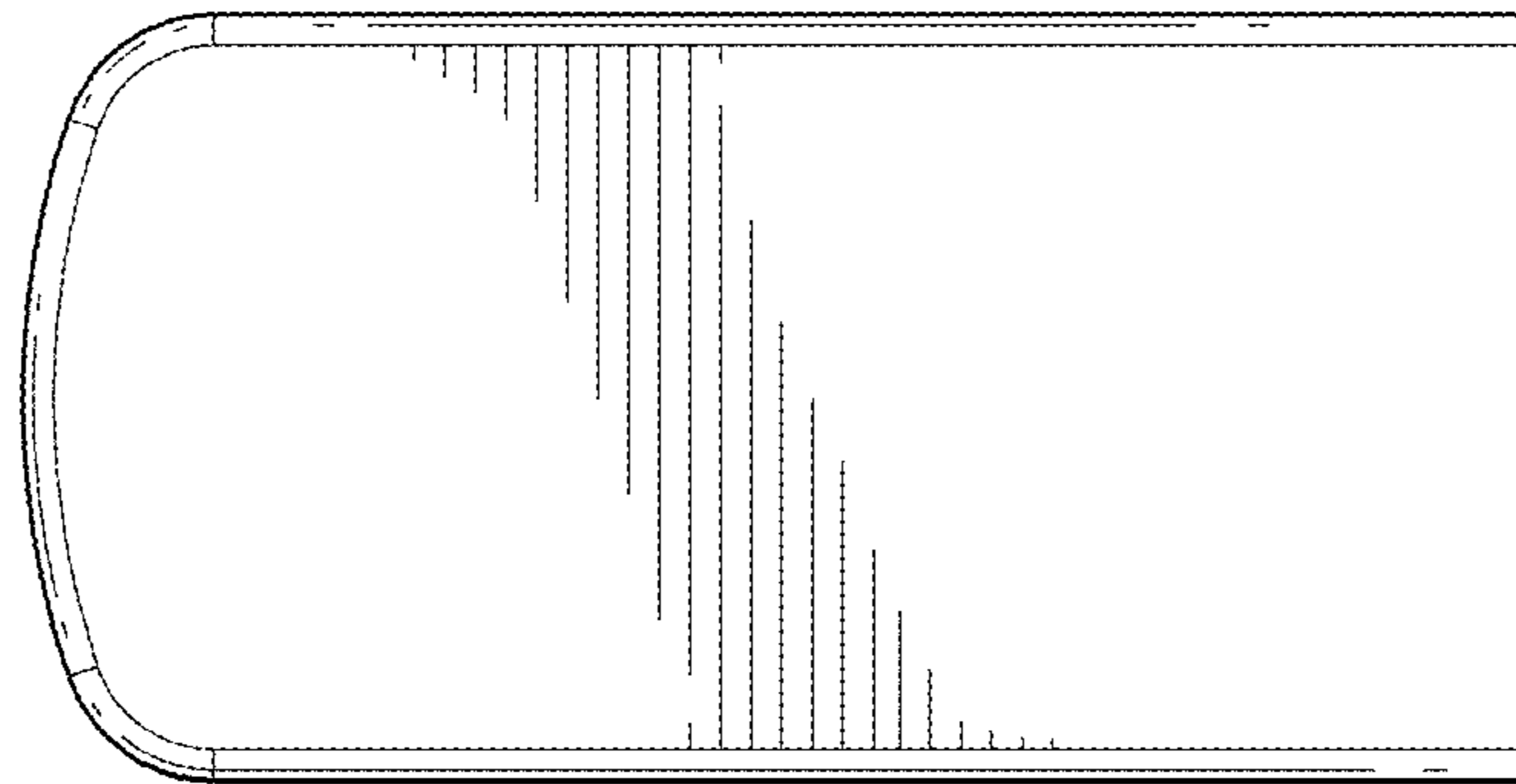


FIG.2

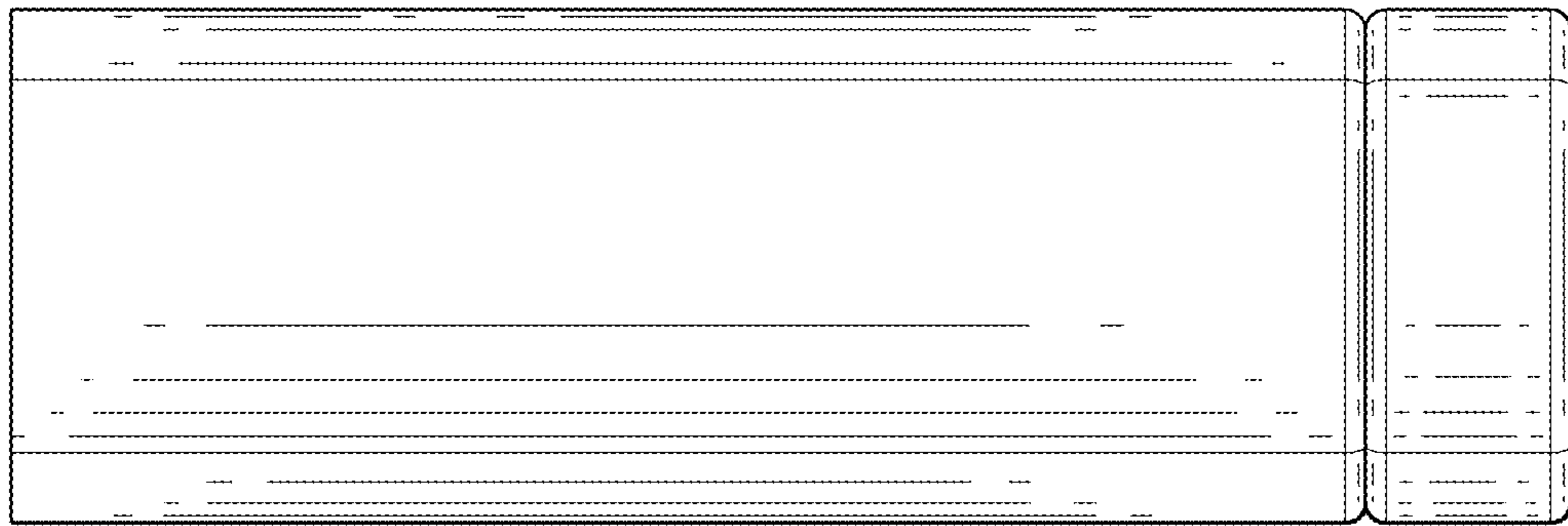


FIG.3

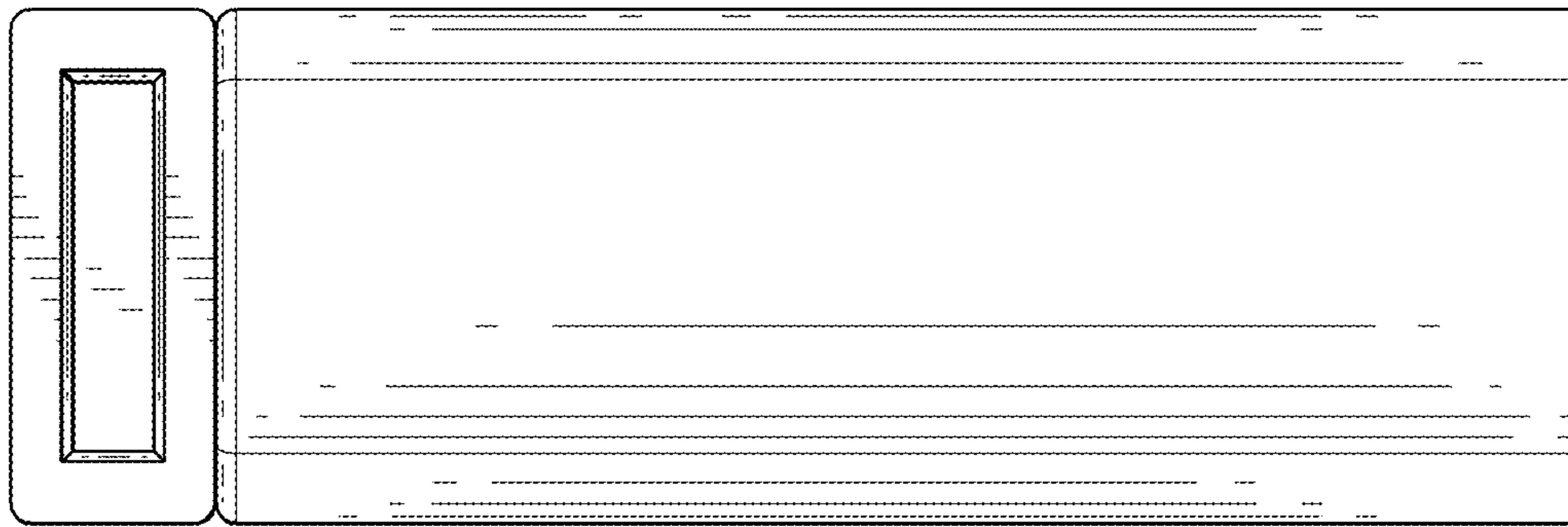


FIG.4

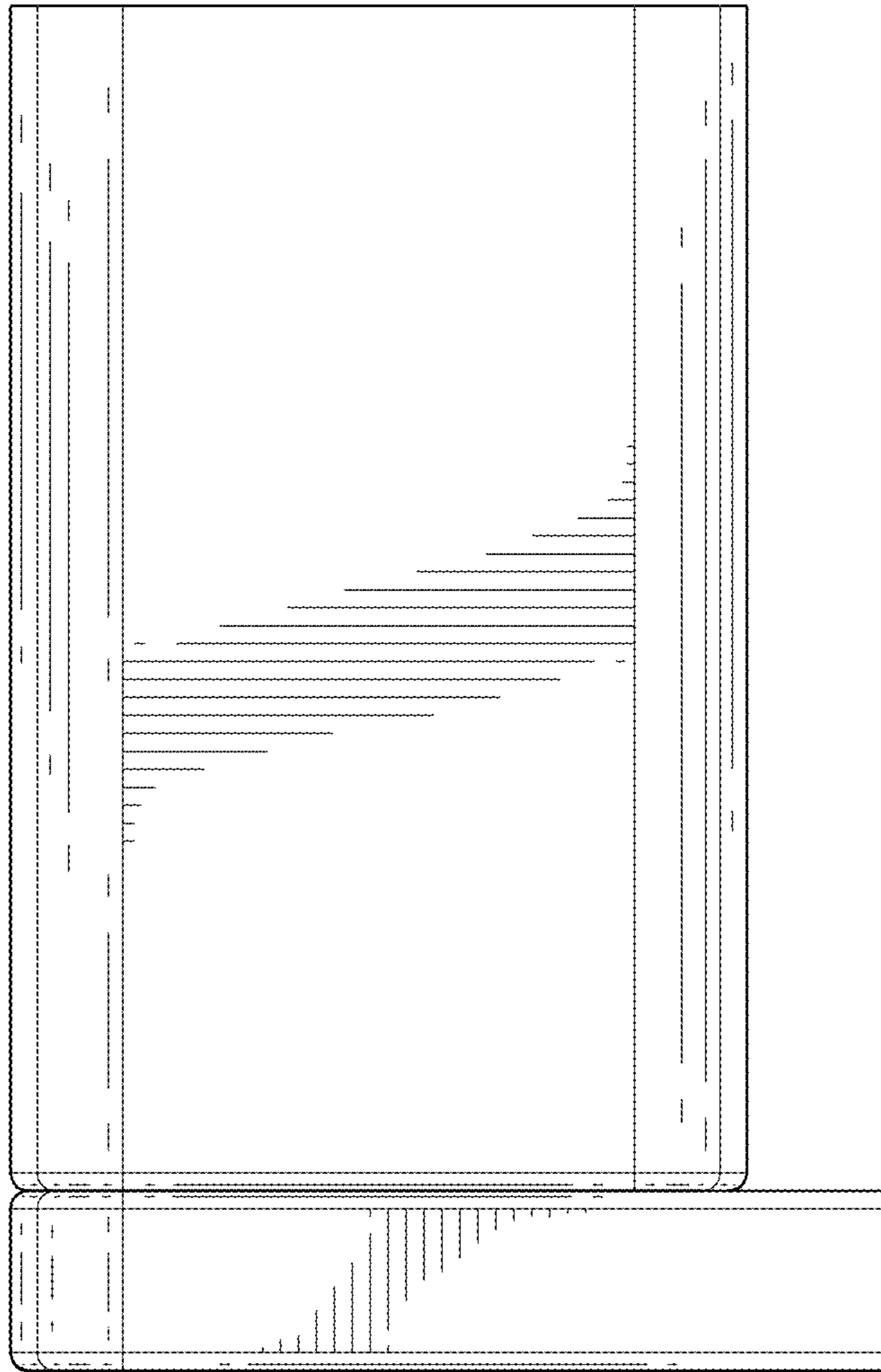


FIG. 5

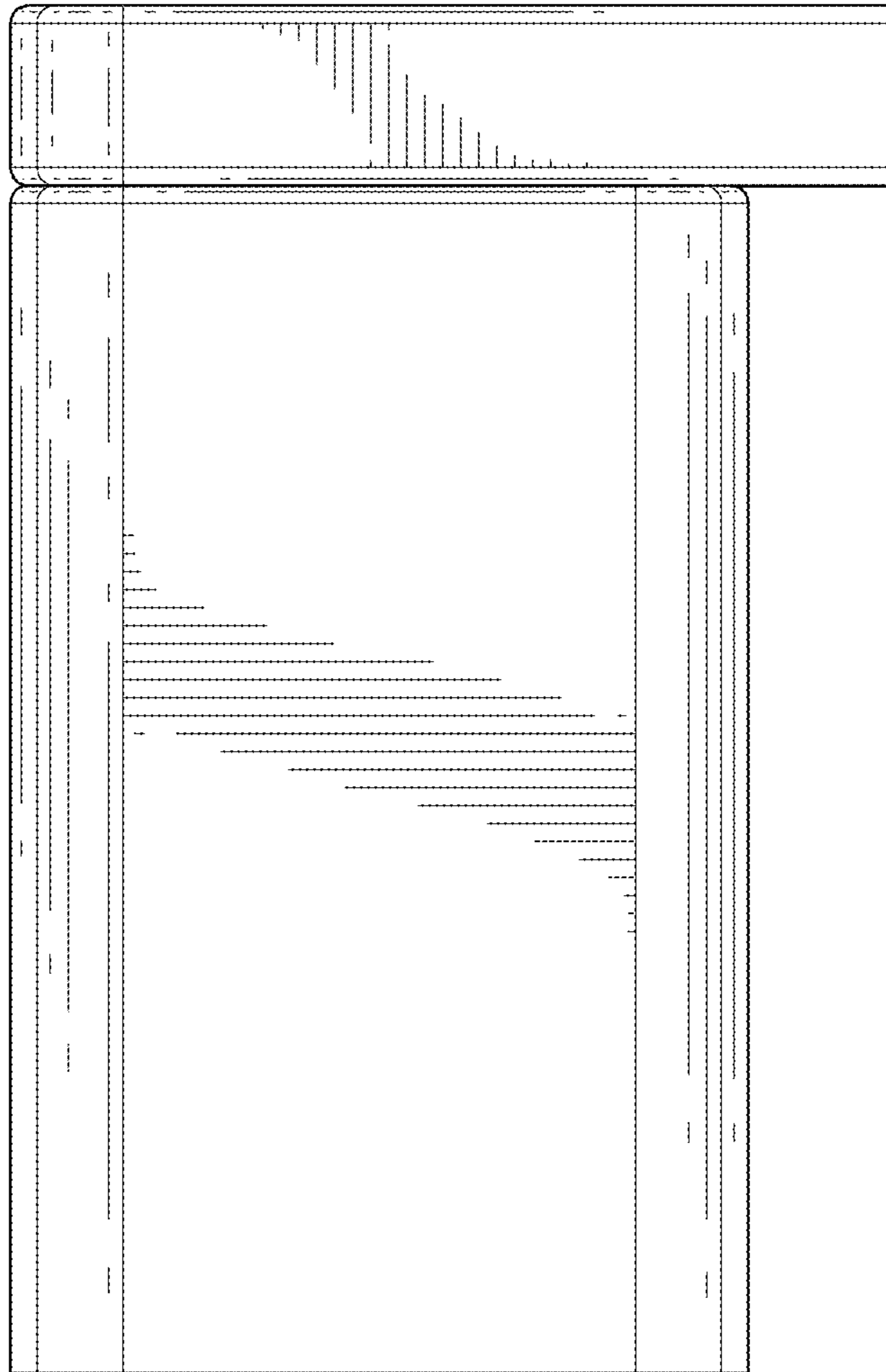


FIG.6

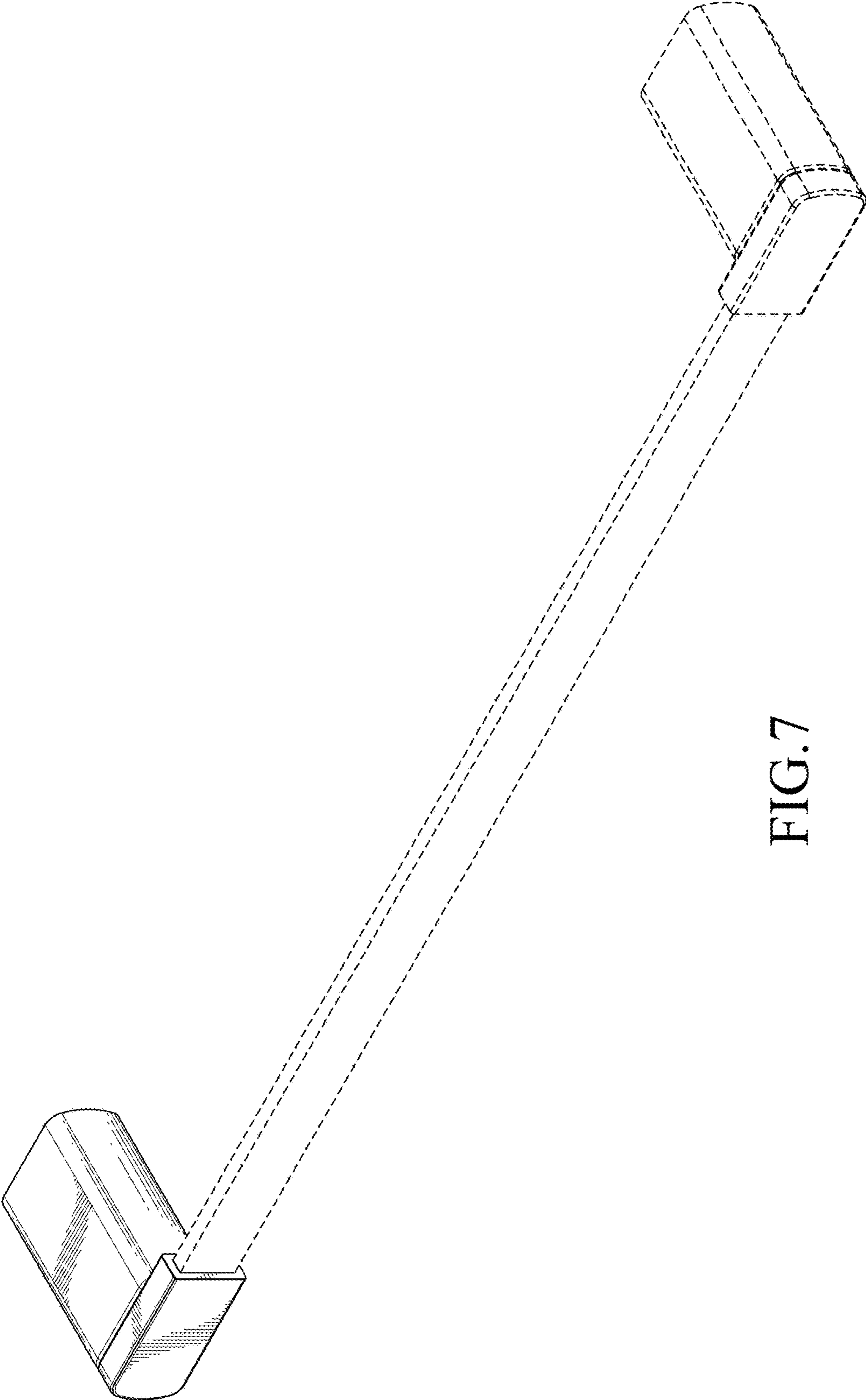


FIG. 7