



US00D775855S

(12) **United States Design Patent**
Kuo

(10) **Patent No.:** **US D775,855 S**

(45) **Date of Patent:** **** Jan. 10, 2017**

(54) **RACK BASE**

(71) Applicant: **Jerry Kuo-Yung Kuo**, Taichung (TW)

(72) Inventor: **Jerry Kuo-Yung Kuo**, Taichung (TW)

(**) Term: **15 Years**

(21) Appl. No.: **29/549,392**

(22) Filed: **Dec. 22, 2015**

(51) **LOC (10) Cl.** **06-04**

(52) **U.S. Cl.**
USPC **D6/550**

(58) **Field of Classification Search**

USPC D6/546-550, 518-524; 242/570, 590,
242/595-598; 211/13.1, 16, 85.5, 86.01,
211/87.01, 88.04, 100, 105.1, 105.2, 106,
211/113, 123, 181.1, 182-183; 248/49,
248/175, 176.1, 200, 201, 205.1, 251,
248/302, 309.1, 315; D8/300, 370, 315;
108/28-29

CPC G01N 35/04; G01N 35/0092; Y10T
436/113332; B01L 9/06; B01L 7/52

See application file for complete search history.

(56) **References Cited**

U.S. PATENT DOCUMENTS

D341,191 S	*	11/1993	Klose	D23/223
D398,176 S	*	9/1998	Moore	D6/550
D400,036 S	*	10/1998	Moore	D6/550
D409,032 S	*	5/1999	Kuo	D6/546
D451,739 S	*	12/2001	Yeh	D6/550
D454,742 S	*	3/2002	Meck	D6/549
D458,786 S	*	6/2002	Meck	D6/523
D467,109 S	*	12/2002	Yegyayan	D6/524
D478,754 S	*	8/2003	Moore	D6/524
D481,569 S	*	11/2003	Cummings	D6/524
D498,377 S	*	11/2004	Pan	D6/524

D499,290 S	*	12/2004	Lai	D6/524
D515,861 S	*	2/2006	Wu	D6/550
D516,354 S	*	3/2006	Sedwick	D6/550
D516,851 S	*	3/2006	Gilbert	D6/550
D533,384 S	*	12/2006	Gilbert	D6/550
D544,263 S	*	6/2007	Kakihana	D6/524
D546,606 S	*	7/2007	Berberet	D6/524
7,367,535 B2	*	5/2008	Lai	A47K 10/10 211/105.1
D575,565 S	*	8/2008	Gilbert	D6/524
D600,479 S	*	9/2009	Gao	D6/524
D606,790 S	*	12/2009	Yoo	D6/524
D606,792 S	*	12/2009	Yoo	D6/549
D655,961 S	*	3/2012	Kemp	D6/524
D661,532 S	*	6/2012	Chen	D6/550
D693,596 S	*	11/2013	Zeng	D6/524

* cited by examiner

Primary Examiner — David Muller

Assistant Examiner — Nathan Johnston

(74) *Attorney, Agent, or Firm* — LeClairRyan

(57) **CLAIM**

The ornamental design for a rack base, as shown and described.

DESCRIPTION

FIG. 1 is a perspective view of the rack base showing my new design;

FIG. 2 is a front elevational view thereof;

FIG. 3 is a left elevational view thereof;

FIG. 4 is a right side elevational view thereof;

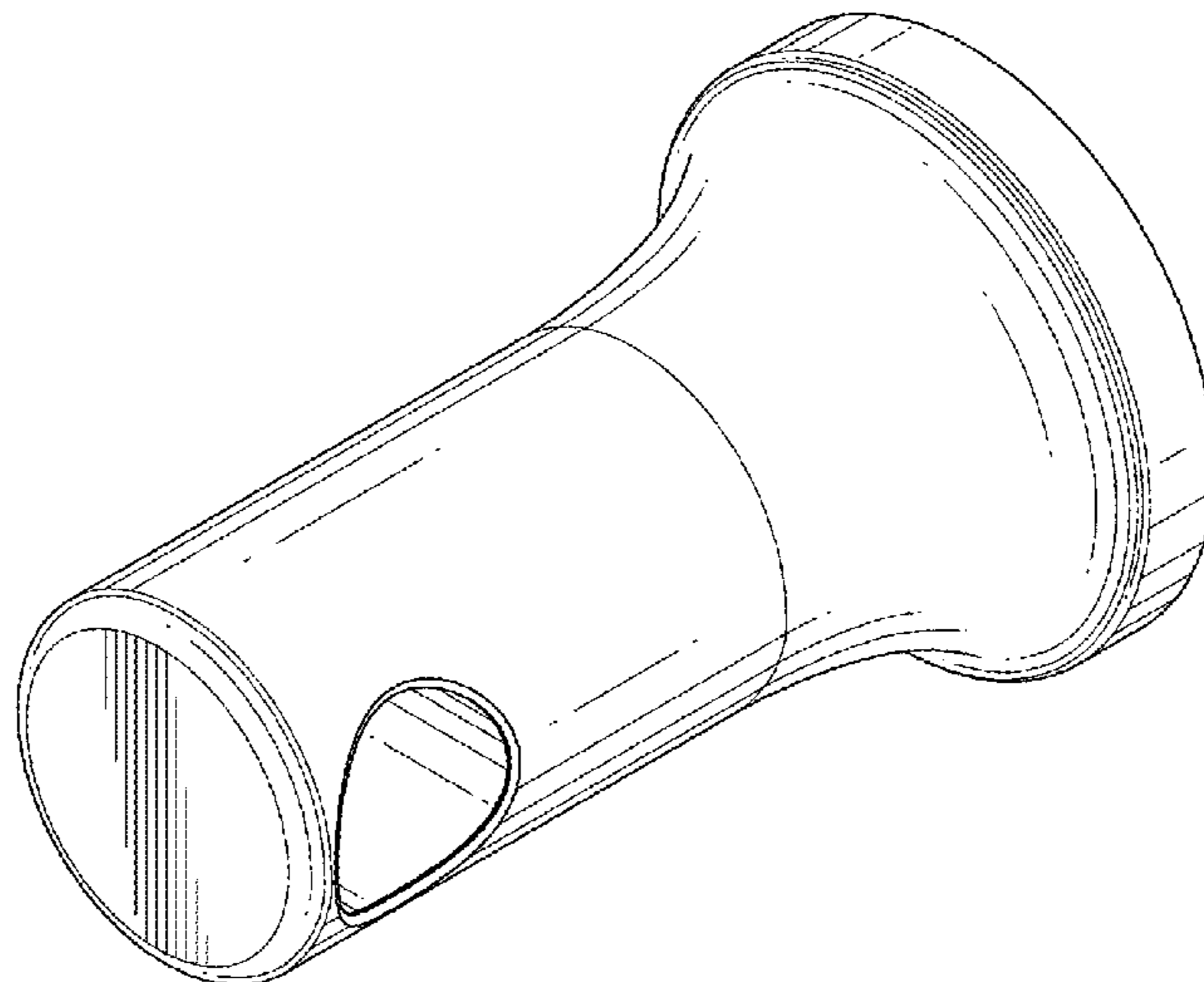
FIG. 5 is a top plan view thereof;

FIG. 6 is a bottom plan view thereof; and,

FIG. 7 is a perspective view of the design in state of use.

The broken lines are for illustrating environment structure only and form no part of the claimed design.

1 Claim, 7 Drawing Sheets



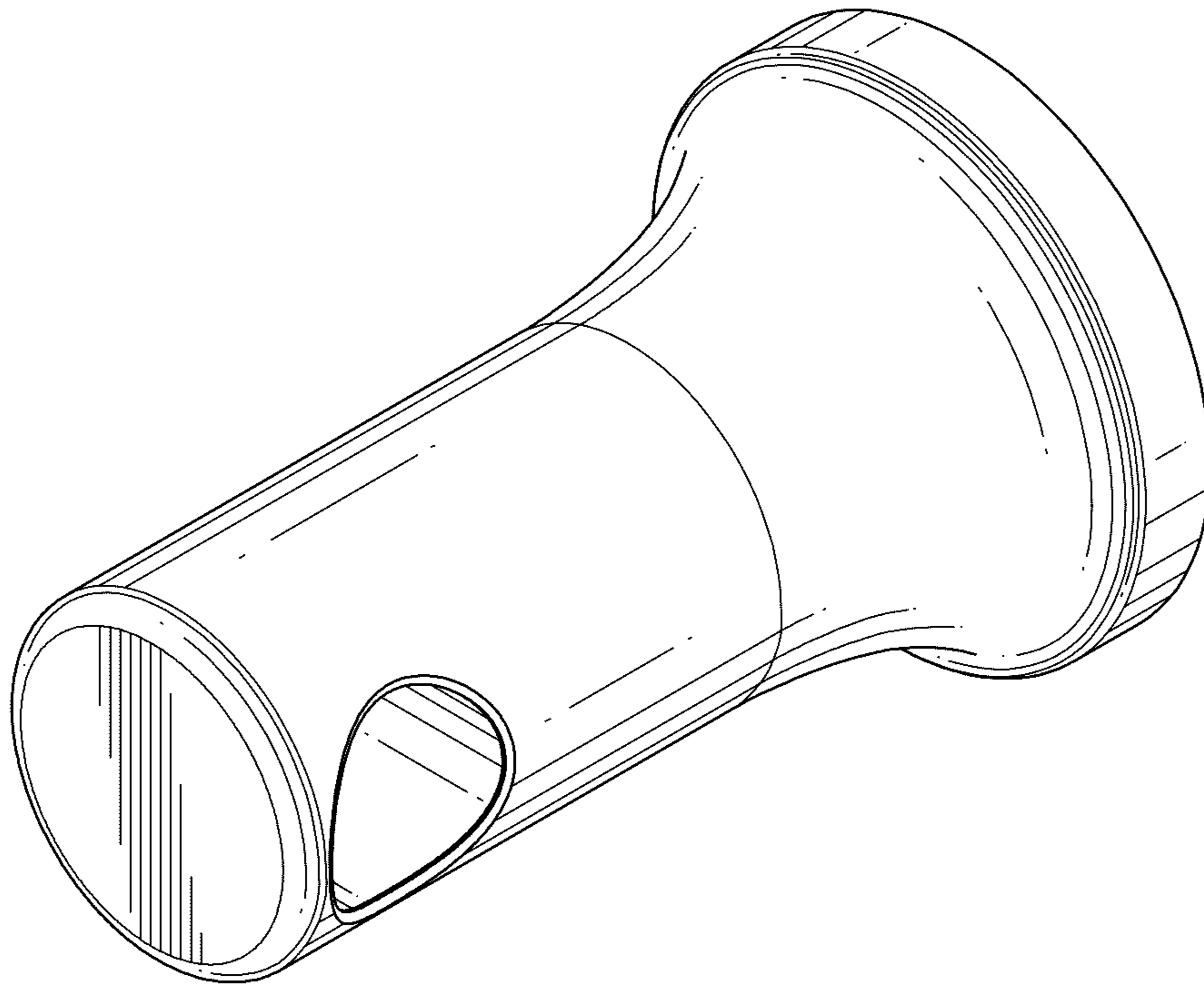


FIG. 1

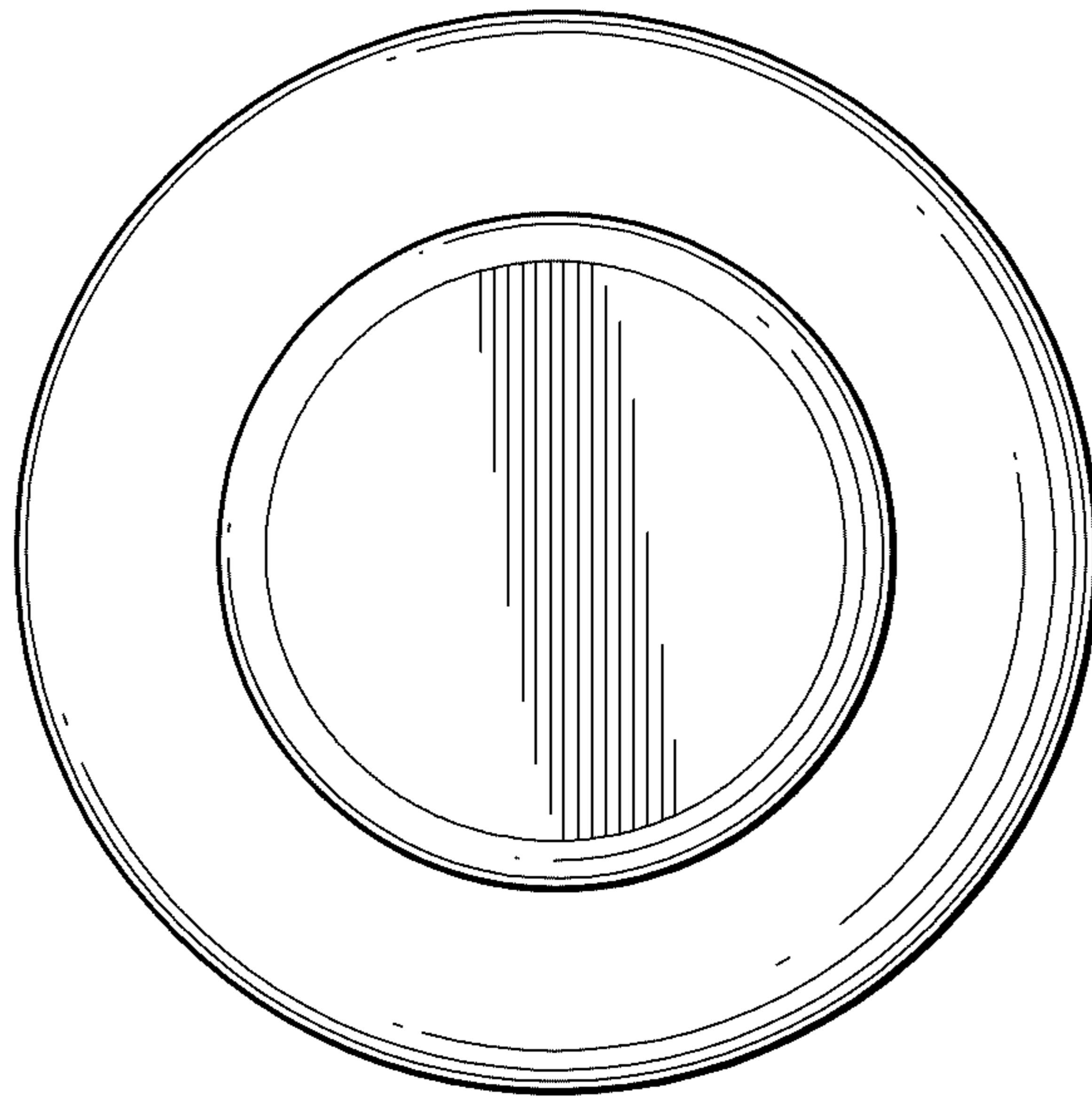


FIG.2

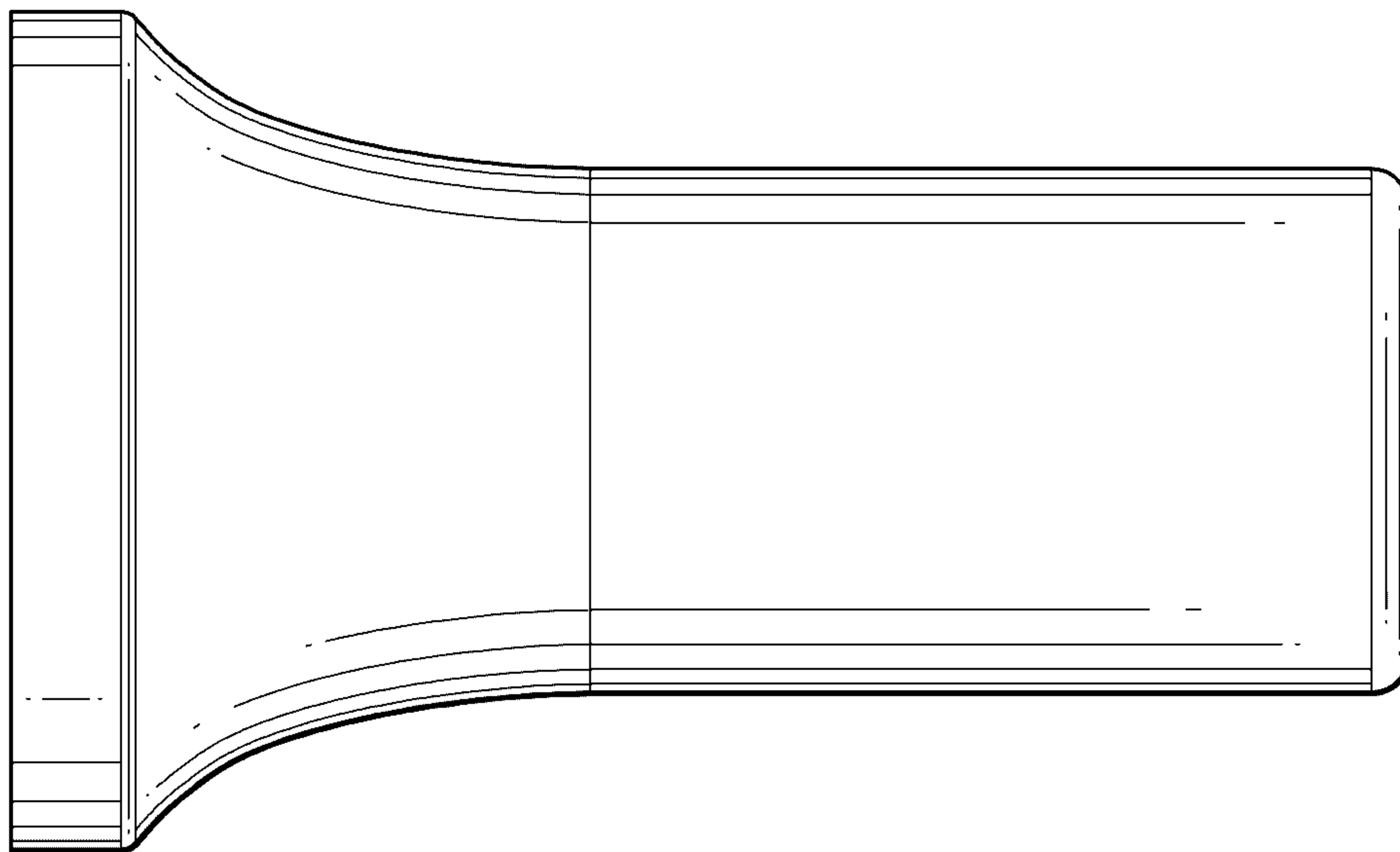


FIG.3

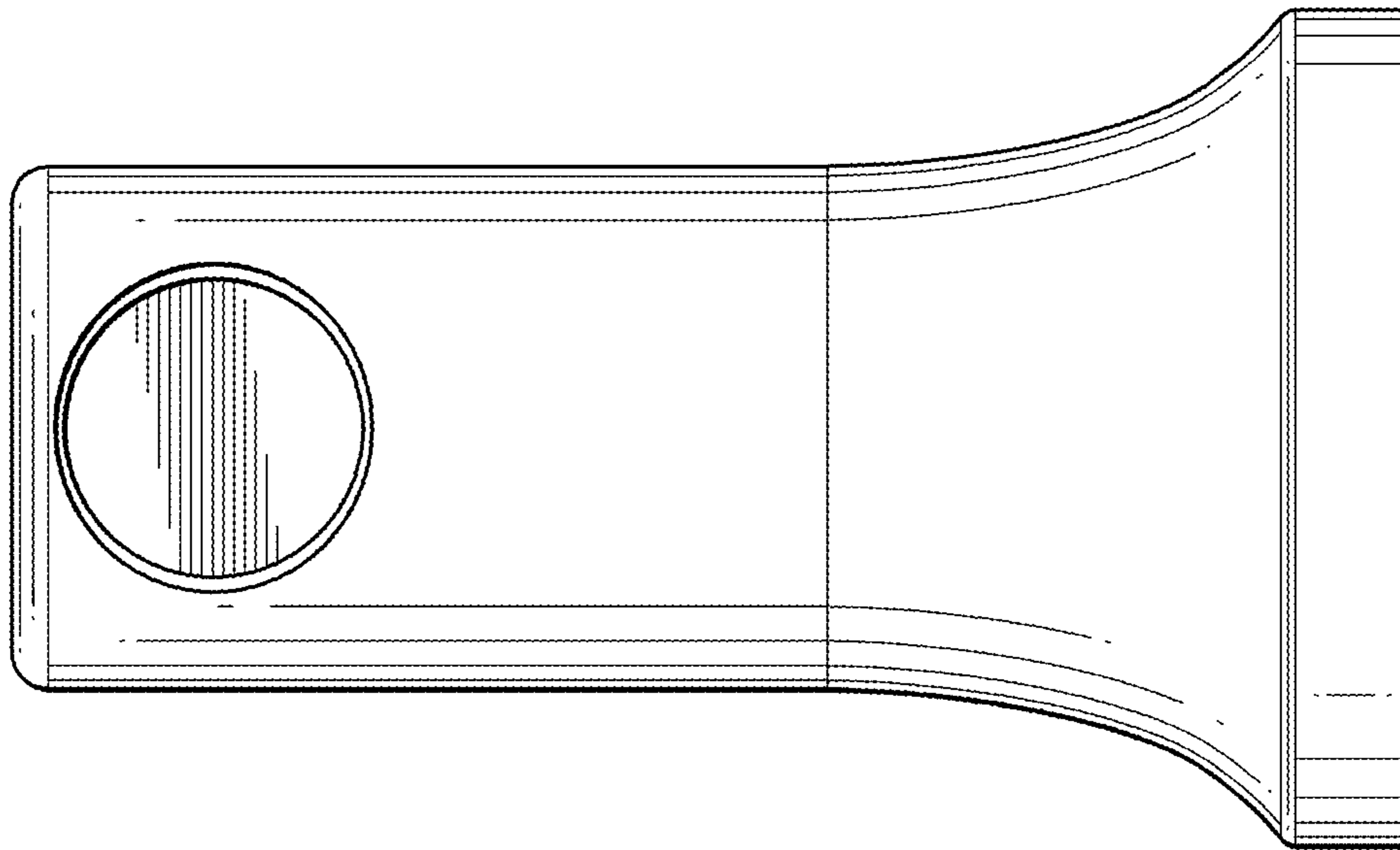


FIG.4

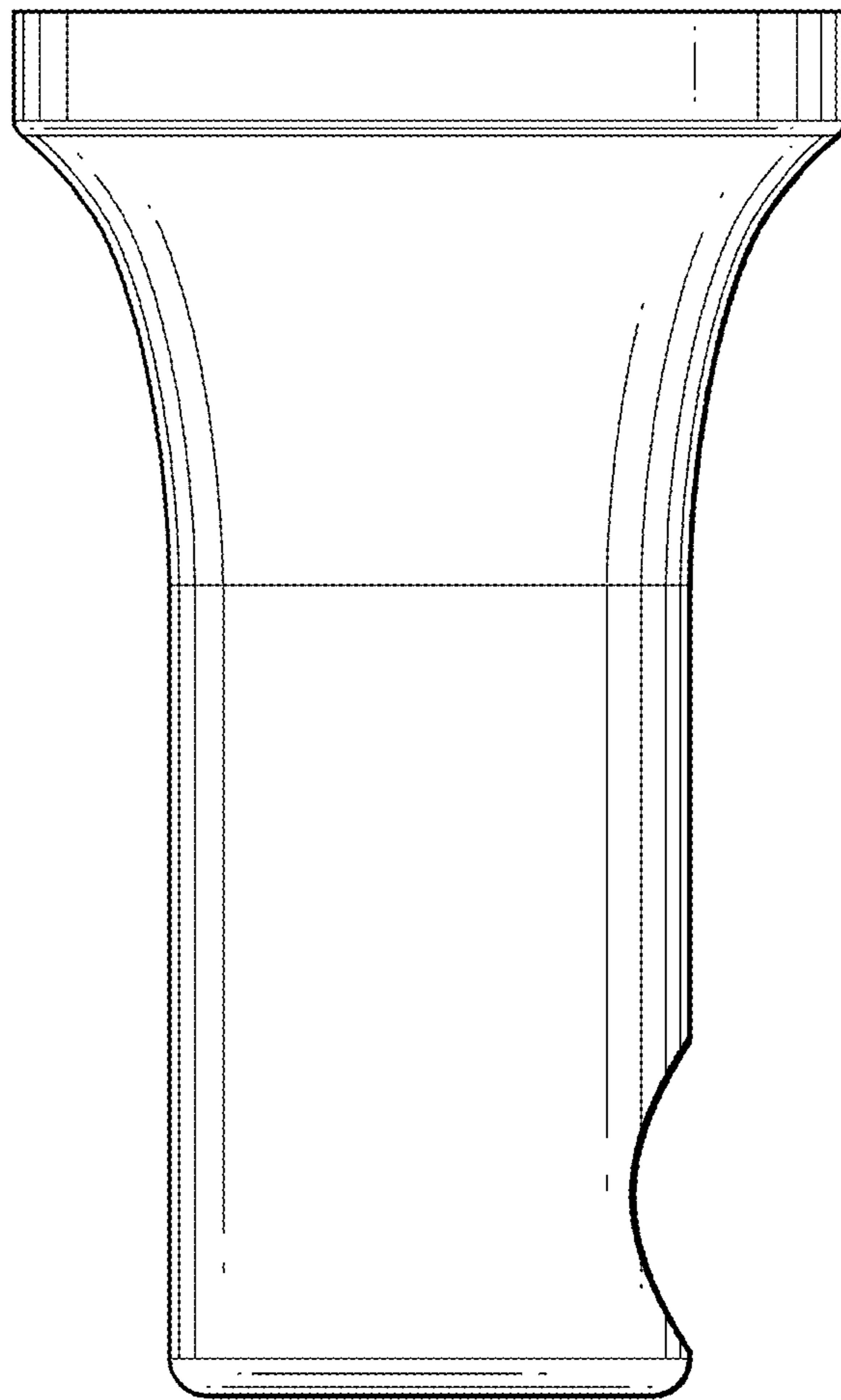


FIG.5

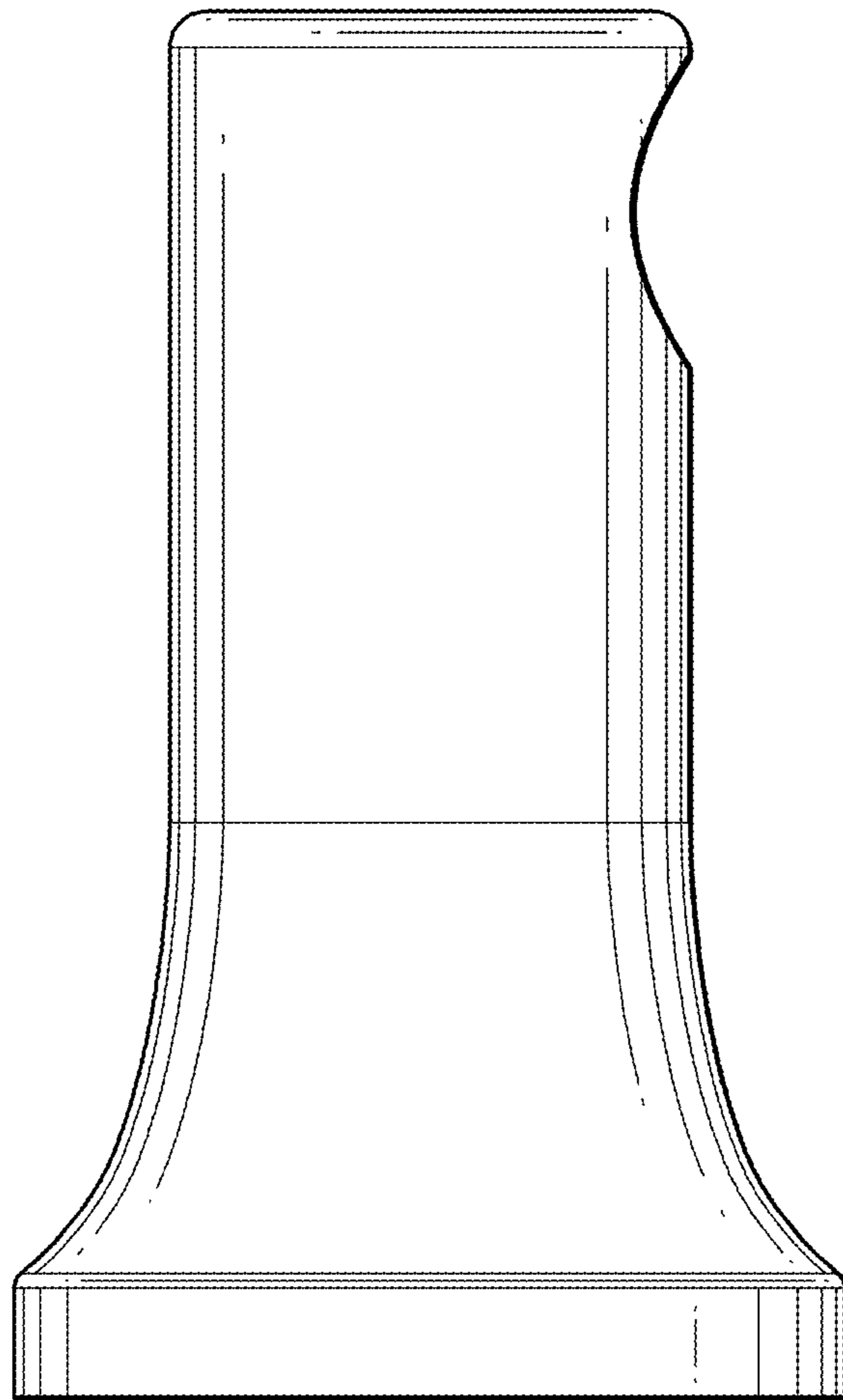


FIG. 6

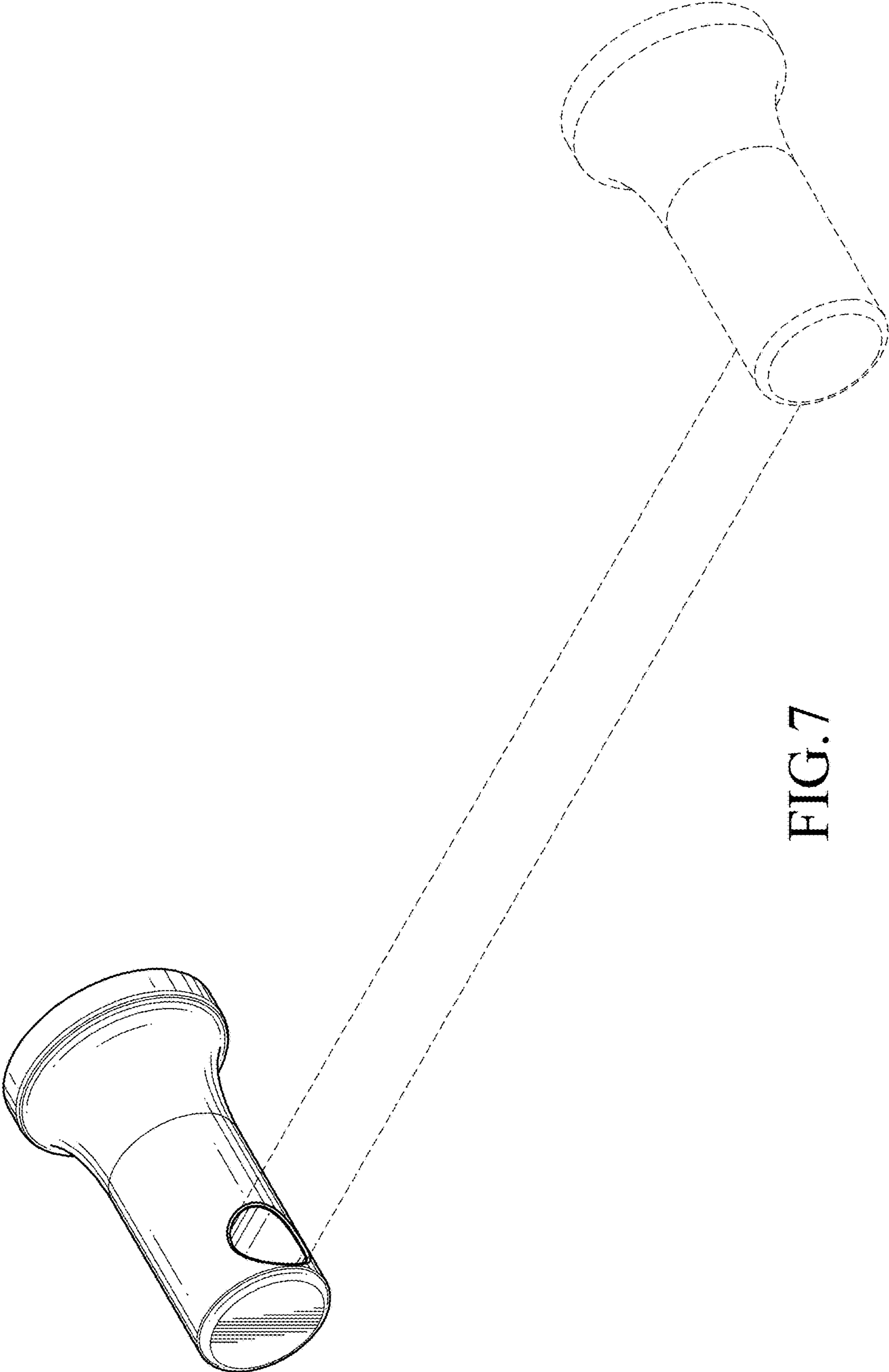


FIG.7