



US00D775850S

(12) **United States Design Patent** (10) **Patent No.:** **US D775,850 S**
Tsai (45) **Date of Patent:** **** Jan. 10, 2017**

(54) **TOILET PAPER HOLDER** D493,643 S * 8/2004 Snell D6/523
D508,355 S * 8/2005 Lau D6/523
(71) Applicant: **PRETTY STAR STORE LLC,** 6,988,691 B1 * 1/2006 Lai A47K 10/38
Rowland Heights, CA (US) 242/594
(72) Inventor: **Tsung-Yu Tsai,** Changhua (TW) D520,281 S * 5/2006 Lin D6/523
7,195,196 B2 * 3/2007 Ko A47K 10/40
242/598.5
(73) Assignee: **PRETTY STAR STORE LLC,** D690,108 S * 9/2013 Goodman D3/306
Rowland Heights, CA (US) D691,389 S * 10/2013 Snider D6/519
D696,016 S * 12/2013 Tsai D3/306
D714,569 S * 10/2014 Cohen D6/523
(**) Term: **14 Years** 2003/0080081 A1 * 5/2003 Lin A47K 10/38
211/205

(21) Appl. No.: **29/515,587**
(22) Filed: **Jan. 23, 2015**
(51) **LOC (10) Cl.** **23-02**
(52) **U.S. Cl.**
USPC **D6/523**
(58) **Field of Classification Search**
USPC ... D6/522-524, 546-550, 518-519; D8/300,
D8/303, 315-321, 354, 363, 373, 380;
108/28-29; 211/13.1, 16, 60.1, 86.01,
211/87.01, 88.01, 88.04, 100, 105.1,
211/105.2, 123, 126.1, 133.6, 134, 181.1,
248/182; 175, 176.1, 200, 251, 302,
248/309.1; 16/110.1, 412, 16/415;
242/570, 590, 595-598; 206/389, 557
CPC A47K 10/38; A47K 2010/3253
See application file for complete search history.

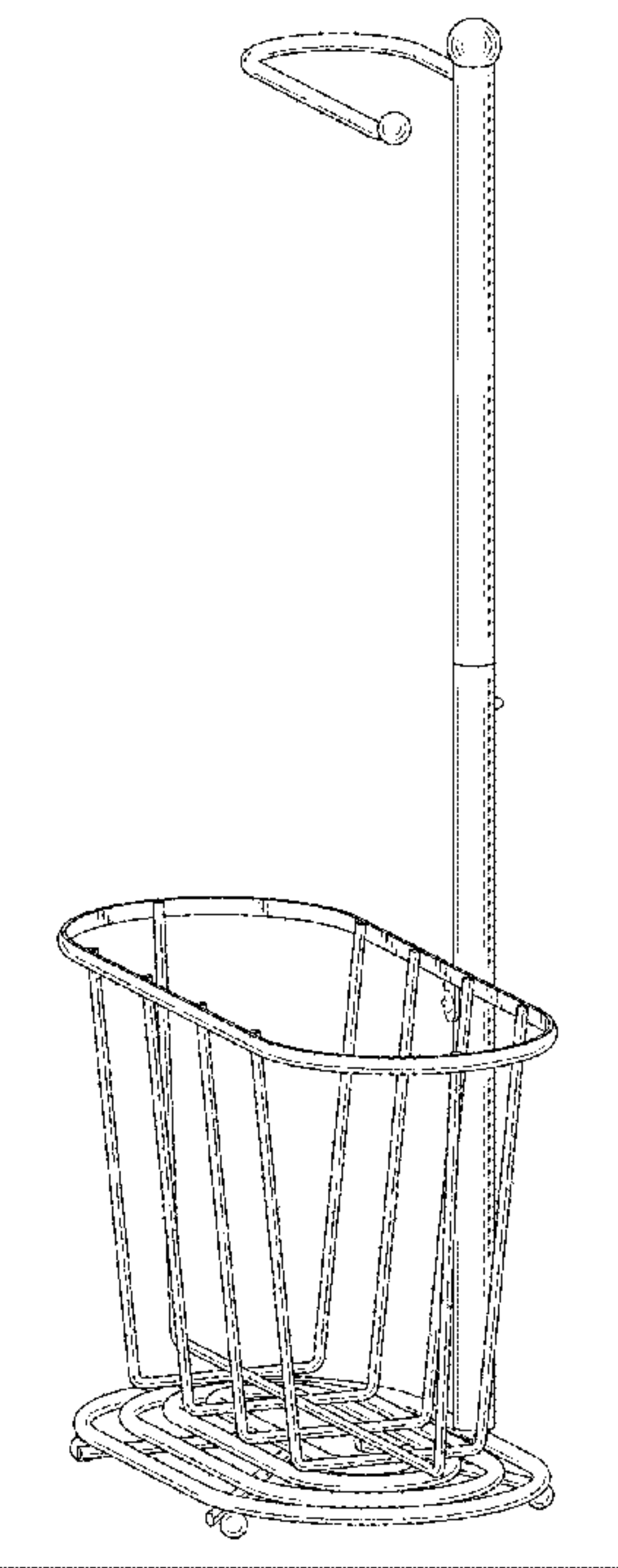
(56) **References Cited**
U.S. PATENT DOCUMENTS
D461,669 S * 8/2002 Cheng D6/519
D472,414 S * 4/2003 Gilbert D6/523
D476,835 S * 7/2003 Lai D6/523

* cited by examiner
Primary Examiner — David Muller
Assistant Examiner — Nathan Johnston
(74) *Attorney, Agent, or Firm* — Muncy, Geissler, Olds & Lowe, P.C.

(57) **CLAIM**
The ornamental design for a toilet paper holder, as shown and described.

DESCRIPTION
FIG. 1 is a perspective view of the toilet paper holder showing my new design;
FIG. 2 is a front elevation view thereof;
FIG. 3 is a rear elevation view thereof;
FIG. 4 is a left side elevation view thereof;
FIG. 5 is a right side elevation view thereof;
FIG. 6 is a top plan view thereof; and,
FIG. 7 is a bottom plan view thereof.
The features shown in broken lines depict structural features and form no part of the claimed design.

1 Claim, 6 Drawing Sheets



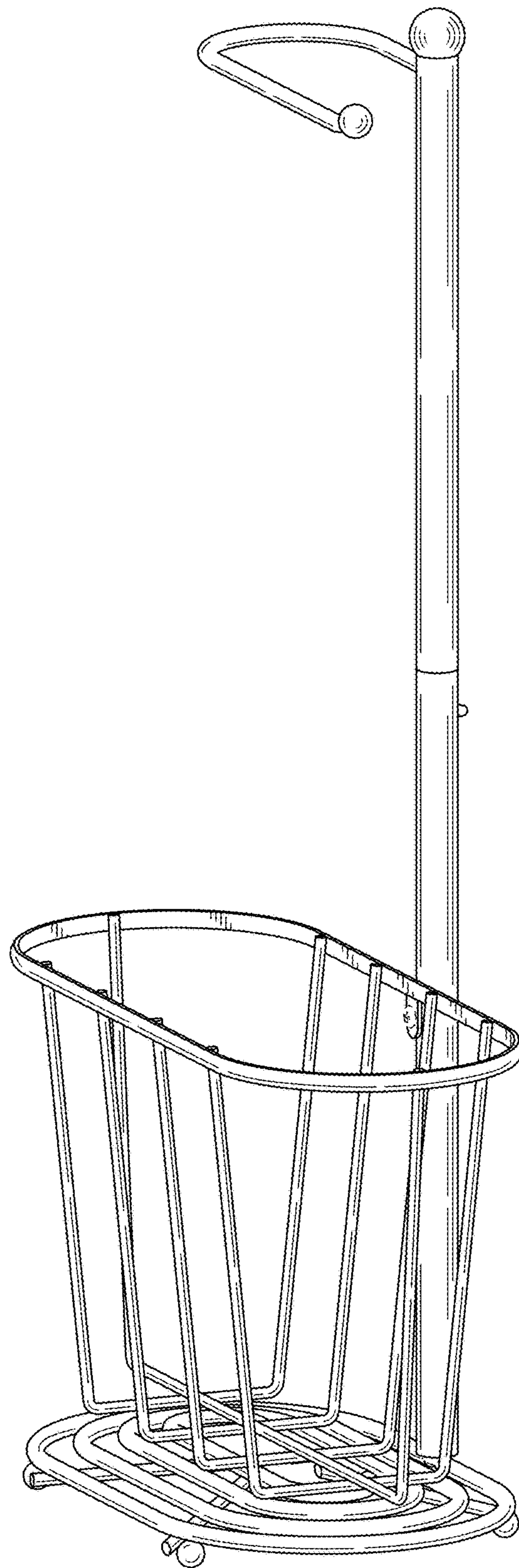


FIG. 1

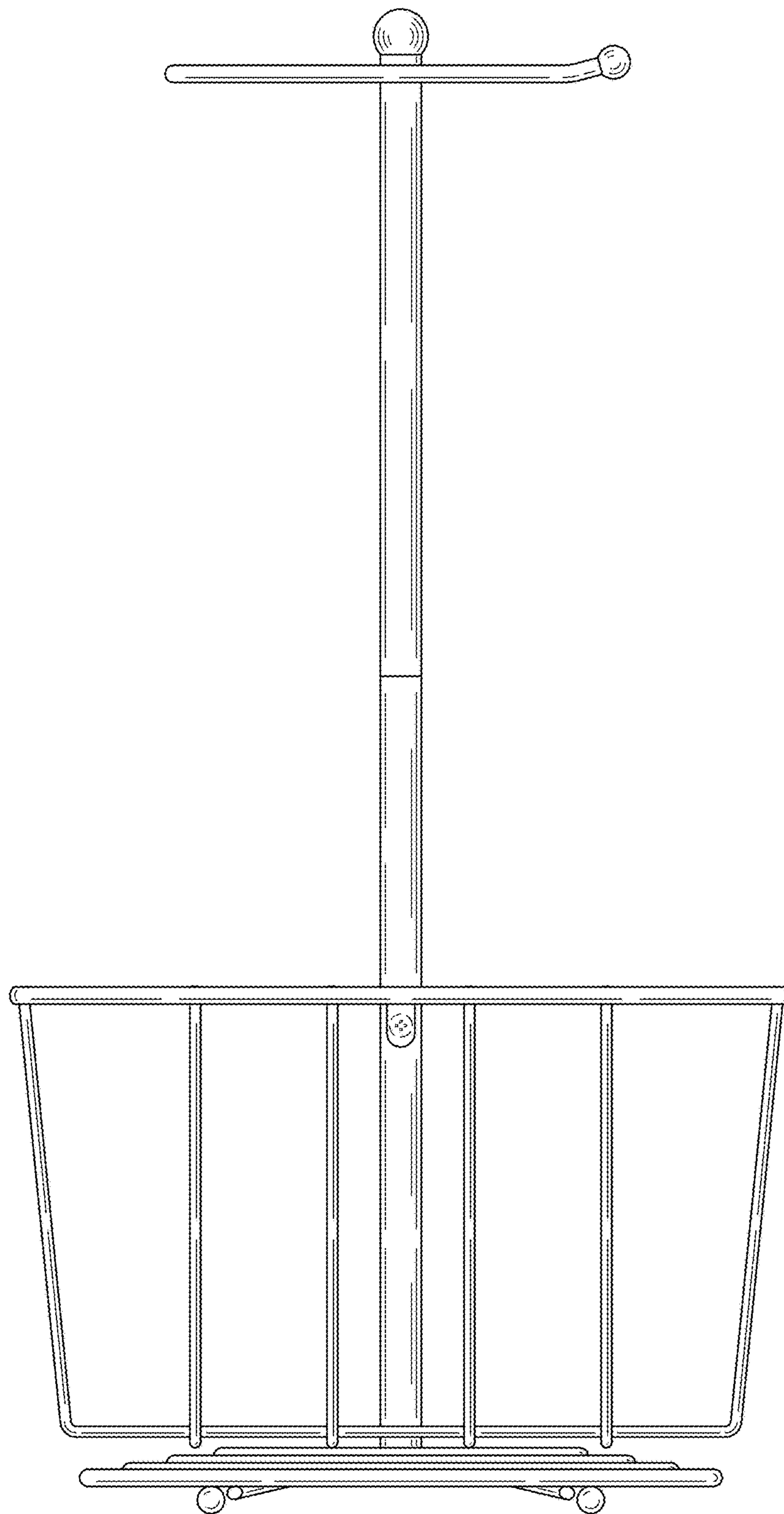


FIG. 2

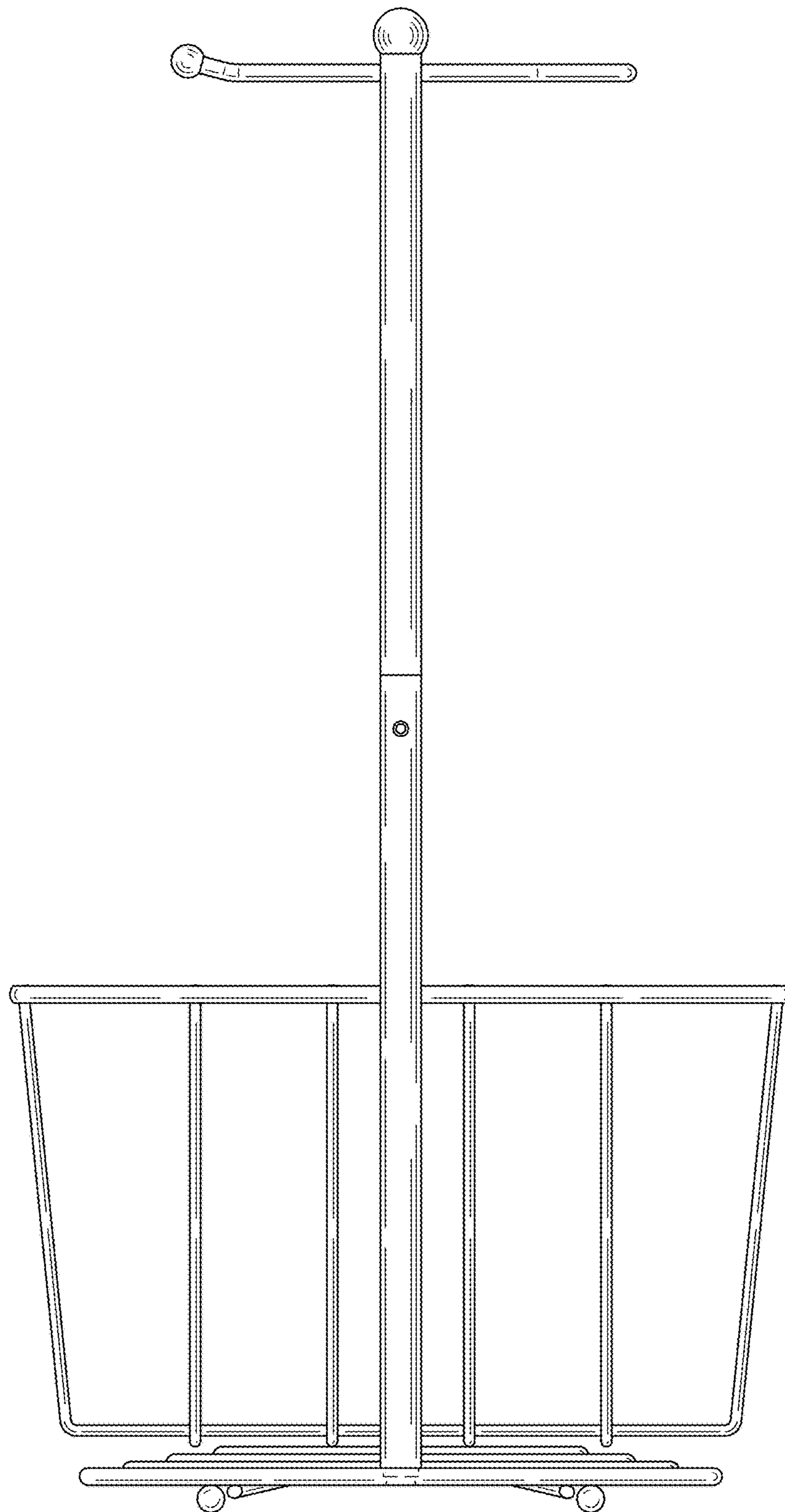


FIG. 3

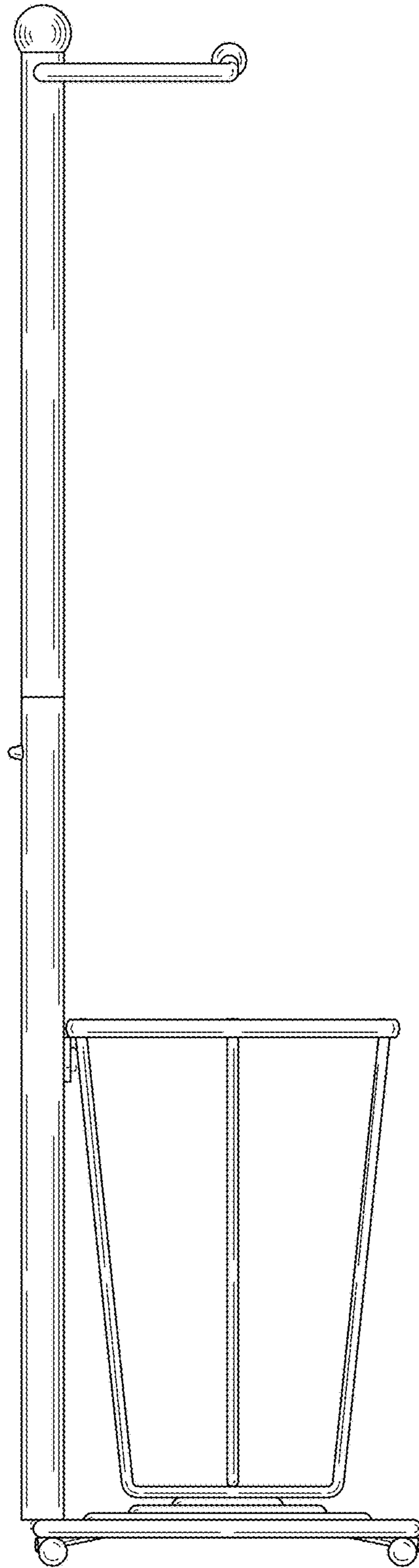


FIG. 4

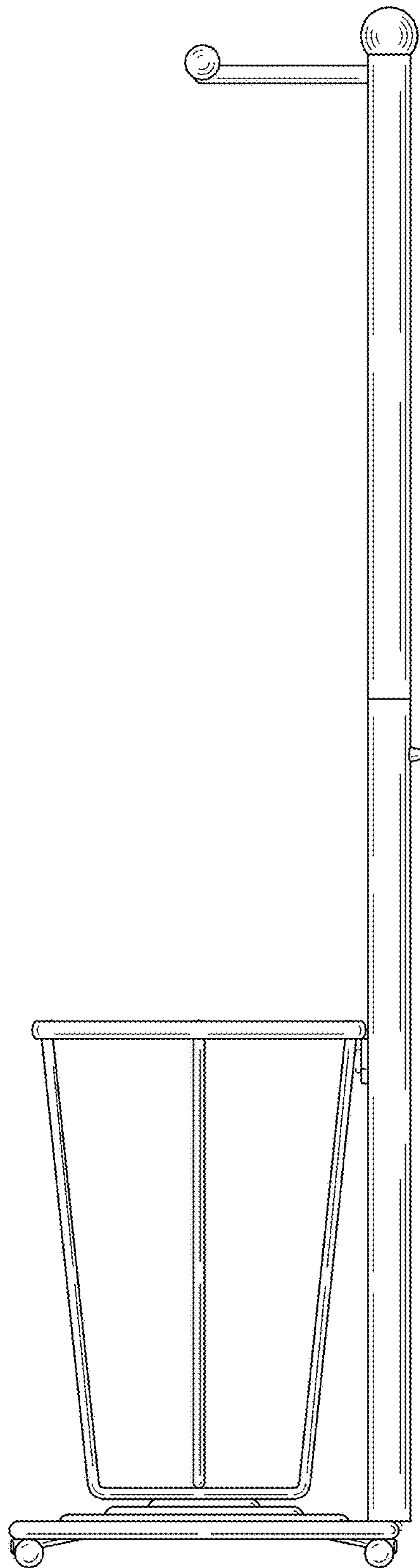


FIG. 5

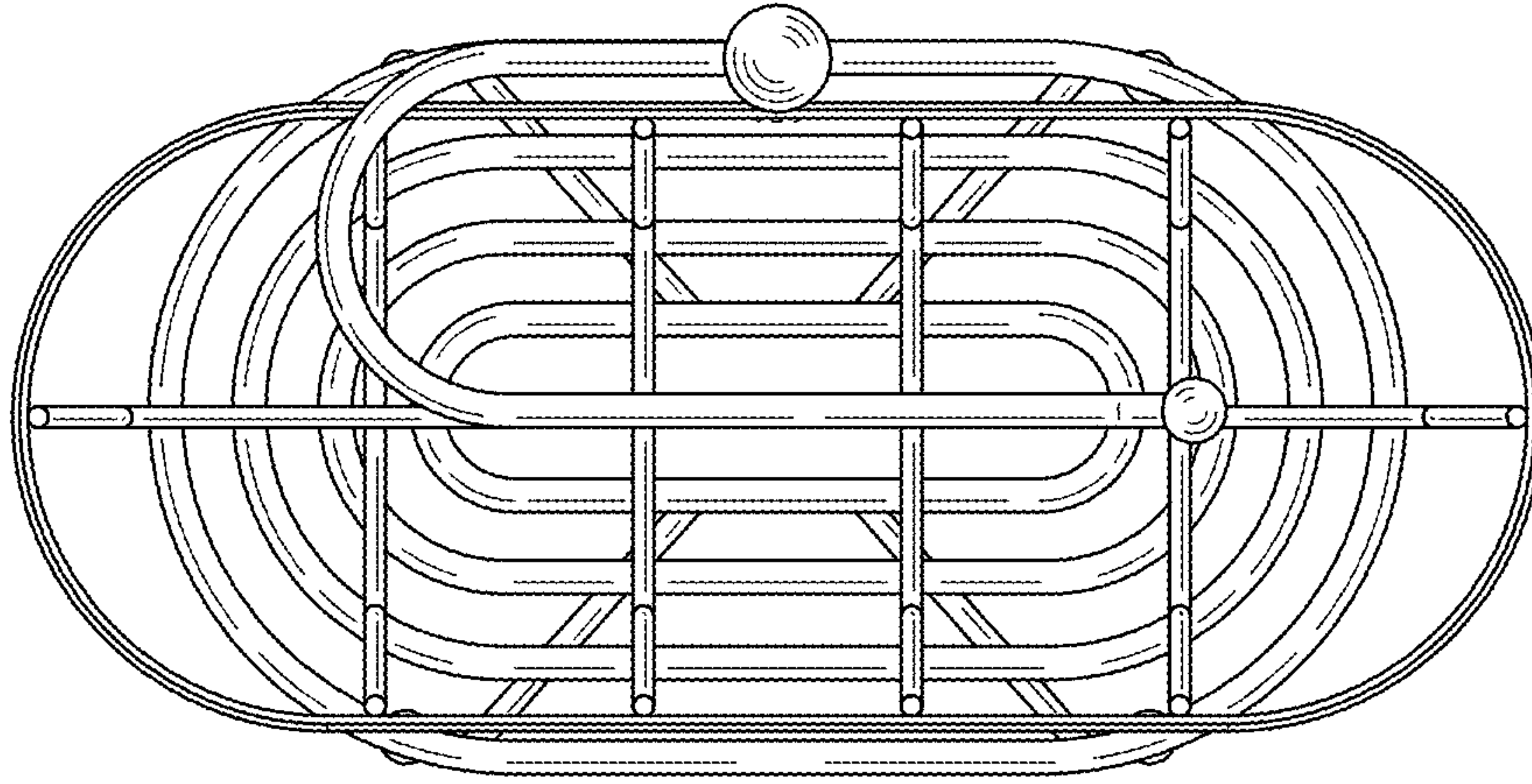


FIG. 6

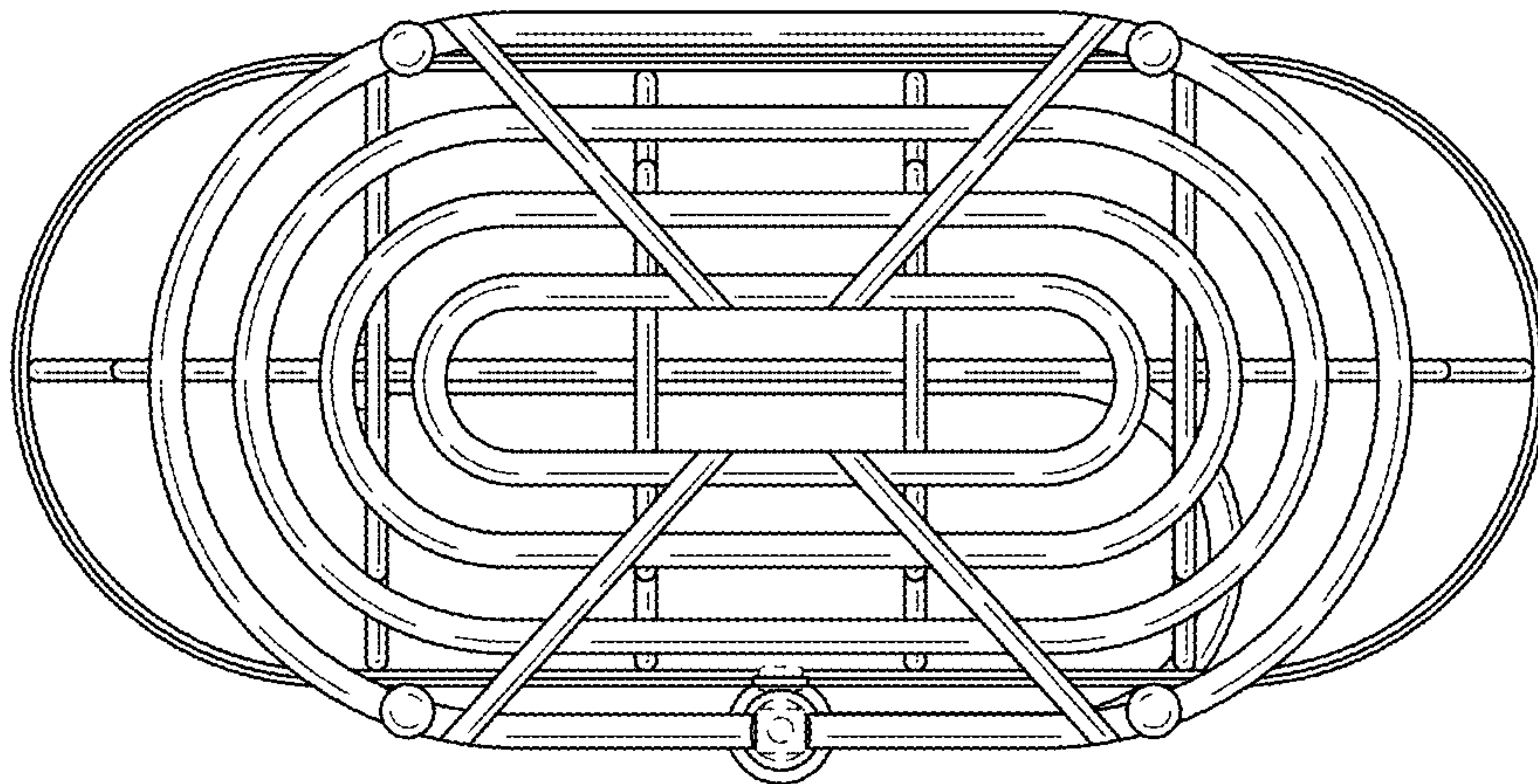


FIG. 7