



US00D775849S

(12) **United States Design Patent** (10) **Patent No.:** **US D775,849 S**  
**Brickl** (45) **Date of Patent:** **\*\* Jan. 10, 2017**

- (54) **PAPER PRODUCT DISPENSER**
- (71) Applicant: **SCA HYGIENE PRODUCTS AB,**  
Göteborg (SE)
- (72) Inventor: **Jeffrey Jay Brickl,** Lodi, WI (US)
- (73) Assignee: **SCA HYGIENE PRODUCTS AB,**  
Göteborg (SE)
- (\*\*) Term: **15 Years**
- (21) Appl. No.: **29/542,560**
- (22) Filed: **Oct. 15, 2015**
- (51) **LOC (10) Cl.** ..... **20-02**
- (52) **U.S. Cl.**  
USPC ..... **D6/518; D6/522**
- (58) **Field of Classification Search**  
USPC ..... D6/515-518, 522, 553, 542-545, 567,  
D6/574; 206/225, 233, 389, 391, 77.1;  
211/13.1, 173, 180, 45, 86.01, 87.02,  
211/87.01; 221/26, 33, 282, 283, 14, 92,  
221/105; 222/173, 180, 281-282;  
242/570, 590; 248/309.1, 309.2, 905  
CPC ... A47K 10/40; A47K 10/38; A47K 2010/324  
See application file for complete search history.

- D363,628 S \* 10/1995 McCanness ..... D6/518
- D365,713 S \* 1/1996 Chen ..... D6/522
- D399,084 S \* 10/1998 Tramontina ..... D6/522
- D441,231 S \* 5/2001 Purcell ..... D6/522
- D447,373 S \* 9/2001 Fisscher ..... D6/518
- 6,446,901 B1 \* 9/2002 Haen ..... A47K 10/36  
225/12
- 6,903,654 B2 \* 6/2005 Hansen ..... A47K 10/36  
242/563
- D522,781 S \* 6/2006 Wieser ..... D6/518

\* cited by examiner

*Primary Examiner* — David Muller  
*Assistant Examiner* — Nathan Johnston  
(74) *Attorney, Agent, or Firm* — Drinker Biddle & Reath  
LLP

(57) **CLAIM**

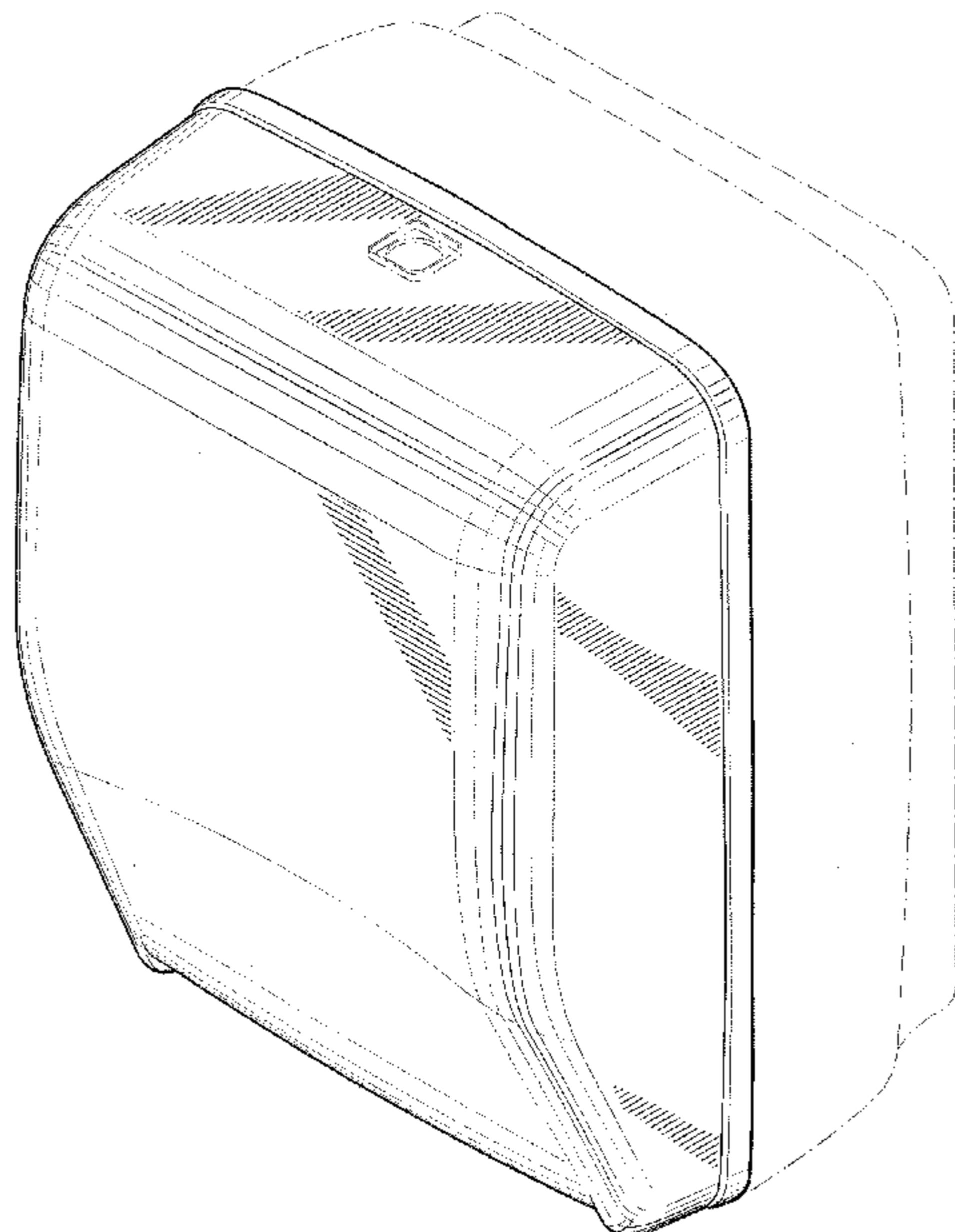
The ornamental design for a paper product dispenser, as shown and described.

**DESCRIPTION**

FIG. 1 is a perspective view of a paper product dispenser showing the new design.  
FIG. 2 is a front elevation view thereof.  
FIG. 3 is a rear elevation view thereof.  
FIG. 4 is a side elevation view thereof, with the opposite side being a mirror image thereof.  
FIG. 5 is a top plan view thereof; and,  
FIG. 6 is a bottom plan view thereof.  
The broken lines represent portions of the dispenser for environmental purposes only and form no part of the claimed design.

**1 Claim, 5 Drawing Sheets**

- (56) **References Cited**  
U.S. PATENT DOCUMENTS  
2,487,763 A \* 11/1949 Patterson ..... A47K 10/22  
242/598.3  
D193,870 S \* 10/1962 Layton ..... D6/522  
D293,750 S \* 1/1988 Leotta ..... D6/522  
5,028,097 A \* 7/1991 Tucker ..... A47K 10/40  
312/34.8  
D346,519 S \* 5/1994 Krueger ..... D6/522



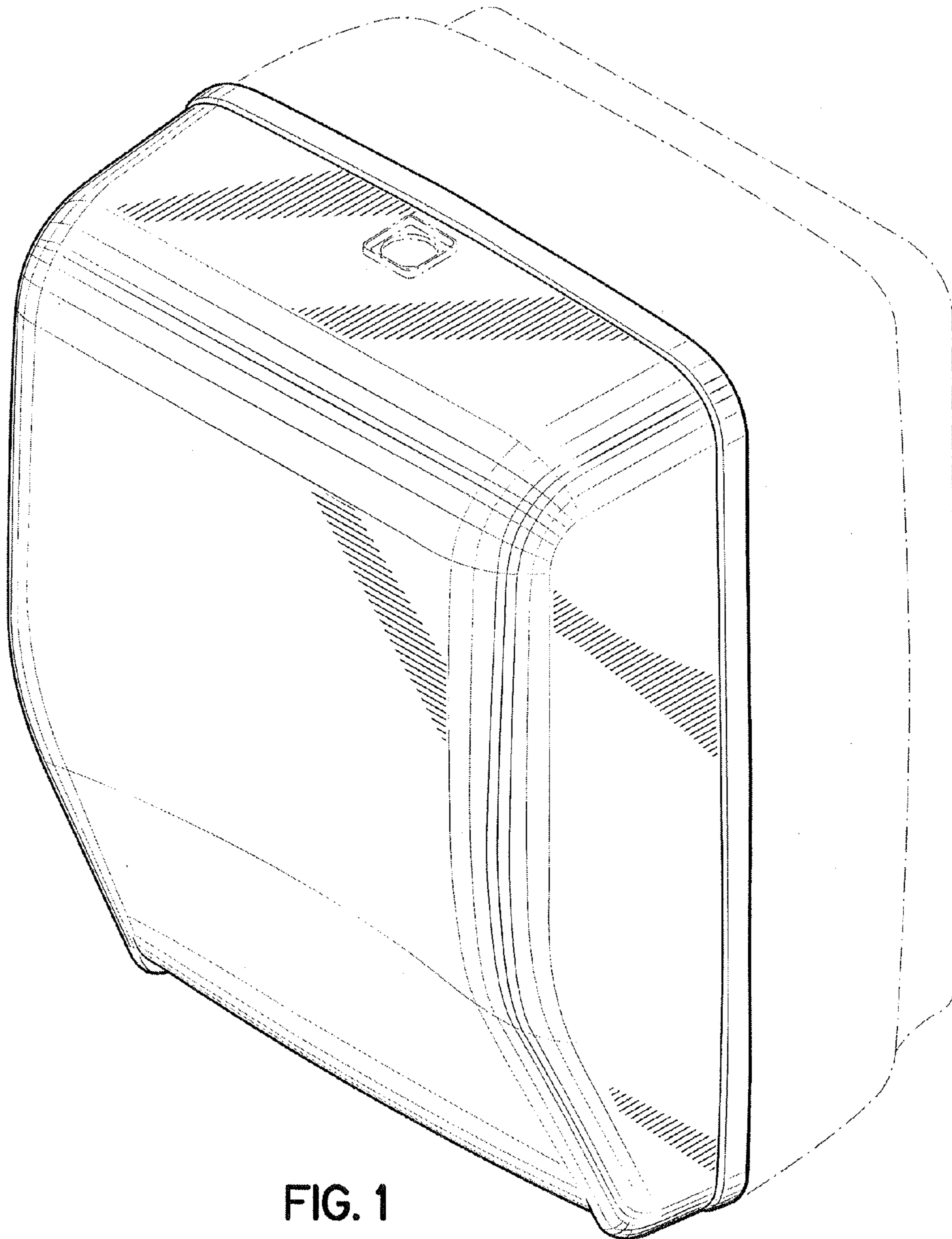


FIG. 1

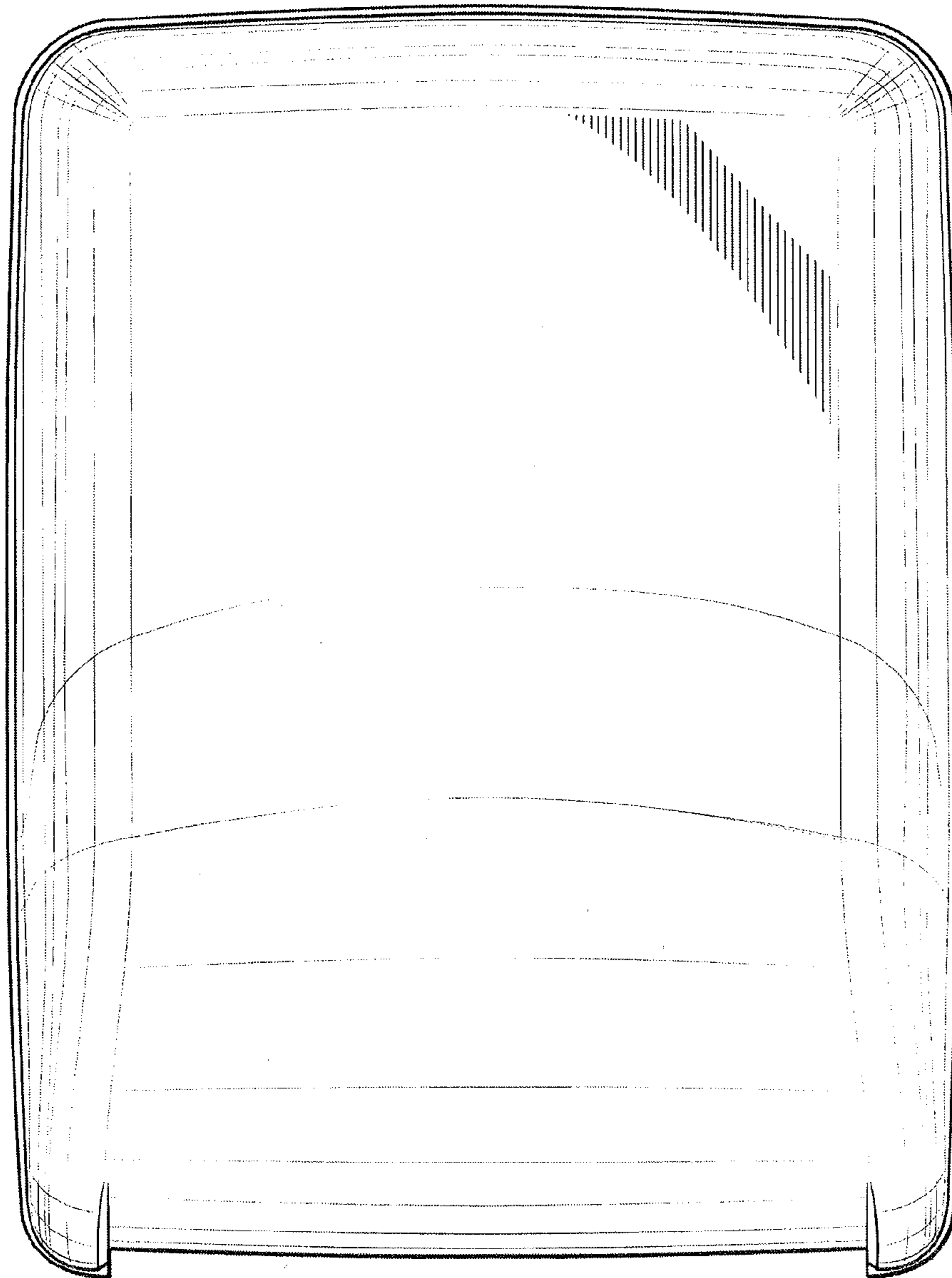


FIG. 2

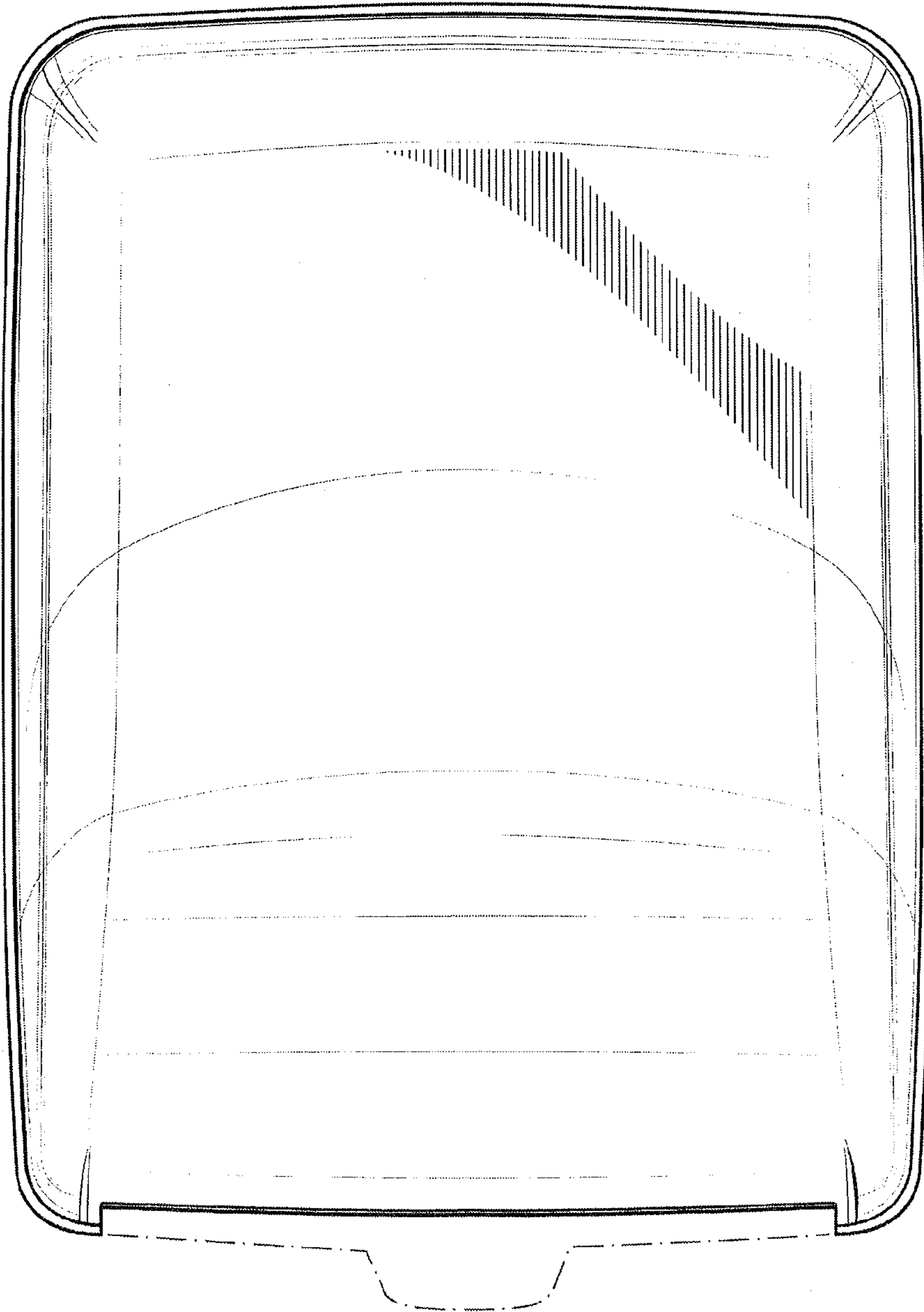


FIG. 3

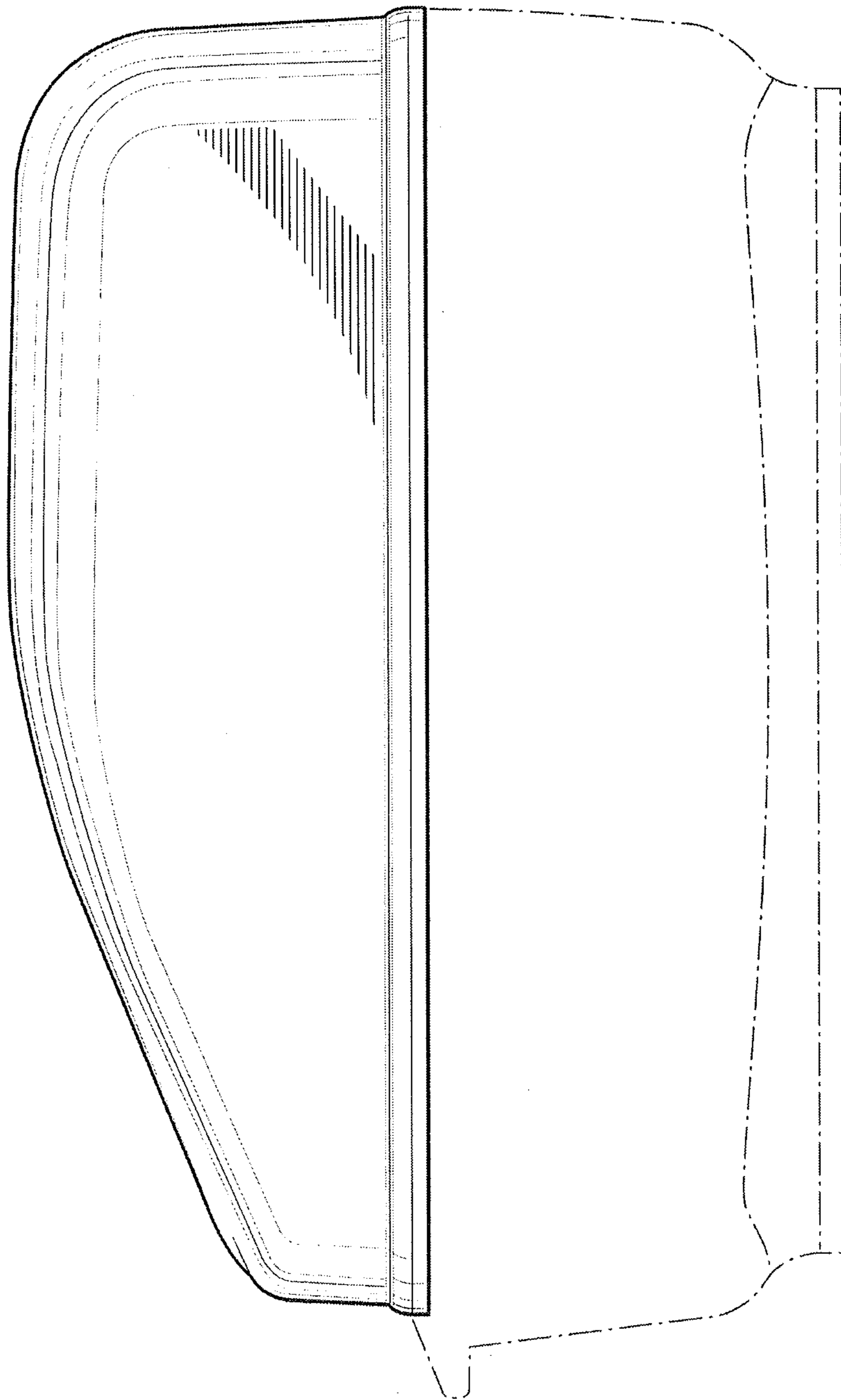


FIG. 4

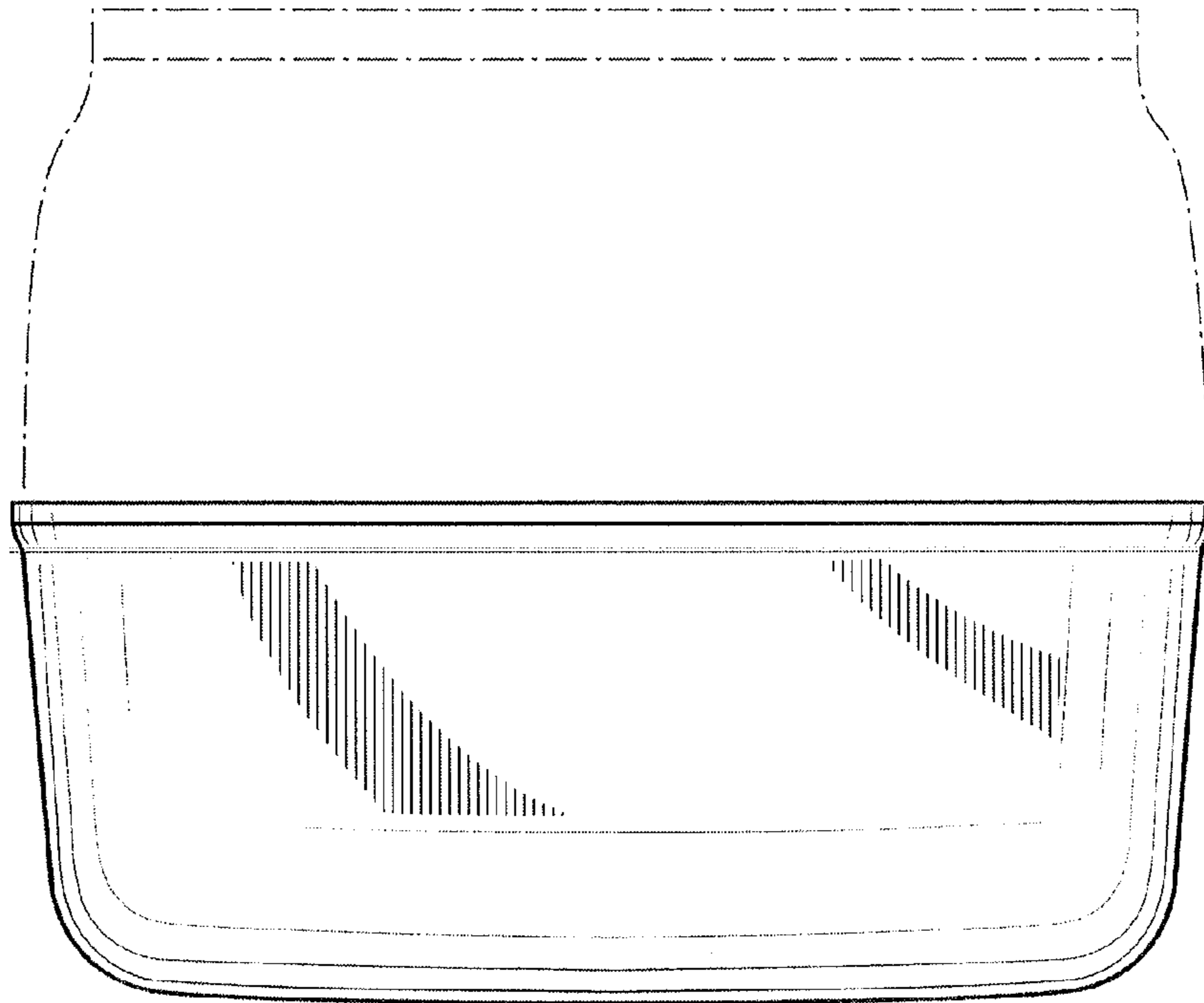


FIG. 5

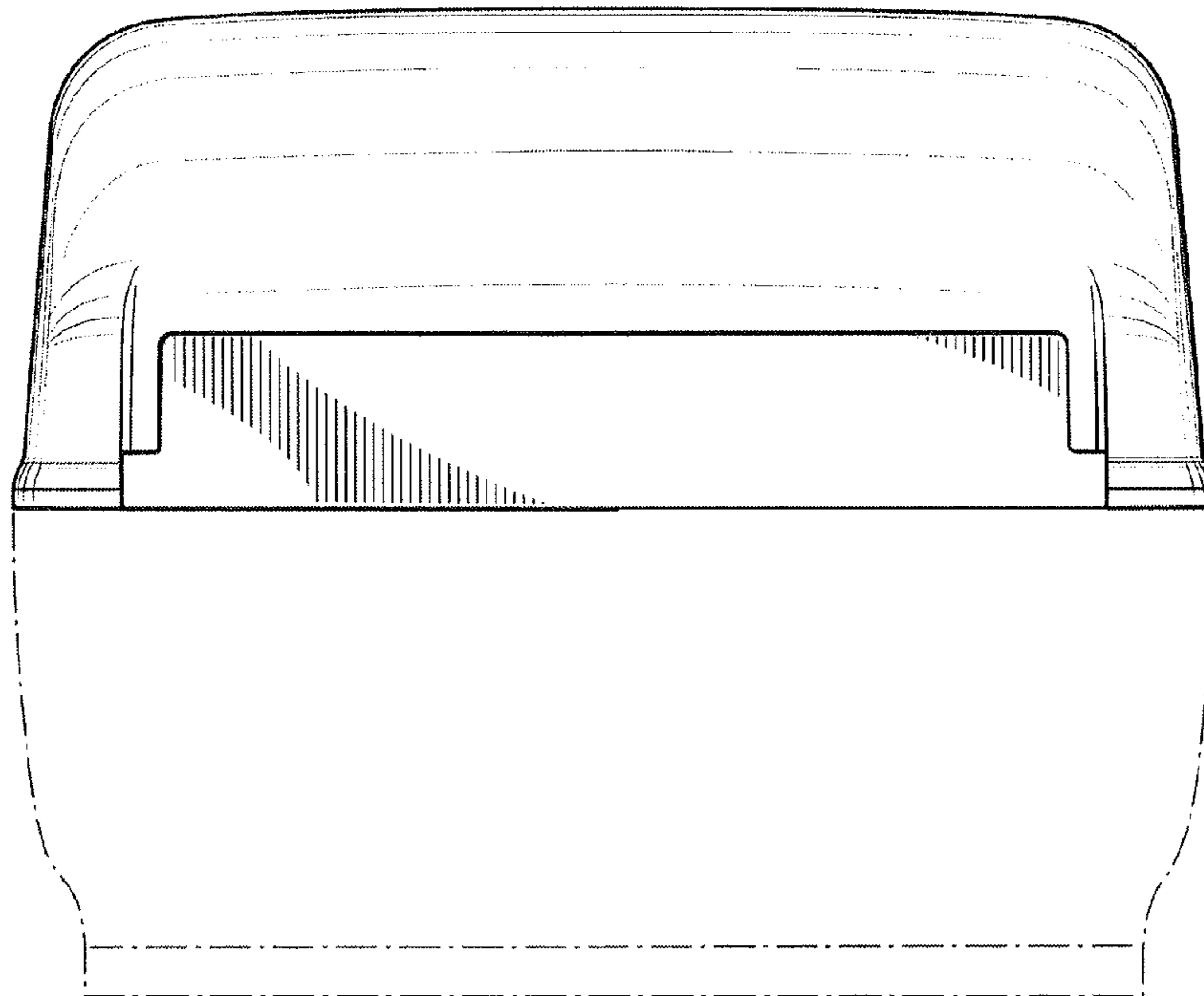


FIG. 6