



US00D775847S

(12) **United States Design Patent**
Wagner

(10) **Patent No.:** **US D775,847 S**
(45) **Date of Patent:** **** Jan. 10, 2017**

(54) **CHAIR**

(71) Applicant: **TOPSTAR GmbH**, Langenneufnach
(DE)

(72) Inventor: **Peter Wagner**, Neusäß (DE)

(73) Assignee: **TOPSTAR GMBH**, Langenneufnach,
Alemania (DE)

(**) Term: **15 Years**

(21) Appl. No.: **29/543,573**

(22) Filed: **Oct. 26, 2015**

(30) **Foreign Application Priority Data**

Apr. 24, 2015 (EM) 002689240

(51) **LOC (10) Cl.** **06-01**

(52) **U.S. Cl.**
USPC **D6/366**

(58) **Field of Classification Search**

USPC D6/364-368, 374, 716; 297/452.24,
297/452.26, 452.28, 452.32-33, 452.37

CPC A47C 7/02; A47C 7/44; A47C 7/46;
A47C 7/48; A47C 7/54; A47C
7/386; A47C 7/462; A47C 1/10; A47C
1/031; B60N 2/02; B60N 2/22; B60N
2/44

See application file for complete search history.

(56) **References Cited**

U.S. PATENT DOCUMENTS

D293,982 S * 2/1988 Vogtherr D6/372
D467,444 S * 12/2002 Hess D6/370

D643,641 S *	8/2011	Figueroa	D6/366
D656,752 S *	4/2012	Moll	D6/366
D662,331 S *	6/2012	Czumaj-Bront	D6/366
D663,129 S *	7/2012	Greutmann	D6/366
D666,016 S *	8/2012	Citterio	D6/366
D667,231 S *	9/2012	Citterio	D6/366
D671,332 S *	11/2012	Izawa	D6/366
D684,783 S *	6/2013	Hsiao	D6/366
D687,641 S *	8/2013	Barrell	D6/366
D688,056 S *	8/2013	Phillips	D6/366
D699,957 S *	2/2014	Smith	D6/366
D704,944 S *	5/2014	Koepke	D6/366
D707,976 S *	7/2014	Smith	D6/366
D752,889 S *	4/2016	Bench	D6/366

* cited by examiner

Primary Examiner — Manpreet Matharu

Assistant Examiner — Keith Wilson

(74) *Attorney, Agent, or Firm* — Cantor Colburn LLP

(57) **CLAIM**

I claim, the ornamental design for chair, as shown and described.

DESCRIPTION

FIG. 1 is a front perspective view of a chair, showing my new design;

FIG. 2 is a front elevation view thereof;

FIG. 3 is a rear elevation view thereof;

FIG. 4 is a side view thereof, taken from the right of FIG. 1;

FIG. 5 is a side view thereof, taken from the left of FIG. 1;

FIG. 6 is a top plan view thereof; and,

FIG. 7 is a bottom plan view thereof.

The portions of the drawing that are in broken line form no part of the claim.

1 Claim, 7 Drawing Sheets

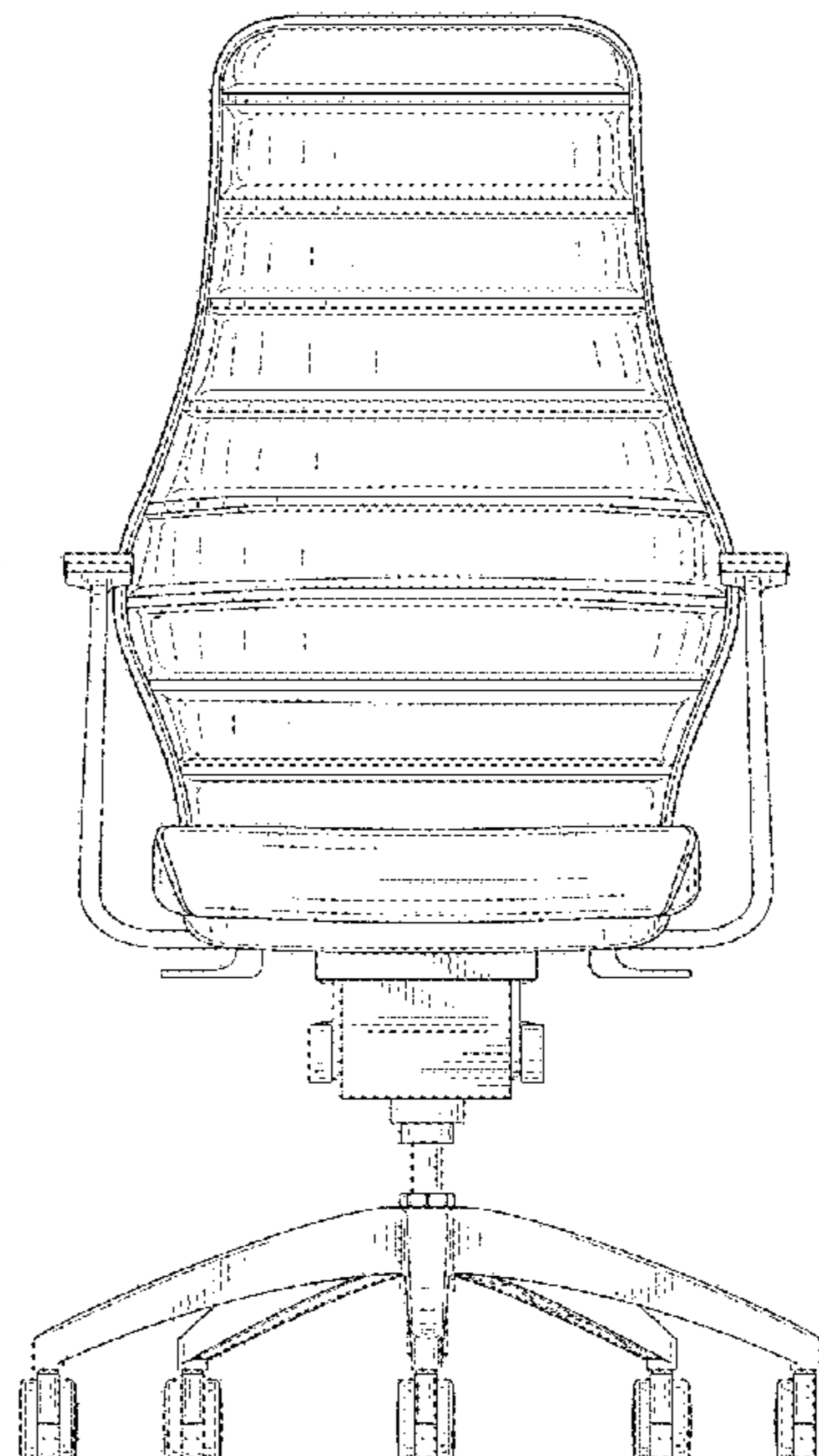
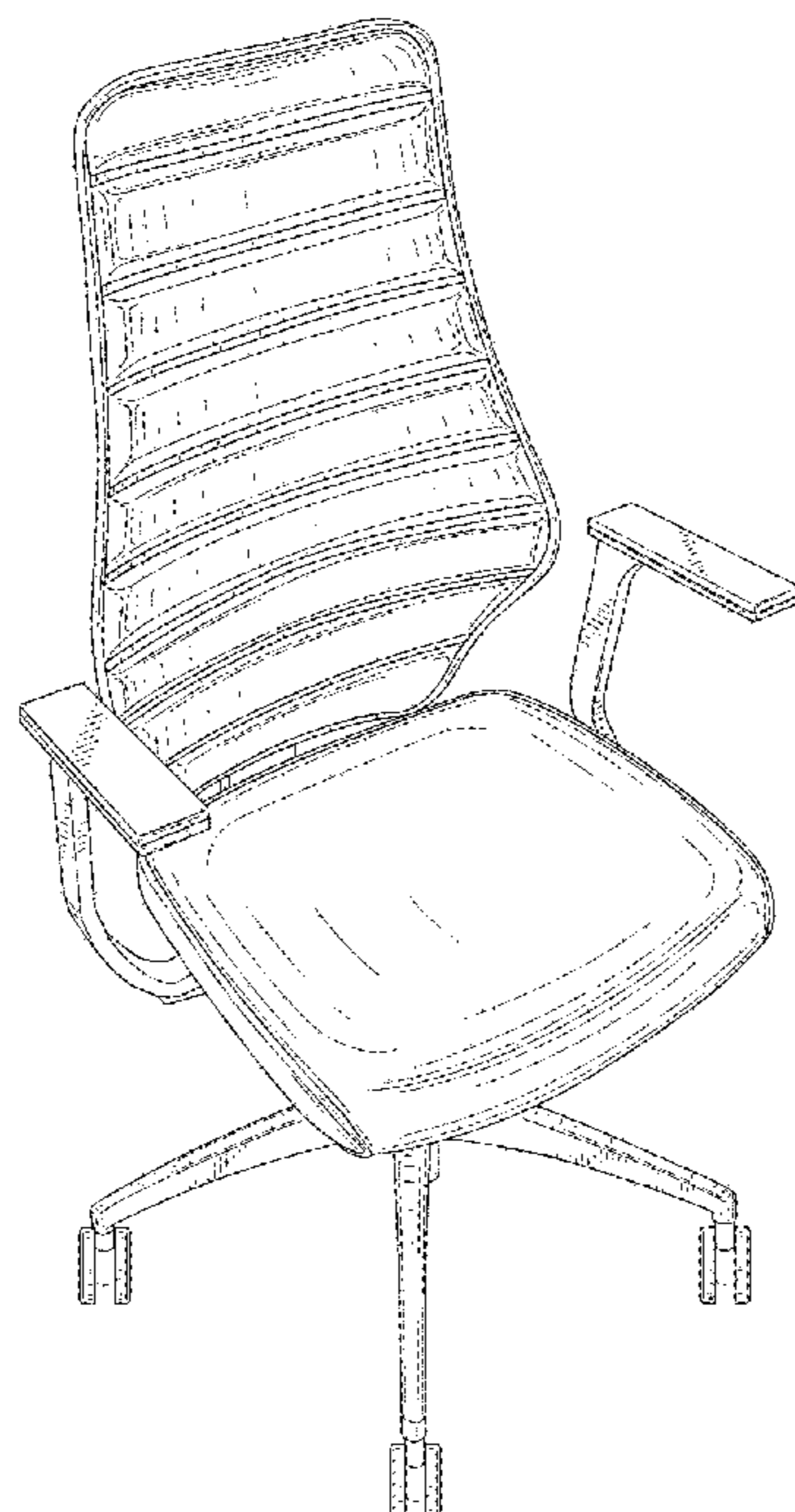




FIG. 1

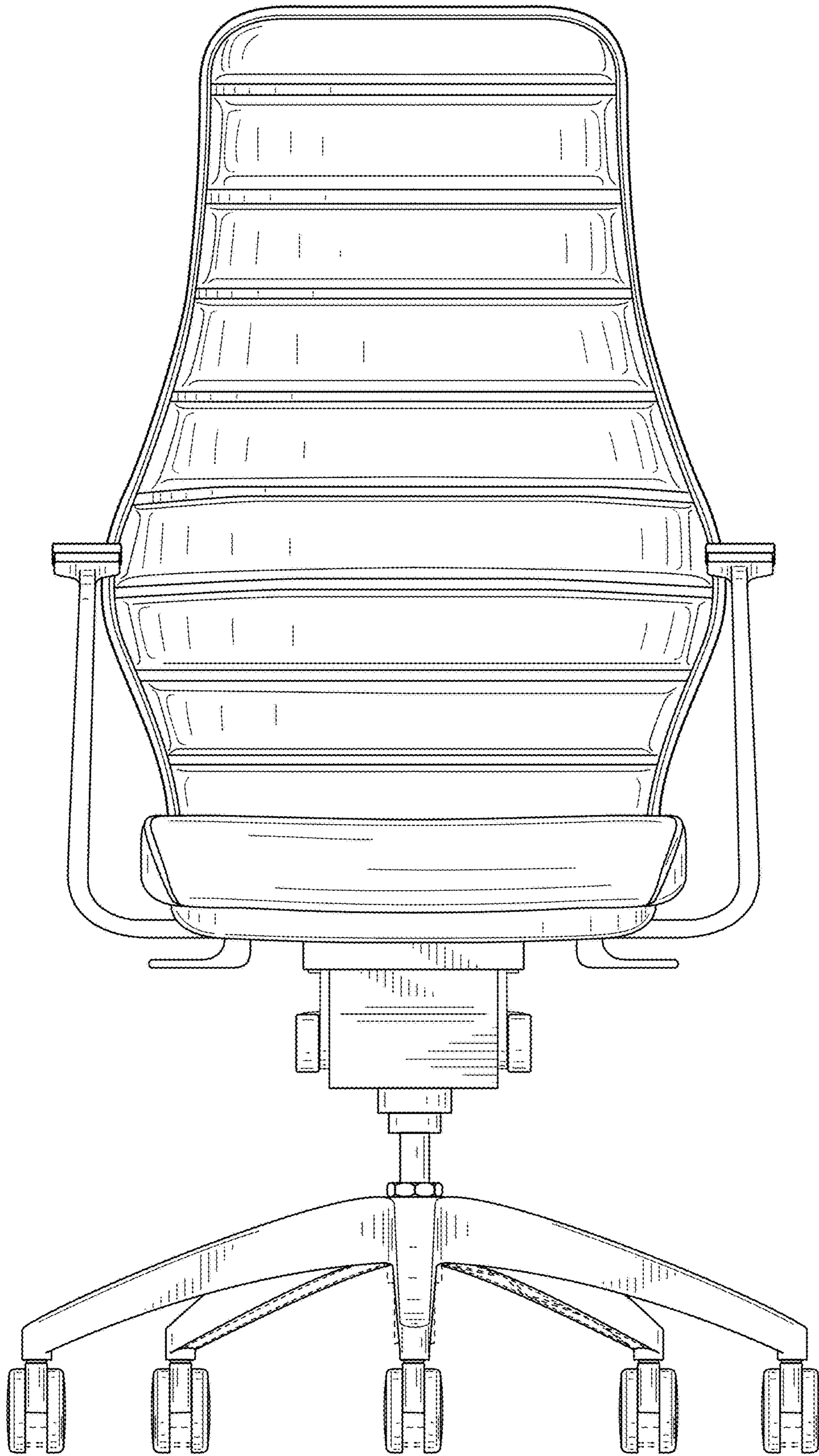


FIG. 2

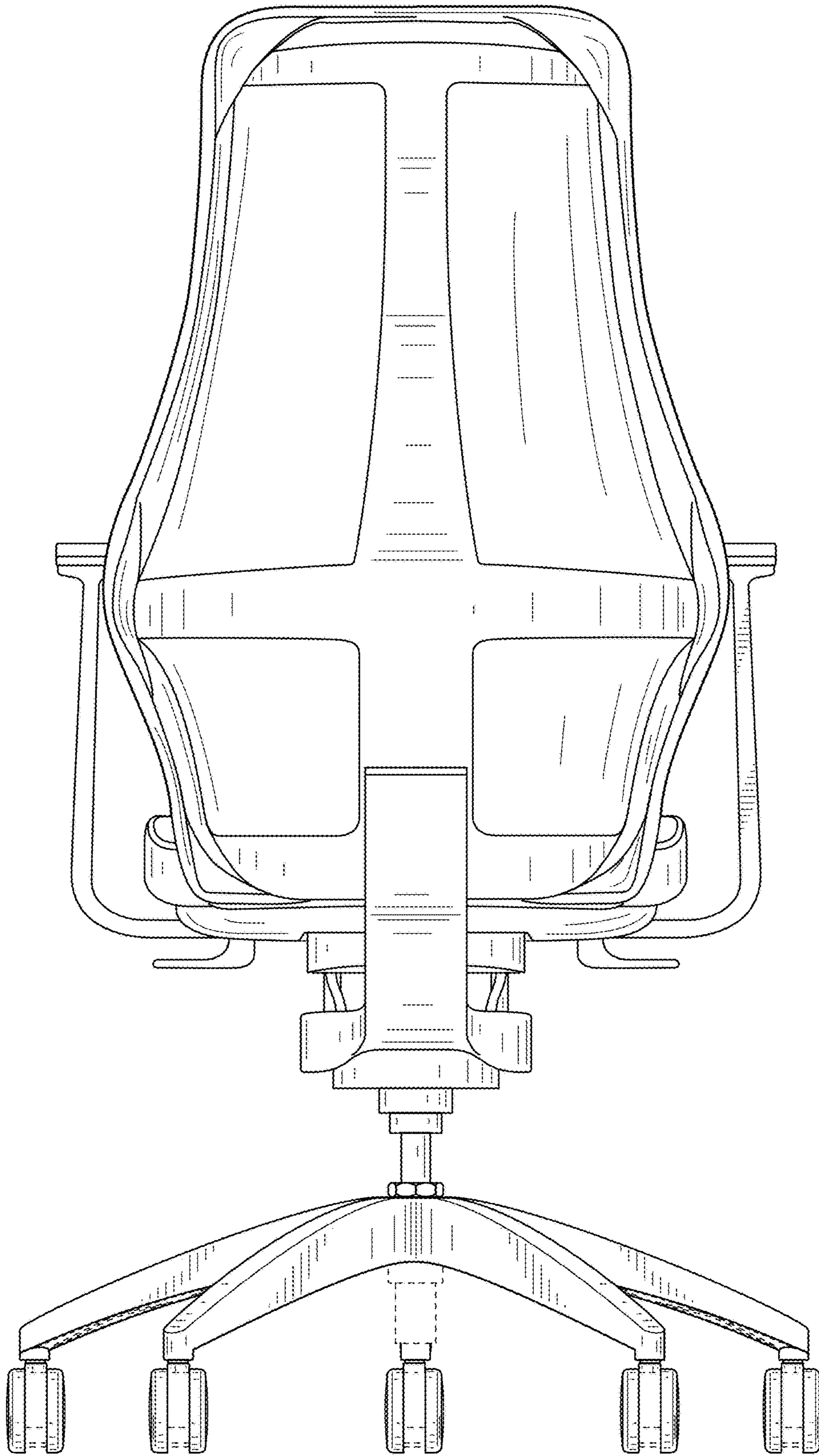


FIG. 3

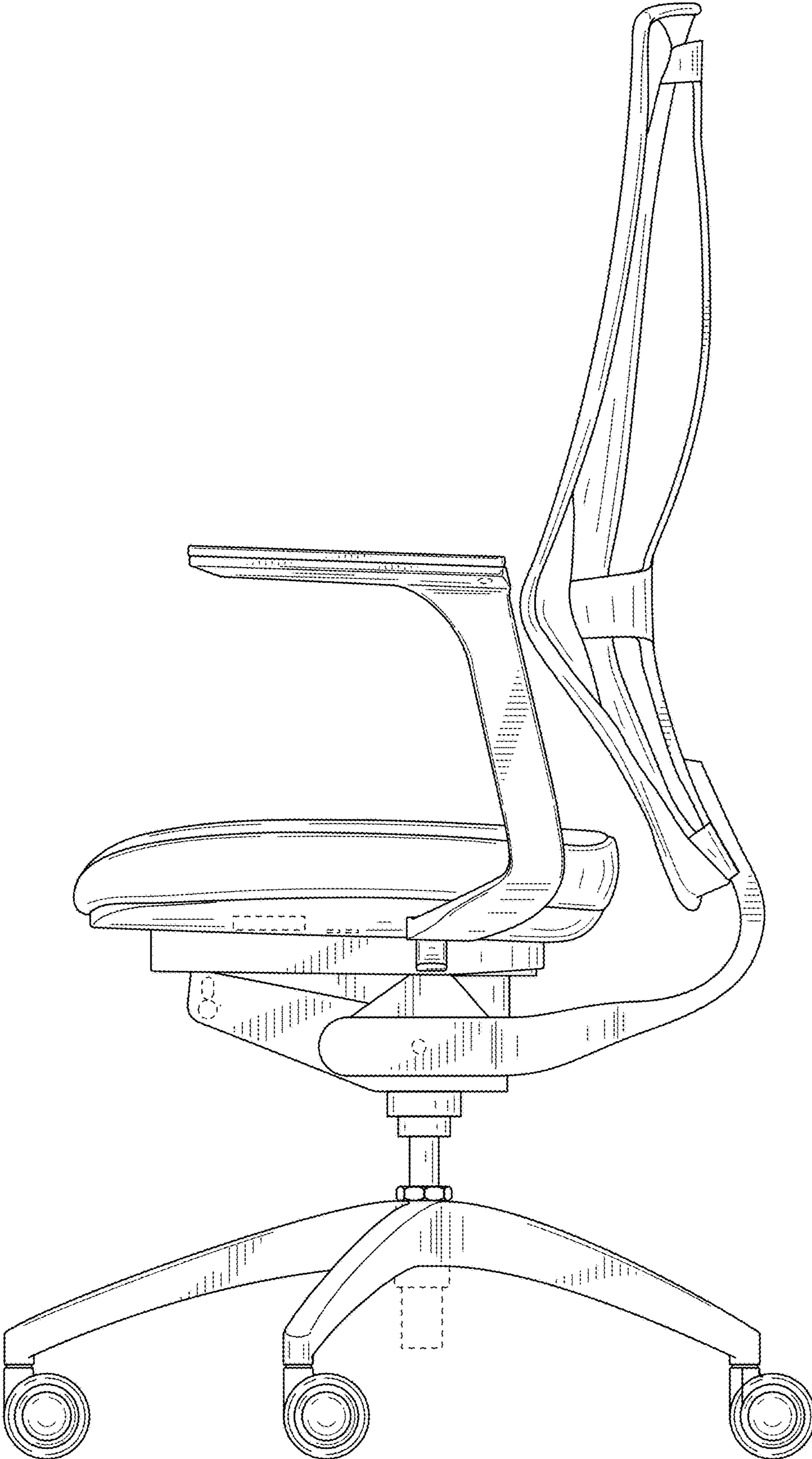


FIG. 4

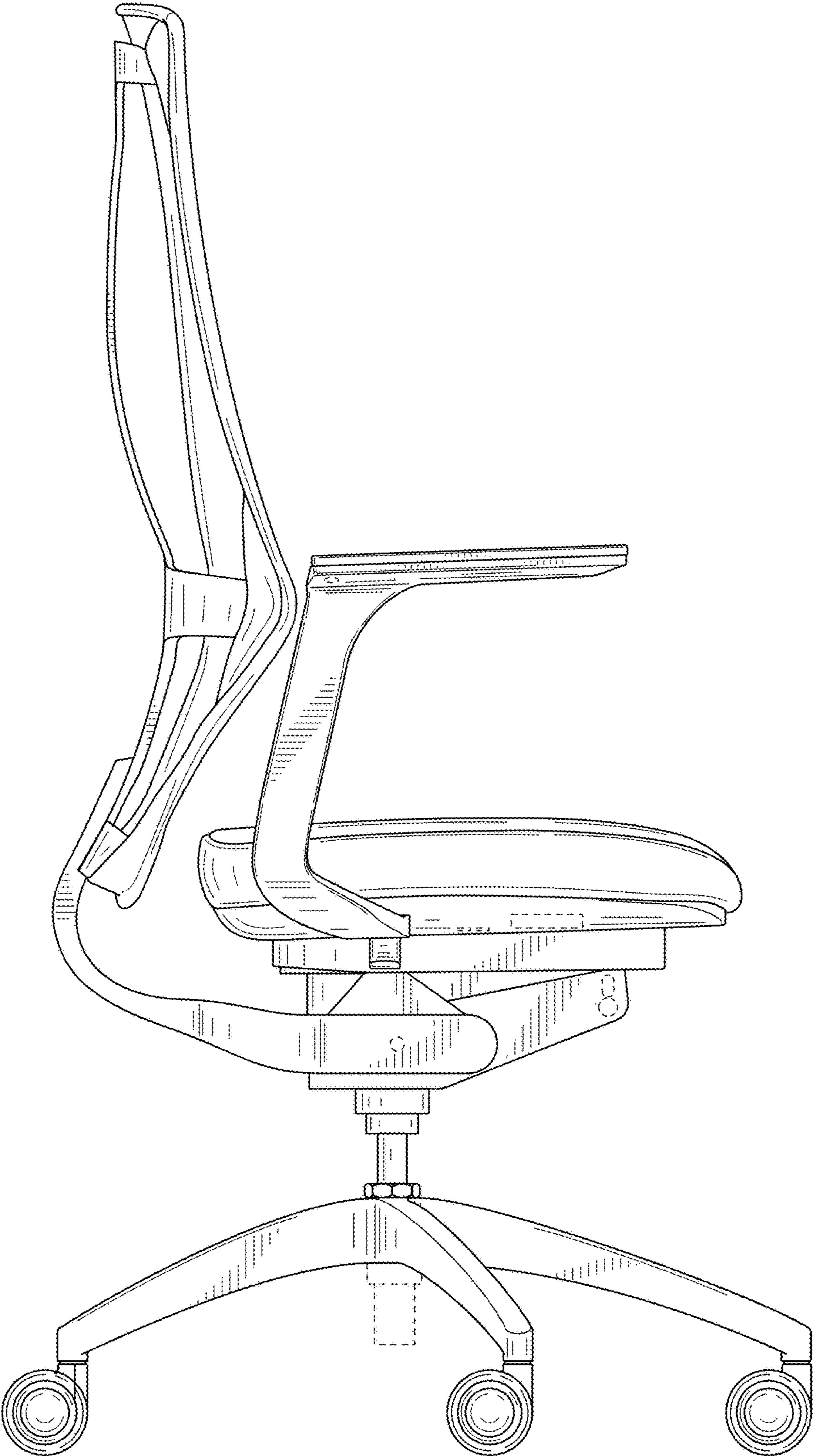


FIG. 5

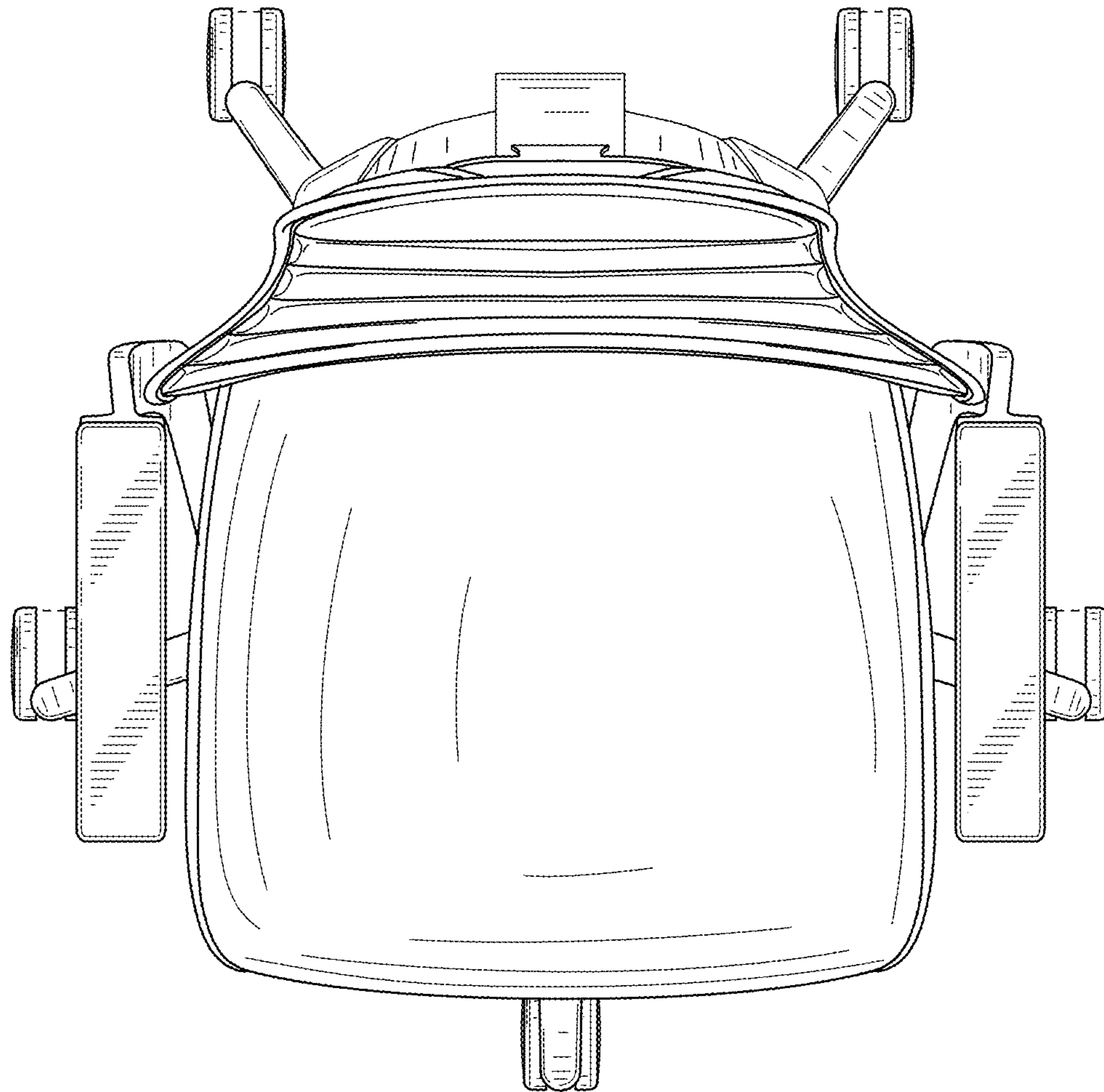


FIG. 6

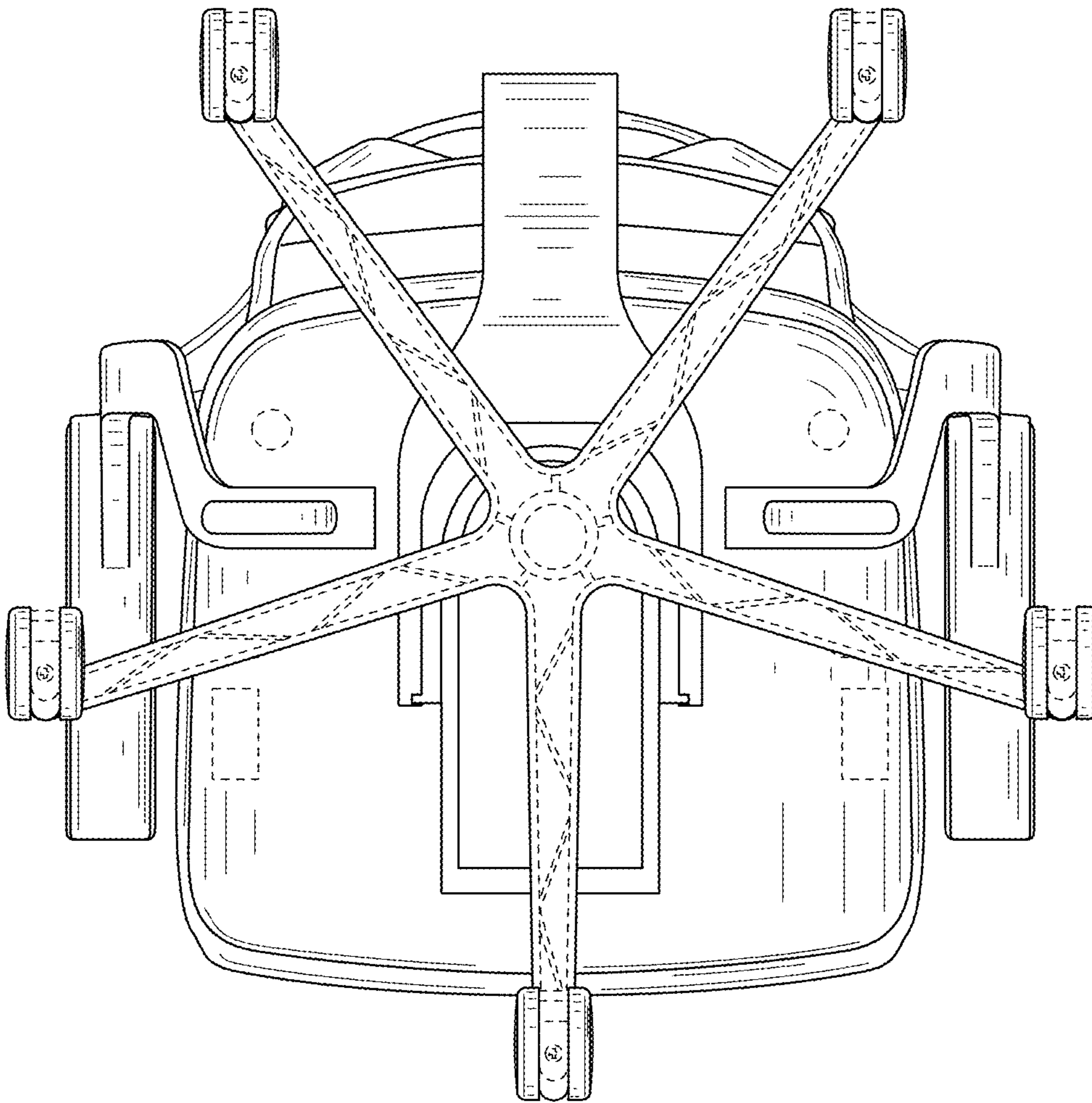


FIG. 7