



US00D775845S

(12) **United States Design Patent** (10) **Patent No.:** **US D775,845 S**
Reilly (45) **Date of Patent:** **** Jan. 10, 2017**

(54) **ZERO GRAVITY CHAIR**
(71) Applicant: **Bret Christopher Reilly**, Putnam Valley, NY (US)
(72) Inventor: **Bret Christopher Reilly**, Putnam Valley, NY (US)
(**) Term: **15 Years**

3,526,429 A 9/1970 Metzger
3,548,810 A 12/1970 Hoyer et al.
4,275,714 A 6/1981 Lewis
D293,633 S 1/1988 Saporiti
D294,891 S 3/1988 Gyaami
4,790,599 A 12/1988 Goldman
D304,394 S 11/1989 Harmer
D340,813 S * 11/1993 Liu D6/361
D381,524 S * 7/1997 Gabriel D6/361
5,904,402 A 5/1999 Sabo
5,967,609 A 10/1999 Potter

(21) Appl. No.: **29/546,947**

(22) Filed: **Nov. 30, 2015**

(51) **LOC (10) Cl.** **06-01**

(52) **U.S. Cl.**
USPC **D6/361**

(58) **Field of Classification Search**
USPC D6/334-336, 361, 367, 374, 375, 716,
D6/716.1, 716.2, 716.4
CPC A47C 7/50; A47C 7/506; A47C 7/18;
A47C 7/24; A47C 7/022
See application file for complete search history.

(56) **References Cited**

U.S. PATENT DOCUMENTS

2,482,306 A 9/1949 Waldheim
D165,058 S * 11/1951 Deutsch D6/361
2,588,029 A 3/1952 Morris
D167,491 S 8/1952 Witty
D168,429 S * 12/1952 Williams D6/361
D169,818 S * 6/1953 Krikorian D6/361
2,704,115 A 3/1955 Freedman et al.
D175,040 S * 6/1955 Race D6/361
D182,177 S 2/1958 Golden
D182,813 S 5/1958 Golden et al.
2,952,302 A 9/1960 Mittlieder
D190,909 S * 7/1961 Banyard D6/361
D210,875 S 4/1968 Stauber et al.
D217,449 S 5/1970 Meyer

FOREIGN PATENT DOCUMENTS

DE 10 2009 025 699 A 12/2010
FR 2 324 283 4/1977
GB 761805 11/1956

Primary Examiner — Mimosa De

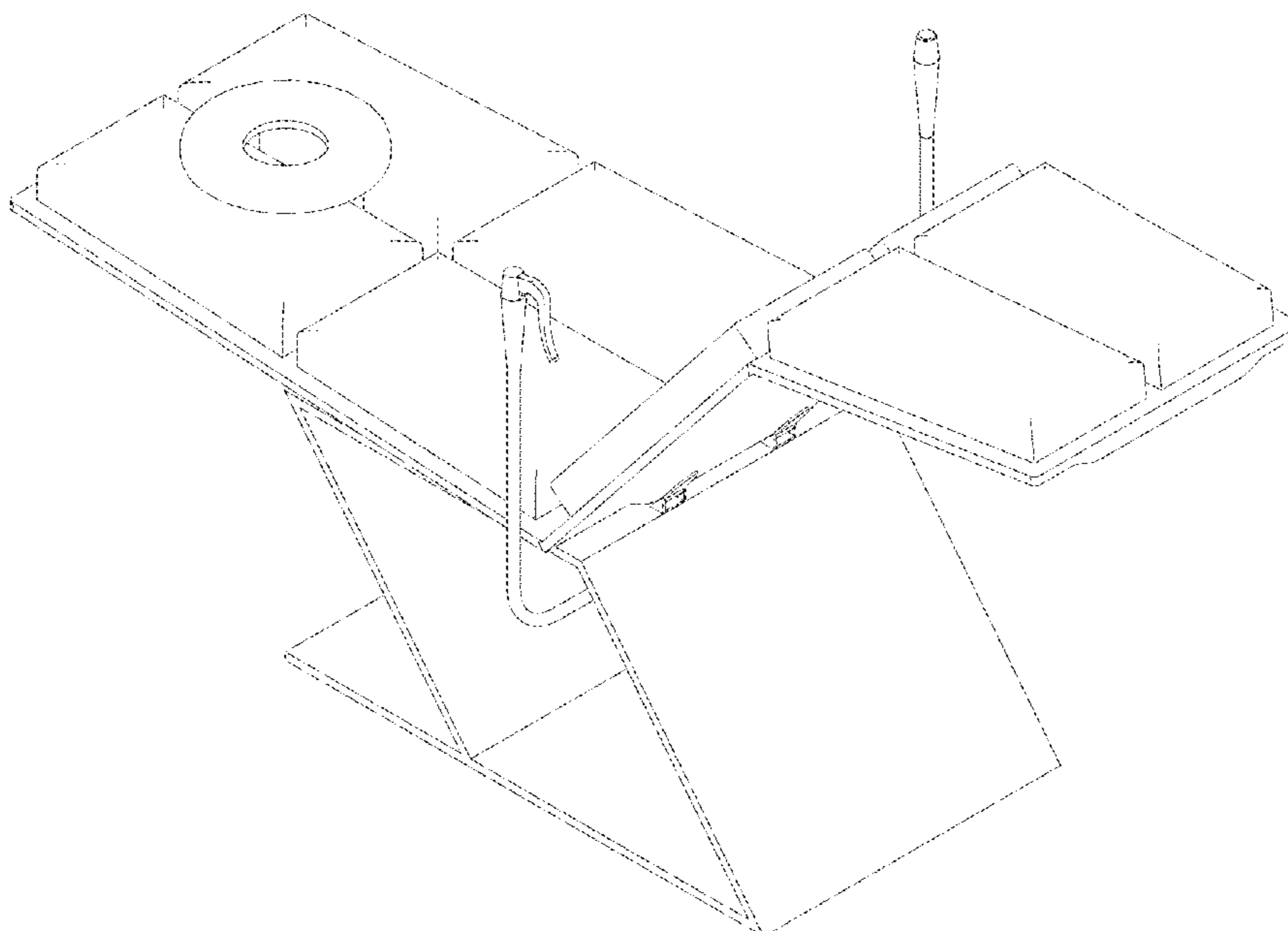
(57) **CLAIM**

The ornamental design for a zero gravity chair, as shown and described.

DESCRIPTION

FIG. 1 is a front perspective view of the zero gravity chair of the invention shown in an upright position;
FIG. 2 is a front perspective view of the zero gravity chair of the invention shown in a reclined position;
FIG. 3 is a top plan view of the chair of FIG. 2;
FIG. 4 is a top plan view of the chair of FIG. 1;
FIG. 5 is a side view of the chair of FIG. 2;
FIG. 6 is a side view of the chair of FIG. 1;
FIG. 7 is a rear view of the chair of FIG. 2;
FIG. 8 is a rear view of the chair of FIG. 1;
FIG. 9 is a front view of the chair of FIG. 2; and,
FIG. 10 is a front view of the chair of FIG. 1.

1 Claim, 10 Drawing Sheets



(56)

References Cited

U.S. PATENT DOCUMENTS

6,082,820	A	7/2000	Jeng
D429,908	S	8/2000	King
6,206,472	B1	3/2001	Waugh
D456,158	S	4/2002	Van Severen
D591,967	S	5/2009	Bunch
7,708,344	B1	5/2010	Broering et al.
7,722,114	B2	5/2010	Smith
D642,395	S	8/2011	Bladh et al.
8,186,754	B2	5/2012	Sharrow

* cited by examiner

Fig. 1

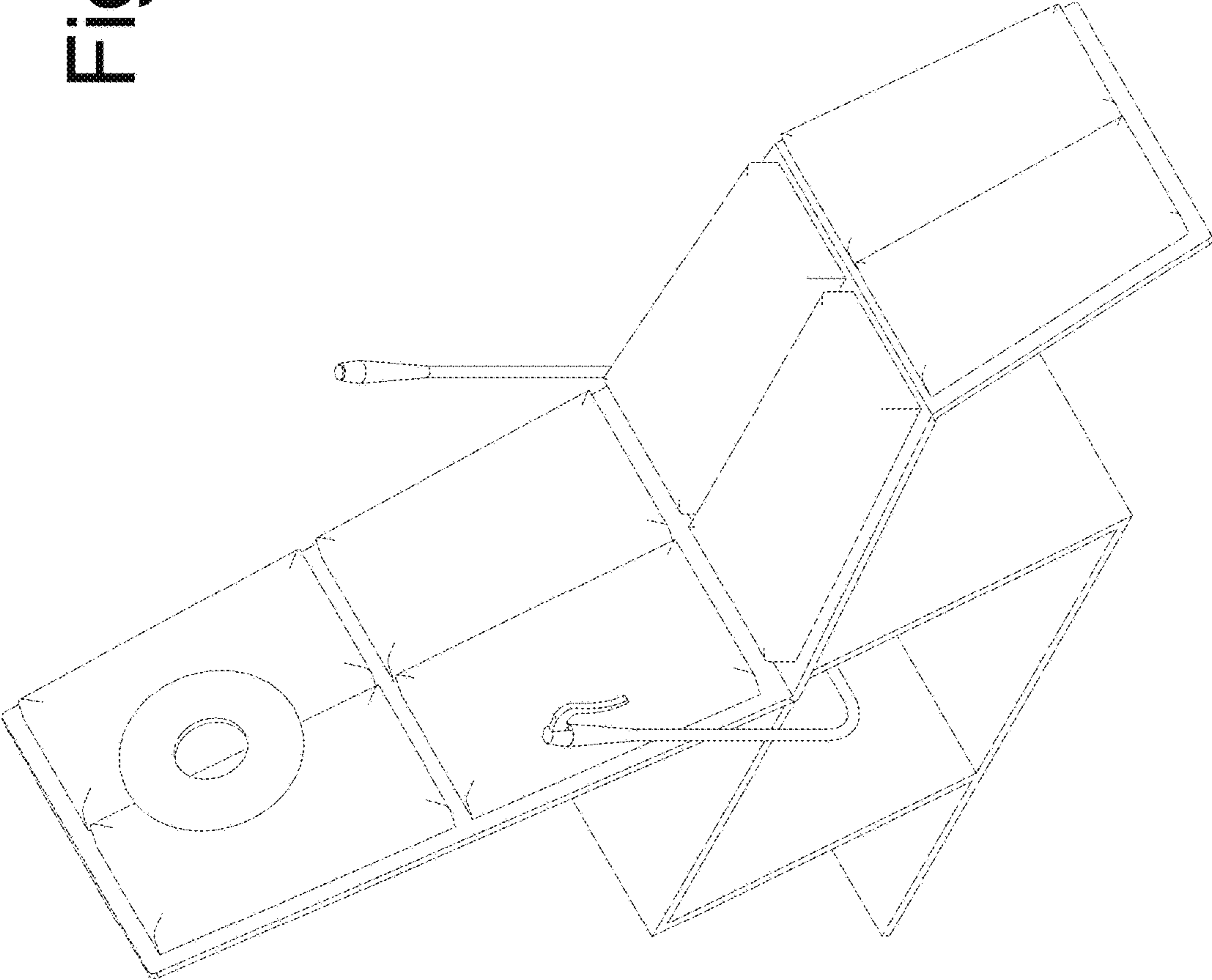
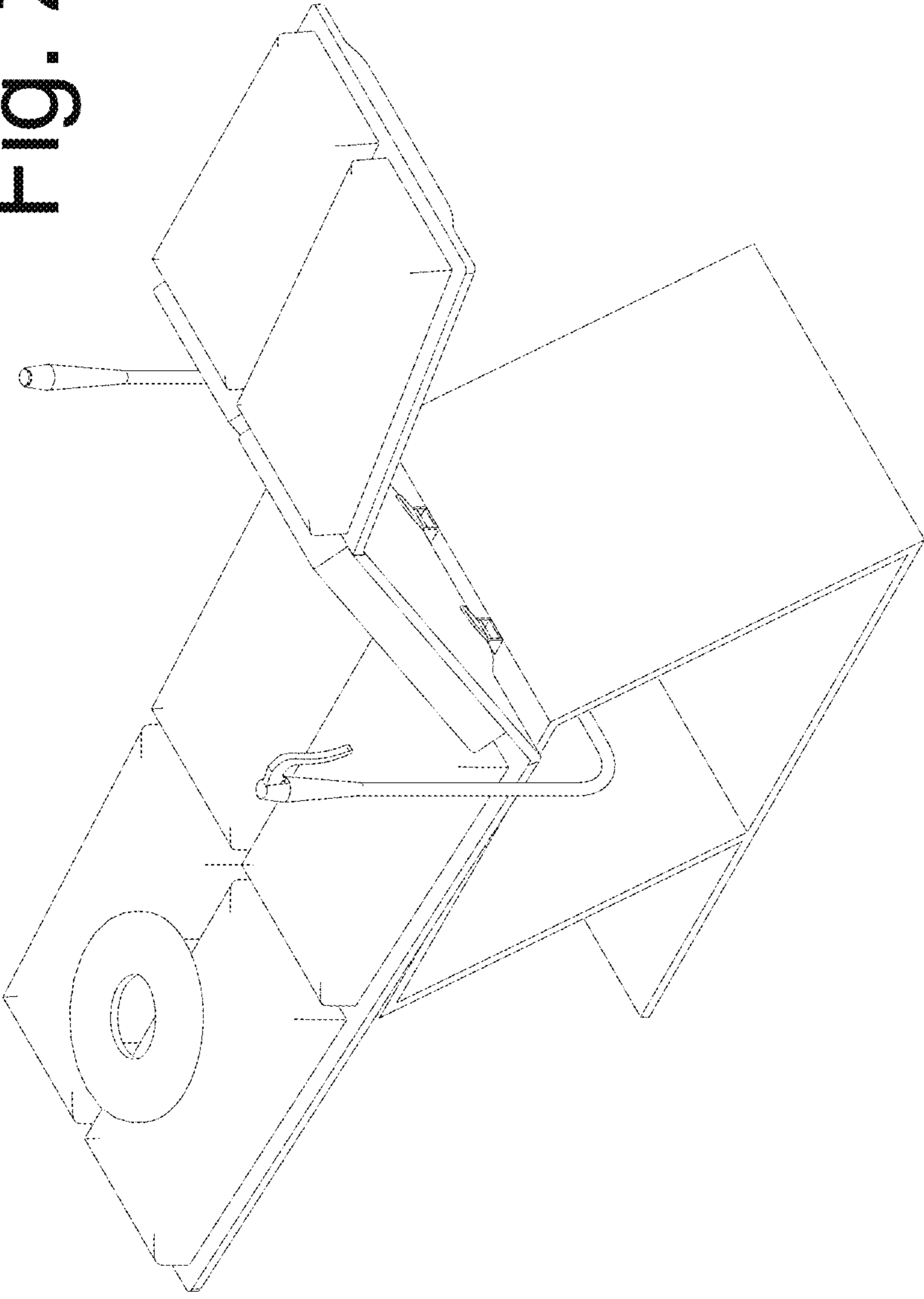


Fig. 2



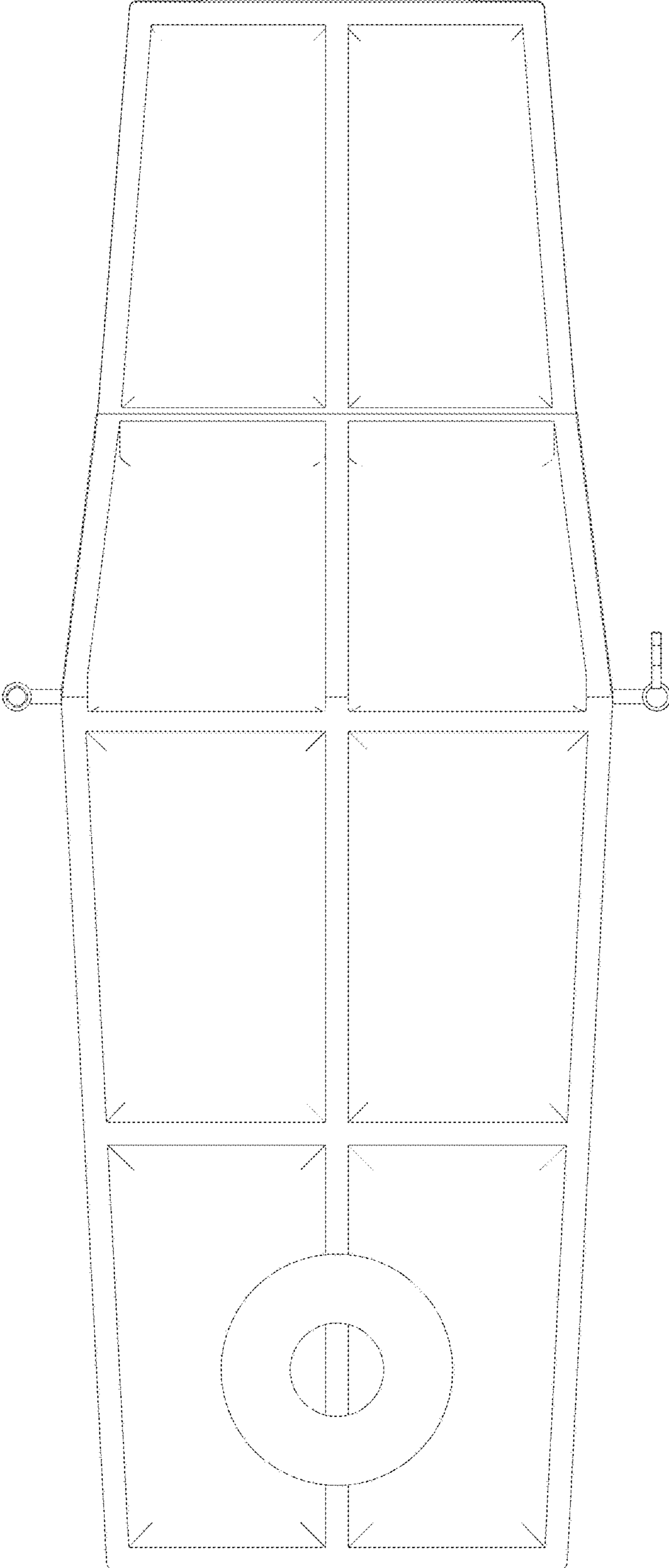


Fig. 3

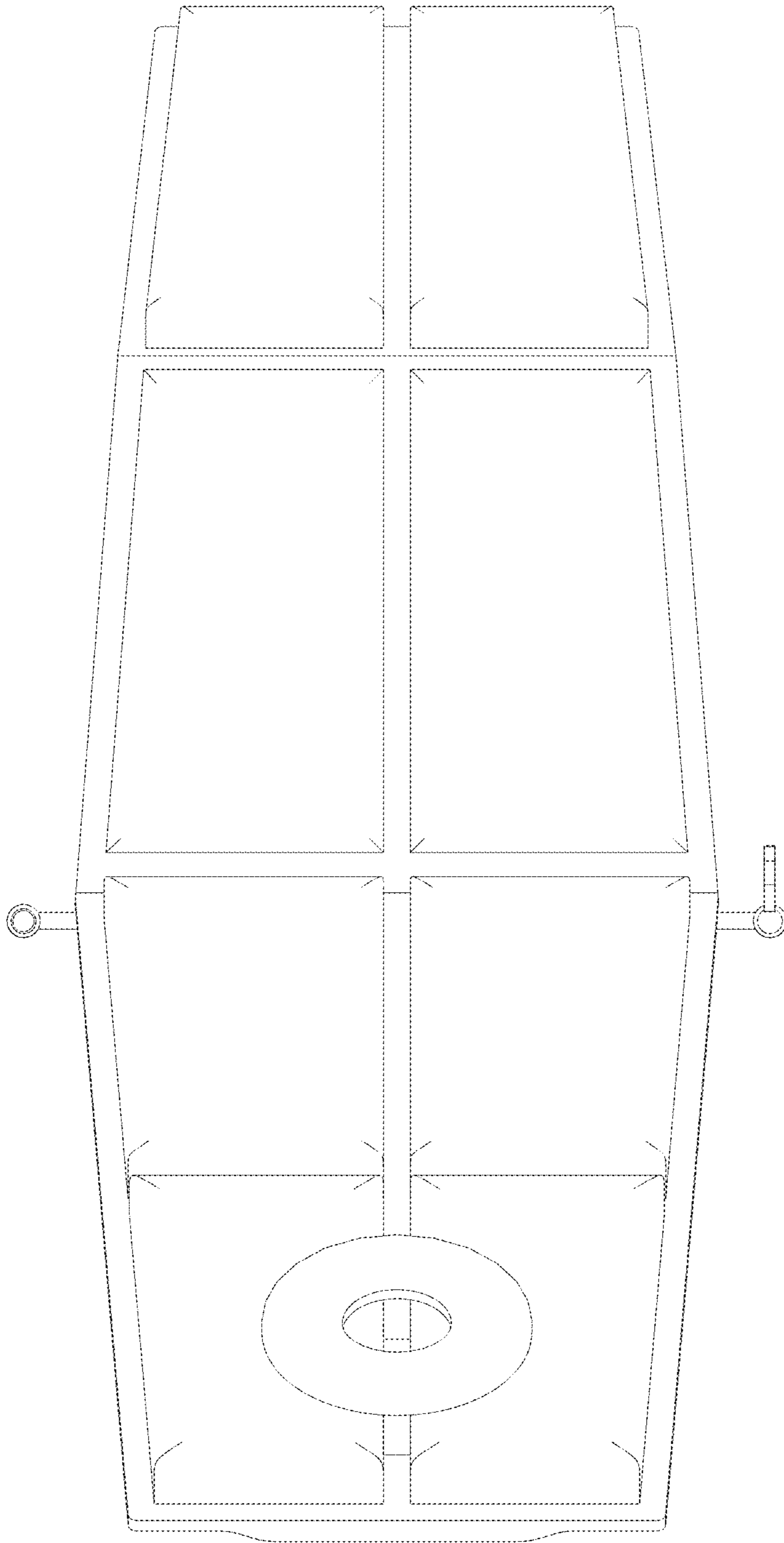


Fig. 4

Fig. 5

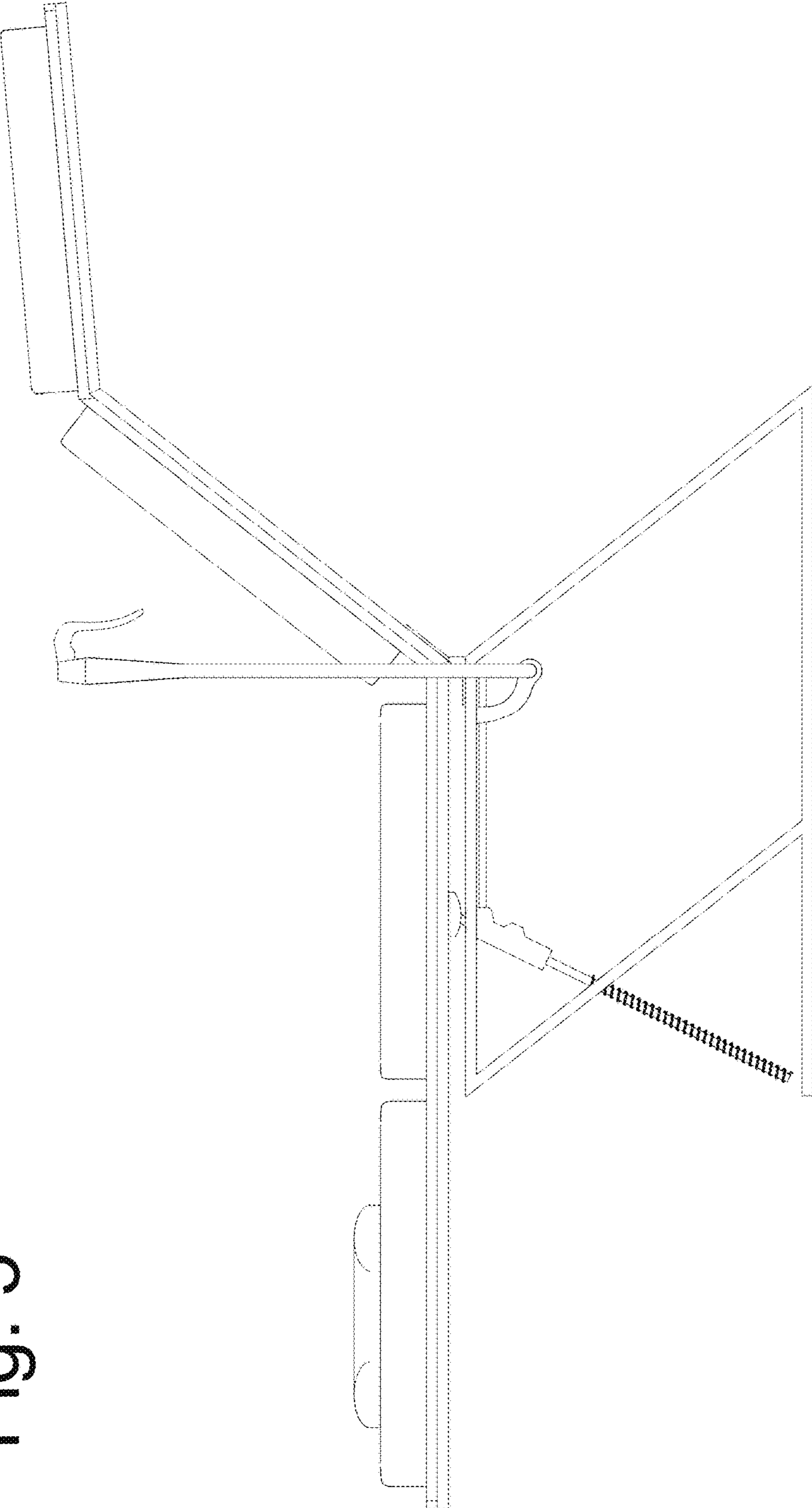


Fig. 6

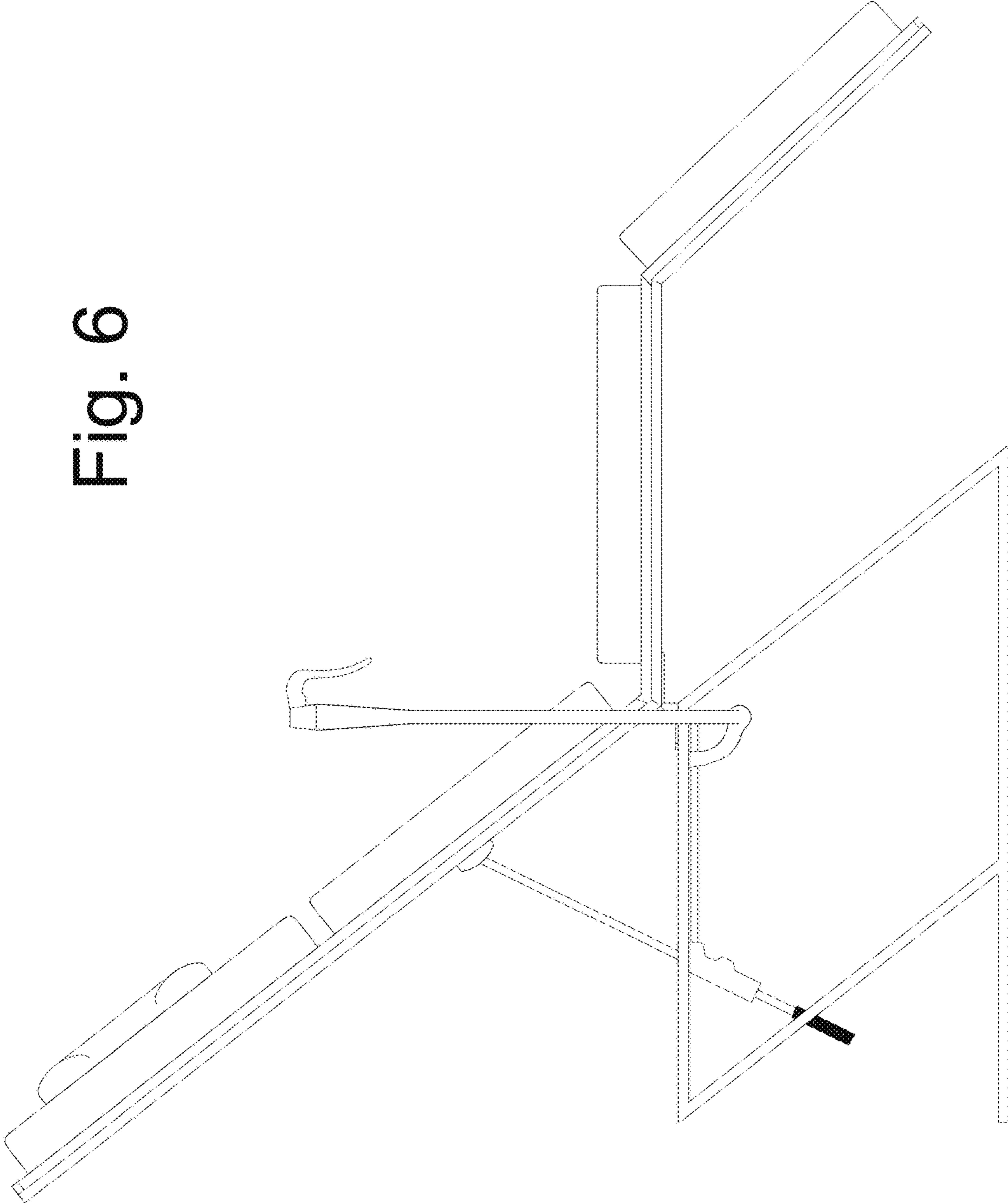


Fig. 7

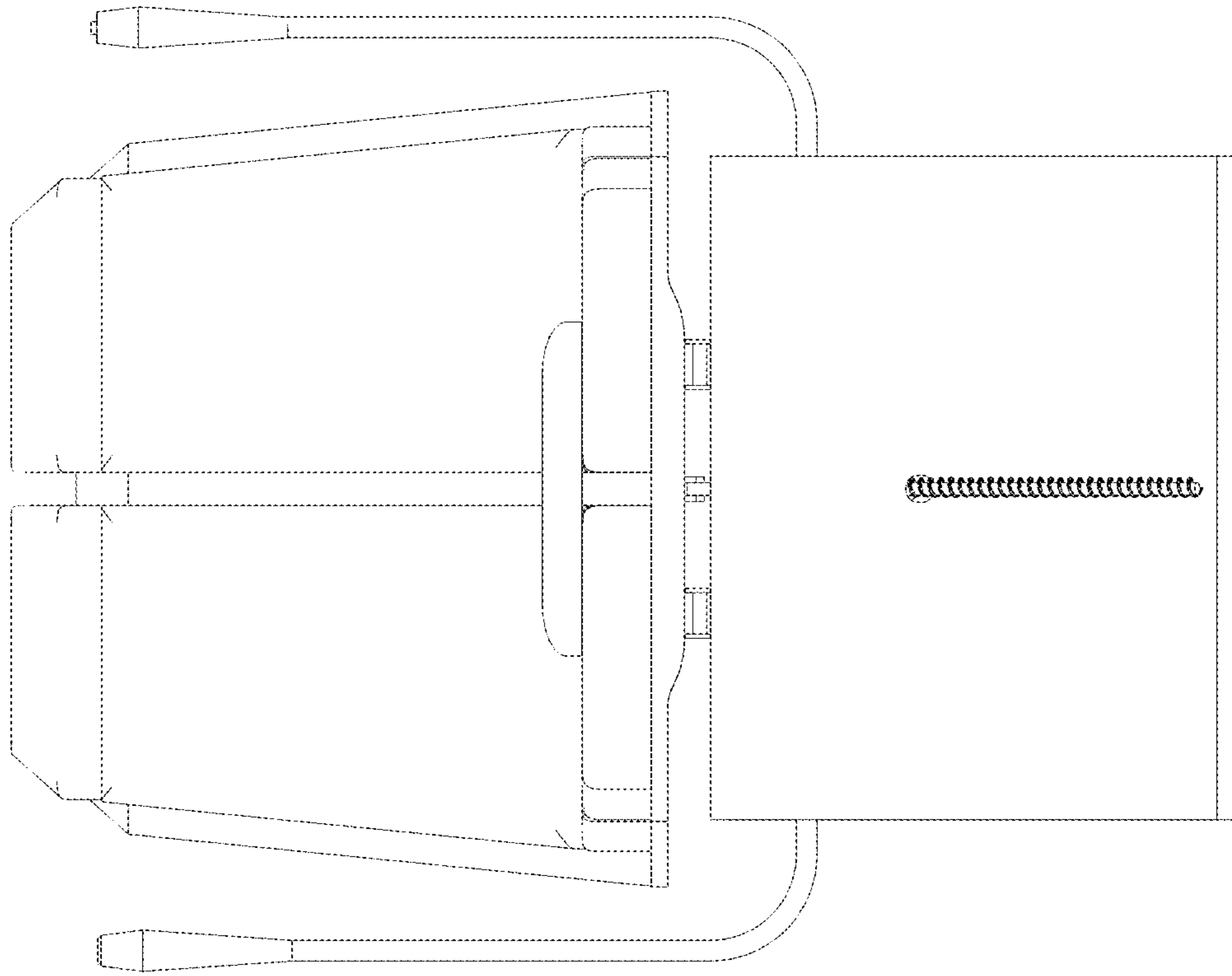


Fig. 8

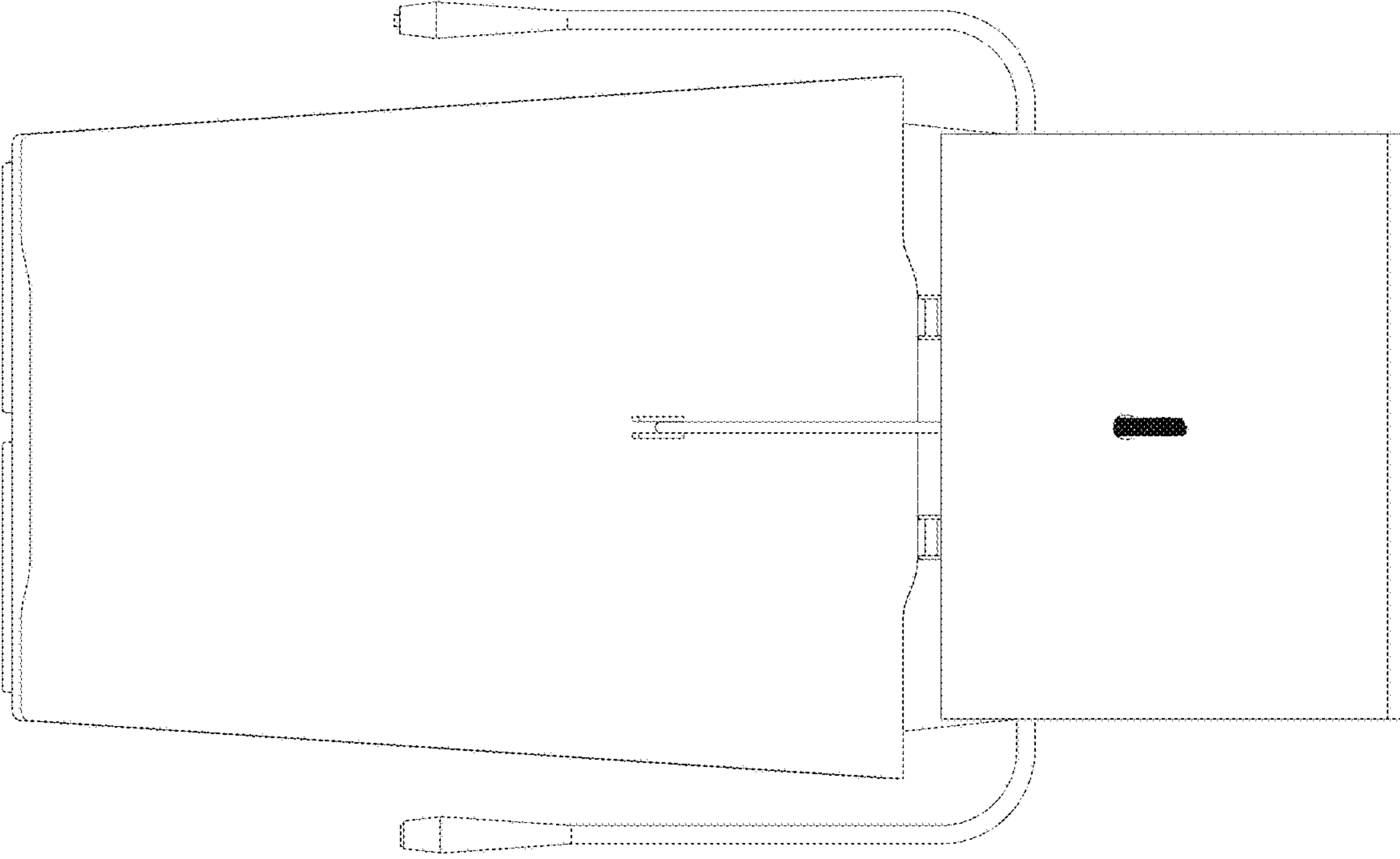


Fig. 9

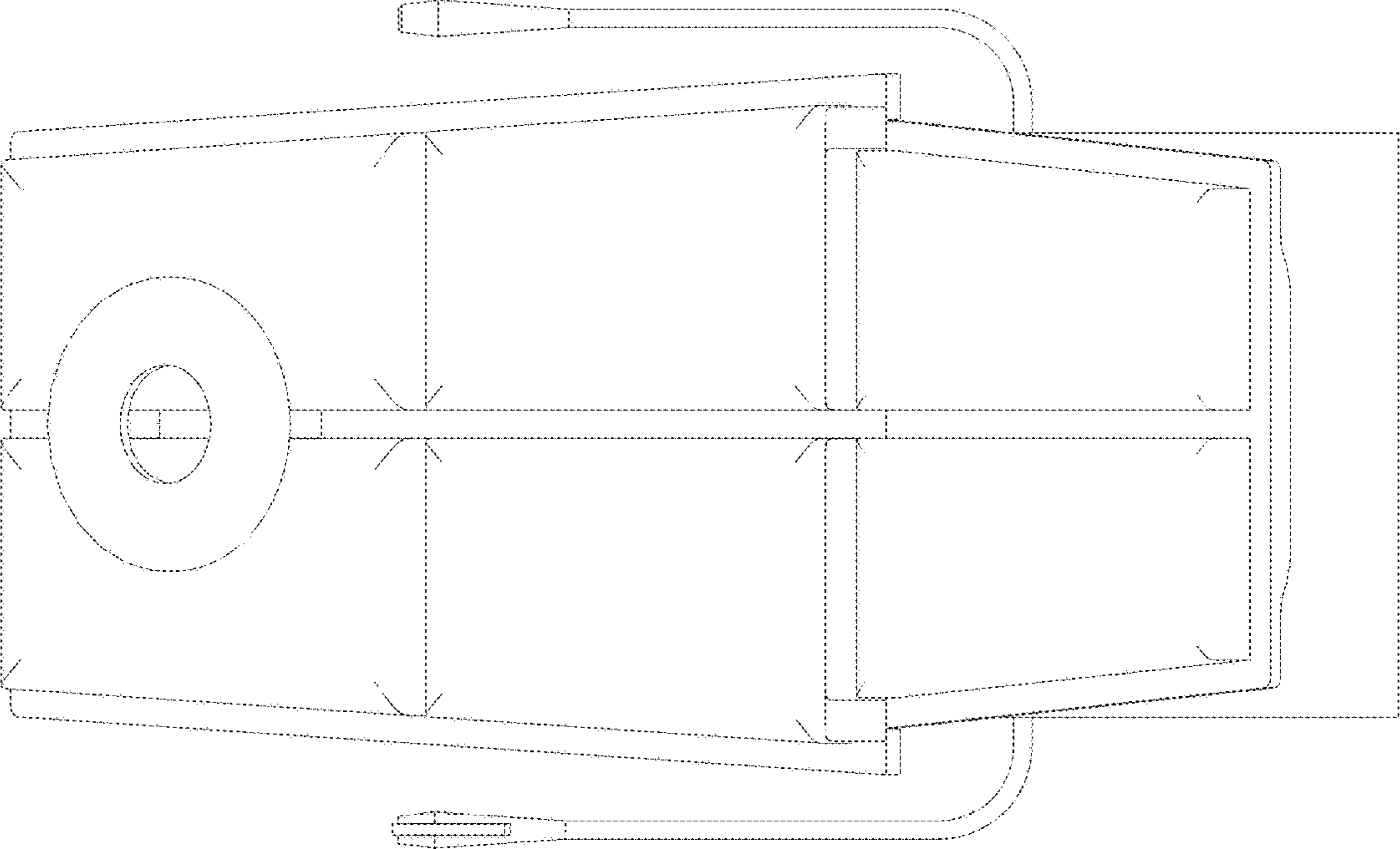


Fig. 10

