



US00D775841S

(12) **United States Design Patent** (10) **Patent No.:** **US D775,841 S**
Vanderheyden et al. (45) **Date of Patent:** **** Jan. 10, 2017**

(54) **DECORATIVE DISPLAY**

(56) **References Cited**

(71) Applicant: **3M INNOVATIVE PROPERTIES COMPANY**, St. Paul, MN (US)

U.S. PATENT DOCUMENTS

(72) Inventors: **Jacob P. Vanderheyden**, St. Paul, MN (US); **Judd D. Olson**, Deephaven, MN (US); **Stephan A. Hawthorne**, St. Paul, MN (US); **Thomas W. Floyd**, St. Paul, MN (US)

1,610,423 A 12/1926 Cawley
3,885,336 A 5/1975 Olsen
(Continued)

(73) Assignee: **3M INNOVATIVE PROPERTIES COMPANY**, St. Paul, MN (US)

FOREIGN PATENT DOCUMENTS

(**) Term: **15 Years**

(21) Appl. No.: **29/540,583**

(22) Filed: **Sep. 25, 2015**

TW D124053 8/2008
TW D132348 12/2009
WO WO 96/16580 6/1996

OTHER PUBLICATIONS

Square Tin Boxes (via dosenspezialist), available Nov. 12, 2013, [online], [site visited Apr. 14, 2016]. Available from internet, <URL: <http://www.dosenspezialist.com/products/tin-sort-by-shape/square>.
(Continued)

Related U.S. Application Data

(63) Continuation of application No. 29/484,169, filed on Mar. 6, 2014, now Pat. No. Des. 742,124.

Primary Examiner — Cathron Brooks
Assistant Examiner — Teddy Falloway
(74) *Attorney, Agent, or Firm* — Irina Hass

(51) **LOC (10) Cl.** **06-07**

(52) **U.S. Cl.**
USPC **D6/300; D6/553**

(58) **Field of Classification Search**
USPC D6/300–314, 553; D9/432, 433, 424, D9/430, 414, 415, 418, 737, 740, D9/743–745, 759, 700, 760; D7/354, D7/553.3, 553.2; 248/467; D10/21, 24, D10/25; D11/131, 132, 140; 428/900; 40/711, 730, 754, 746, 757, 761, 781, 40/597, 600
CPC A47G 1/06; A47G 1/142; A47G 1/616; A47G 1/0638; A47G 1/065; A47G 1/1686; A47G 1/17; A47G 2001/0666; A47G 2001/0672; A47G 1/0616; B65D 2543/00194; B65D 2543/00092; B65D 2543/00101; B65D 2543/00157; A21B 3/13;

(Continued)

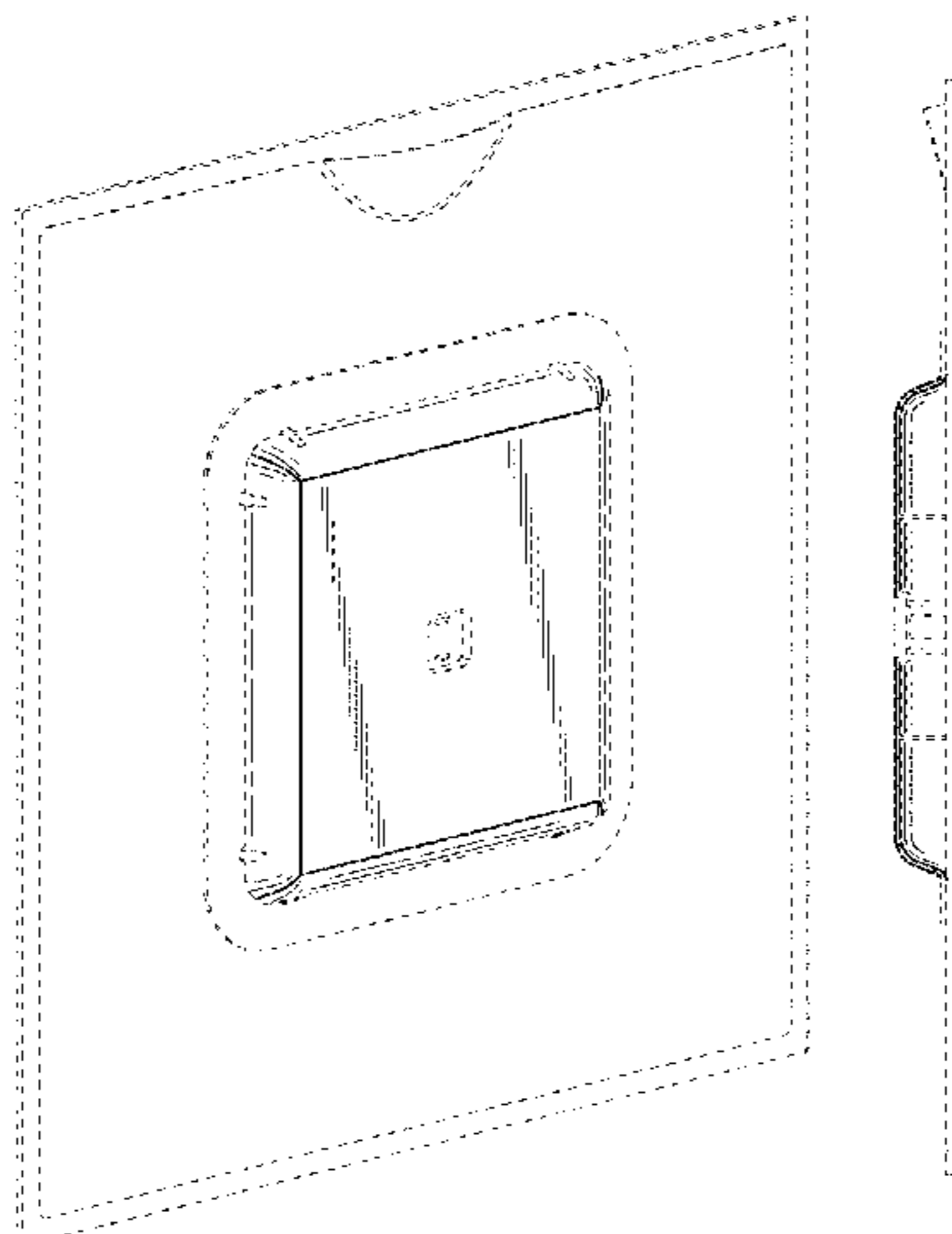
(57) **CLAIM**

The ornamental design for a decorative display, as shown and described.

DESCRIPTION

FIG. 1 is a perspective view showing the new design for a decorative display;
FIG. 2 is a front view thereof;
FIG. 3 is a rear view thereof;
FIG. 4 is a left side view thereof, a right side view being a mirror image thereof;
FIG. 5 is a top view thereof;
FIG. 6 is a bottom view thereof;
FIG. 7 is a cross-sectional view taken along line 7-7 of FIG. 2; and,
FIG. 8 is a perspective view thereof showing the decorative display with a decorative display base.

(Continued)



The portions of the decorative display in FIGS. 1-8 shown in broken lines are included to show features that form no part of the claimed design.

1 Claim, 5 Drawing Sheets

(58) Field of Classification Search

CPC .. G09F 19/22; G09F 15/0018; G09F 13/0404; G06F 2200/1633

See application file for complete search history.

(56) References Cited

U.S. PATENT DOCUMENTS

3,952,435	A	4/1976	Olsen	
3,979,846	A	9/1976	Euzarraga	
4,040,593	A	8/1977	Wiley	
4,061,371	A	12/1977	Prather	
4,143,496	A	3/1979	Destito	
4,167,385	A	9/1979	DeRezendes	
4,437,639	A	3/1984	Stein	
4,561,200	A	12/1985	Hehn	
D282,825	S	3/1986	Kostios	
4,875,259	A	10/1989	Appeldorn	
4,892,284	A	1/1990	Kelrick	
4,900,604	A	2/1990	Martinez	
4,979,323	A	12/1990	Wenkman	
5,069,411	A	12/1991	Murphy	
5,075,991	A	12/1991	Wenkman	
5,077,870	A	1/1992	Melbye	
5,133,526	A	7/1992	Olmsted	
5,201,101	A *	4/1993	Rouser	24/586.11
5,256,231	A	10/1993	Gorman	
D340,810	S	11/1993	Wenkman	
5,342,014	A	8/1994	Wilson	
5,360,270	A	11/1994	Appeldorn	
5,523,129	A	6/1996	McGeehan-Hatch	
D377,451	S	1/1997	Gumowitz	
5,616,394	A	4/1997	Gorman	
D380,962	S	7/1997	Trigger	
5,743,507	A	4/1998	Rushing	
5,845,375	A	12/1998	Miller	
5,878,987	A	3/1999	Hayde	
5,931,439	A	8/1999	Lemire	
5,947,438	A	9/1999	Lemire	
6,032,915	A	3/2000	Brindisi	
6,086,973	A	7/2000	Hazes	
6,241,210	B1	6/2001	Brindisi	
6,408,795	B1	6/2002	Goodger	
D463,741	S	10/2002	Green	
6,527,244	B1	3/2003	Kamenstein	
D475,620	S	6/2003	Chen	
6,666,425	B1	12/2003	Ferguson	
6,692,807	B2	2/2004	Bries	
D489,599	S	5/2004	Lam	
6,820,853	B1	11/2004	DuBarry	
6,832,445	B2	12/2004	Pitzen	
6,972,141	B1	12/2005	Bries	
D519,375	S	4/2006	Brooks	
7,303,805	B2	12/2007	Seth	
D571,146	S	6/2008	Sanfillippo	
D584,141	S	1/2009	Smith	
D590,655	S	4/2009	Freeman	
7,516,524	B2	4/2009	Provost	
D591,555	S	5/2009	Sanfilippo	
D600,111	S	9/2009	Gerulski	
D600,499	S *	9/2009	Bizzell	D7/540

D600,501	S	9/2009	Bizzell	
7,762,517	B1	7/2010	Leseman	
D632,955	S	2/2011	Smith, III	
7,913,967	B1	3/2011	Aleo	
D658,492	S	5/2012	Akana	
D659,530	S	5/2012	Akana	
8,397,411	B2	3/2013	Russo	
D679,179	S	4/2013	Ritter	
D681,333	S	5/2013	Crapser	
D685,654	S	7/2013	Akana	
D690,198	S	9/2013	Haracourt	
D694,101	S	11/2013	Radomyselski	
D709,131	S	7/2014	Dolan	
D729,588	S	5/2015	Breton	
D730,066	S	5/2015	Hellbusch	
D731,230	S	6/2015	Librus	
D731,248	S	6/2015	Breton	
D739,661	S *	9/2015	Vanderheyden	D6/300
D741,069	S *	10/2015	Vanderheyden	D6/300
D741,171	S	10/2015	Thurin	
D742,124	S *	11/2015	Vanderheyden	D6/300
D742,224	S	11/2015	Thurin	
D744,761	S	12/2015	Hellbusch	
D746,599	S *	1/2016	Olson	D6/300
D746,600	S *	1/2016	Olson	D6/300
D746,601	S *	1/2016	Olson	D6/300
D746,602	S *	1/2016	Olson	D6/300
D746,603	S *	1/2016	Gale	D6/300
D747,110	S *	1/2016	Olson	D6/300
D747,888	S *	1/2016	Olson	D6/300
D750,478	S	3/2016	Kiss	
D752,973	S	4/2016	Thurin	
D762,083	S *	7/2016	Librus	D7/354
2002/0142155	A1	10/2002	Steinberg	
2002/0182494	A1	12/2002	Hayashi	
2004/0221540	A1	11/2004	Simons	
2005/0136214	A1	6/2005	Most	
2005/0269232	A1	12/2005	Eisenbraun	
2006/0214080	A1	9/2006	de Keratry	
2007/0039849	A1	2/2007	Rodriguez	
2007/0065618	A1	3/2007	Fischer	
2007/0075211	A1	4/2007	Potter	
2008/0244950	A1	10/2008	Golden	
2009/0068632	A1	3/2009	Thompson	
2010/0096532	A1	4/2010	Grevé	
2010/0108837	A1	5/2010	Felton	
2010/0116964	A1	5/2010	Aleo	
2010/0325929	A1	12/2010	Favron	
2011/0042542	A1	2/2011	Russo	
2011/0049325	A1	3/2011	Johnson	
2011/0159234	A1	6/2011	Pai	
2011/0163215	A1	7/2011	Walters	
2012/0233898	A1	9/2012	Horne	
2013/0008013	A1	1/2013	Chang	
2014/0065278	A1	3/2014	Feriola	
2014/0305771	A1	10/2014	Ng	
2014/0353455	A1	12/2014	Floyd	
2015/0225115	A1	8/2015	Nakamura	

OTHER PUBLICATIONS

Square Junction Box (YouTube), available Nov. 9, 2012, [online], [site visited Apr. 14, 2016]. Video available from internet, <URL: <https://www.youtube.com/watch?v=Opnhmz8gMRE>.
 Dryer Box (via Better Venting), available Nov. 9, 2011, [online], [site visited Apr. 14, 2016]. Available from internet, <URL: <http://betterventing.com/PRODUCTS/New-Construction/Modei-3D-Dryerbox-2x4-wall-down.html>.

* cited by examiner

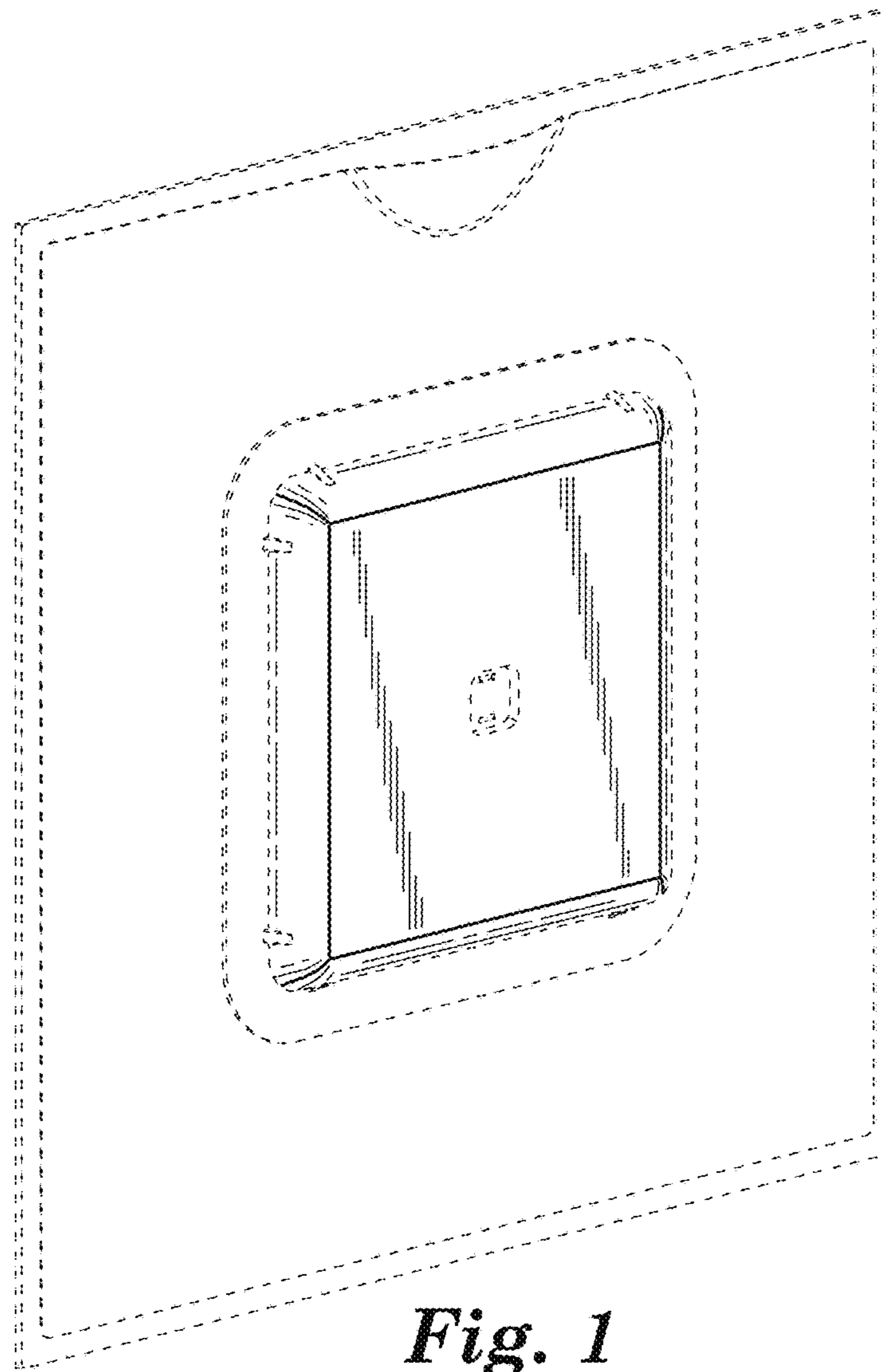


Fig. 1

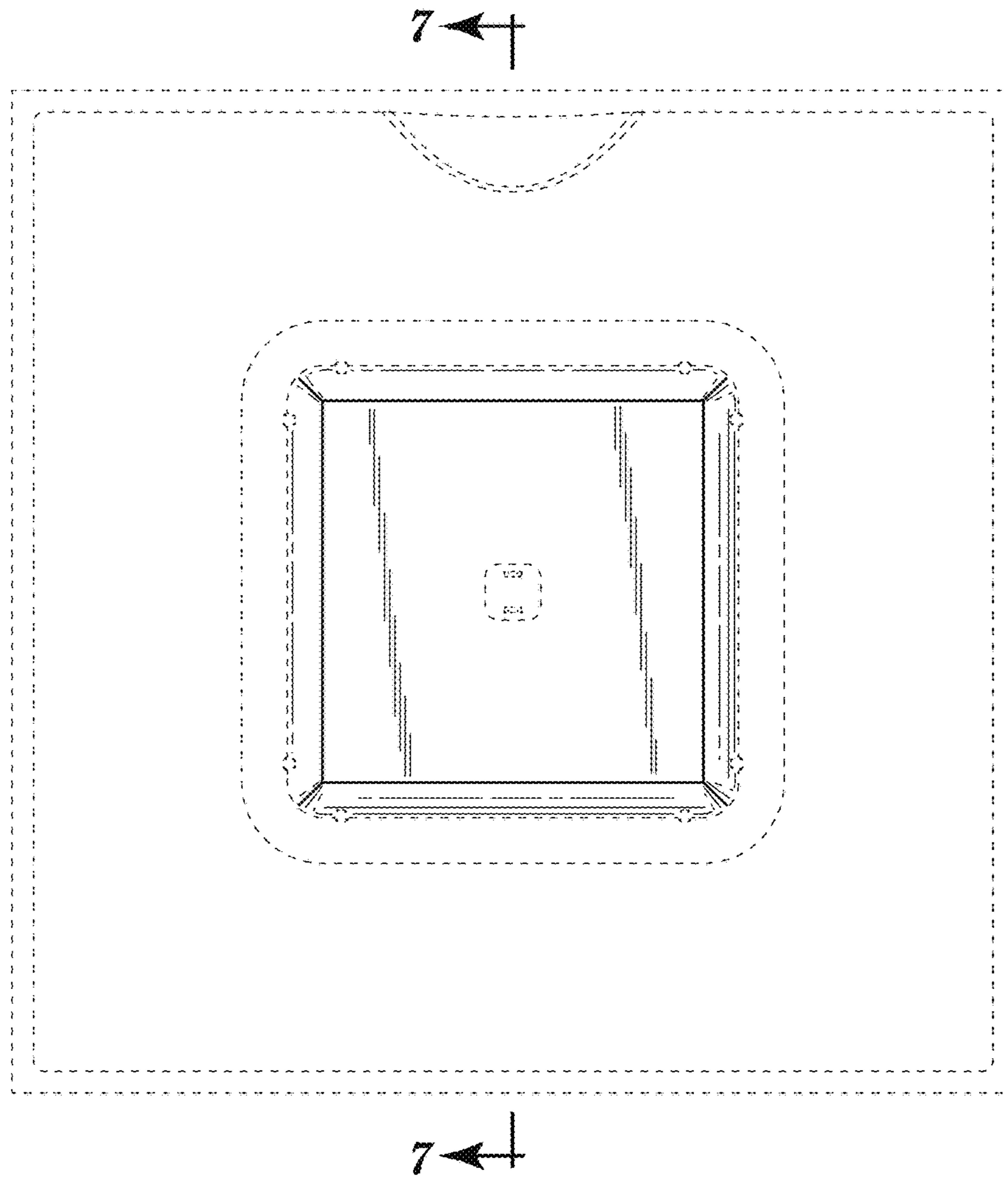


Fig. 2



Fig. 3

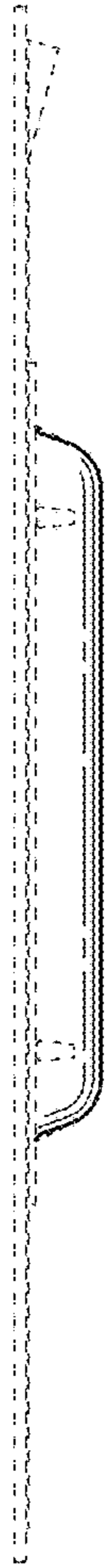


Fig. 4

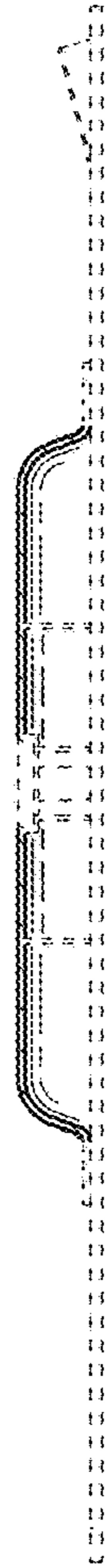


Fig. 7

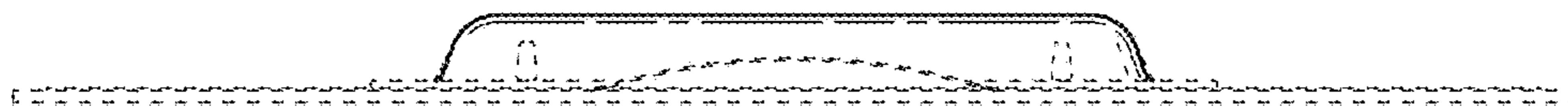


Fig. 5

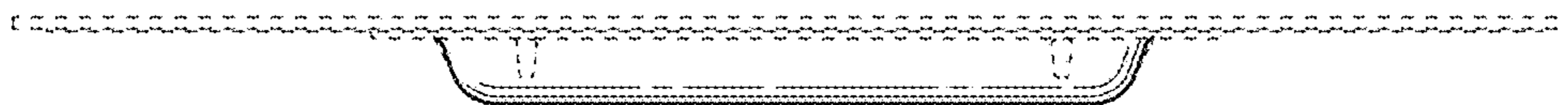


Fig. 6

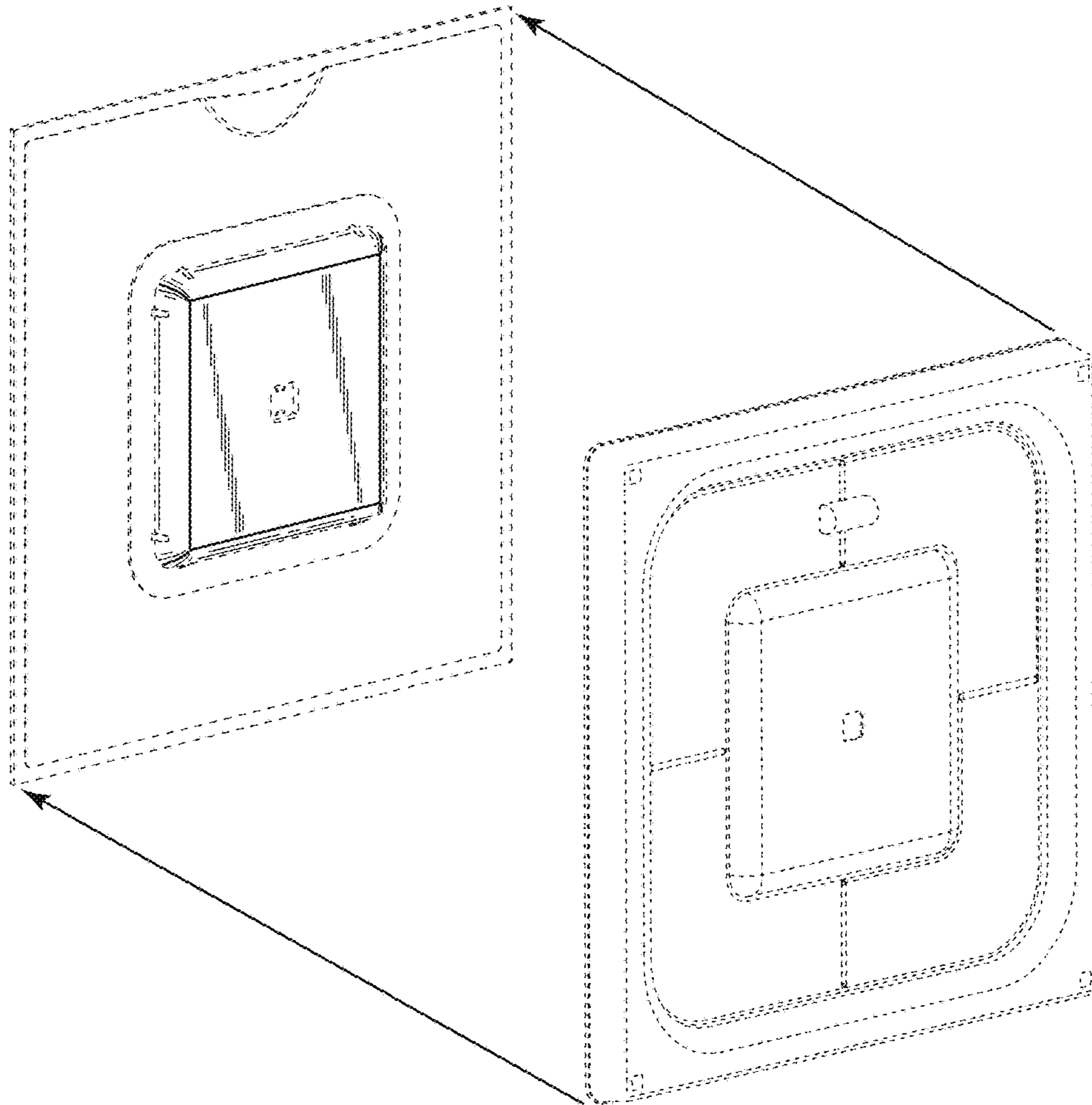


Fig. 8