



US00D775836S

(12) **United States Design Patent** (10) **Patent No.:** **US D775,836 S**
Sedic (45) **Date of Patent:** **** Jan. 10, 2017**

(54) **TOOTHBRUSH HEAD**
(71) Applicant: **Filip Sedic**, Shanghai (CN)
(72) Inventor: **Filip Sedic**, Shanghai (CN)
(**) Term: **15 Years**

(21) Appl. No.: **29/531,561**
(22) Filed: **Jun. 26, 2015**
(51) **LOC (10) Cl.** **04-02**
(52) **U.S. Cl.**
USPC **D4/101**
(58) **Field of Classification Search**
USPC D4/100–102, 104–118, 124–125,
D4/127–132, 136, 138
CPC A46B 5/00; A46B 5/0004; A46B 5/0008;
A46B 5/0012; A46B 5/002; A46B 5/0095;
A46B 9/04; A46B 11/0006; A46B
2200/1066; A61B 17/24; A61C 17/16
See application file for complete search history.

(56) **References Cited**

U.S. PATENT DOCUMENTS

D402,116 S * 12/1998 Magloff D4/104
D536,452 S * 2/2007 Geiberger D24/147
D578,772 S * 10/2008 Provost D4/136
D617,563 S * 6/2010 Wagner D4/105
D669,687 S * 10/2012 Heil D4/101
D693,581 S * 11/2013 Ballmaier D4/104
D750,894 S * 3/2016 Huy D4/108
9,402,461 B2 8/2016 Brik et al.
2005/0241091 A1 * 11/2005 Foster A46B 9/005
15/167.1
2006/0064833 A1 * 3/2006 Jacobs A46B 15/0002
15/110
2011/0151404 A1 * 6/2011 Dombrowski A46B 15/00
433/96

2014/0261538 A1 * 9/2014 Elseri A46B 9/005
134/6
2015/0173502 A1 * 6/2015 Sedic A46B 9/04
15/22.1
2016/0175154 A1 6/2016 Olson

FOREIGN PATENT DOCUMENTS

EP 2 328 437 B1 4/2016
FR 2909532 A1 * 6/2008 A45D 40/265

* cited by examiner

Primary Examiner — Catheri Oliver-Garcia
Assistant Examiner — Rebekah A. Caruso
(74) *Attorney, Agent, or Firm* — Fenwick & West LLP

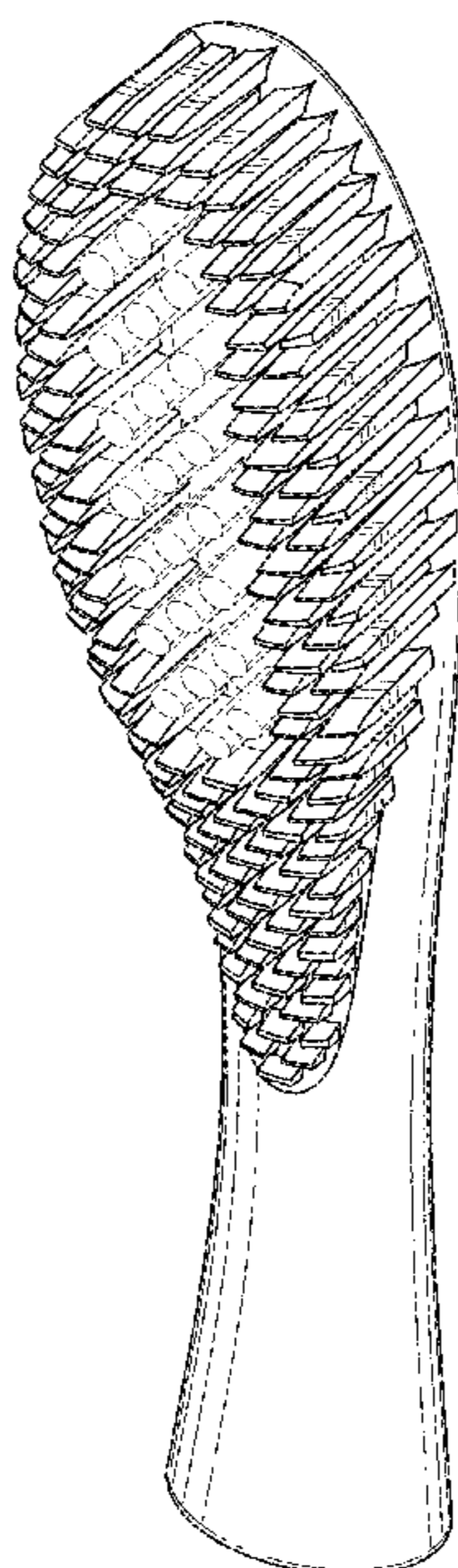
(57) **CLAIM**

I claim the ornamental design for a toothbrush head, as shown and described.

DESCRIPTION

FIG. 1 is a perspective view of the toothbrush head.
FIG. 2 is a front view of the third embodiment of the toothbrush head.
FIG. 3 is a back view of the third embodiment of the toothbrush head.
FIG. 4 is a right side view of the third embodiment of the toothbrush head.
FIG. 5 is a left side view of the third embodiment of the toothbrush head.
FIG. 6 is a top view of the third embodiment of the toothbrush head; and,
FIG. 7 is a bottom view of the third embodiment of the toothbrush head.
The broken lines depict the portions of the toothbrush head that form no part of the claimed design and are for illustrative purposes only.

1 Claim, 7 Drawing Sheets



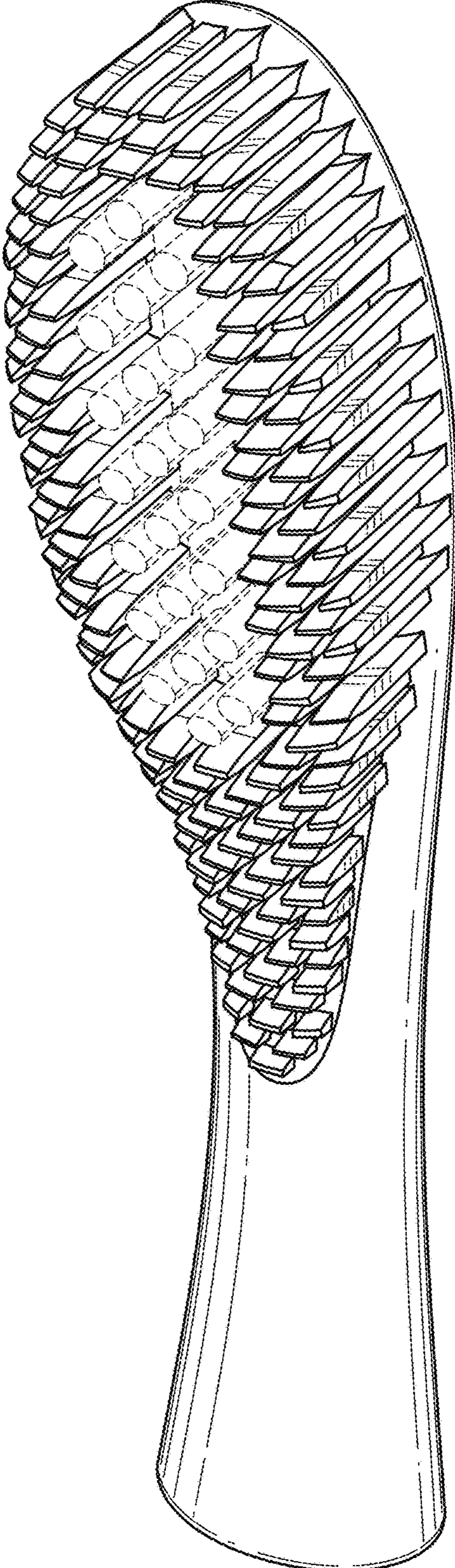


FIG. 1

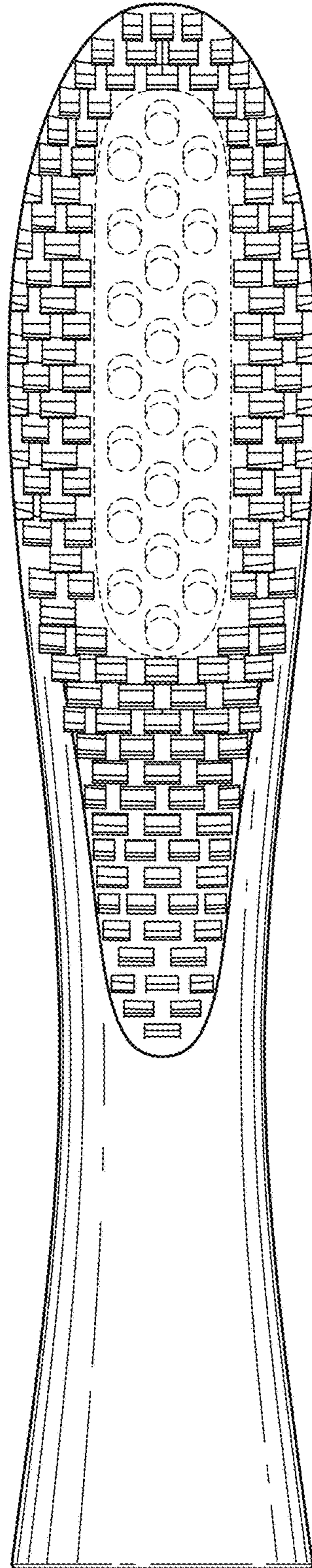


FIG. 2

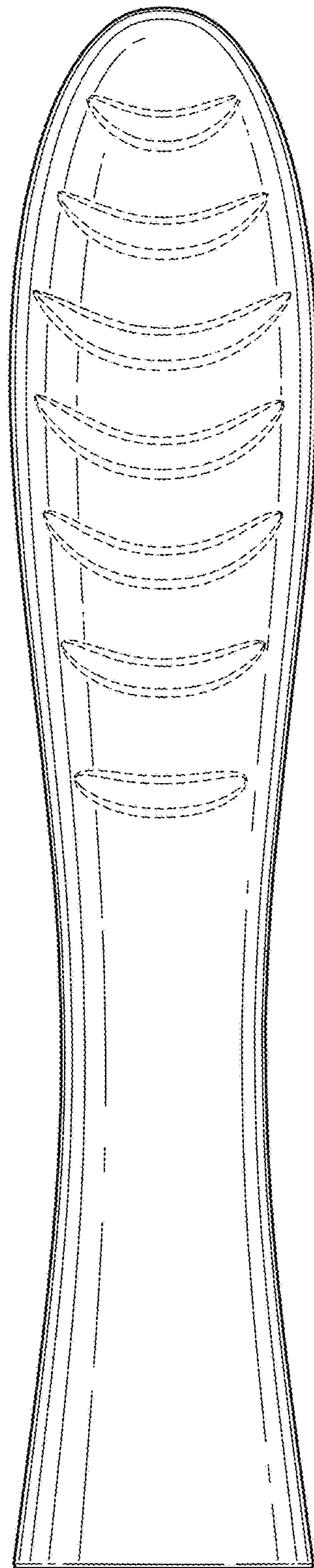


FIG. 3

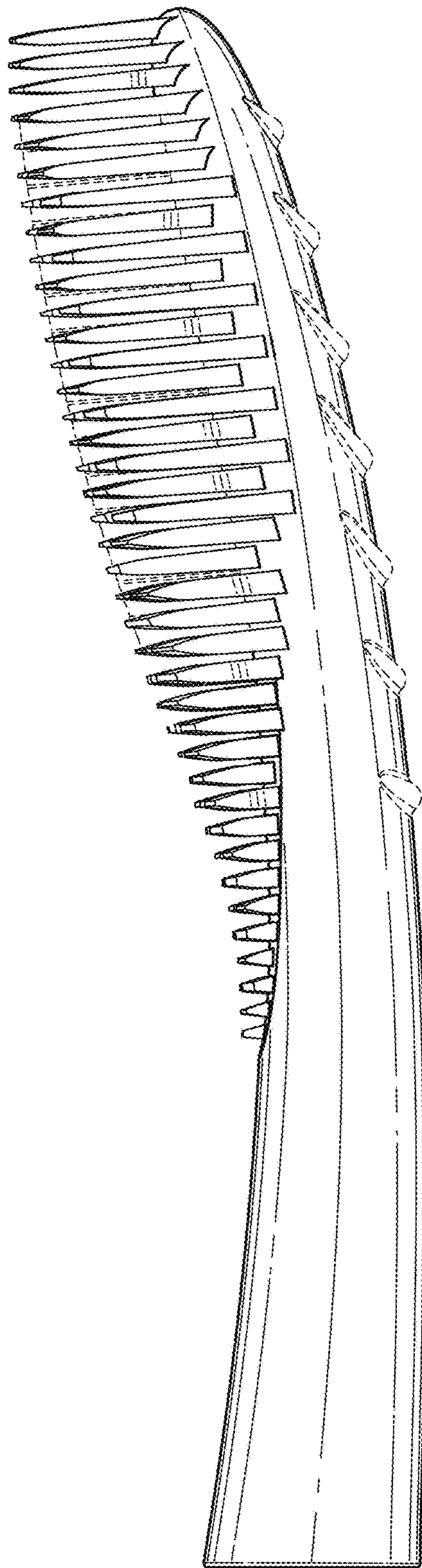


FIG. 4

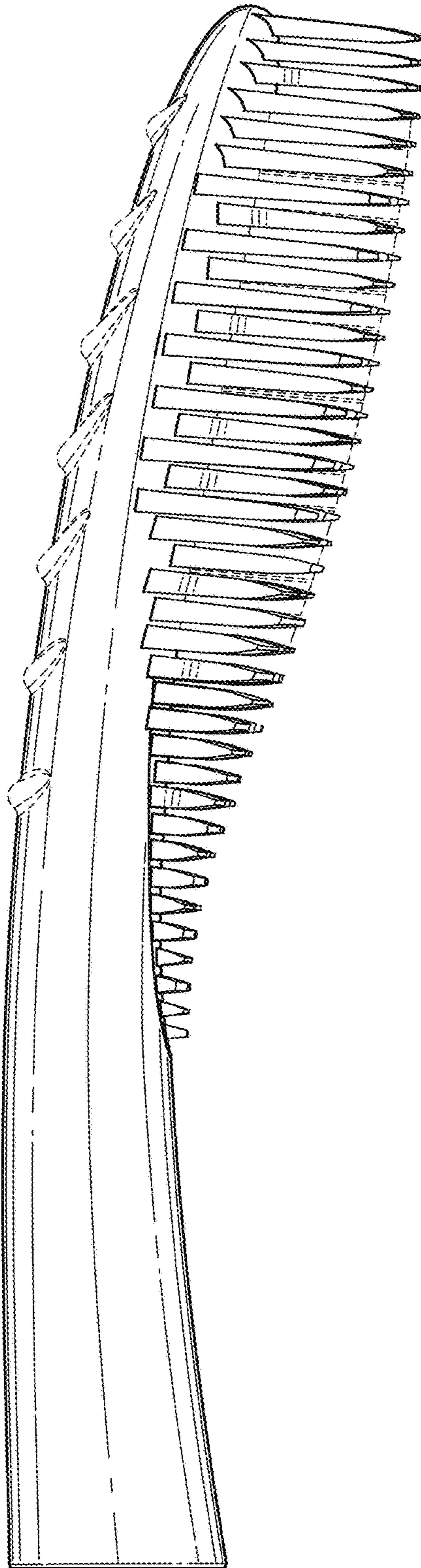


FIG. 5

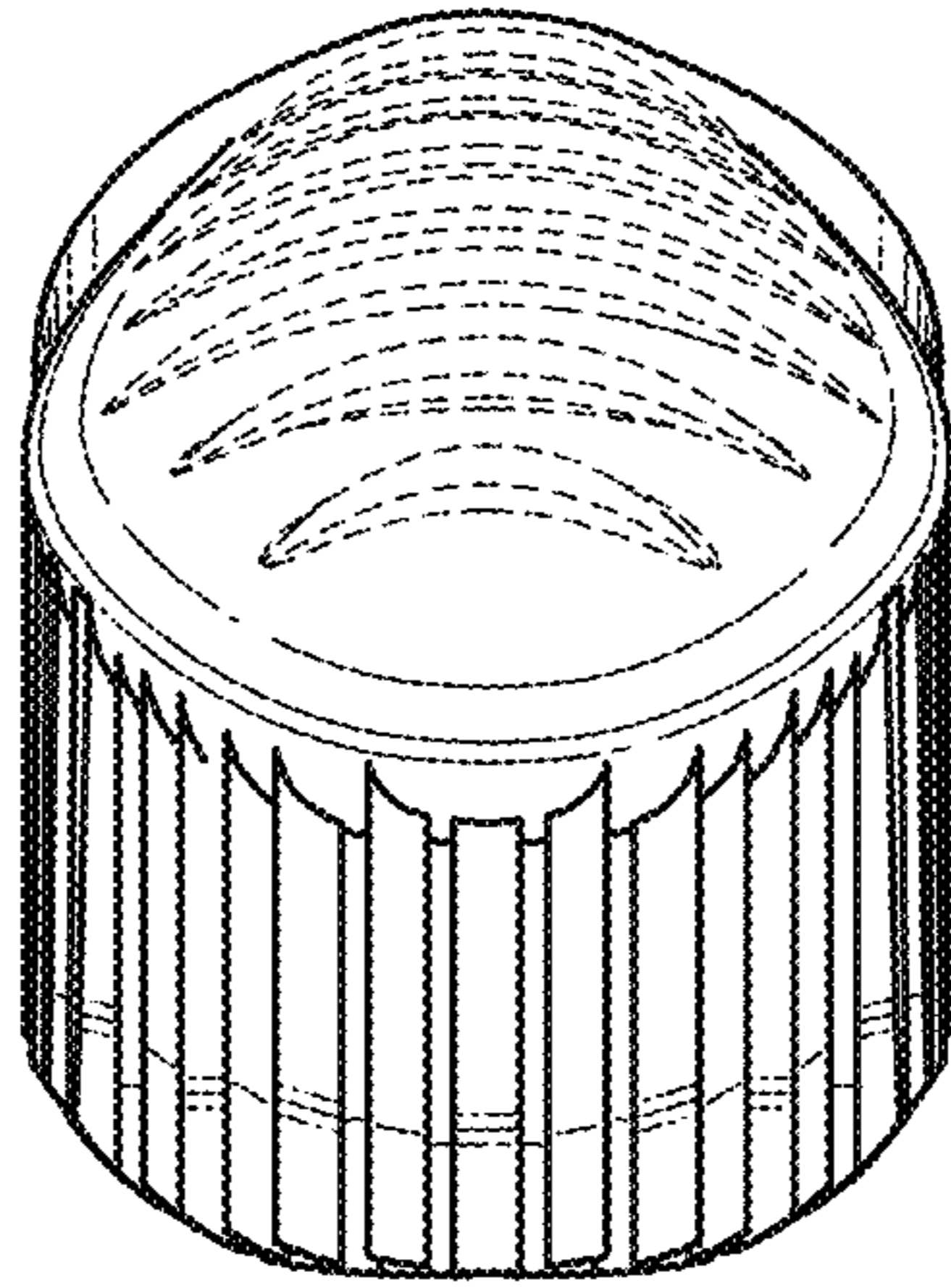


FIG. 6

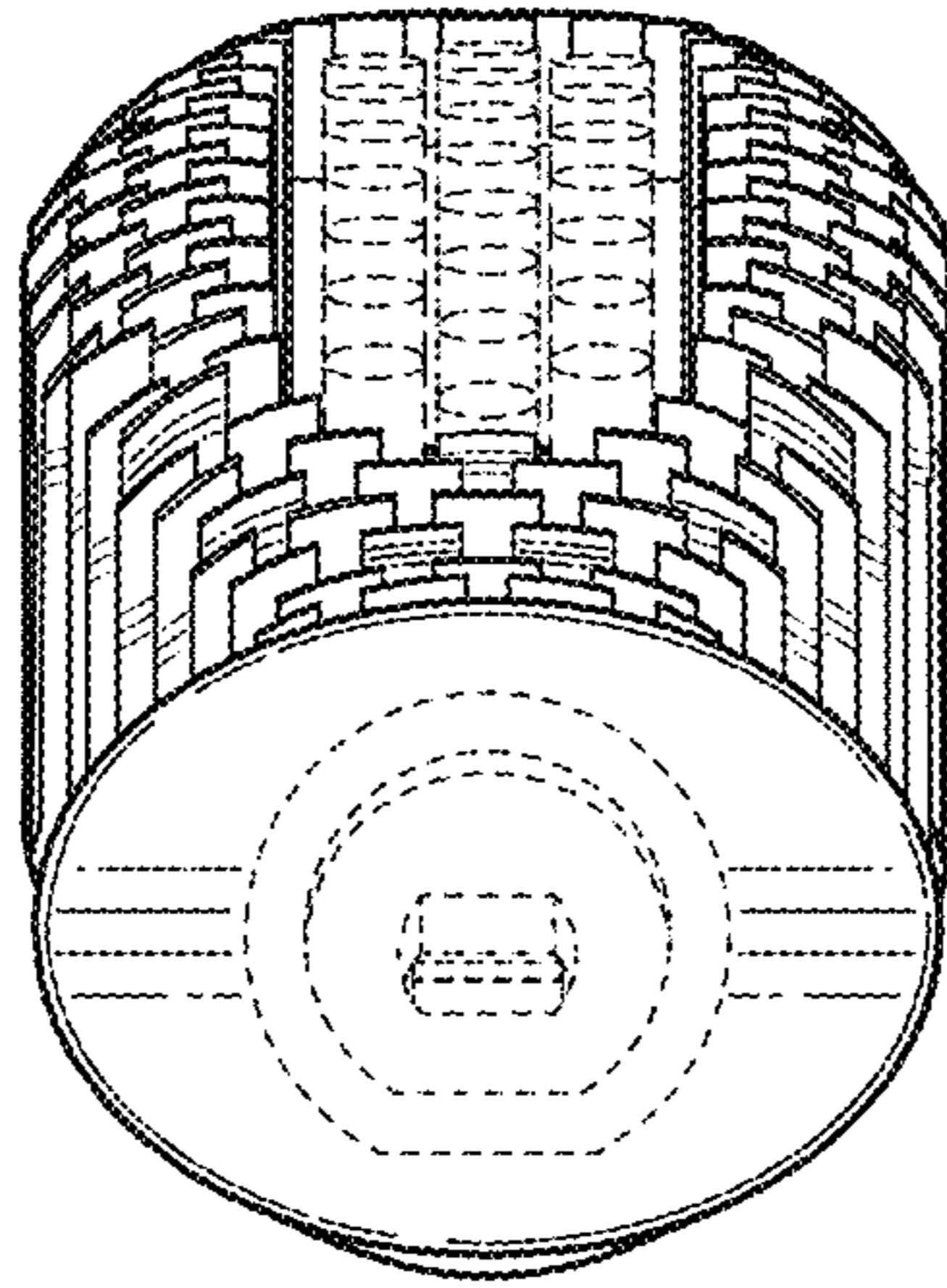


FIG. 7