



US00D775835S

(12) **United States Design Patent**
Yoshida et al.

(10) **Patent No.: US D775,835 S**
(45) **Date of Patent: ** Jan. 10, 2017**

(54) **PORTION OF BRUSH HEAD FOR ELECTRIC TOOTHBRUSH**

FOREIGN PATENT DOCUMENTS

(71) Applicants: **COLGATE-PALMOLIVE COMPANY**, New York, NY (US);
OMRON HEALTHCARE CO., LTD., Kyoto (JP)

EM 000166285-0001 7/2004
EM 000366968-0001 8/2005

(Continued)

(72) Inventors: **Hideaki Yoshida**, Kyoto (JP); **Takashi Torihama**, Kyoto (JP)

OTHER PUBLICATIONS

(73) Assignees: **COLGATE-PALMOLIVE COMPANY**, New York, NY (US);
OMRON HEALTHCARE CO., LTD (JP)

CN 300711041 Registered Design, (Huang, Bazi) Nov. 28, 2007, [online], [retrieved on Jun. 15, 2014] Retrieved from the Questel Intellectual Property Portal Design Database using the Internet: <URL: <http://www.orbit.com>>.

(Continued)

(**) Term: **14 Years**

Primary Examiner — Susan Moon Lee

(21) Appl. No.: **29/517,527**

(57) **CLAIM**

(22) Filed: **Feb. 13, 2015**

The ornamental design for a portion of a brush head for electric toothbrush, as shown and described.

Related U.S. Application Data

DESCRIPTION

(63) Continuation of application No. 29/425,944, filed on Jun. 28, 2012, now Pat. No. Des. 724,845.

(30) **Foreign Application Priority Data**

Dec. 28, 2011 (CN) 2011 3 0510928

(51) **LOC (10) Cl.** **04-02**

(52) **U.S. Cl.**
USPC **D4/101**

(58) **Field of Classification Search**
USPC D4/101, 104-112, 114; 15/110, 167.1, 15/167.2, 176.1, 176.6, 188, 22.1, 145; 132/308-311; 601/139, 141, 142

(Continued)

(56) **References Cited**

U.S. PATENT DOCUMENTS

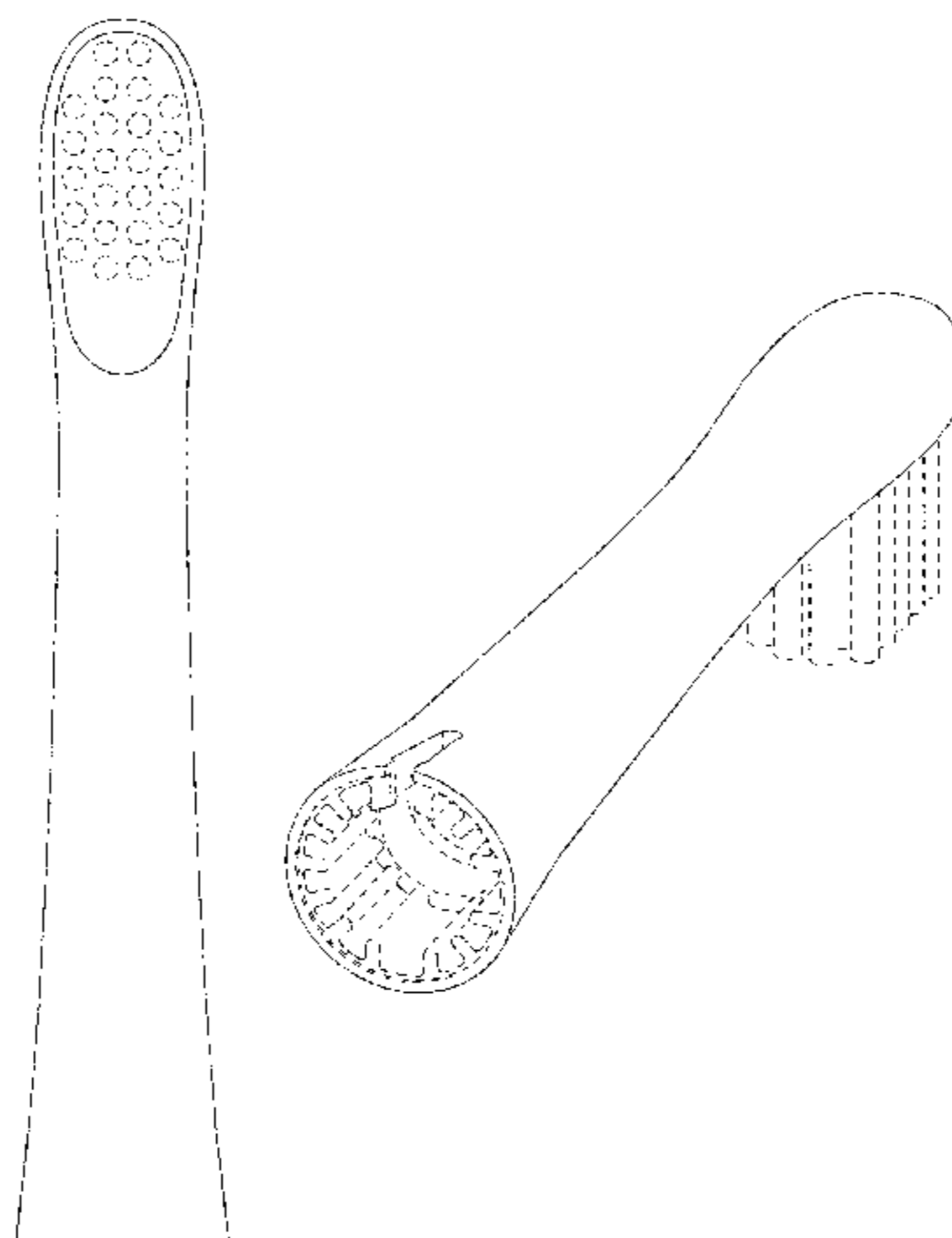
3,088,148 A * 5/1963 Moret A61C 17/32
15/145

3,156,936 A 11/1964 Hartman
(Continued)

FIG. 1 is a front elevation view of a portion of a brush head for electric toothbrush according to the new design; FIG. 2 is a rear elevation view thereof; FIG. 3 is a left side elevation view thereof; FIG. 4 is a right side elevation view thereof; FIG. 5 is an enlarged top view thereof; FIG. 6 is an enlarged bottom view thereof; FIG. 7 is a front perspective view thereof; FIG. 8 is a rear perspective view thereof; FIG. 9 is an enlarged partial rear view of a portion of the brush head for electric toothbrush designated by Area B in FIG. 2; FIG. 10 is an enlarged bottom view of the design as shown in FIG. 9; FIG. 11 is a front perspective view of the design as shown in FIG. 10; and, FIG. 12 is a rear perspective view of the design as shown in FIG. 10.

The dot-dash lines outlining an area of the brush head in FIG. 2 and the break line shown in FIGS. 9, 11, and 12 form no part of the claimed design. The broken lines shown in

(Continued)



FIGS. 1, 3-8 and 10-12 illustrate portions of the brush head that form no part of the claimed design.

1 Claim, 7 Drawing Sheets

(58) Field of Classification Search

CPC A46B 5/0095; A46B 7/04; A46B 7/042; A46B 7/044; A46B 9/04; A46B 2200/1066; A61C 17/16; A61C 17/22; A61C 17/222; A61C 17/32; A61C 17/34; A61C 17/3409; A61C 17/3445; A61C 17/3454; A61C 17/3463; A61C 17/3481

See application file for complete search history.

(56) References Cited

U.S. PATENT DOCUMENTS

3,278,963 A * 10/1966 Bond A61C 17/3418
132/119.1
3,369,265 A * 2/1968 Halberstadt A61C 17/32
15/145
5,697,117 A * 12/1997 Craft A61C 17/3481
15/21.1
6,381,795 B1 * 5/2002 Hofmann A61C 17/22
15/28
6,574,820 B1 * 6/2003 DePuydt A61C 15/047
15/22.1
6,651,346 B1 * 11/2003 Sturgis B26B 5/00
30/337
D502,320 S 3/2005 Fattori et al.
D577,199 S 9/2008 Zhuan
7,574,765 B2 * 8/2009 Huber A46B 9/04
15/22.1
D632,894 S 2/2011 Shigeno et al.
D715,057 S * 10/2014 Adriaenssen D4/101
D724,845 S * 3/2015 Yoshida D4/101

9,038,225 B2 * 5/2015 Haynes A61C 17/26
15/28
D734,613 S * 7/2015 Yoshida D4/101
9,168,117 B2 * 10/2015 Yoshida A61C 17/222
D747,609 S * 1/2016 Watkins D4/101
D759,380 S * 6/2016 Watkins D4/101
D759,383 S * 6/2016 Watkins D4/101
2002/0174498 A1 * 11/2002 Li A61C 17/3436
15/28
2011/0289699 A1 * 12/2011 Schaefer A46B 15/0002
15/4
2013/0117950 A1 * 5/2013 Kim A61C 17/221
15/22.1
2015/0020325 A1 * 1/2015 Yoshida A61C 17/222
15/22.1
2016/0166366 A1 * 6/2016 Fritsch A61C 17/222
15/22.1

FOREIGN PATENT DOCUMENTS

EM	000149562-0008	12/2005
EM	001078414-0007	5/2009
EM	001148209-0005	9/2010
EM	001816745-0001	2/2011
JP	1223242	11/2004
KR	30-0439339	2/2007
RU	75347	7/2010
RU	76231	10/2010
RU	76847	12/2010
RU	79519	9/2011
WO	DM/065429	11/2004
WO	DM/072551	11/2010
WO	DM/076472	11/2011

OTHER PUBLICATIONS

CN 300776830 Registered Design, (OM RON Healthcare Co, L TO.) May 7, 2008, [online], [retrieved on Apr. 28, 2012] Retrieved from the Questel Intellectual Property Portal Design Database using the Internet: <URL: <http://www.orbit.com>>.

* cited by examiner

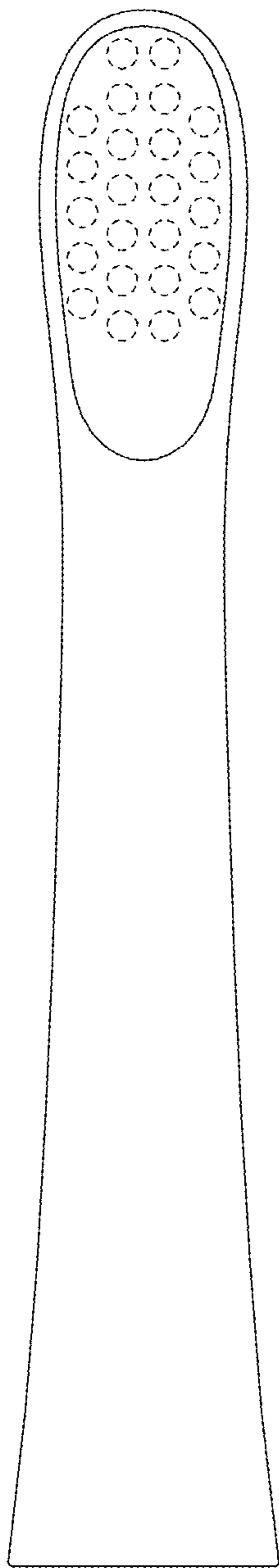


FIG. 1

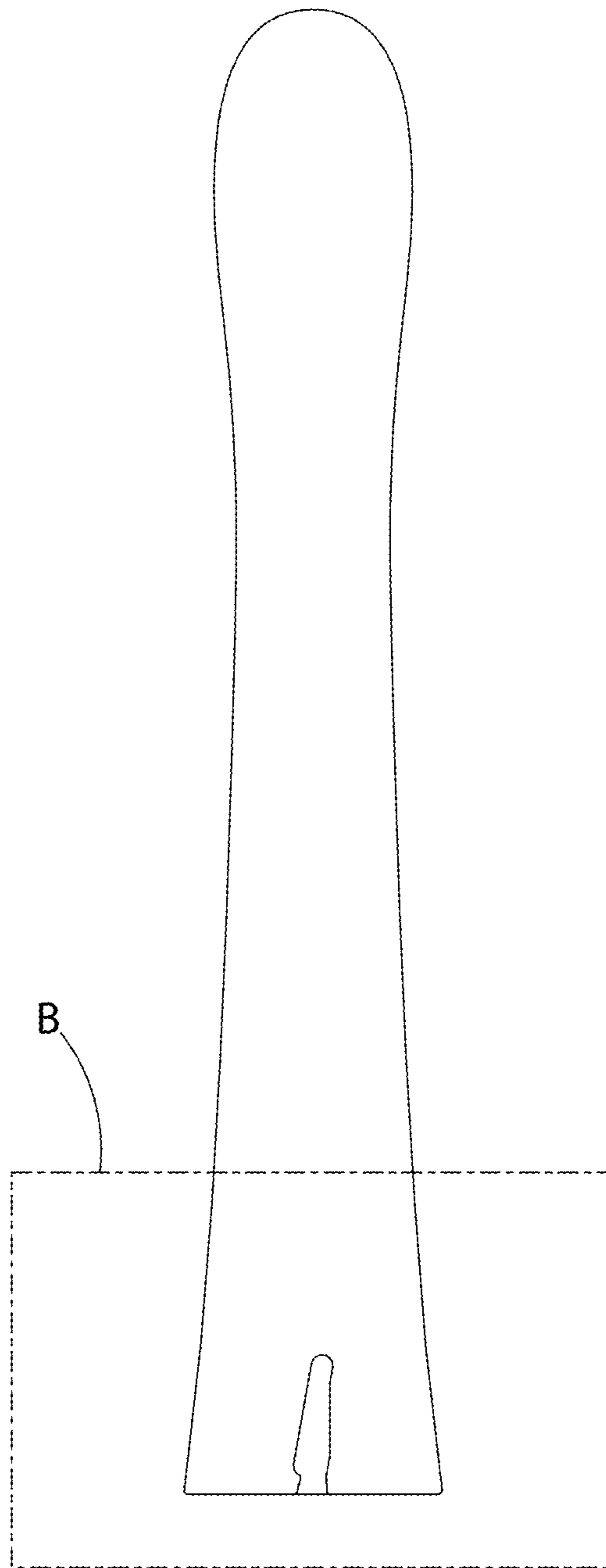


FIG. 2

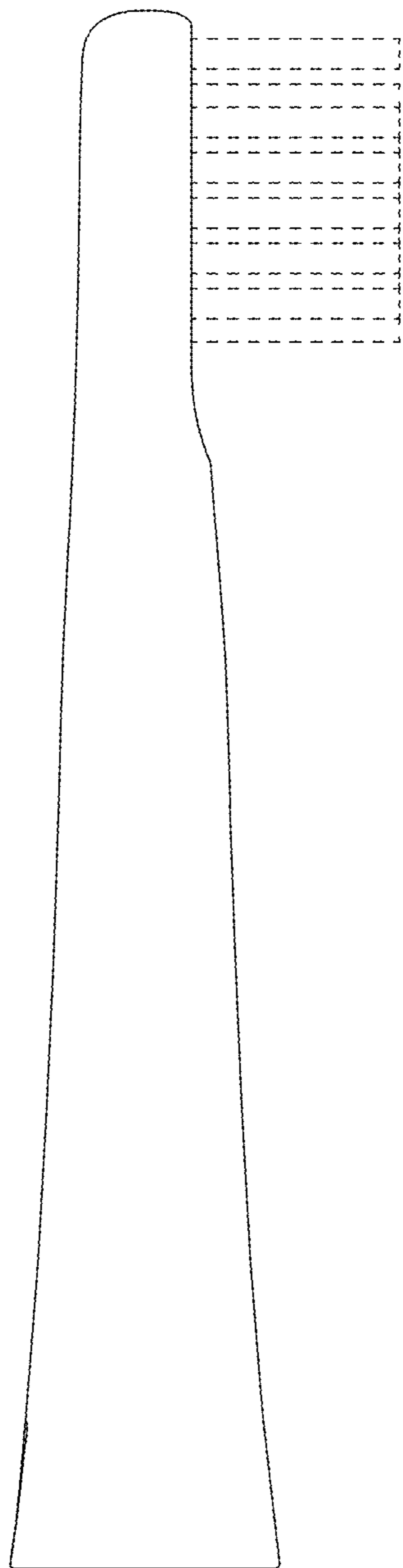


FIG. 3

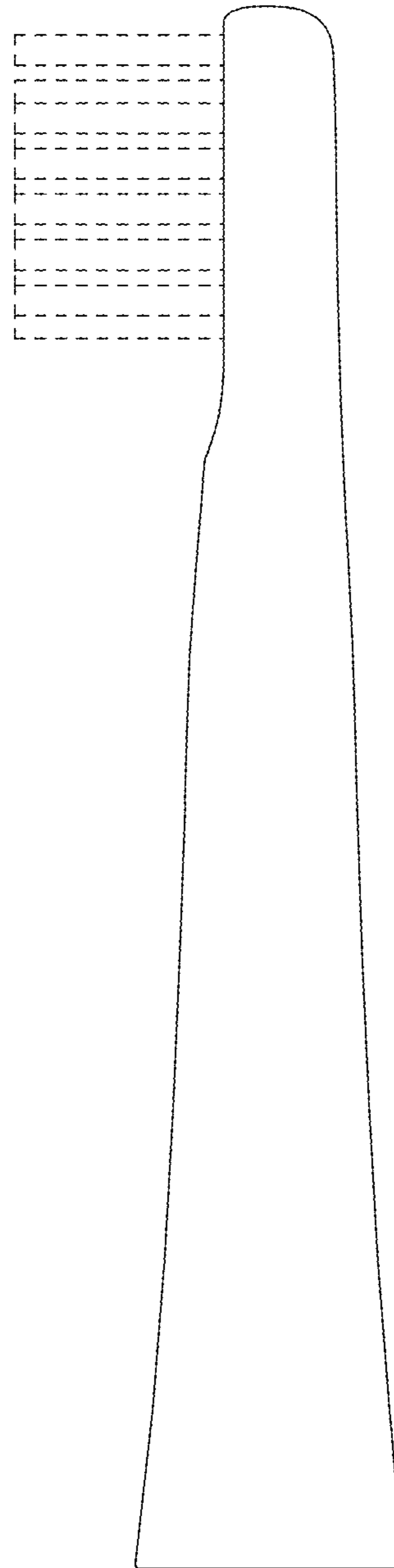


FIG. 4

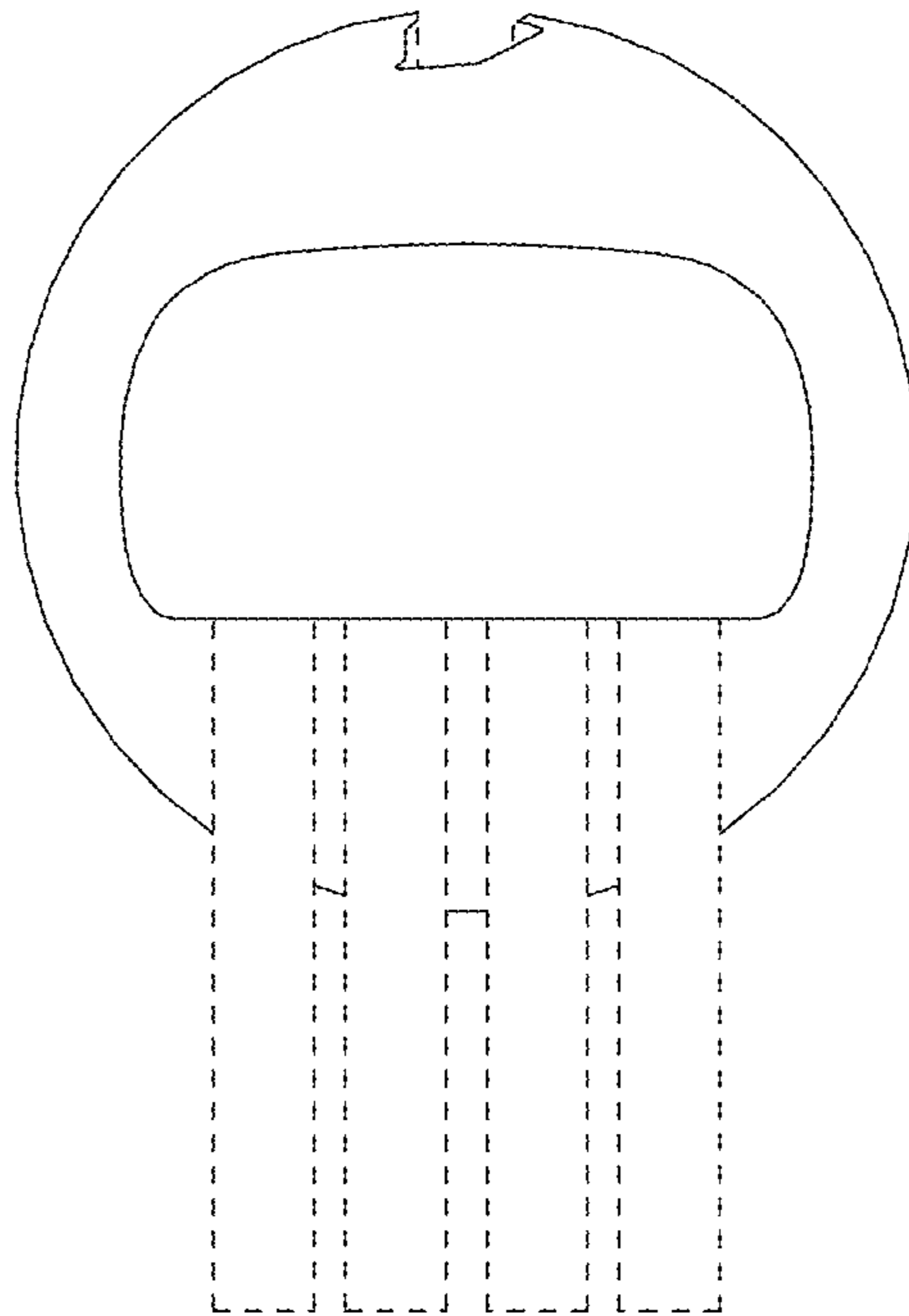


FIG. 5

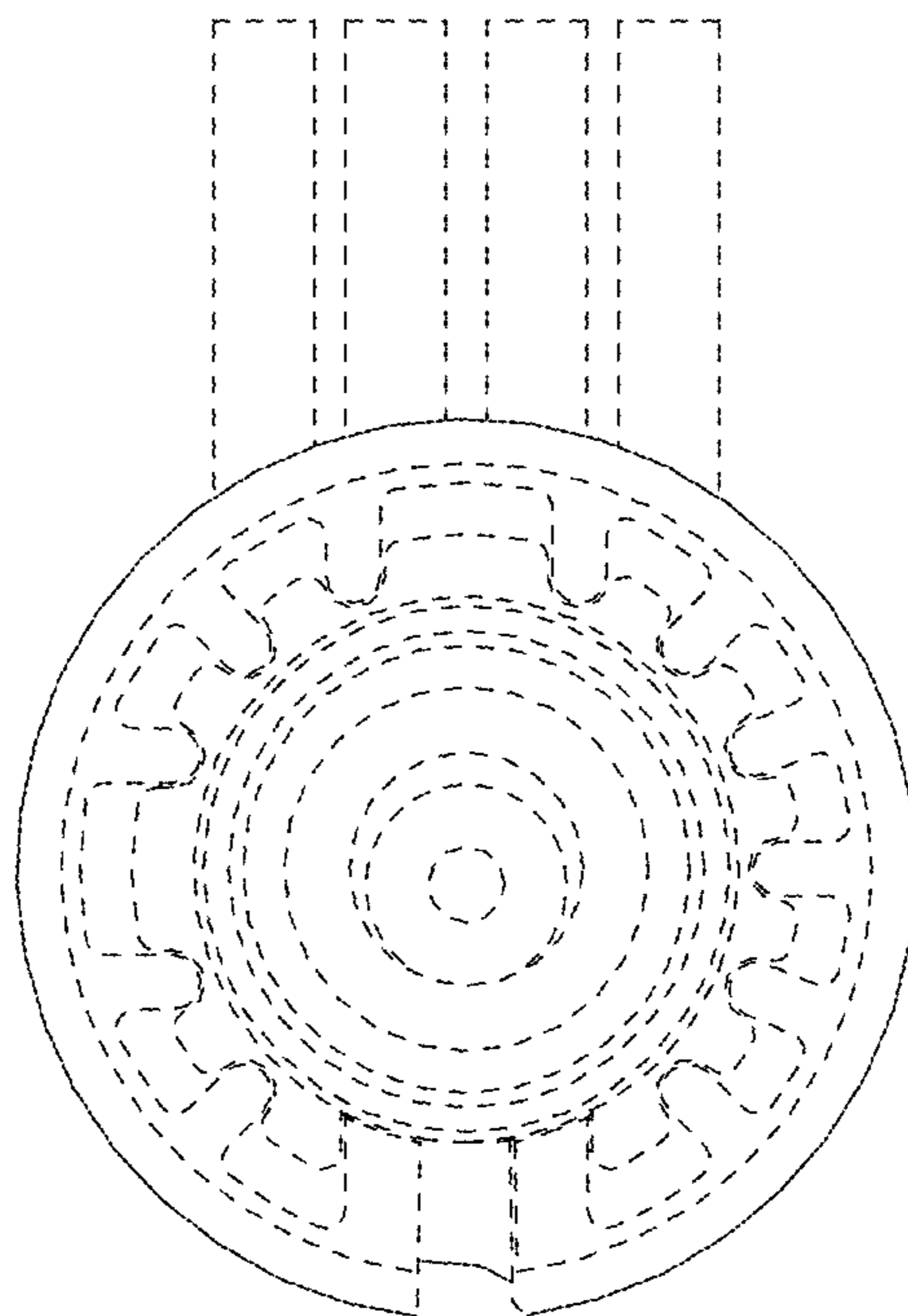


FIG. 6

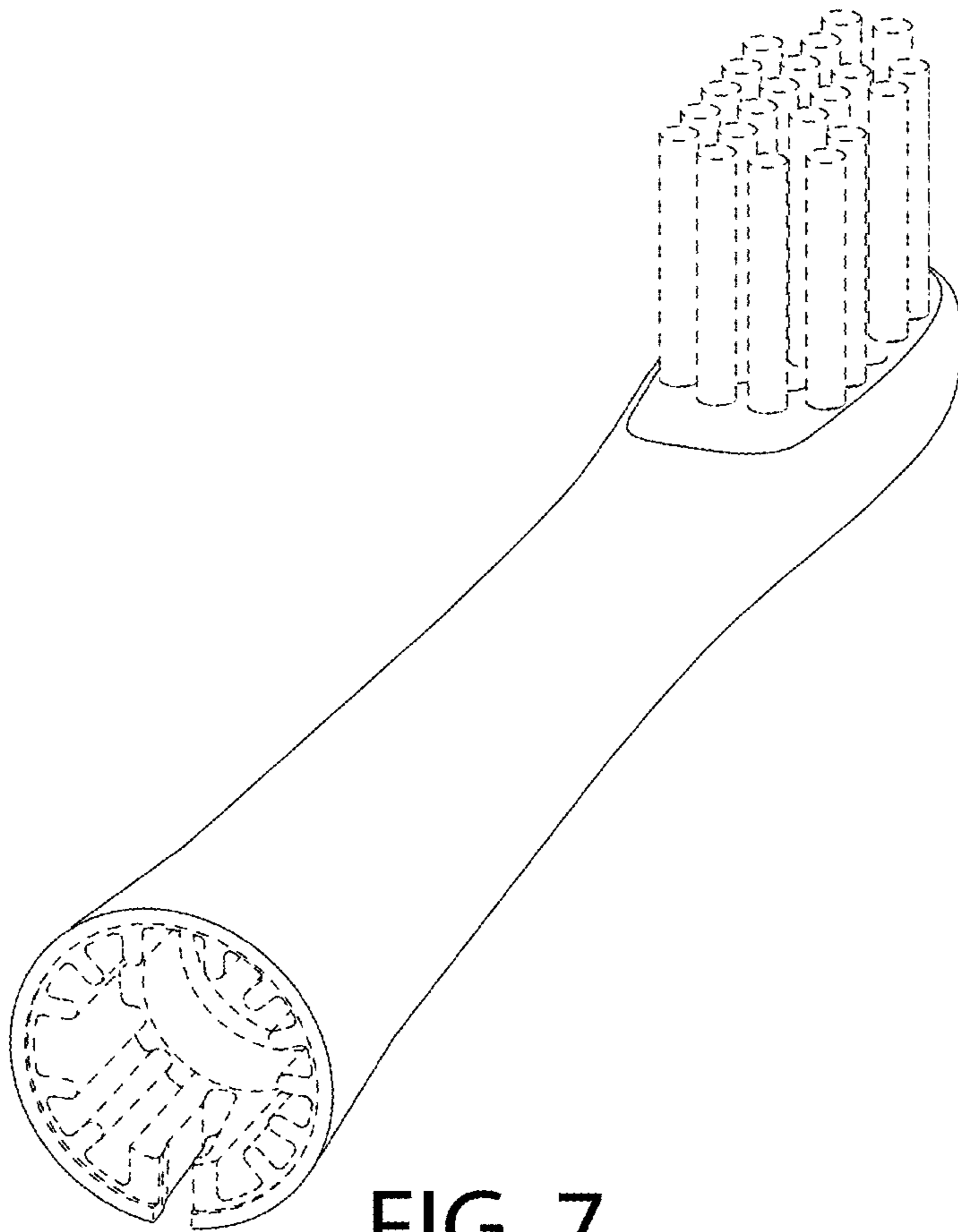


FIG. 7

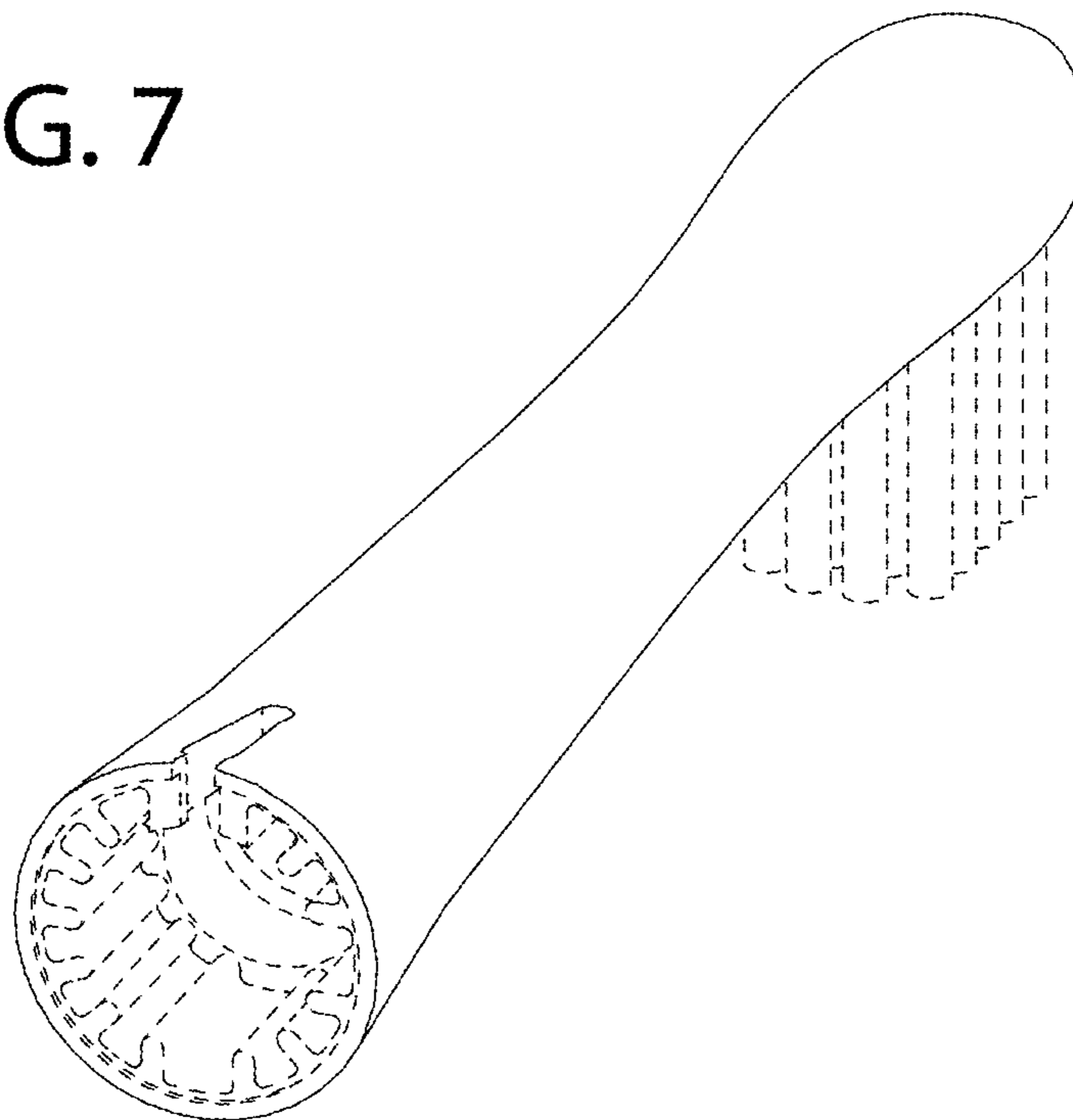


FIG. 8

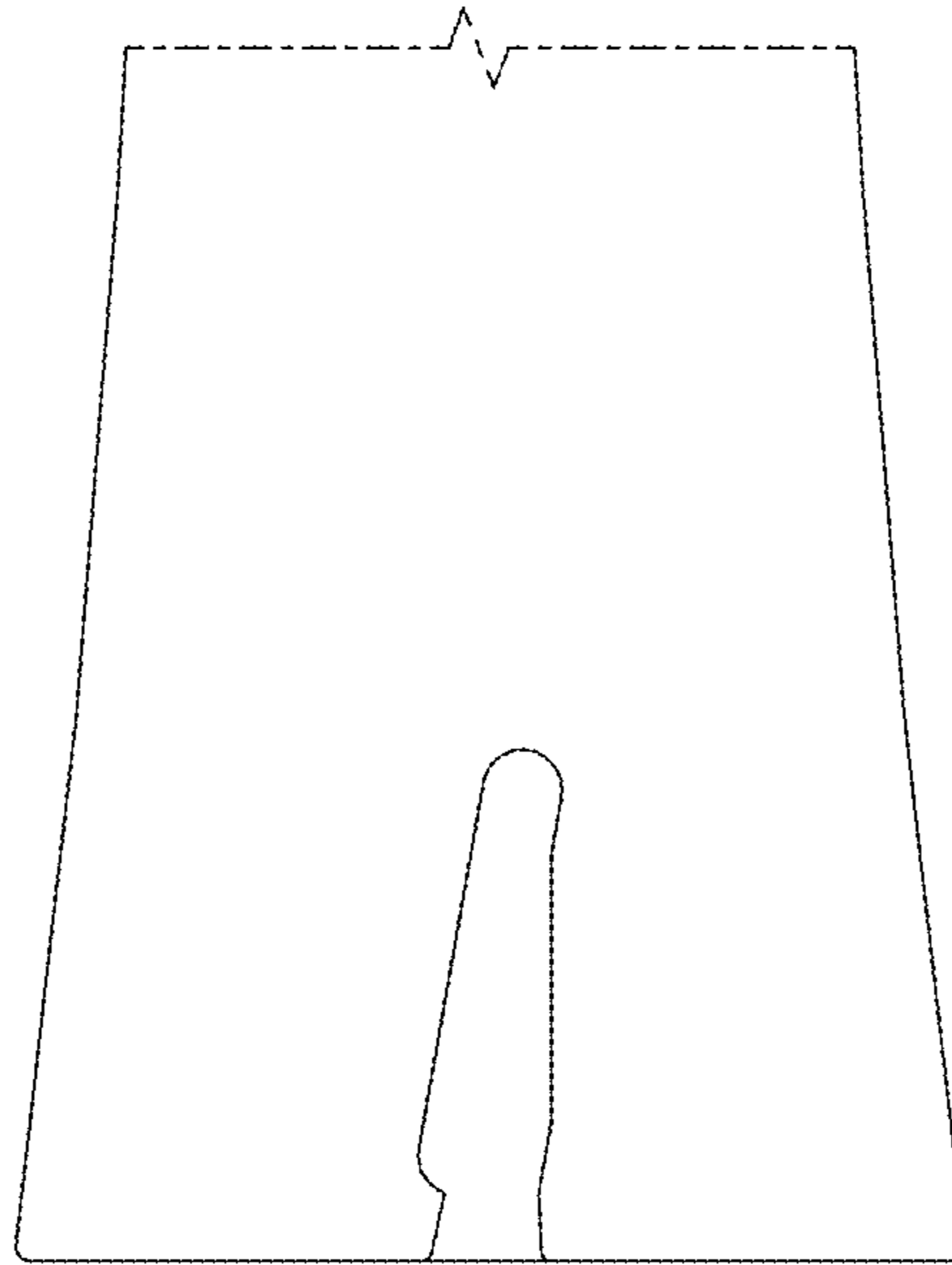


FIG. 9

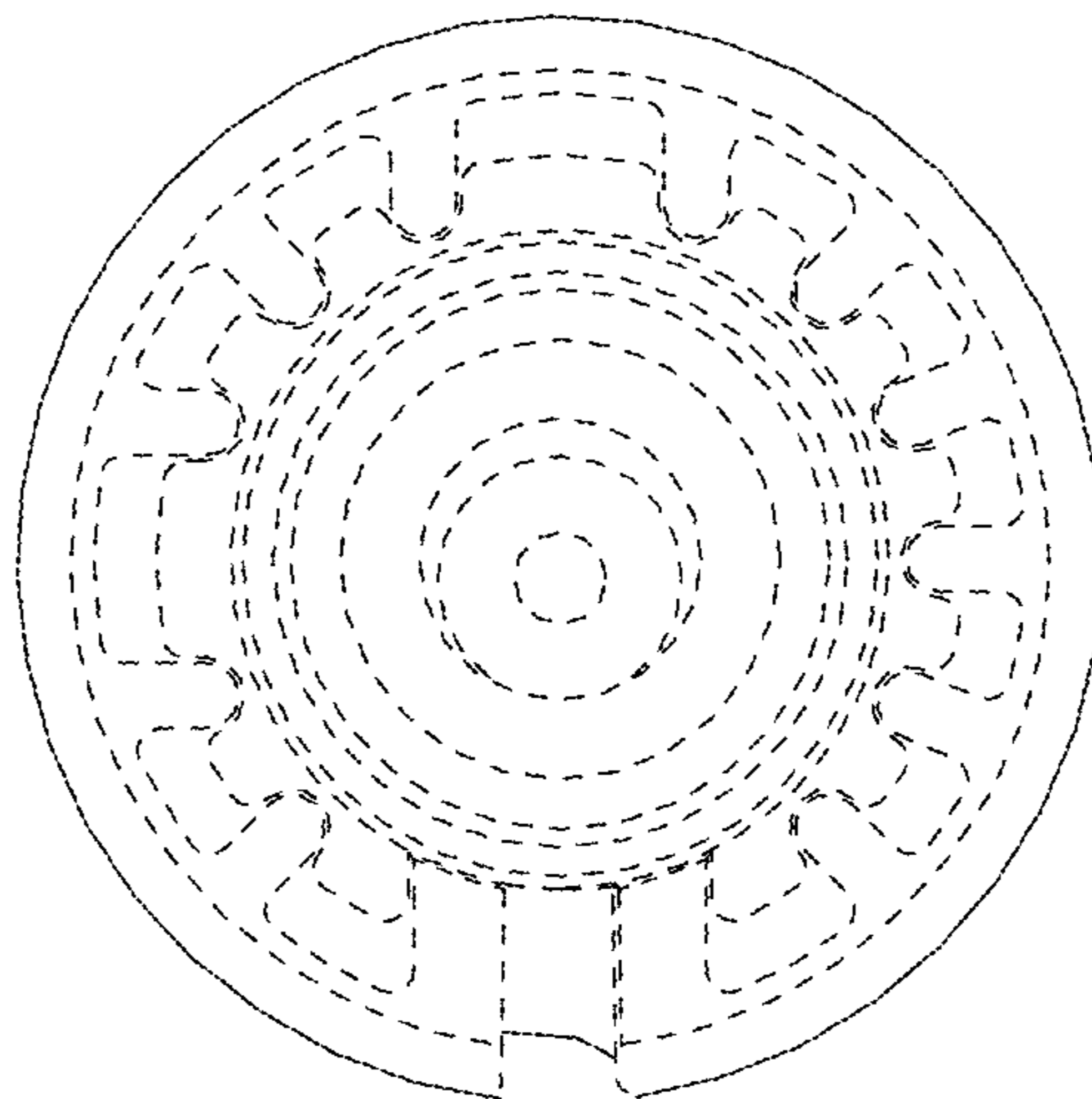


FIG. 10

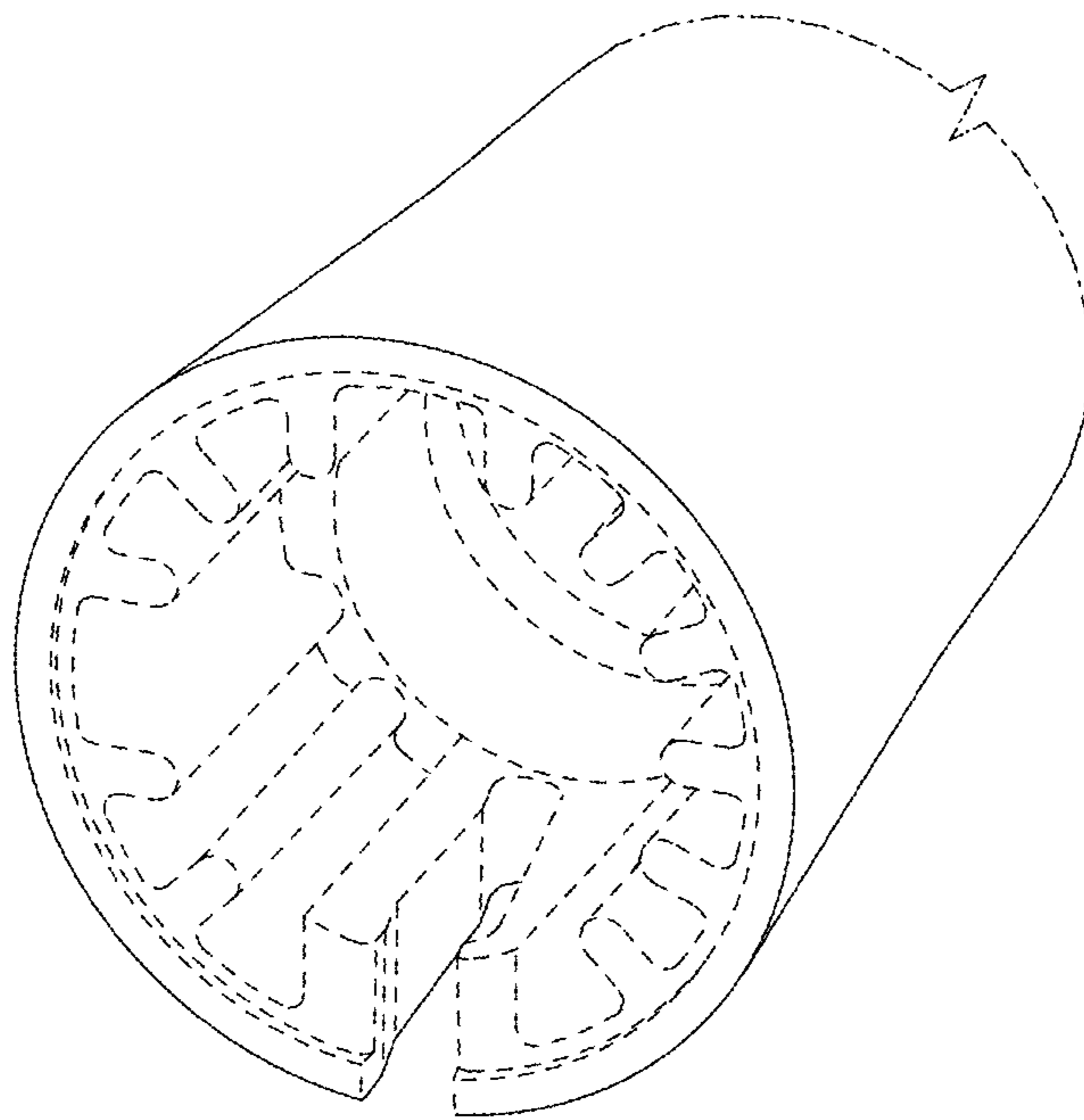


FIG. 11

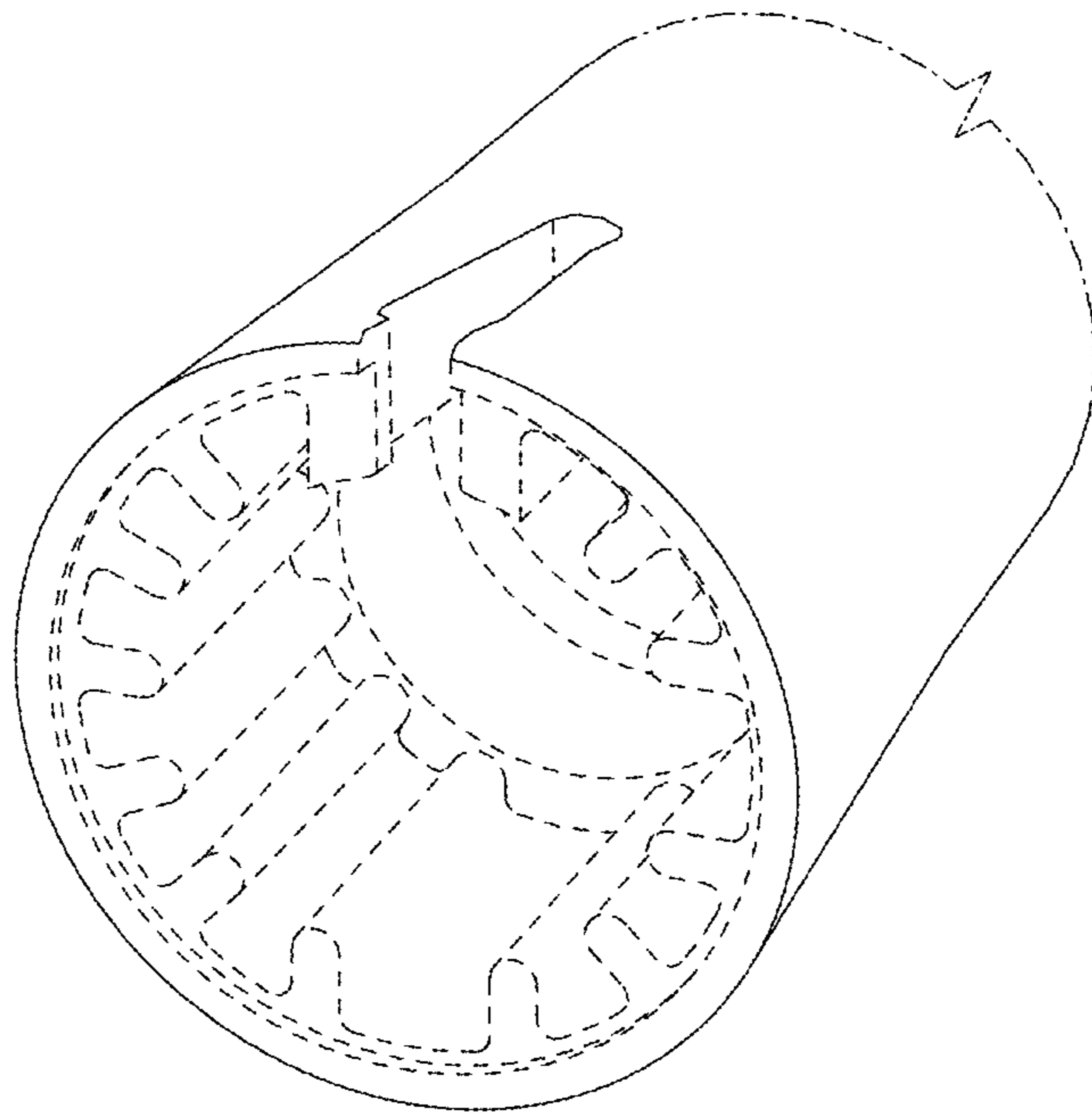


FIG. 12