



US00D775834S

(12) **United States Design Patent** (10) **Patent No.:** **US D775,834 S**
Sassi (45) **Date of Patent:** **** Jan. 10, 2017**

(54) **TAG FOR BAG** 2,811,797 A * 11/1957 Teetor A45C 13/42
40/653
(71) Applicant: **VALENTINO S.P.A.**, Milan (IT) D202,973 S * 11/1965 Field D20/27
D233,274 S * 10/1974 Klitzner D20/27
(72) Inventor: **Stefano Sassi**, Milan (IT) 4,616,435 A * 10/1986 Perfect G09F 3/18
40/6
(73) Assignee: **VALENTINO, S.p.A.**, Milan (IT) D432,175 S * 10/2000 Finkay D20/22
D467,281 S * 12/2002 Chapelier D20/27
(**) Term: **15 Years** 6,671,987 B1 * 1/2004 Fenton G09F 3/14
40/6
(21) Appl. No.: **35/500,047** D623,233 S * 9/2010 Sanz D20/27
D666,833 S * 9/2012 Robinson D3/318

(22) Filed: **Jun. 26, 2015**

* cited by examiner

(80) **Hague Agreement Data**

Primary Examiner — Mary Ann Calabrese

Int. Filing Date: **Jun. 26, 2015**
Int. Reg. No.: **DM/086835**
Int. Reg. Date: **Jun. 26, 2015**
Int. Reg. Pub. Date: **Jul. 10, 2015**

(74) *Attorney, Agent, or Firm* — Thomas I Horstemeyer, LLP

(51) **LOC (10) Cl.** **03-01**

(57) **CLAIM**

(52) **U.S. Cl.**

USPC **D3/318**

The ornamental design for a tag for bag, as shown and described.

(58) **Field of Classification Search**

USPC D3/207, 232, 318, 322; D20/10, 19,
D20/22–28, 99; D10/106.9
CPC G09F 3/00; G09F 3/04; G09F 3/08;
G09F 3/14; G09F 3/16; G09F 3/18; G09F
2003/0254; G09F 2003/0264; G09F
2003/0266; G09F 2003/0267; A45C 3/00;
A45C 3/06; A45C 13/00; A45C
13/08; A45C 13/42; A45C 2200/00
See application file for complete search history.

DESCRIPTION

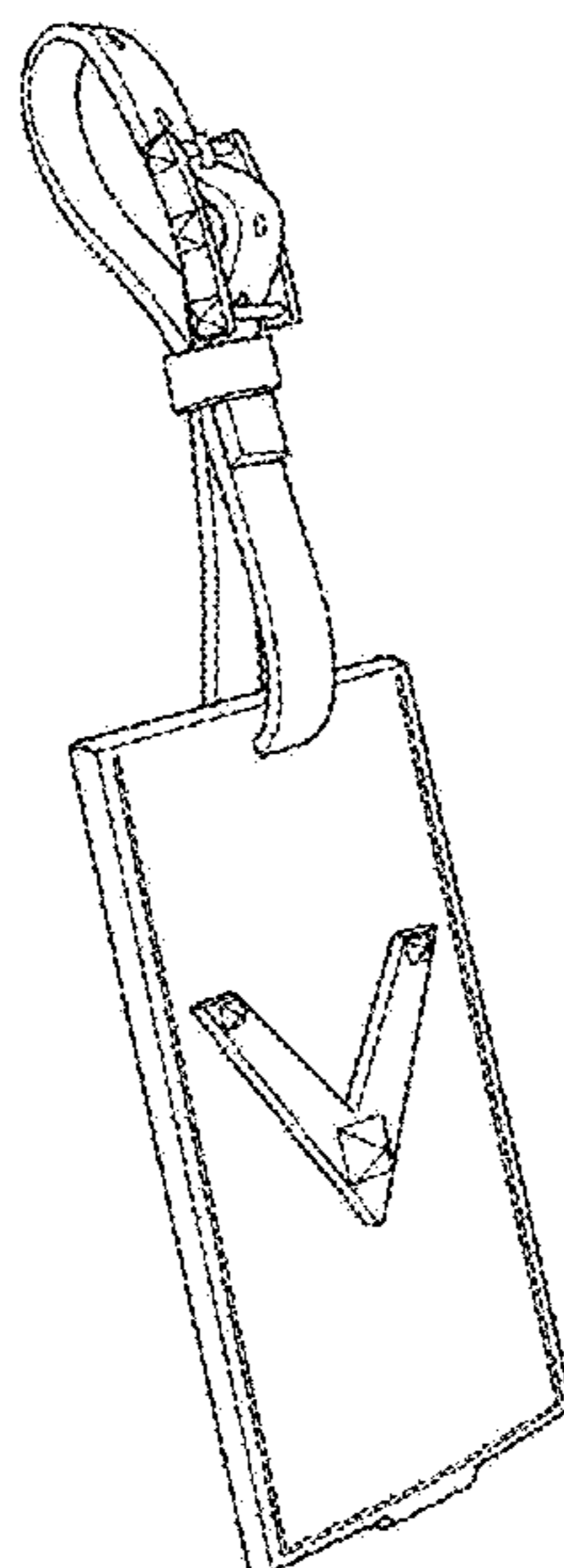
- 1. Part of bags
- 1.1 is a perspective view of my new tag for bag;
- 1.2 is a front view thereof;
- 1.3 is a rear view thereof;
- 1.4 is a side view thereof;
- 1.5 is a side view thereof, from a side opposite that of FIG. 4;
- 1.6 is a top view thereof; and
- 1.7 is a bottom view thereof.

(56) **References Cited**

U.S. PATENT DOCUMENTS

989,297 A * 4/1911 Schaefer G09F 3/18
40/653
2,793,451 A * 5/1957 Goldsholl C07D 213/78
40/653

1 Claim, 7 Drawing Sheets



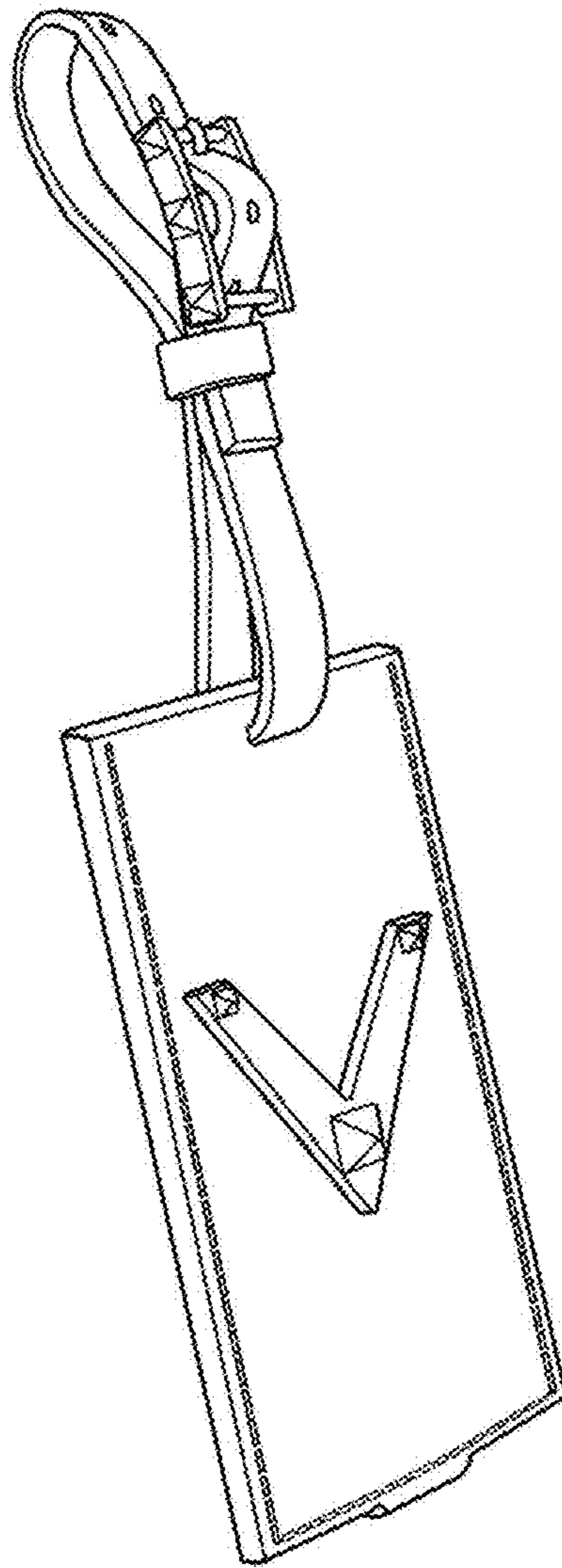


FIG. 1.1

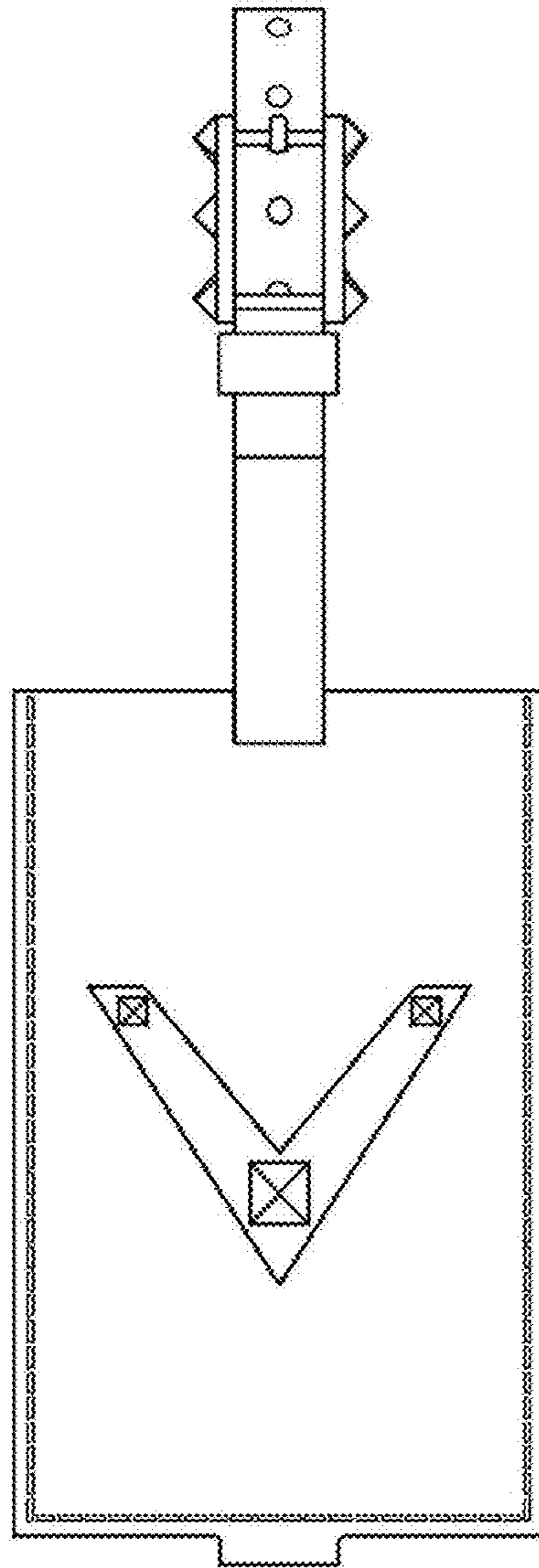


FIG. 1.2

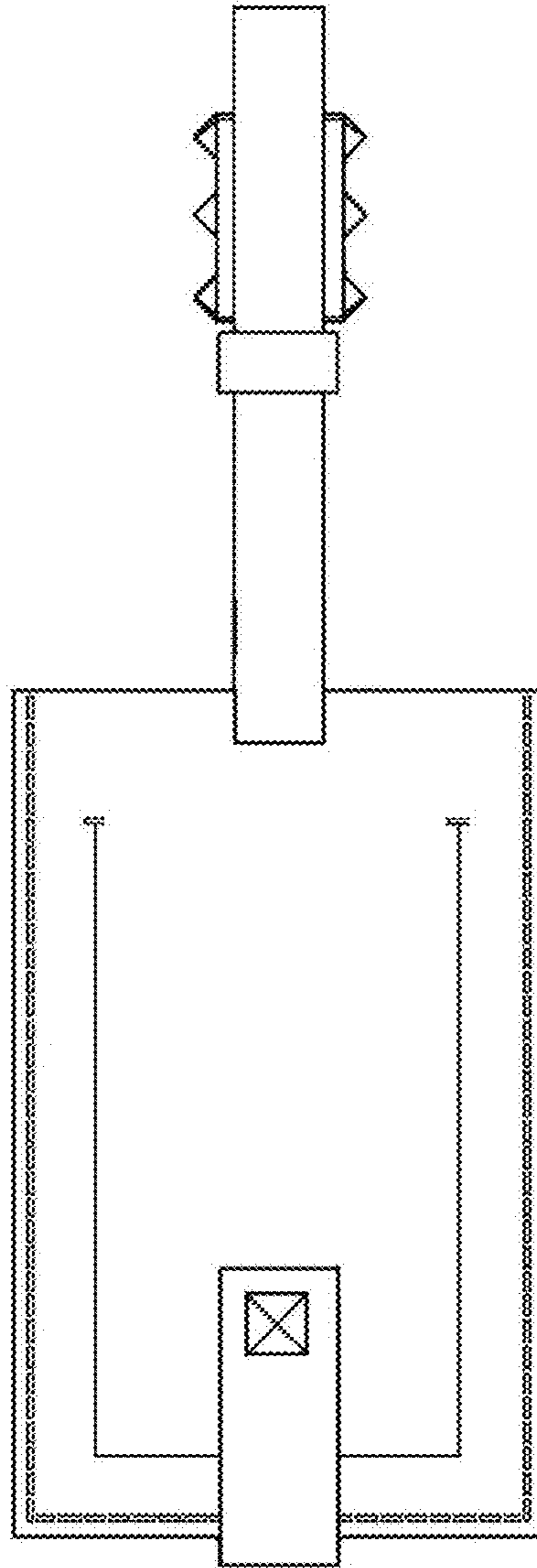


FIG. 1.3

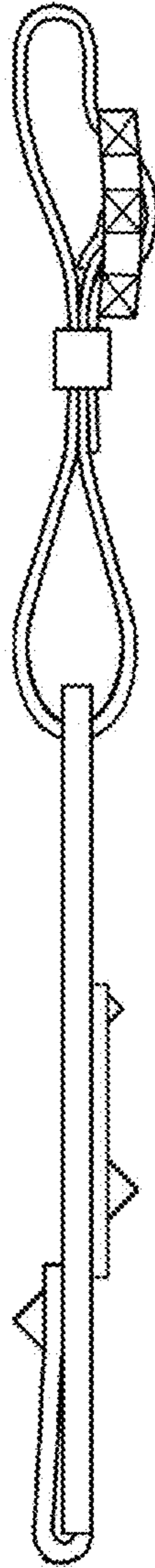


FIG. 1.4

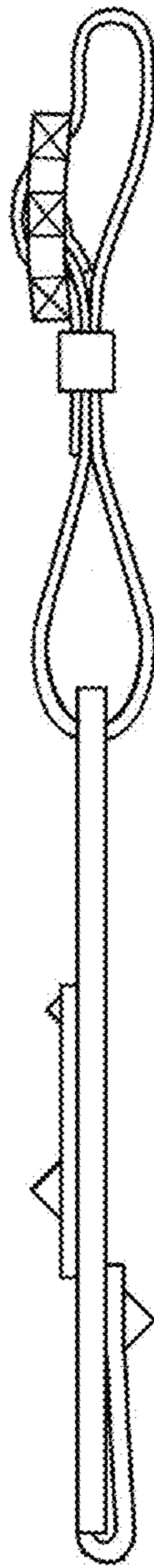


FIG. 1.5

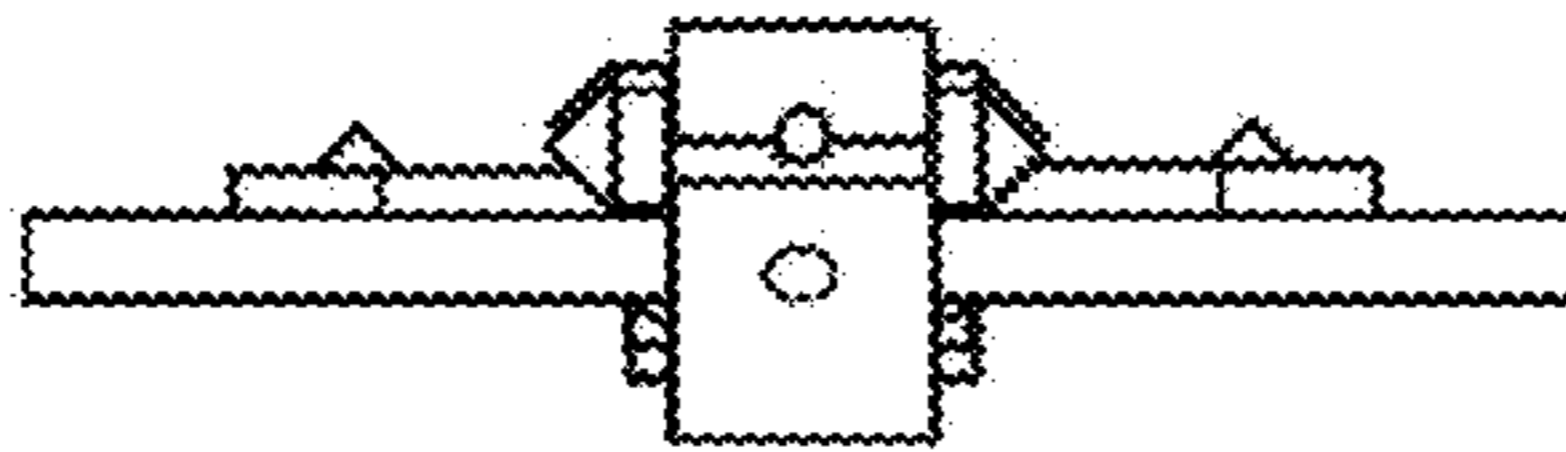


FIG. 1.6

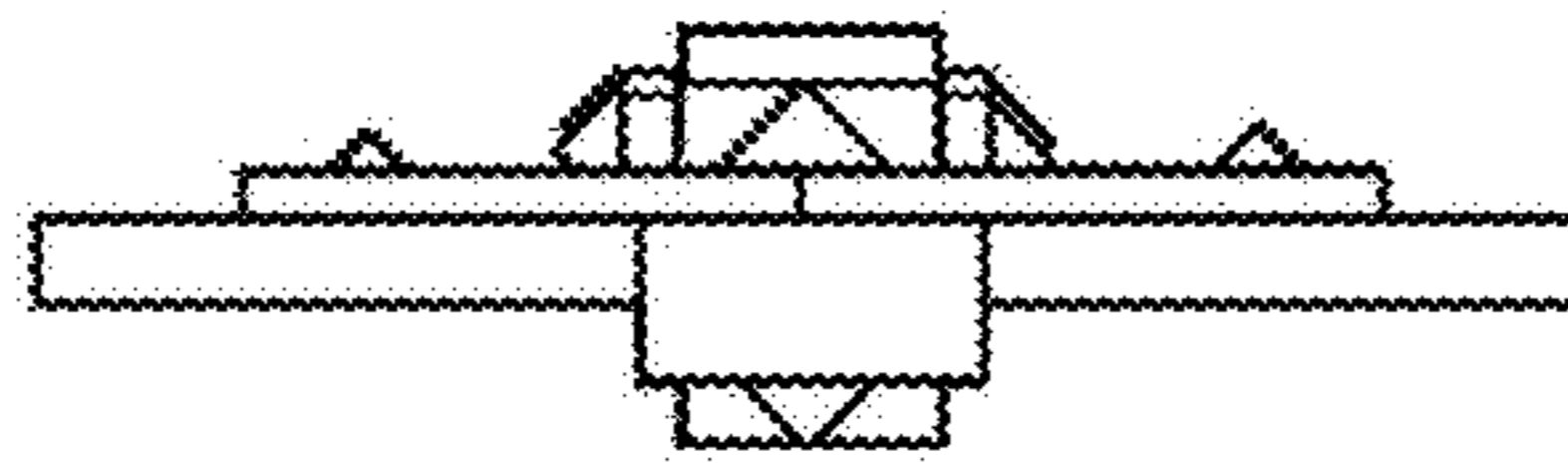


FIG. 1.7