



US00D775833S

(12) **United States Design Patent**  
**Wimberly**

(10) **Patent No.:** **US D775,833 S**

(45) **Date of Patent:** **\*\* Jan. 10, 2017**

- (54) **SECURITY BIN LINER**
- (71) Applicant: **Warens Wimberly**, Tamarac, FL (US)
- (72) Inventor: **Warens Wimberly**, Tamarac, FL (US)
- (\*\*) Term: **15 Years**
- (21) Appl. No.: **29/531,758**
- (22) Filed: **Jun. 29, 2015**
- (51) **LOC (10) Cl.** ..... **03-01**
- (52) **U.S. Cl.**  
USPC ..... **D3/318**
- (58) **Field of Classification Search**  
USPC ..... D3/318  
CPC ..... B65D 25/14; B65D 25/16; B65D 7/045;  
A45C 3/04  
See application file for complete search history.

- D445,254 S \* 7/2001 Jasper ..... D3/318
- D445,255 S \* 7/2001 Rine ..... D3/318
- D448,169 S \* 9/2001 Rine ..... D3/318
- D717,040 S \* 11/2014 Swartzel ..... D3/232

\* cited by examiner

*Primary Examiner* — Holly Baynham  
(74) *Attorney, Agent, or Firm* — Nancy J. Flint, Esq.;  
Nancy J. Flint, Attorney At Law, P.A.

(57) **CLAIM**

The ornamental design for a security bin liner, as shown and described.

**DESCRIPTION**

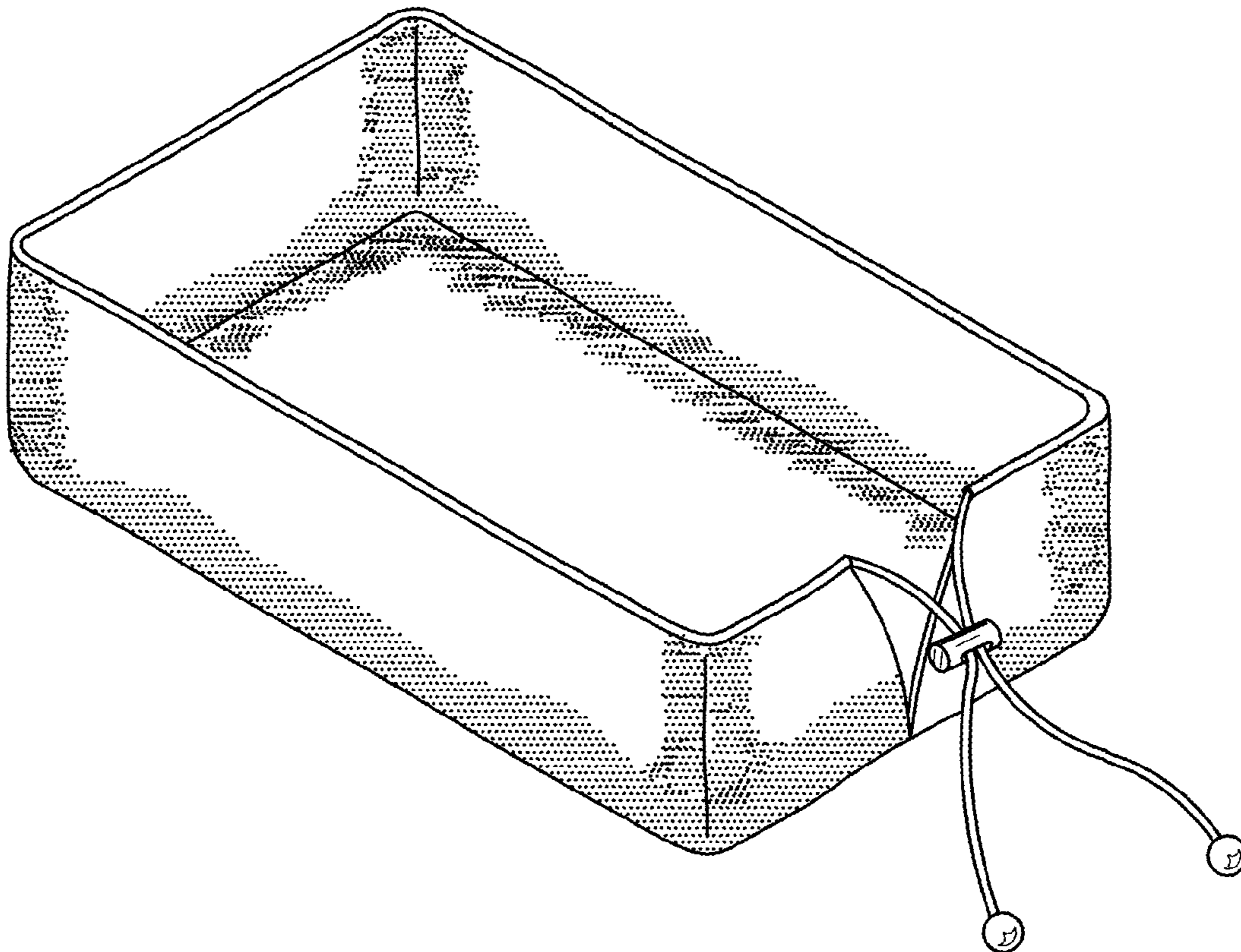
FIG. 1 is a perspective view of a security bin liner showing my new design;  
 FIG. 2 is a left side view of a pair of a security bin liner;  
 FIG. 3 is a top view of a pair of a security bin liner;  
 FIG. 4 is a bottom view of a pair of a security bin liner;  
 FIG. 5 is a rear view of a security bin liner;  
 FIG. 6 is a front view of a security bin liner;  
 FIG. 7 is a perspective view of a security bin liner in the process of being placed inside a security bin;  
 FIG. 8 is a perspective view of a security bin liner placed inside a security bin; and,  
 FIG. 9 is a perspective view of a security bin liner as placed and secured inside a security bin.  
 Any broken lines illustrative of environmental structure in the drawings are not part of the design sought to be patented.

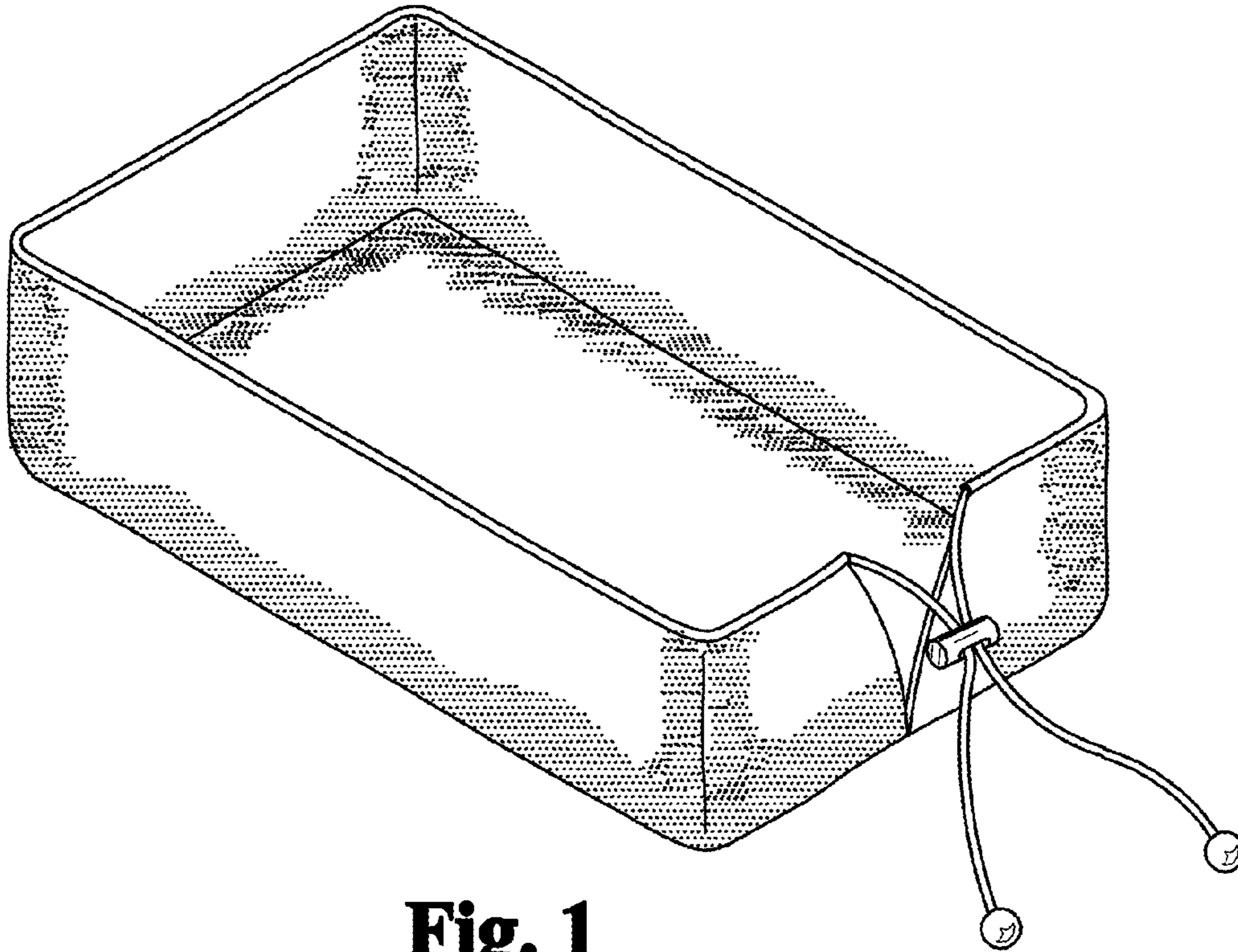
(56) **References Cited**

**U.S. PATENT DOCUMENTS**

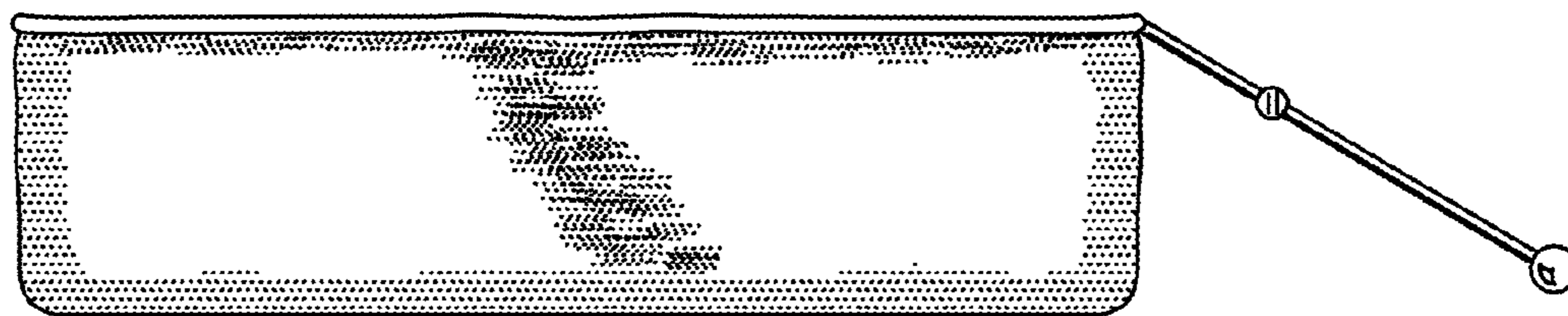
- 2,561,143 A \* 7/1951 Schmitz ..... B65D 21/062  
206/506
- D264,772 S \* 6/1982 Motsko ..... D3/244
- 5,310,077 A \* 5/1994 McDermott ..... B65D 25/16  
217/3 R
- 5,941,408 A \* 8/1999 Sherman ..... A45C 3/04  
220/495.01

**1 Claim, 4 Drawing Sheets**

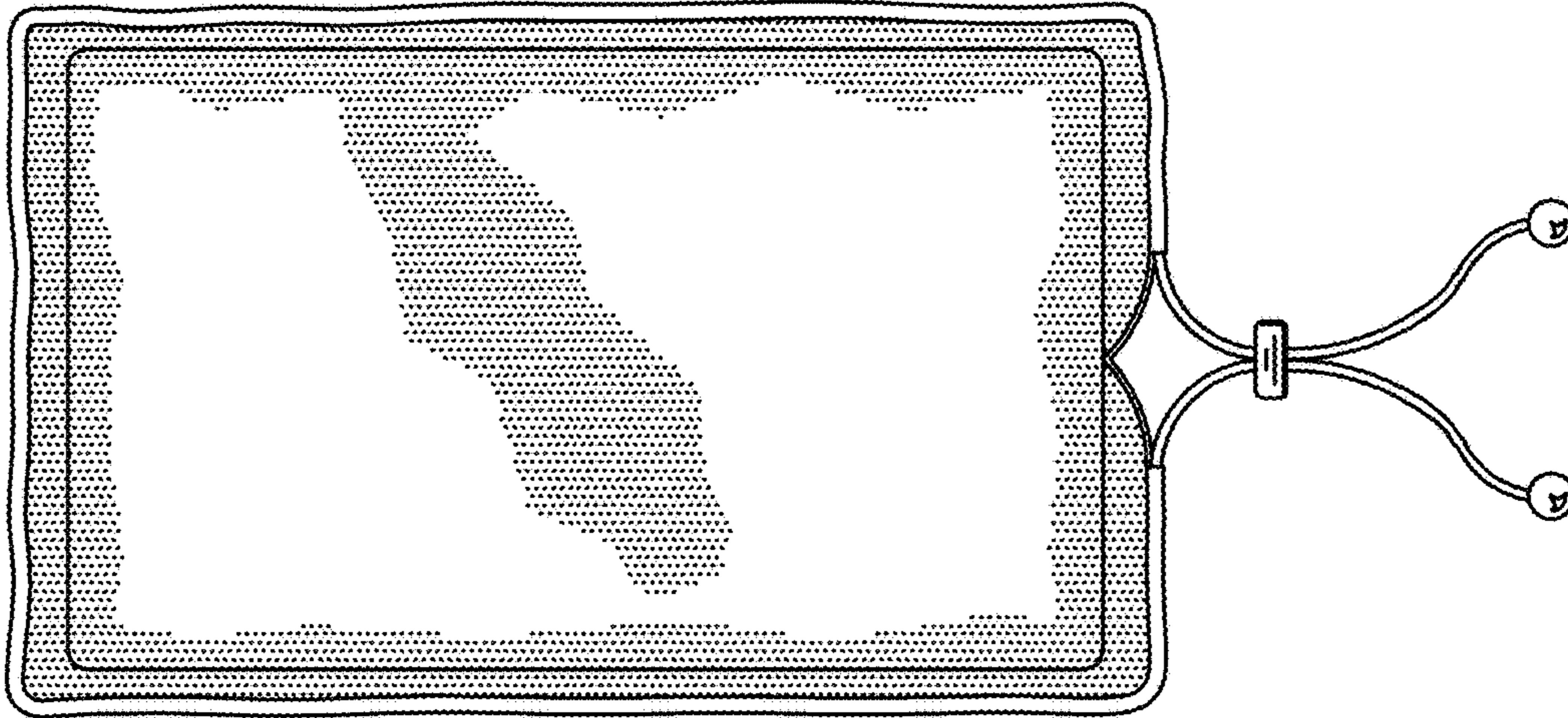




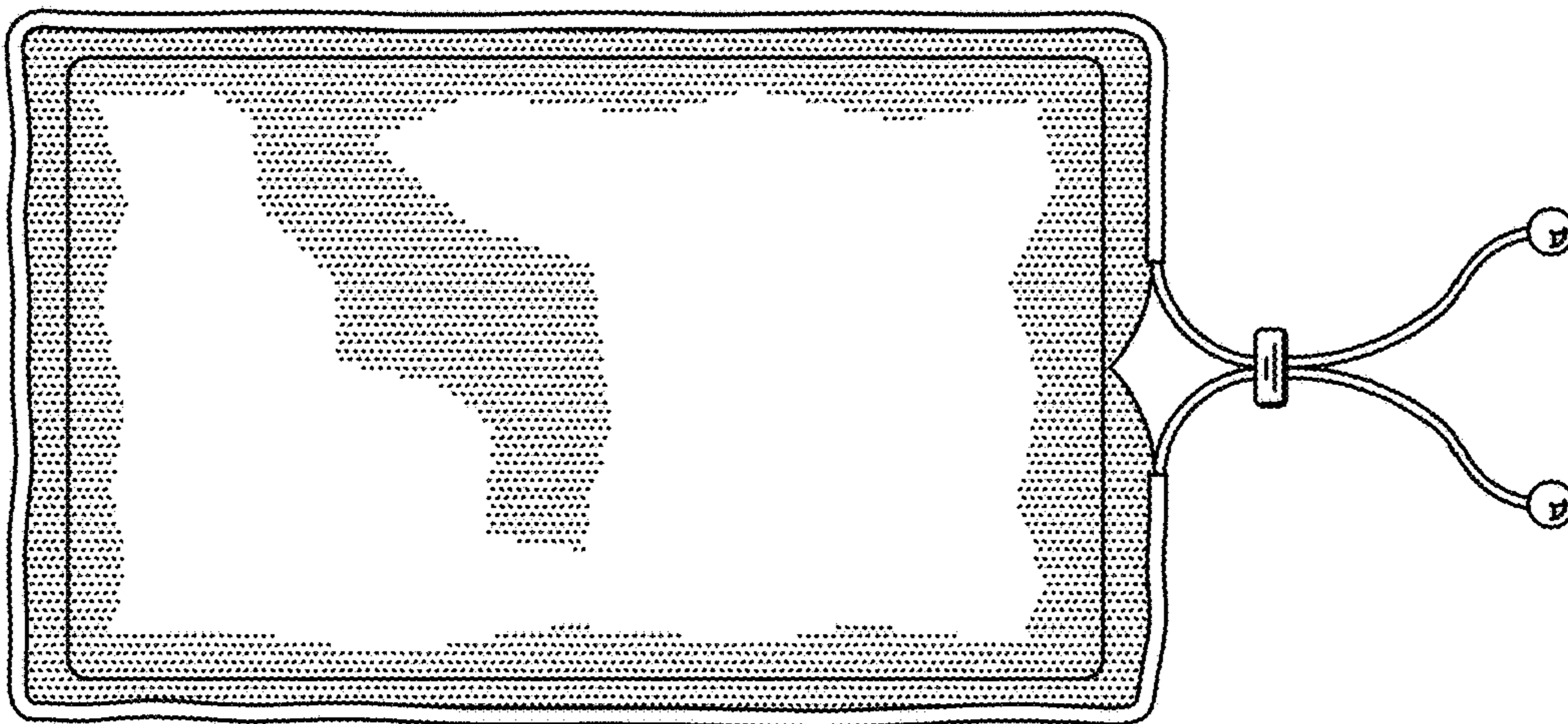
**Fig. 1**



**Fig. 2**



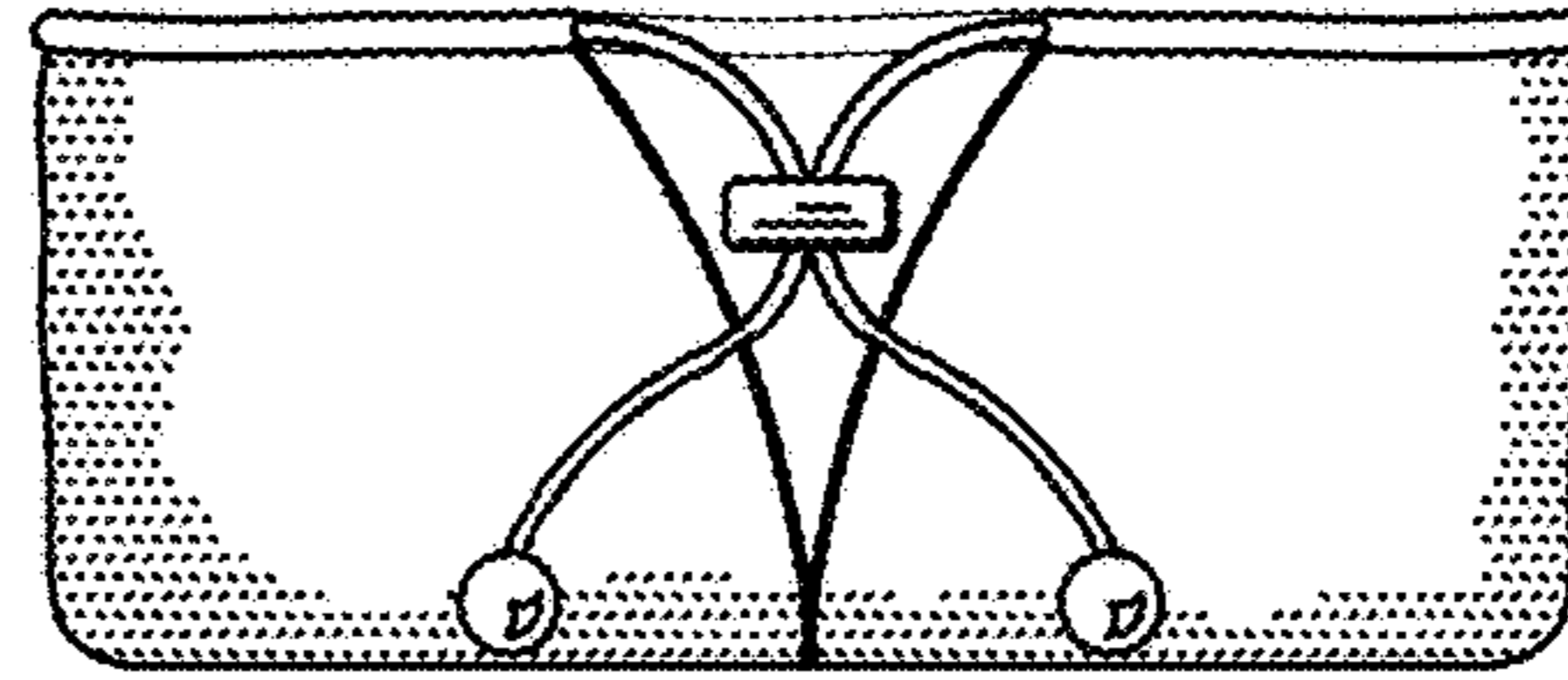
**Fig. 3**



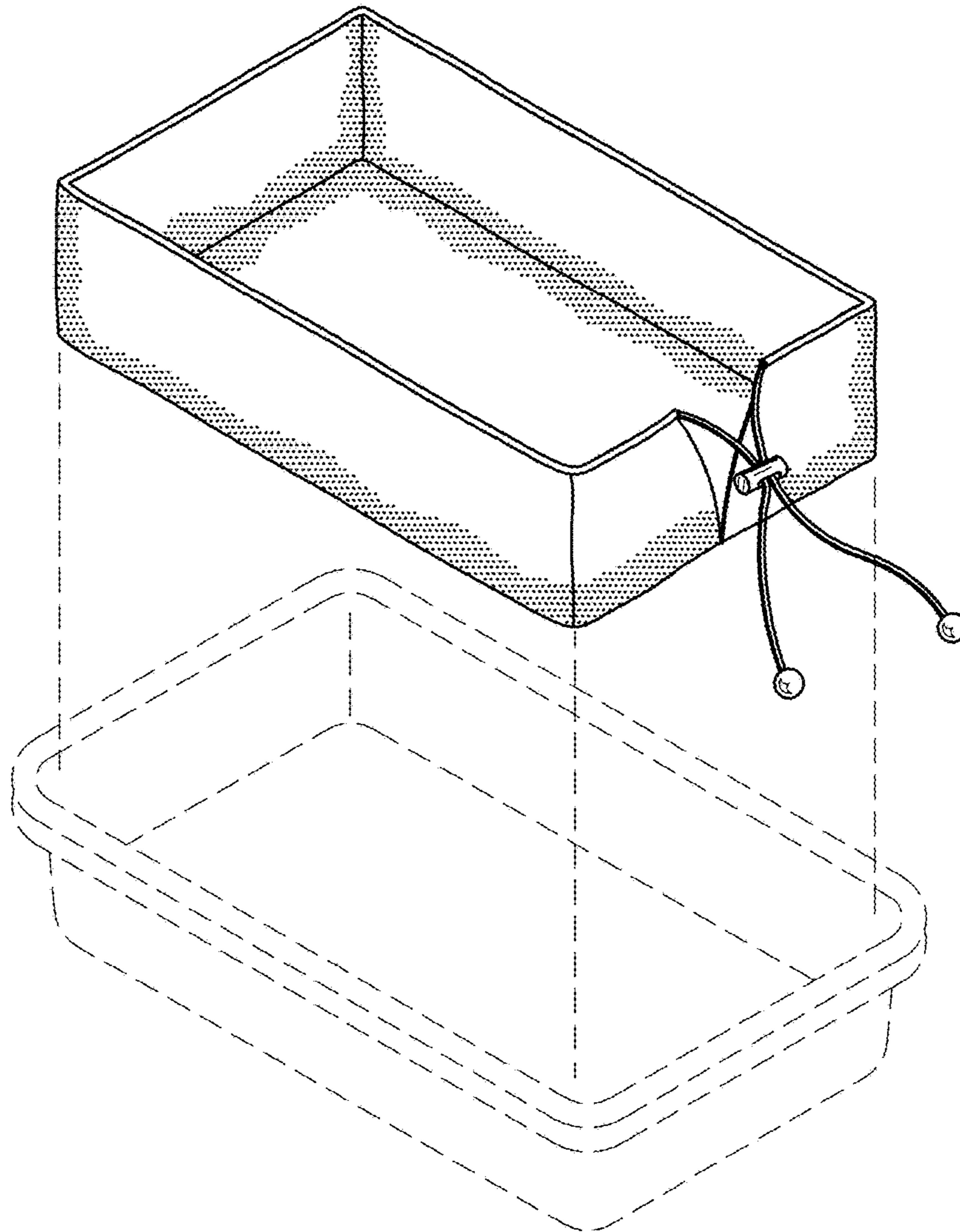
**Fig. 4**



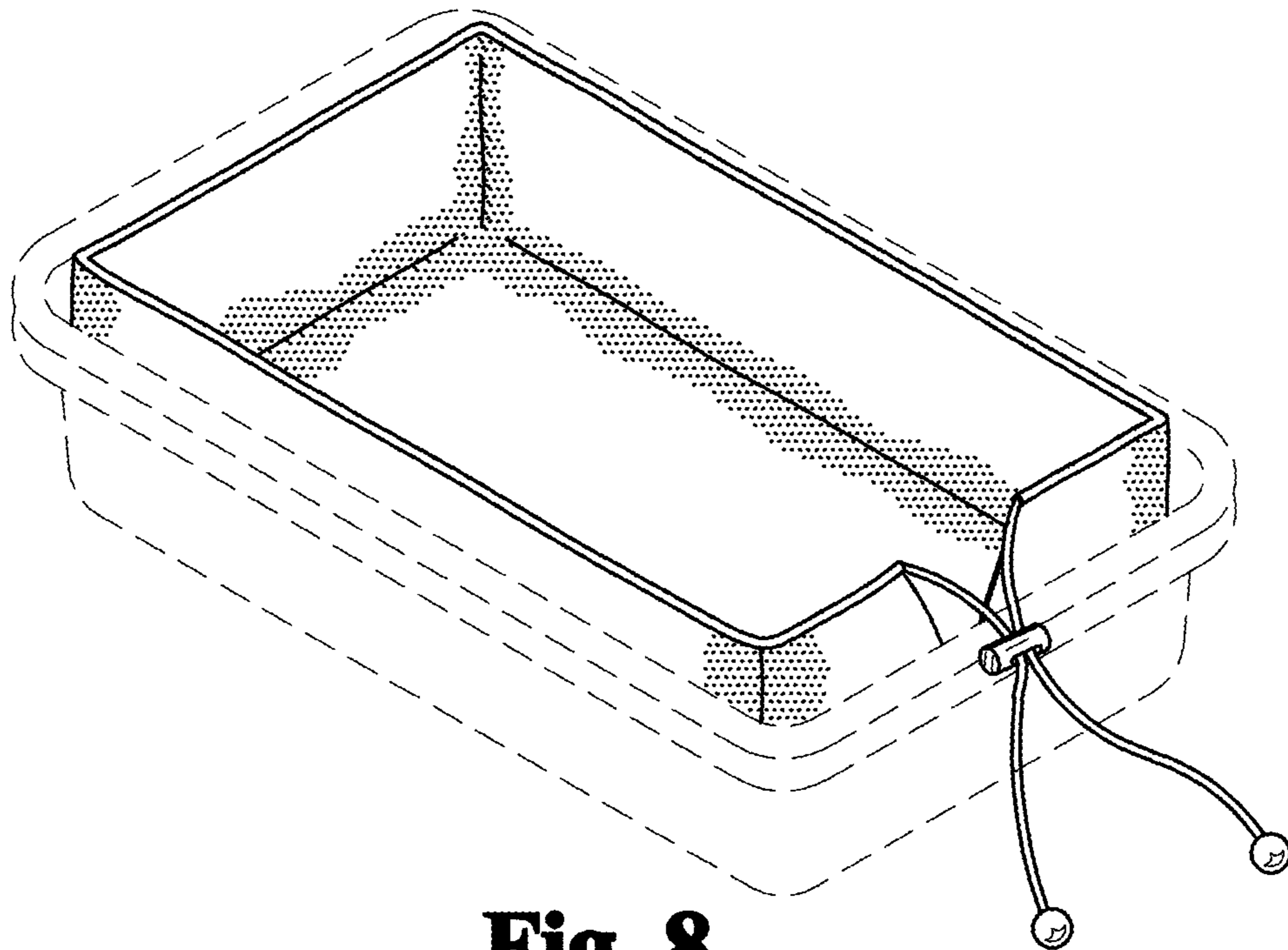
**Fig. 5**



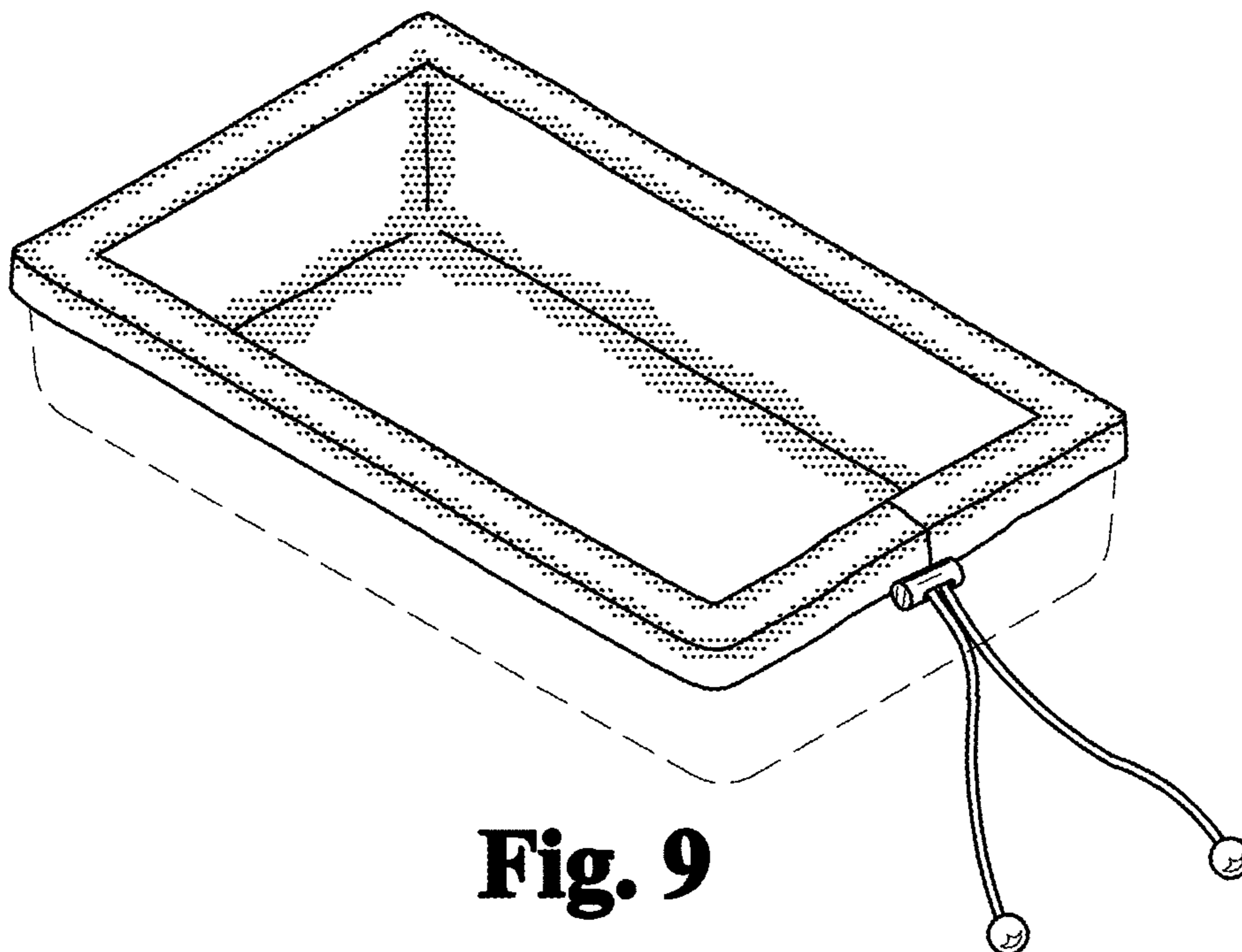
**Fig. 6**



**Fig. 7**



**Fig. 8**



**Fig. 9**