



US00D775829S

(12) **United States Design Patent** (10) **Patent No.:** **US D775,829 S**  
**Wang** (45) **Date of Patent:** **\*\* Jan. 10, 2017**

- (54) **TRAY WITH MAGNETIC BACK PANEL**
- (71) Applicant: **AMPRO NORTH AMERICA CORP.**,  
Chino Hills, CA (US)
- (72) Inventor: **Scott Chien-Kuo Wang**, Irvine, CA  
(US)
- (73) Assignee: **AMPRO NORTH AMERICA CORP.**,  
Irvine, CA (US)

(\*\*) Term: **15 Years**  
(21) Appl. No.: **29/534,439**

- (22) Filed: **Jul. 28, 2015**
- (51) **LOC (10) Cl.** ..... **03-01**
- (52) **U.S. Cl.**  
USPC ..... **D3/304**
- (58) **Field of Classification Search**  
USPC ..... D7/543, 545, 546, 549, 550.1, 552.1,  
D7/553, 553.1, 553.2, 553.6, 554.2;  
D9/424, 432, 715, 761; D30/129-130;  
D3/304-315  
CPC ..... B65D 1/34; B65D 21/00; B65D 21/02;  
B65D 21/0204  
See application file for complete search history.

(56) **References Cited**  
U.S. PATENT DOCUMENTS

D399,656 S	*	10/1998	Mulvihill	.....	D3/307
D472,768 S	*	4/2003	Wellner	.....	D7/550.1
D523,695 S	*	6/2006	Haataja	.....	D7/543
D573,842 S	*	7/2008	Friedland	.....	D7/566
D653,085 S	*	1/2012	Swallow	.....	D7/566

D673,007 S	*	12/2012	Zox	.....	D7/393
D693,179 S	*	11/2013	Vujea	.....	D7/555
D701,429 S	*	3/2014	Krupa	.....	D7/552.1
D734,839 S	*	7/2015	Jones	.....	D23/304
D750,909 S	*	3/2016	Hickman	.....	D3/304
D752,924 S	*	4/2016	Vue	.....	D7/553.1
D763,626 S	*	8/2016	Westrick	.....	D7/584
2012/0000915 A1	*	1/2012	Swallow	.....	A47G 19/06 220/574
2016/0244198 A1	*	8/2016	Doherty	.....	B65D 21/0233

\* cited by examiner

*Primary Examiner* — Kelley Donnelly  
(74) *Attorney, Agent, or Firm* — Vista IP Law Group LLP

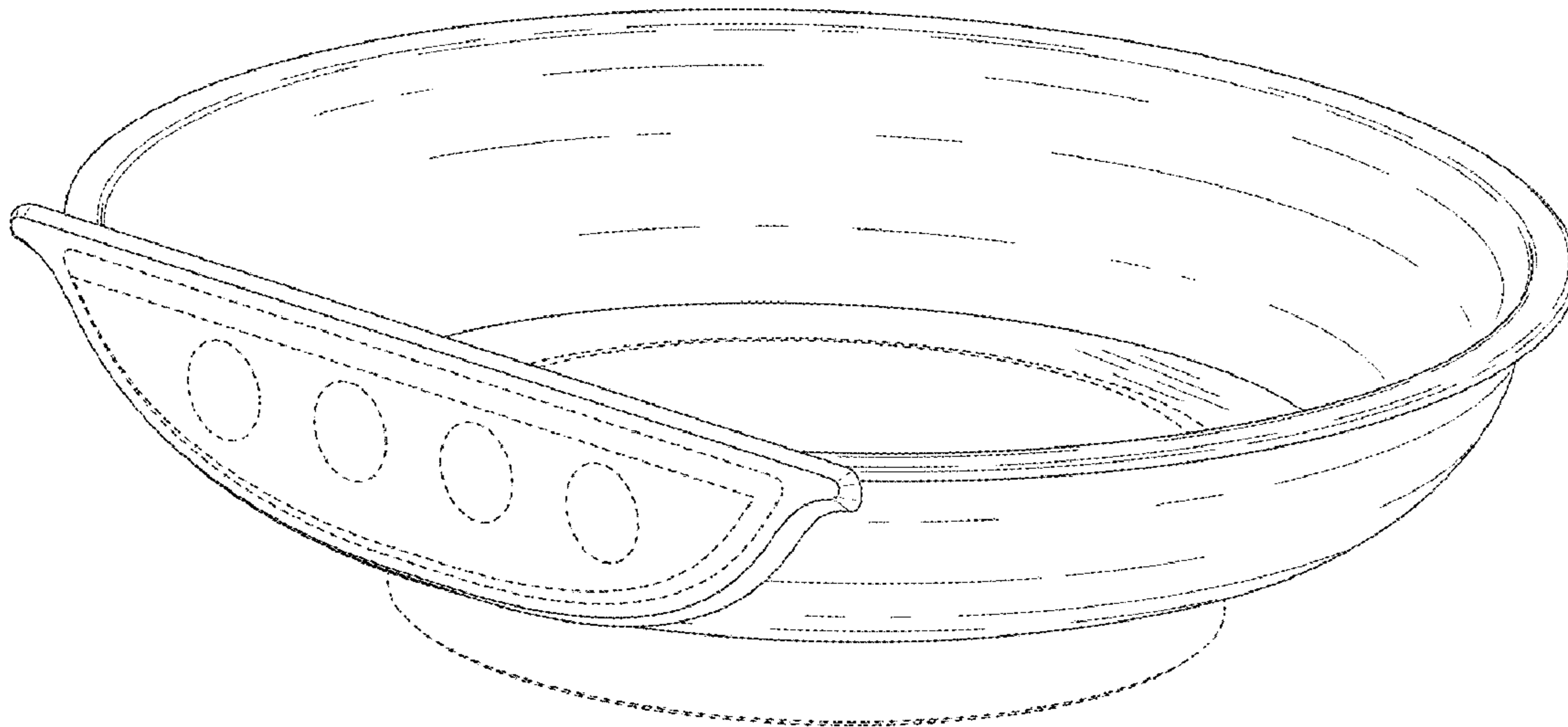
(57) **CLAIM**

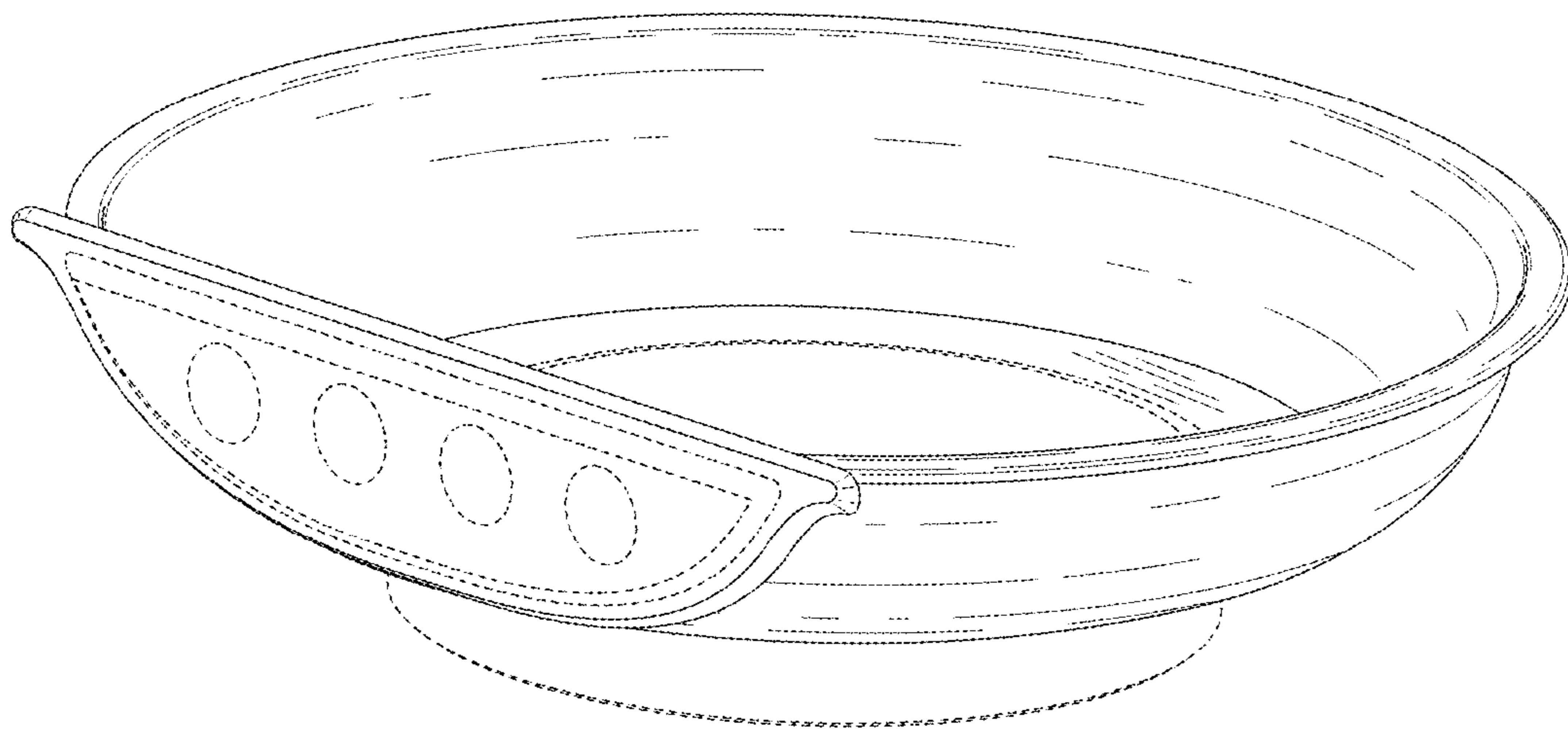
The ornamental design for a tray with magnetic back panel, as shown and described.

**DESCRIPTION**

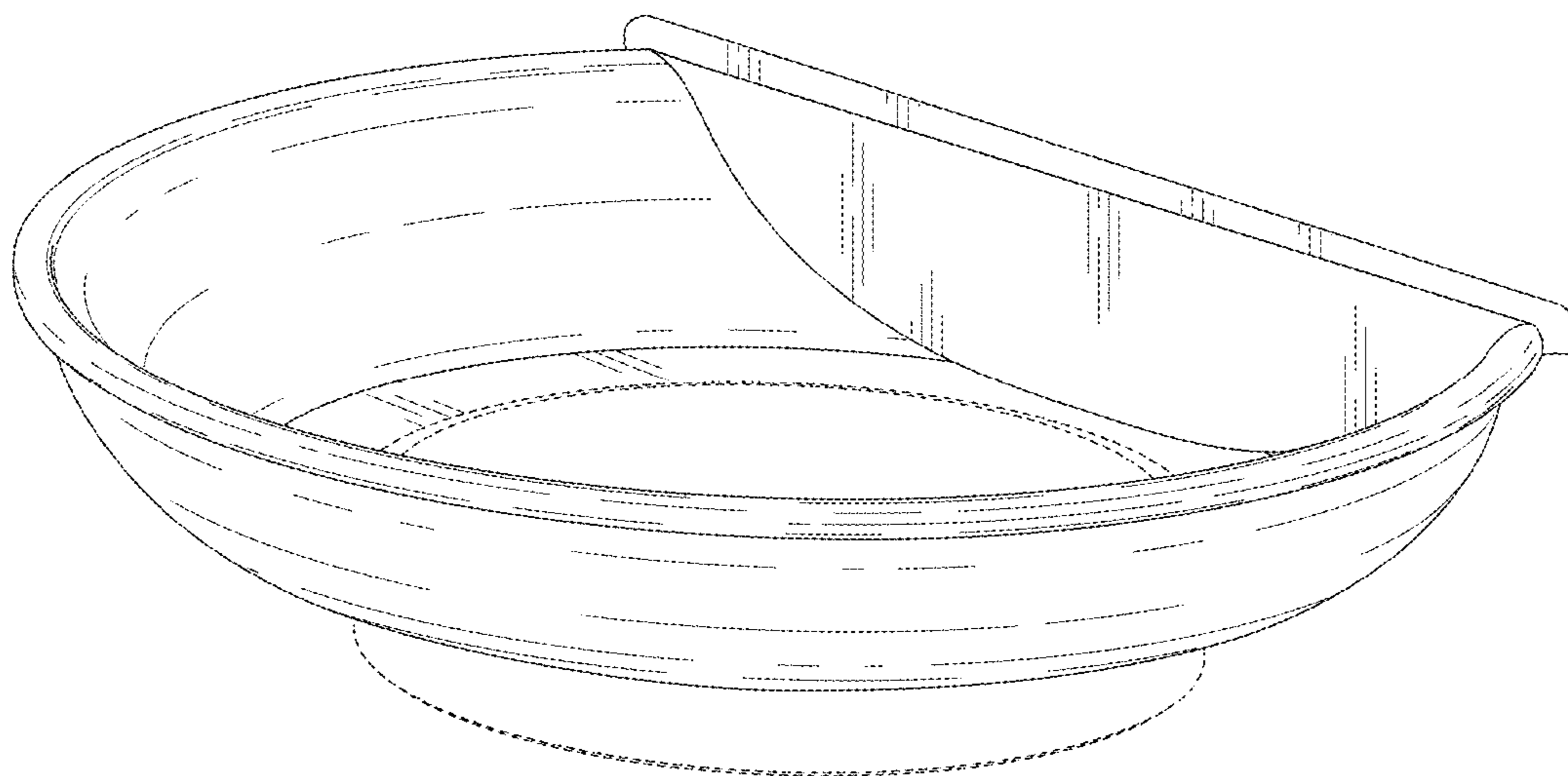
FIG. 1 is a back perspective view of a tray with magnetic back panel showing the new design;  
FIG. 2 is a front perspective view thereof;  
FIG. 3 is a front view thereof;  
FIG. 4 is a back view thereof;  
FIG. 5 is a right side view thereof;  
FIG. 6 is a left side view thereof;  
FIG. 7 is a top view thereof; and,  
FIG. 8 is a bottom view thereof.  
The broken lines are for the purpose of illustrating portions of the tray with magnetic back panel, and form no part of the claimed design.

**1 Claim, 5 Drawing Sheets**

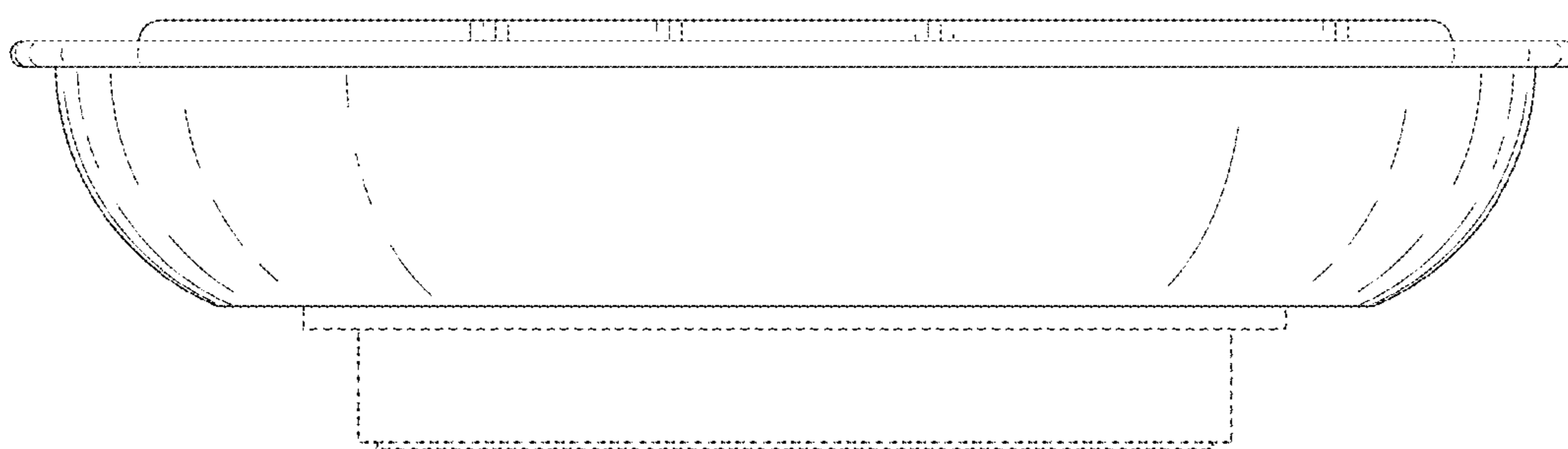




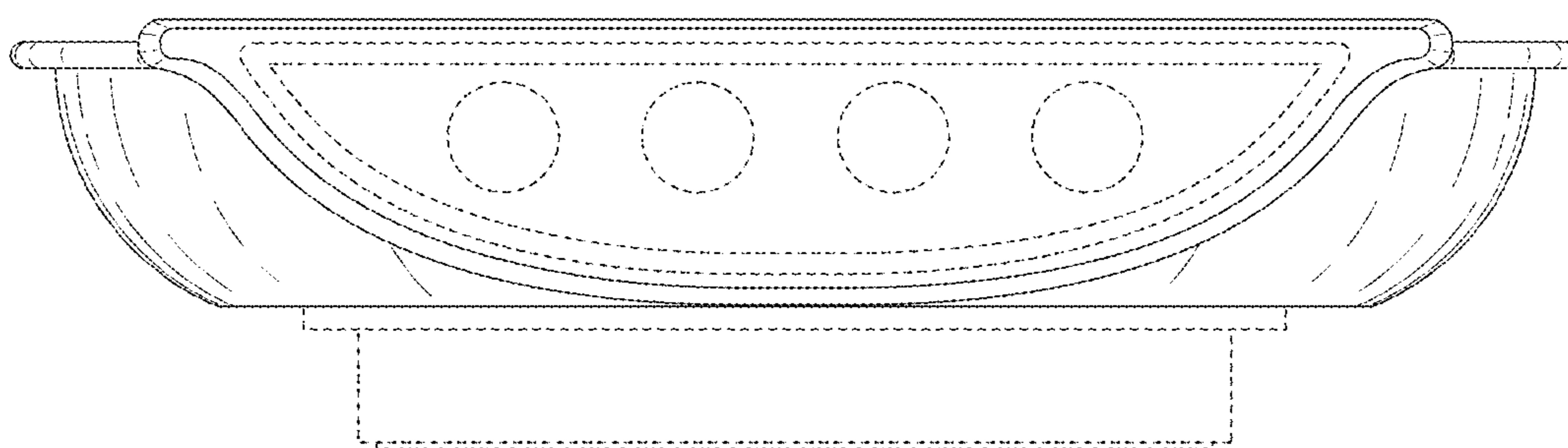
*Fig. 1*



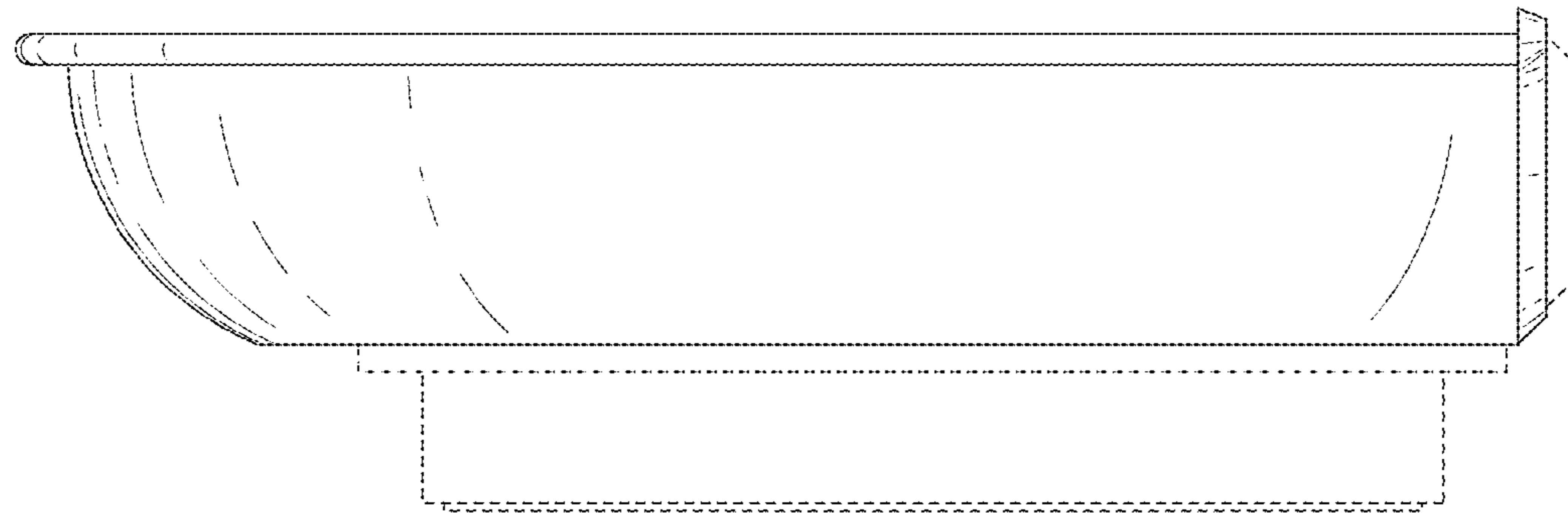
*Fig. 2*



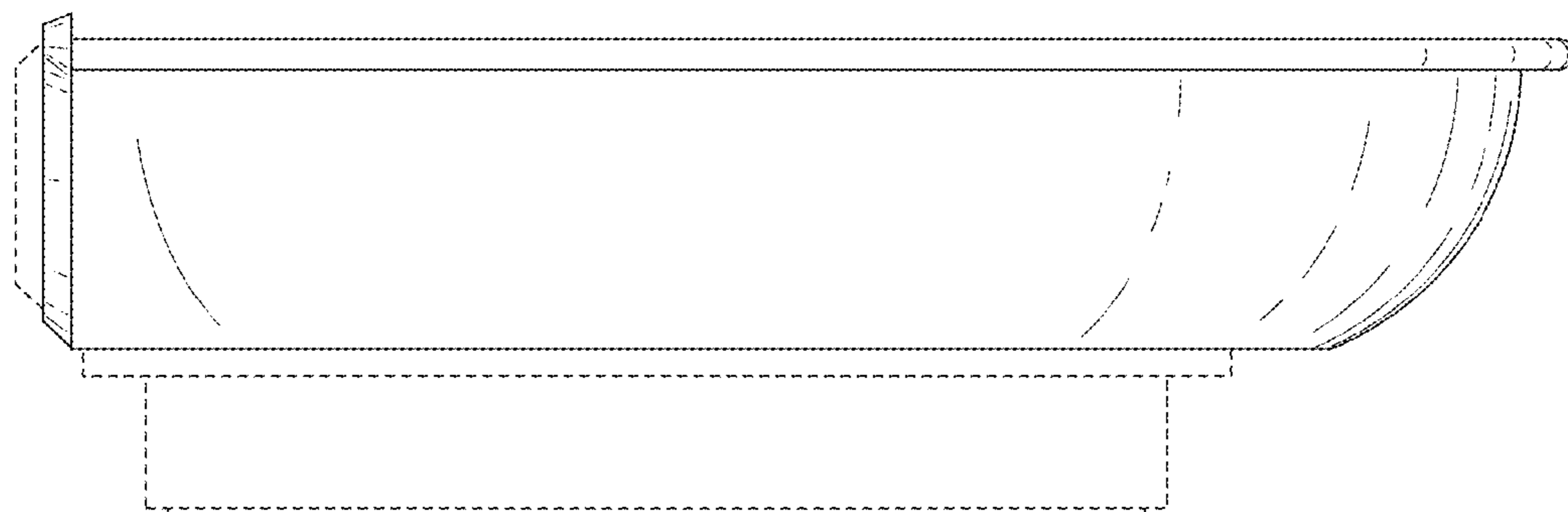
*Fig. 3*



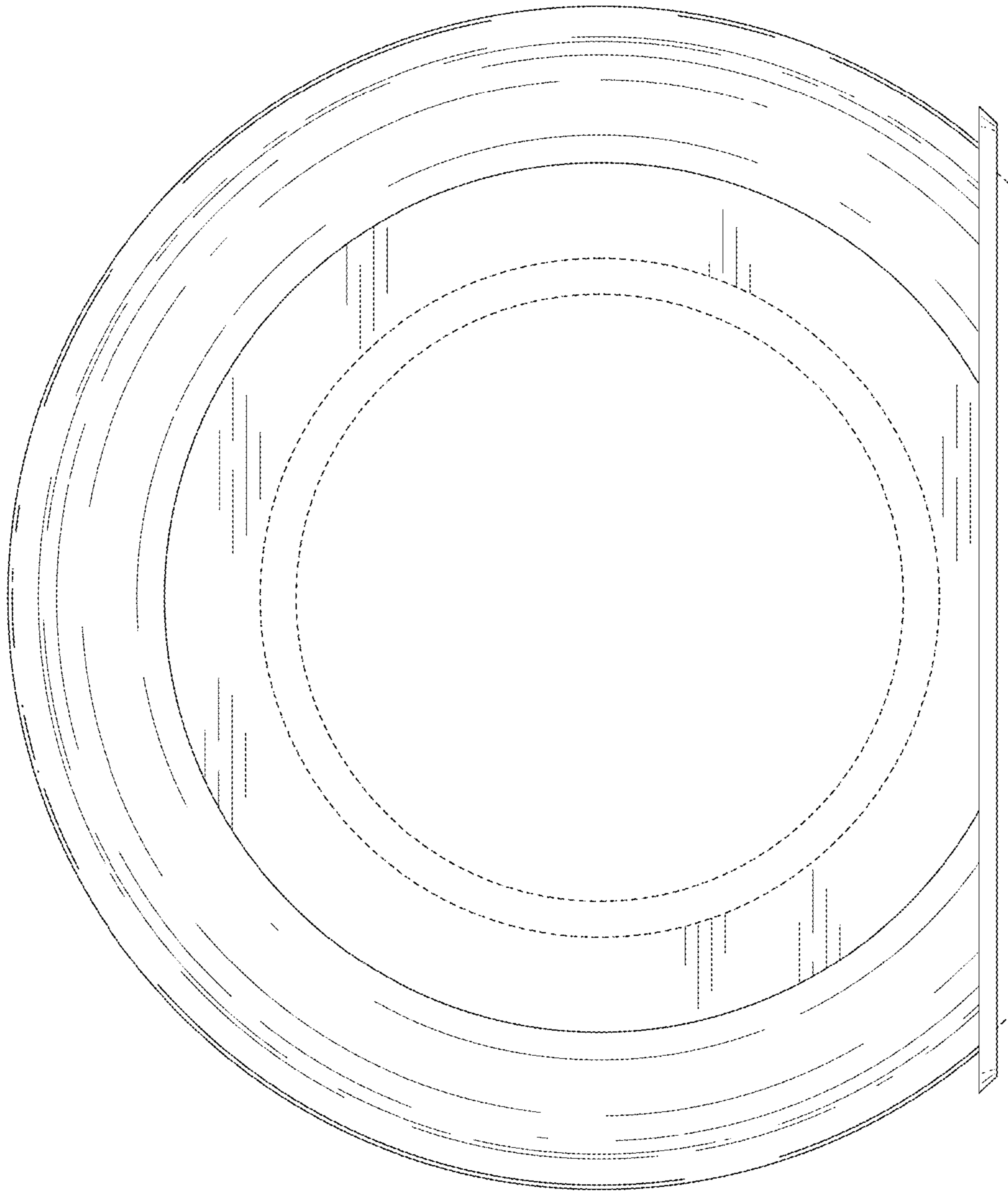
*Fig. 4*



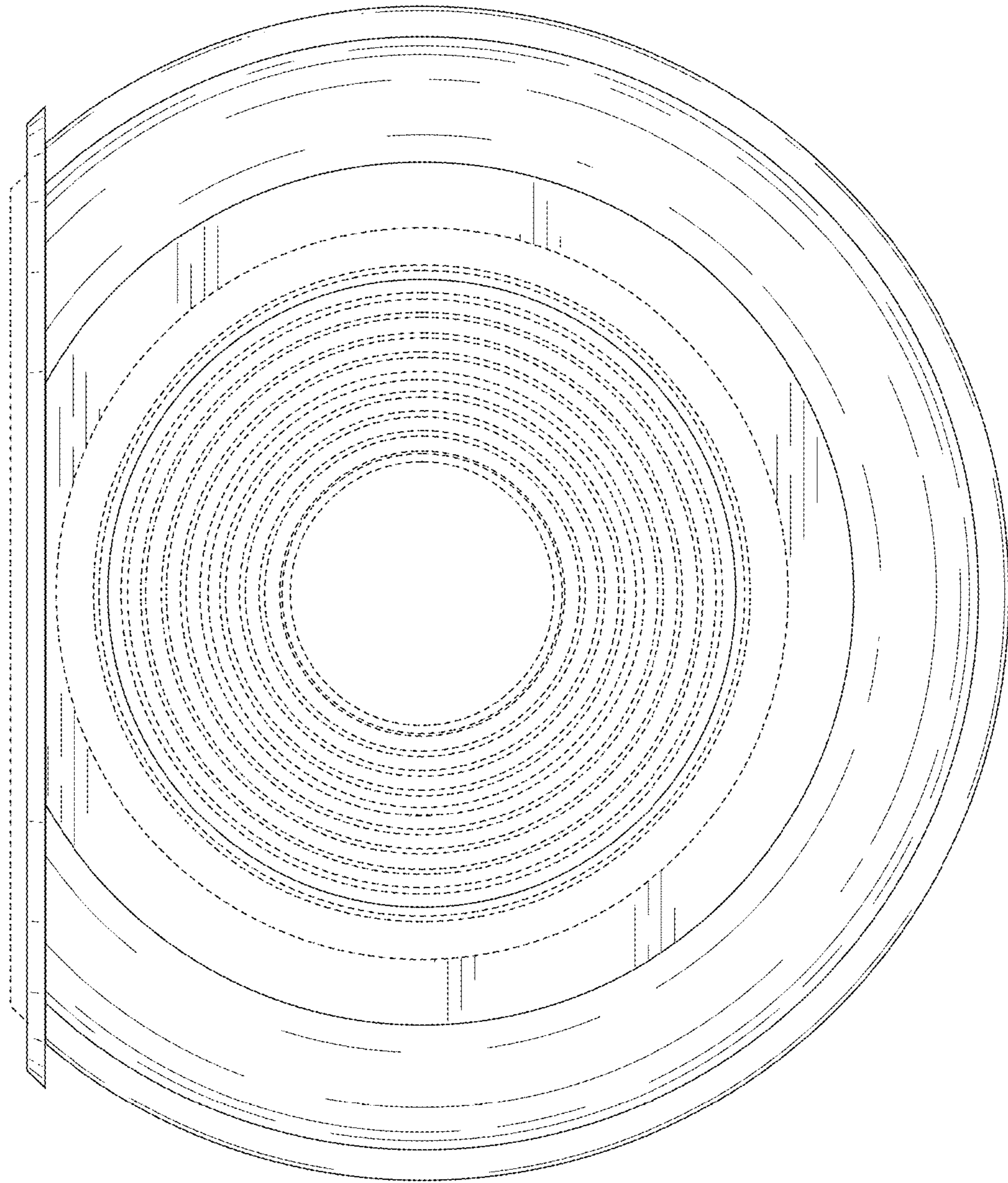
*Fig. 5*



*Fig. 6*



*Fig. 7*



*Fig. 8*