



US00D775827S

(12) **United States Design Patent**  
**Wang**

(10) **Patent No.:** **US D775,827 S**

(45) **Date of Patent:** **\*\* Jan. 10, 2017**

- (54) **TRAY WITH MAGNETIC BACK PANEL**
- (71) Applicant: **AMPRO NORTH AMERICA CORP.**,  
Chino Hills, CA (US)
- (72) Inventor: **Scott Chien-Kuo Wang**, Irvine, CA  
(US)
- (73) Assignee: **AMPRO NORTH AMERICA CORP.**,  
Irvine, CA (US)

D523,695 S *	6/2006	Haataja	.....	D7/543
D573,842 S *	7/2008	Friedland	.....	D7/566
D653,085 S *	1/2012	Swallow	.....	D7/566
D673,007 S *	12/2012	Zox	.....	D7/393
D693,179 S *	11/2013	Vujea	.....	D7/555
D701,429 S *	3/2014	Krupa	.....	D7/552.1
D752,924 S *	4/2016	Vue	.....	D7/553.1
D763,626 S *	8/2016	Westrick	.....	D7/584
2012/0000915 A1 *	1/2012	Swallow	.....	A47G 19/06 220/574
2016/0244198 A1 *	8/2016	Doherty	.....	B65D 21/0233

(\*\*) Term: **15 Years**

(21) Appl. No.: **29/534,429**

(22) Filed: **Jul. 28, 2015**

(51) **LOC (10) Cl.** ..... **03-01**

(52) **U.S. Cl.**  
USPC ..... **D3/304**

(58) **Field of Classification Search**  
 USPC ..... D7/543, 545, 546, 549, 550.1, 552.1,  
                   D7/553, 553.1, 553.2, 553.6, 554.2;  
                   D9/424, 432, 715, 761; D30/129-130;  
   D3/304-315  
 CPC ..... B65D 1/34; B65D 21/00; B65D 21/02;  
   B65D 21/0204  
 See application file for complete search history.

(56) **References Cited**

**U.S. PATENT DOCUMENTS**

- D399,656 S \* 10/1998 Mulvihill ..... D3/307
- D472,768 S \* 4/2003 Wellner ..... D7/550.1

\* cited by examiner

*Primary Examiner* — Kelley Donnelly

(74) *Attorney, Agent, or Firm* — Vista IP Law Group LLP

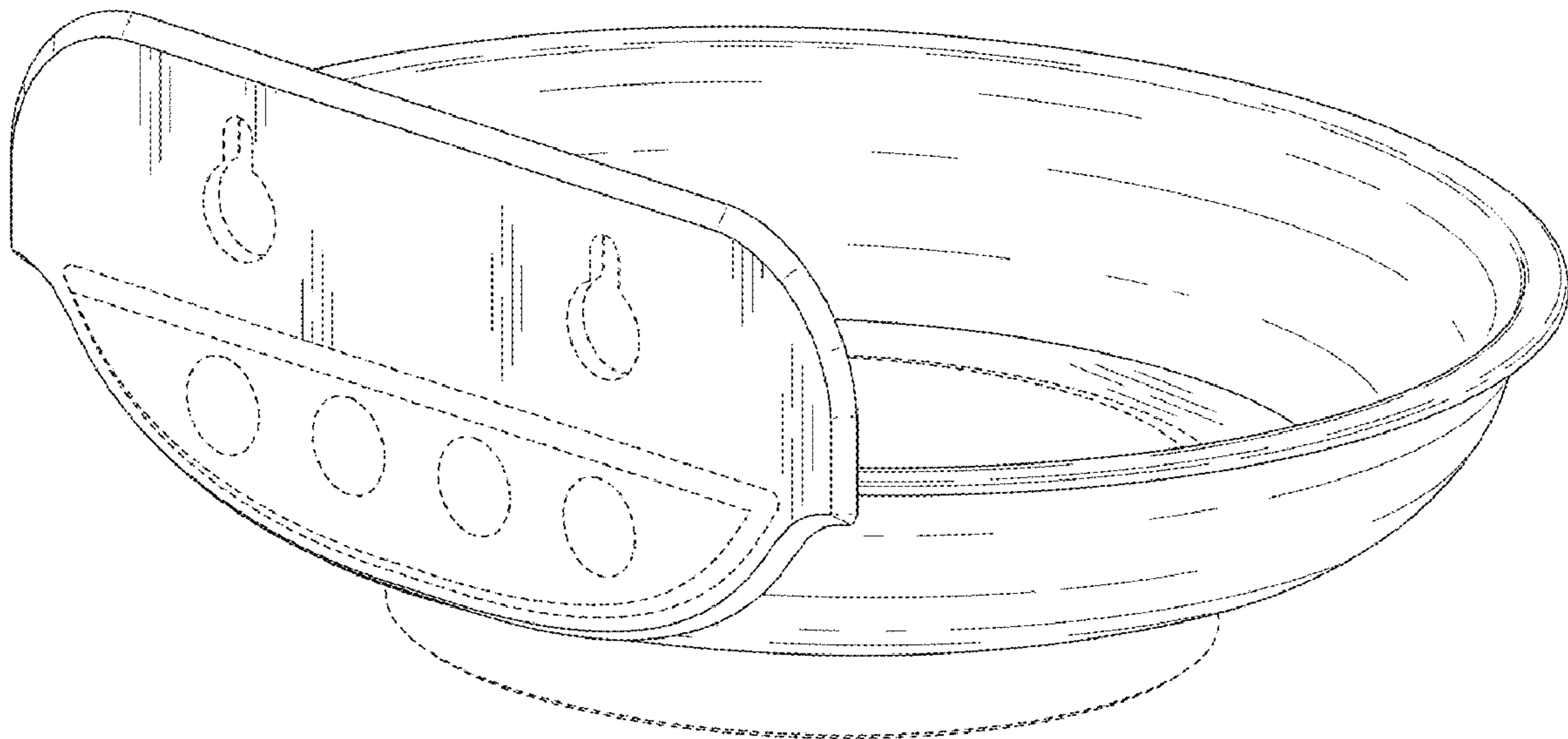
(57) **CLAIM**

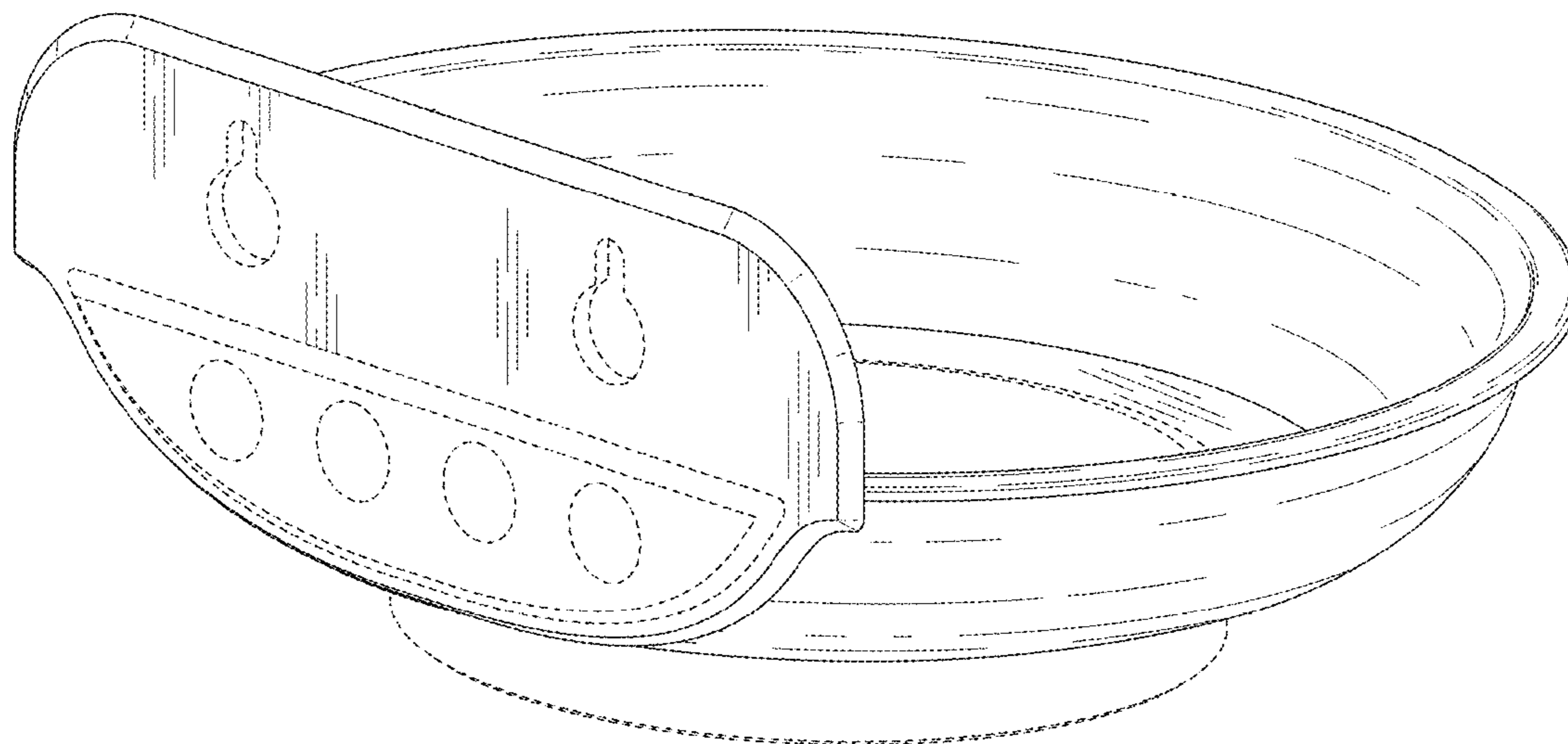
The ornamental design for a tray with magnetic back panel, as shown and described.

**DESCRIPTION**

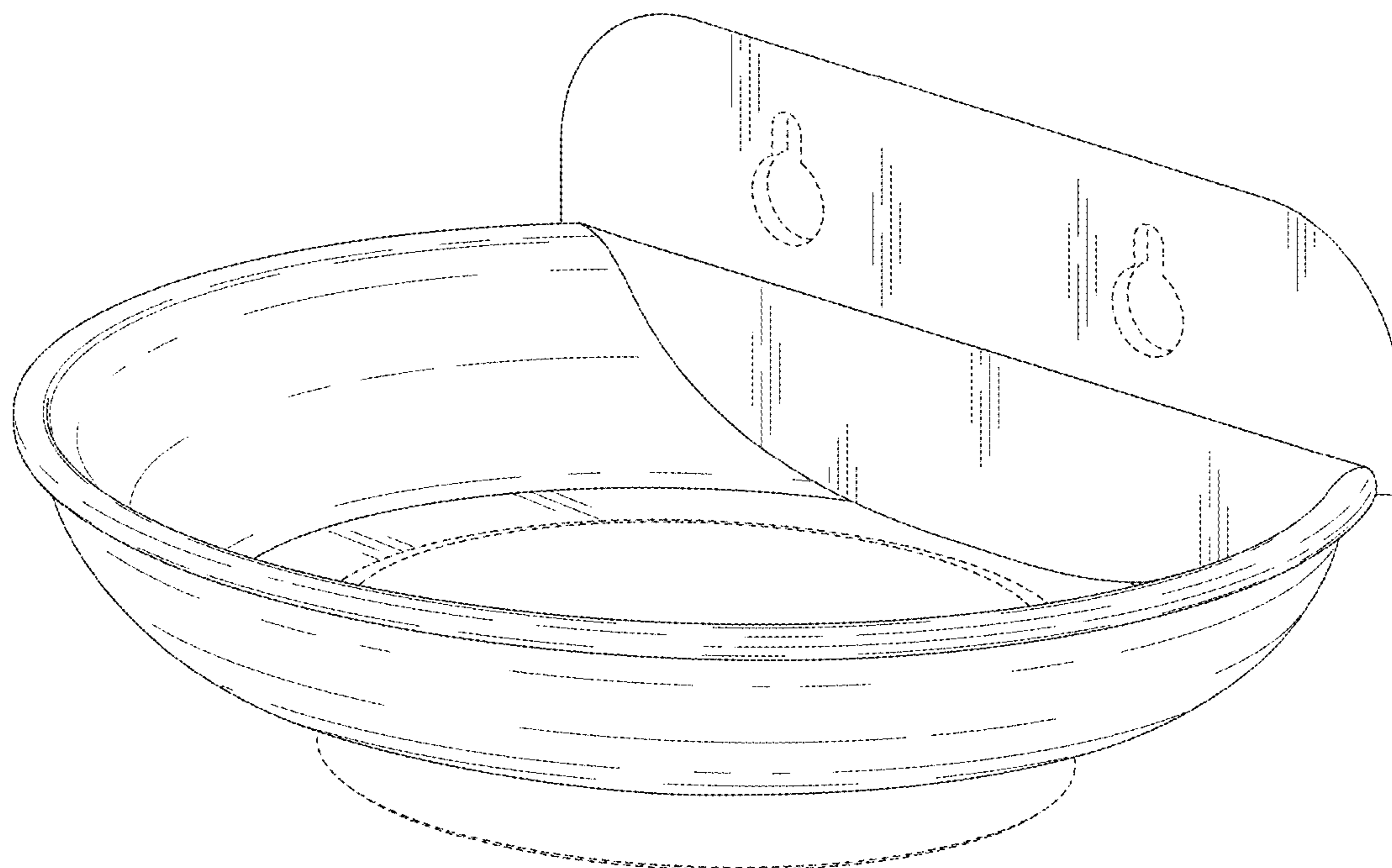
FIG. 1 is a back perspective view of a tray with magnetic back panel showing the new design;  
 FIG. 2 is a front perspective view thereof;  
 FIG. 3 is a front view thereof;  
 FIG. 4 is a back view thereof;  
 FIG. 5 is a right side view thereof;  
 FIG. 6 is a left side view thereof;  
 FIG. 7 is a top view thereof; and,  
 FIG. 8 is a bottom view thereof.  
 The broken lines are for the purpose of illustrating portions of the tray with magnetic back panel, and form no part of the claimed design.

**1 Claim, 5 Drawing Sheets**

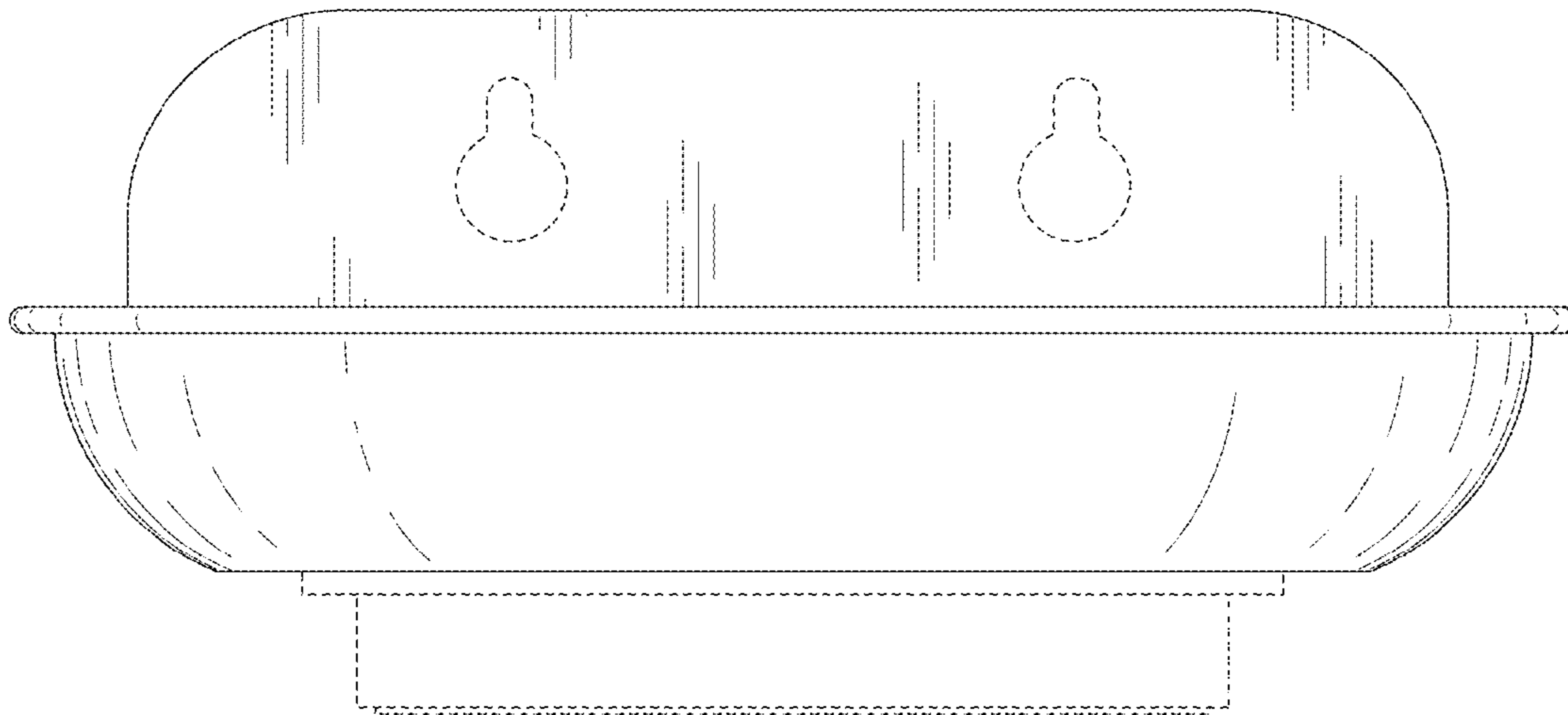




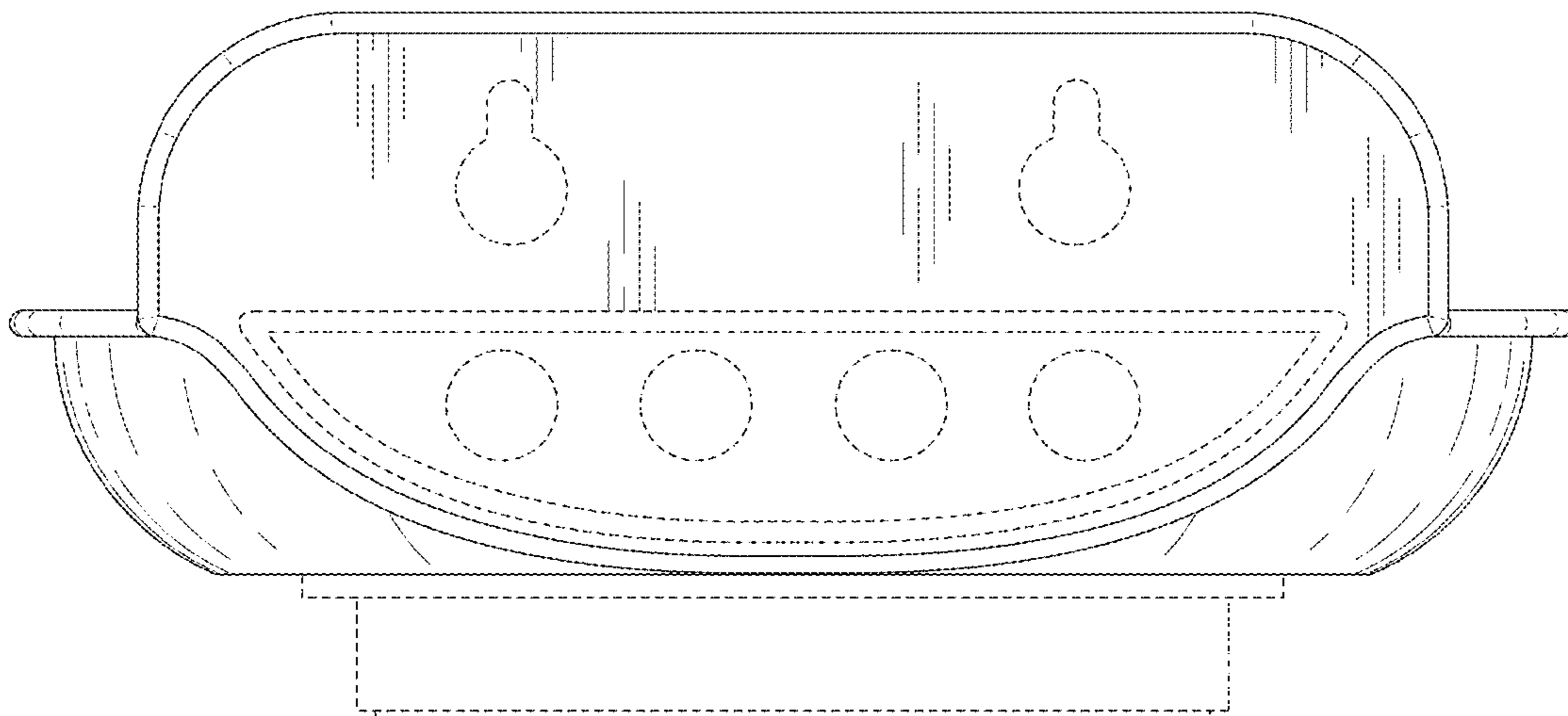
*Fig. 1*



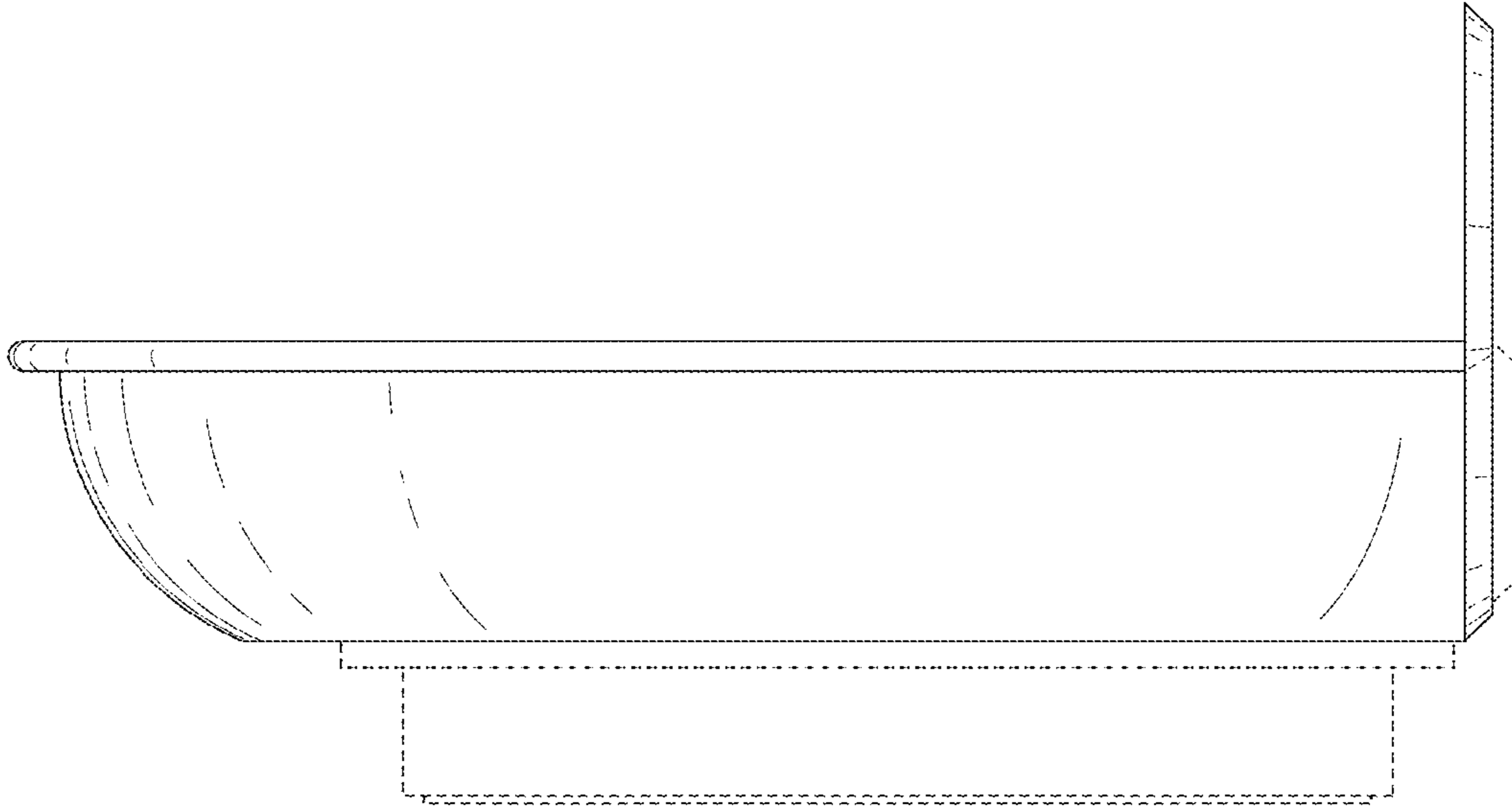
*Fig. 2*



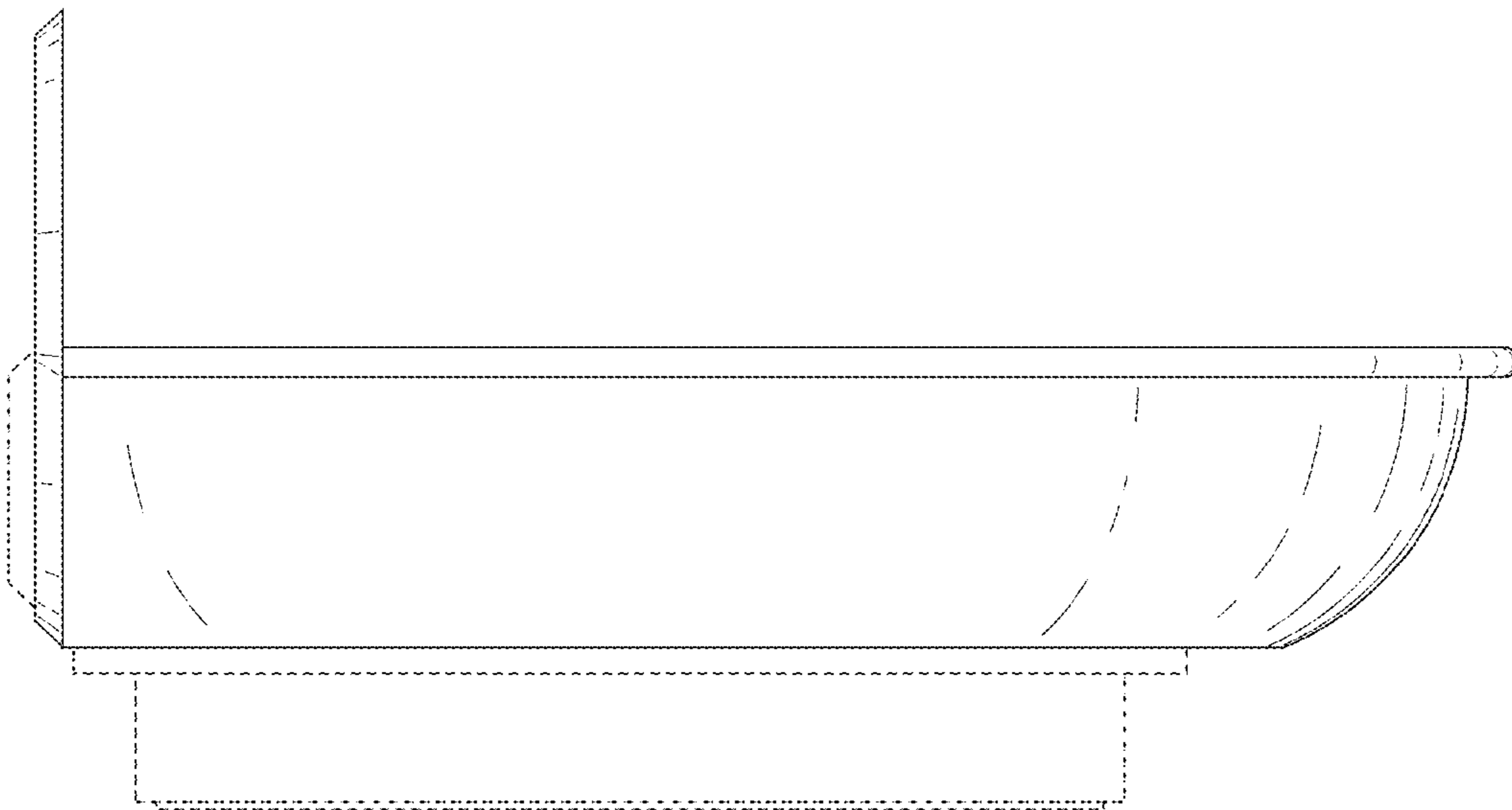
*Fig. 3*



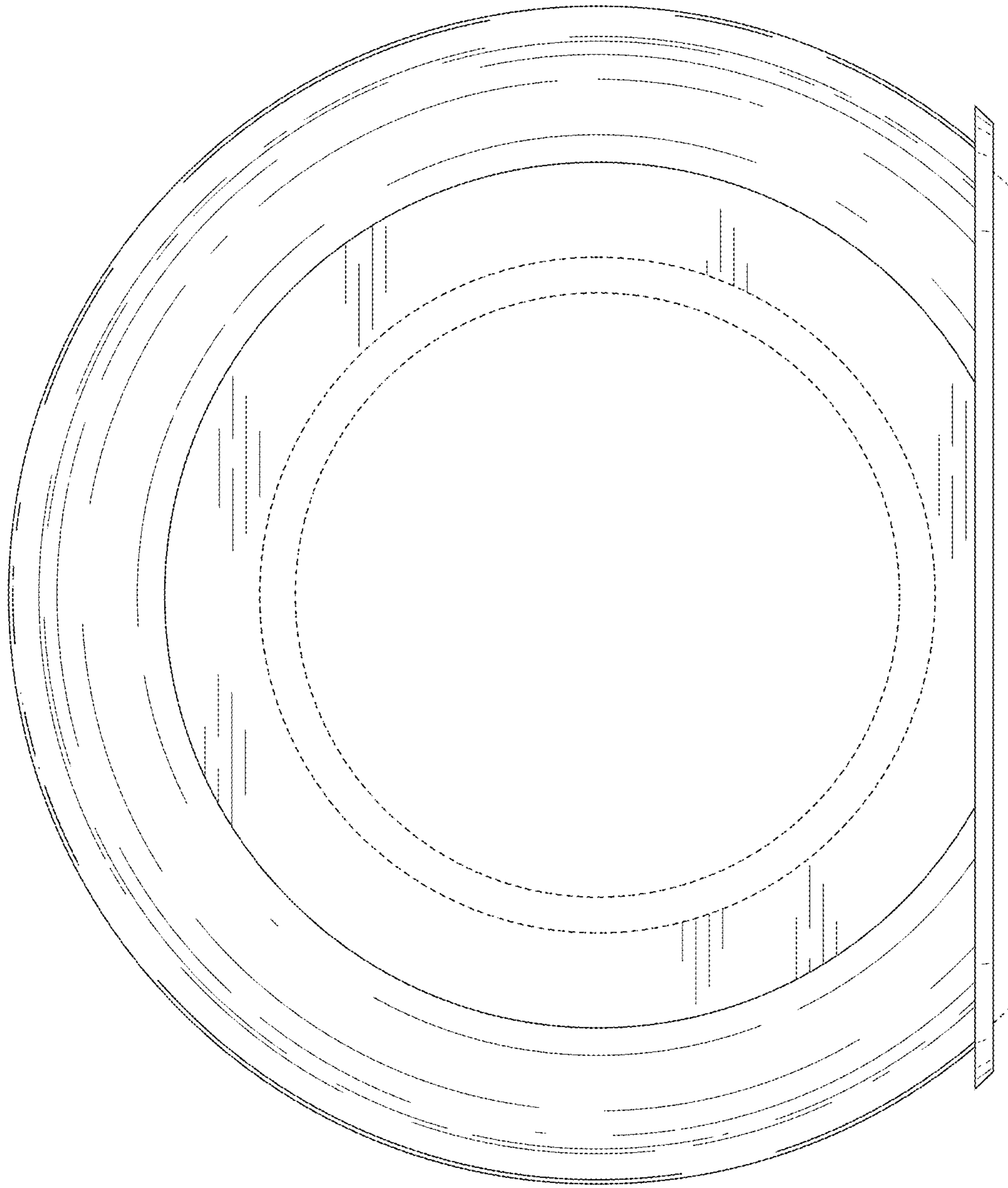
*Fig. 4*



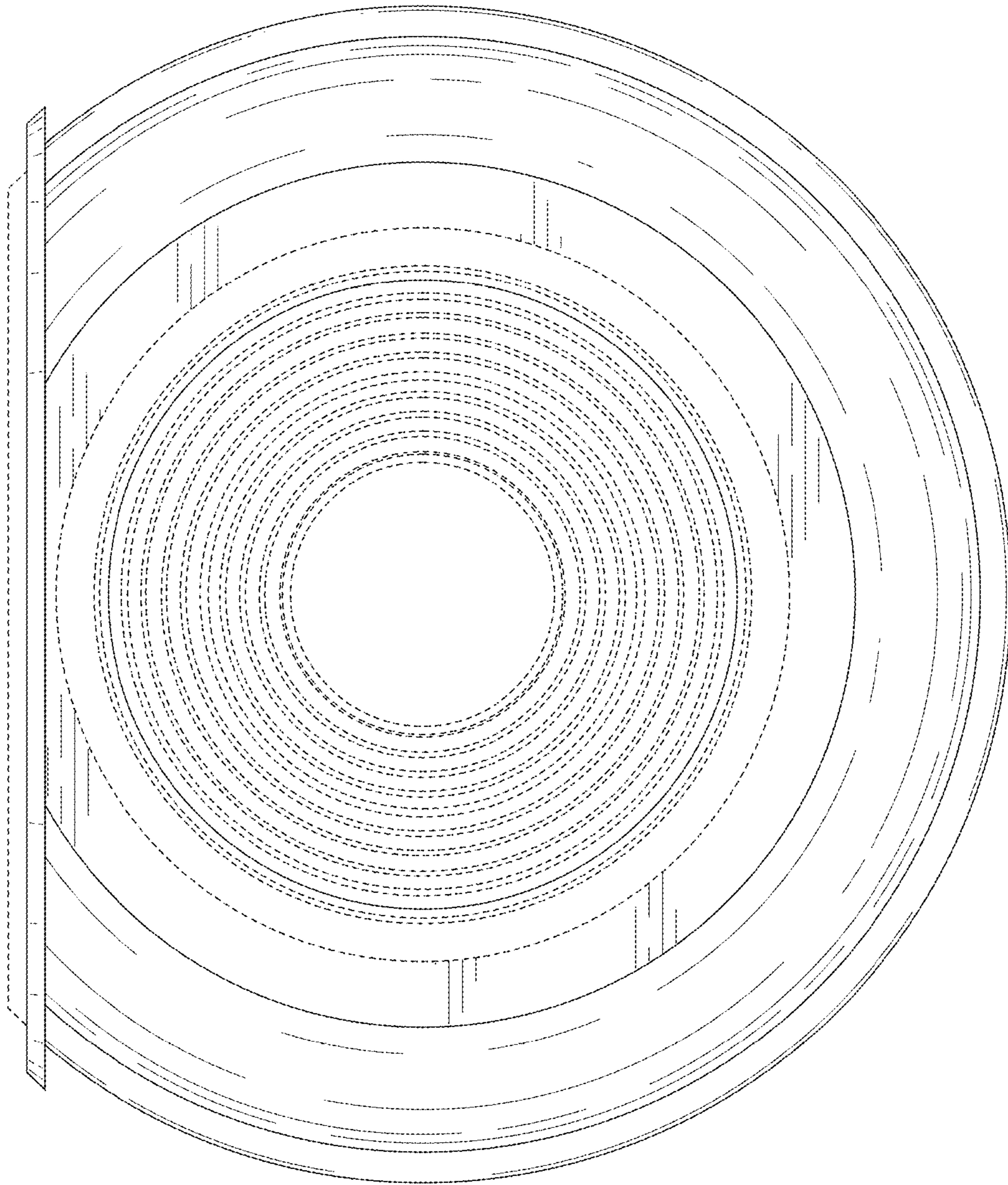
*Fig. 5*



*Fig. 6*



*Fig. 7*



*Fig. 8*