



US00D775823S

(12) **United States Design Patent** (10) **Patent No.:** **US D775,823 S**  
**Jacobs et al.** (45) **Date of Patent:** **\*\* Jan. 10, 2017**

(54) **HANDBAG** D715,543 S \* 10/2014 Dumas ..... D3/245  
D728,227 S \* 5/2015 Hawkes ..... D3/245  
(71) Applicant: **Marc Jacobs Trademarks, L.L.C.**, D728,927 S \* 5/2015 Dumas ..... D3/245  
New York, NY (US)

(72) Inventors: **Marc Jacobs**, Paris (FR); **Raphaelle Hanley**, Paris (FR)

(73) Assignee: **Marc Jacobs Trademarks, L.L.C.**, New York, NY (US)

(\*\*) Term: **14 Years**

(21) Appl. No.: **29/517,209**

(22) Filed: **Feb. 11, 2015**

(51) **LOC (10) Cl.** ..... **03-01**

(52) **U.S. Cl.**  
USPC ..... **D3/245**

(58) **Field of Classification Search**  
USPC ..... D3/232, 233, 239, 240–243, 245–246,  
D3/318; 150/100, 103–110, 113–114,  
150/117–119; 190/106  
CPC ..... A45C 3/06; A45C 3/04; A45C 7/077  
See application file for complete search history.

(56) **References Cited**

**U.S. PATENT DOCUMENTS**

D31,053 S \* 6/1899 Lehman ..... D3/241  
D108,280 S \* 2/1938 Felmann ..... D3/240  
D144,514 S \* 4/1946 Rath ..... D3/240  
D179,248 S \* 11/1956 Hardy ..... D3/241  
D559,542 S \* 1/2008 Nair ..... D3/246  
D566,385 S \* 4/2008 Yuson ..... D3/232  
D668,041 S \* 10/2012 Kriemler ..... D3/232  
D711,100 S \* 8/2014 Dingizian ..... D3/245  
D714,049 S \* 9/2014 Wang ..... D3/245

**OTHER PUBLICATIONS**

<https://www.youtube.com/watch?v=JE5BTj1HLgg> author: Marc Jacobs date: Aug. 5, 2014.\*

\* cited by examiner

*Primary Examiner* — Derrick Holland  
*Assistant Examiner* — Jennifer O King

(74) *Attorney, Agent, or Firm* — Kelley Drye & Warren LLP

(57) **CLAIM**

The ornamental design for a handbag, as shown and described.

**DESCRIPTION**

FIG. 1 is a perspective view of a handbag;  
FIG. 2 is a front view thereof;  
FIG. 3 is a rear view thereof;  
FIG. 4 is a left side view thereof;  
FIG. 5 is a right side view thereof;  
FIG. 6 is a top view thereof; and,  
FIG. 7 is a bottom view thereof.

The long-short-long broken lines showing a shoulder strap, zippers, a strap attached to a padlock, the padlock, and a buckle strap attached to the handles, form no part of the claimed design. The remaining broken lines represent stitching, which forms no part of the claimed design.

**1 Claim, 7 Drawing Sheets**





FIG. 1

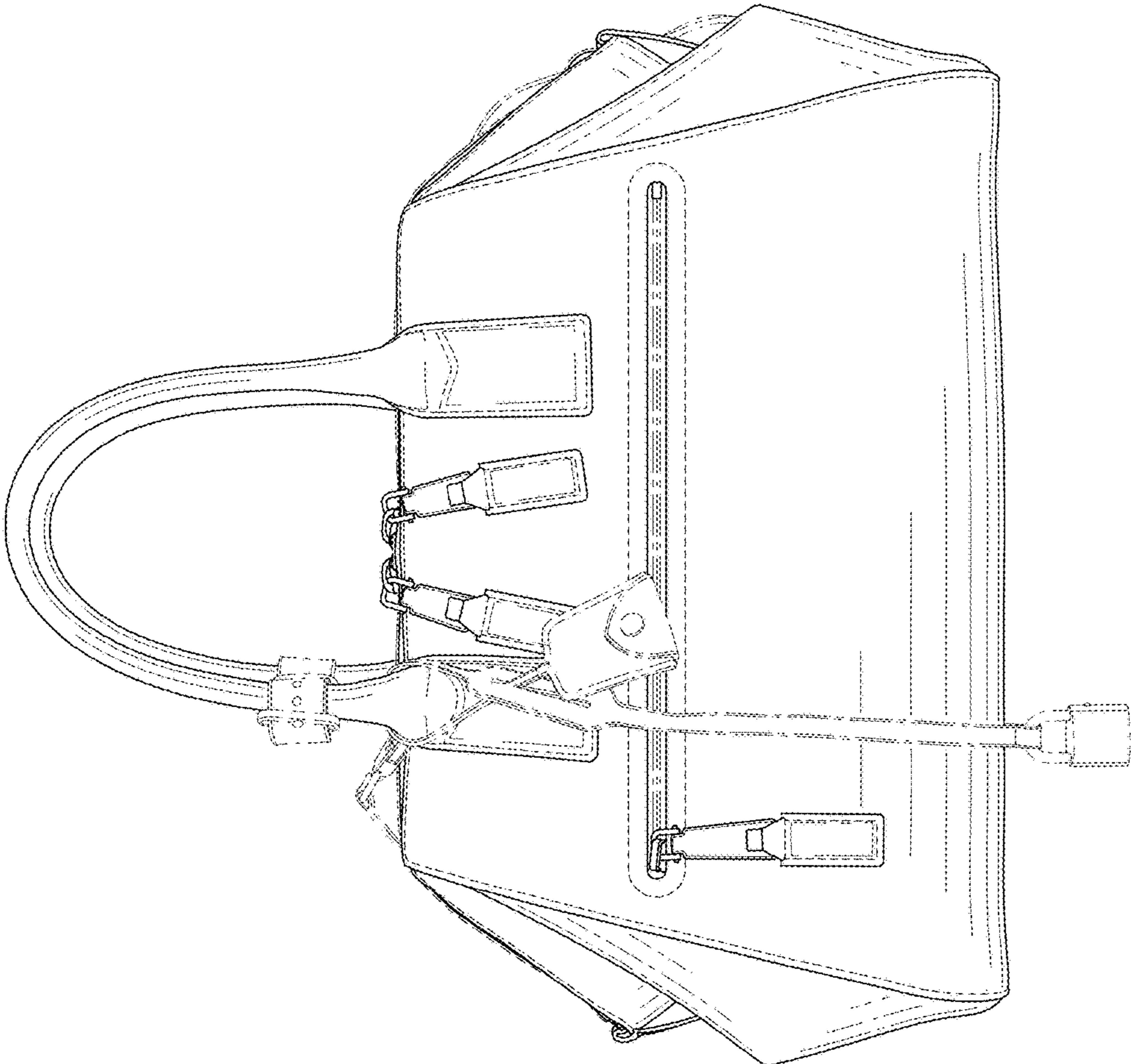


FIG. 2



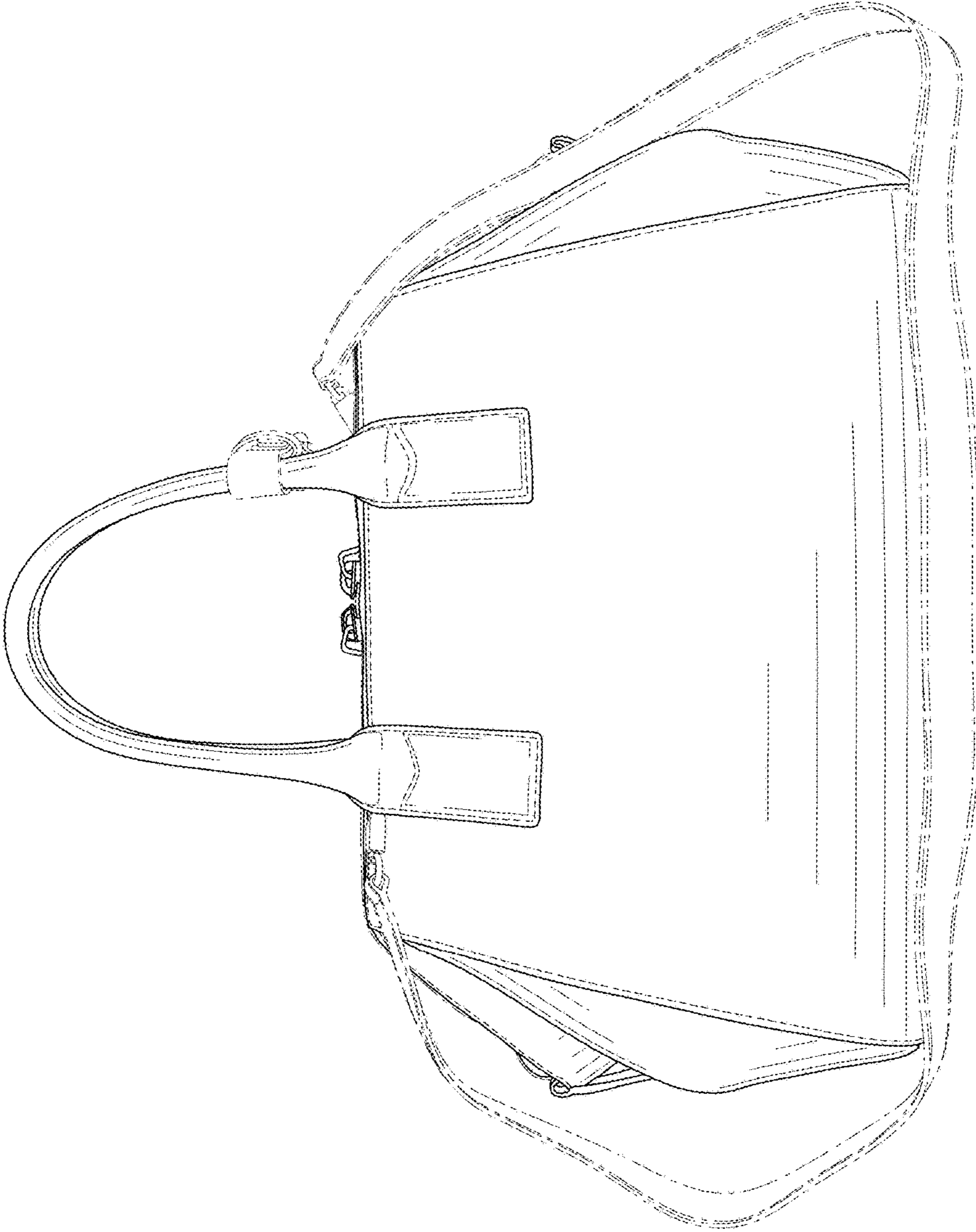


FIG. 3

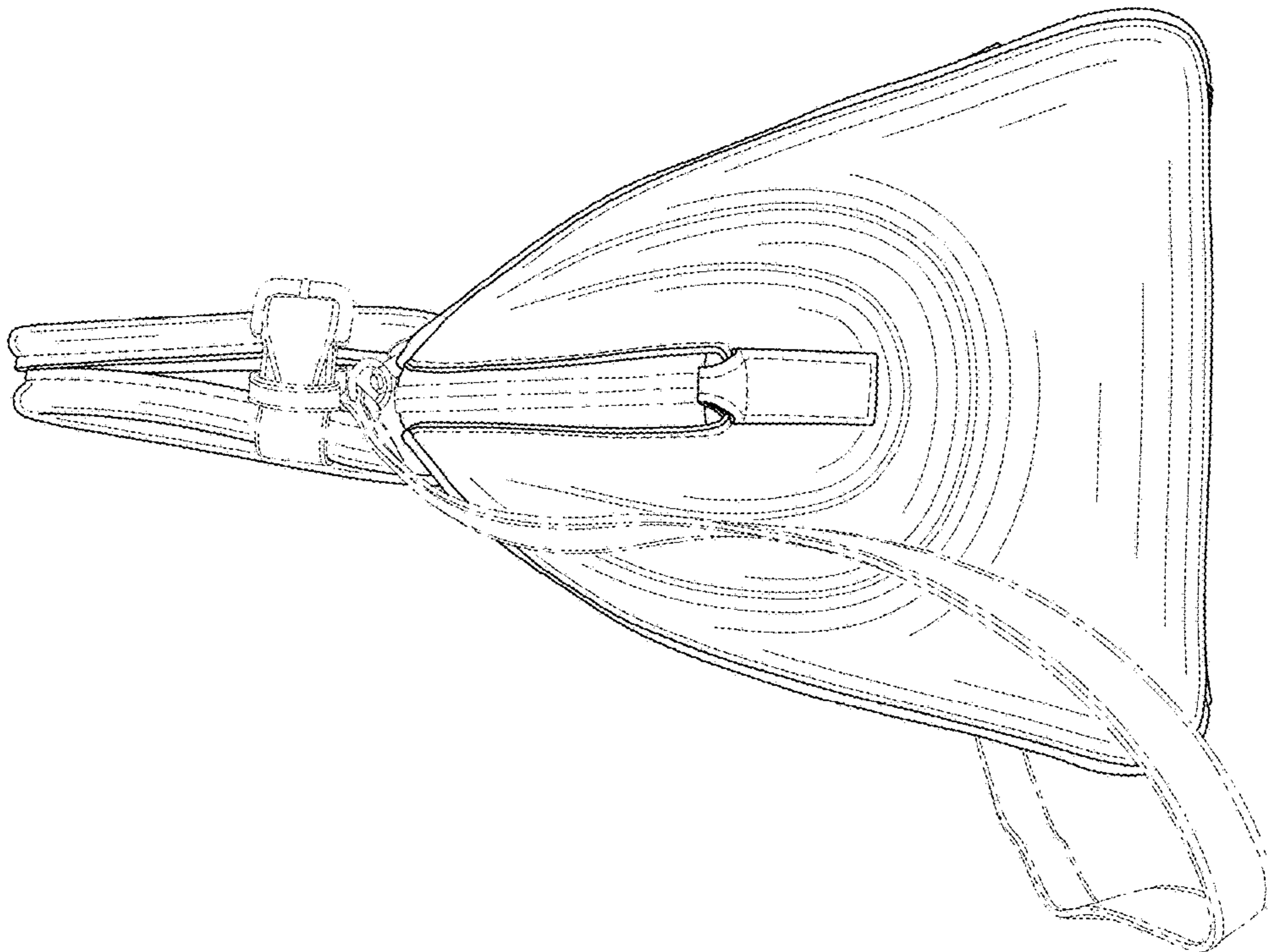


FIG. 4

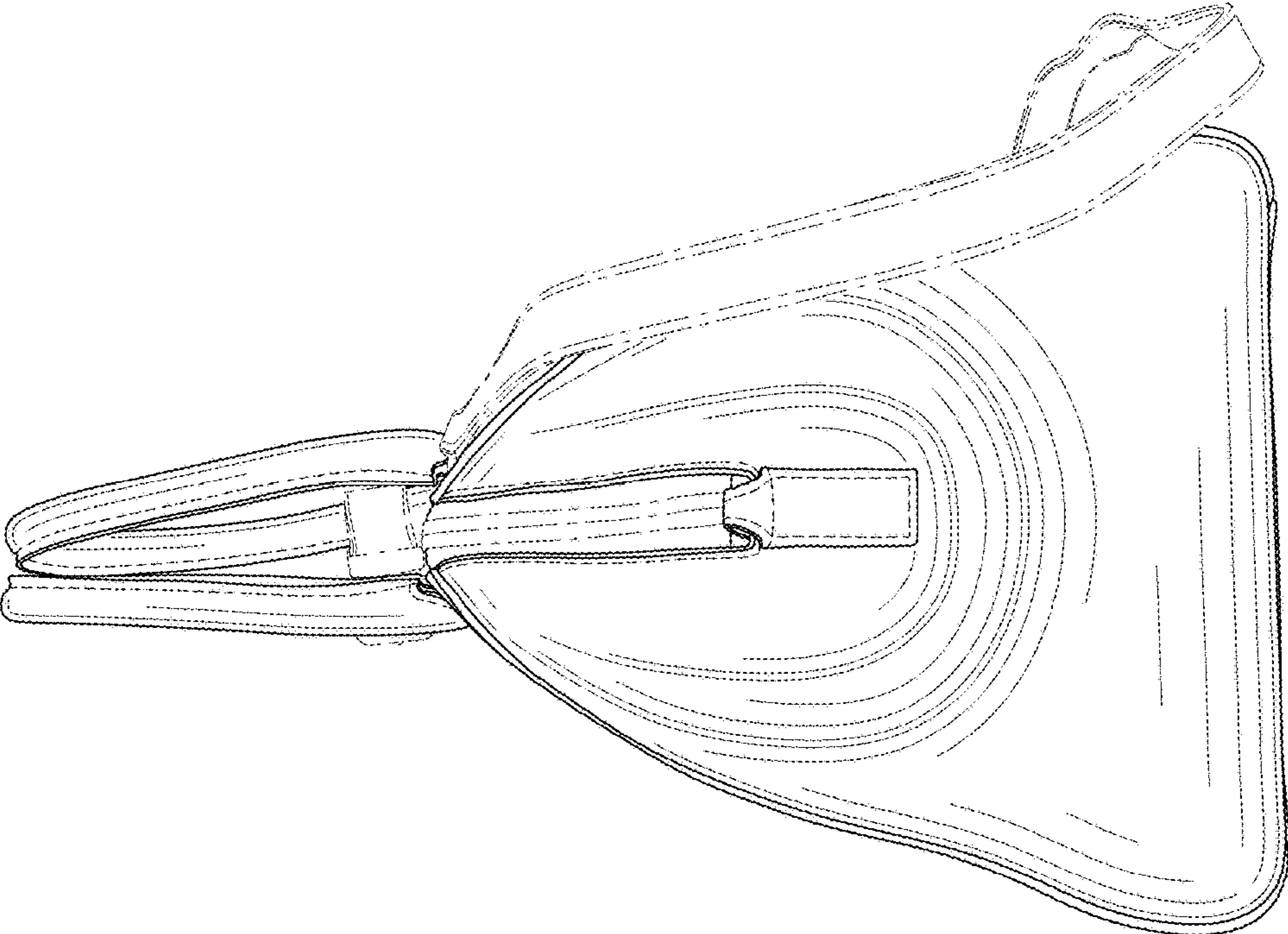


FIG. 5

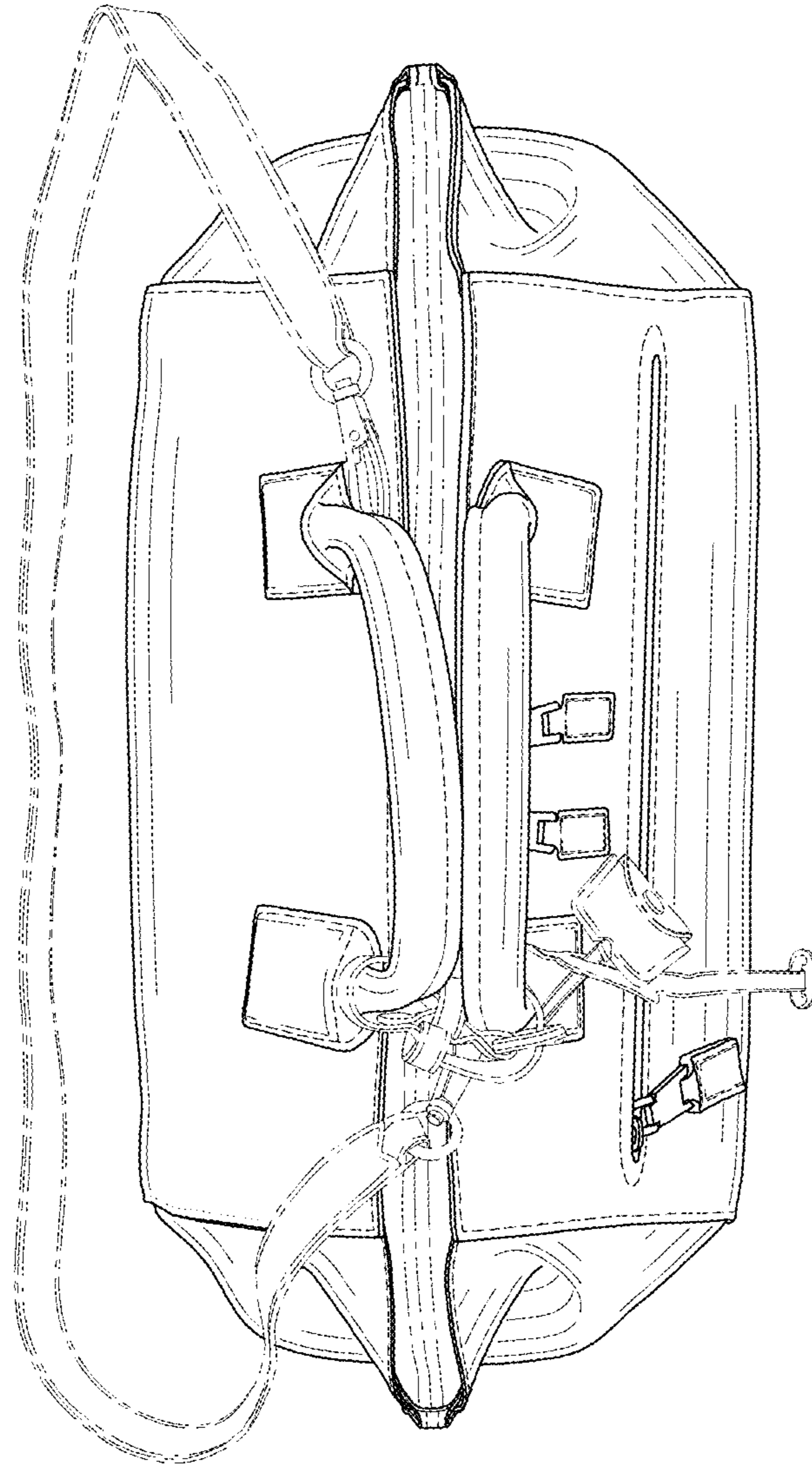


FIG. 6

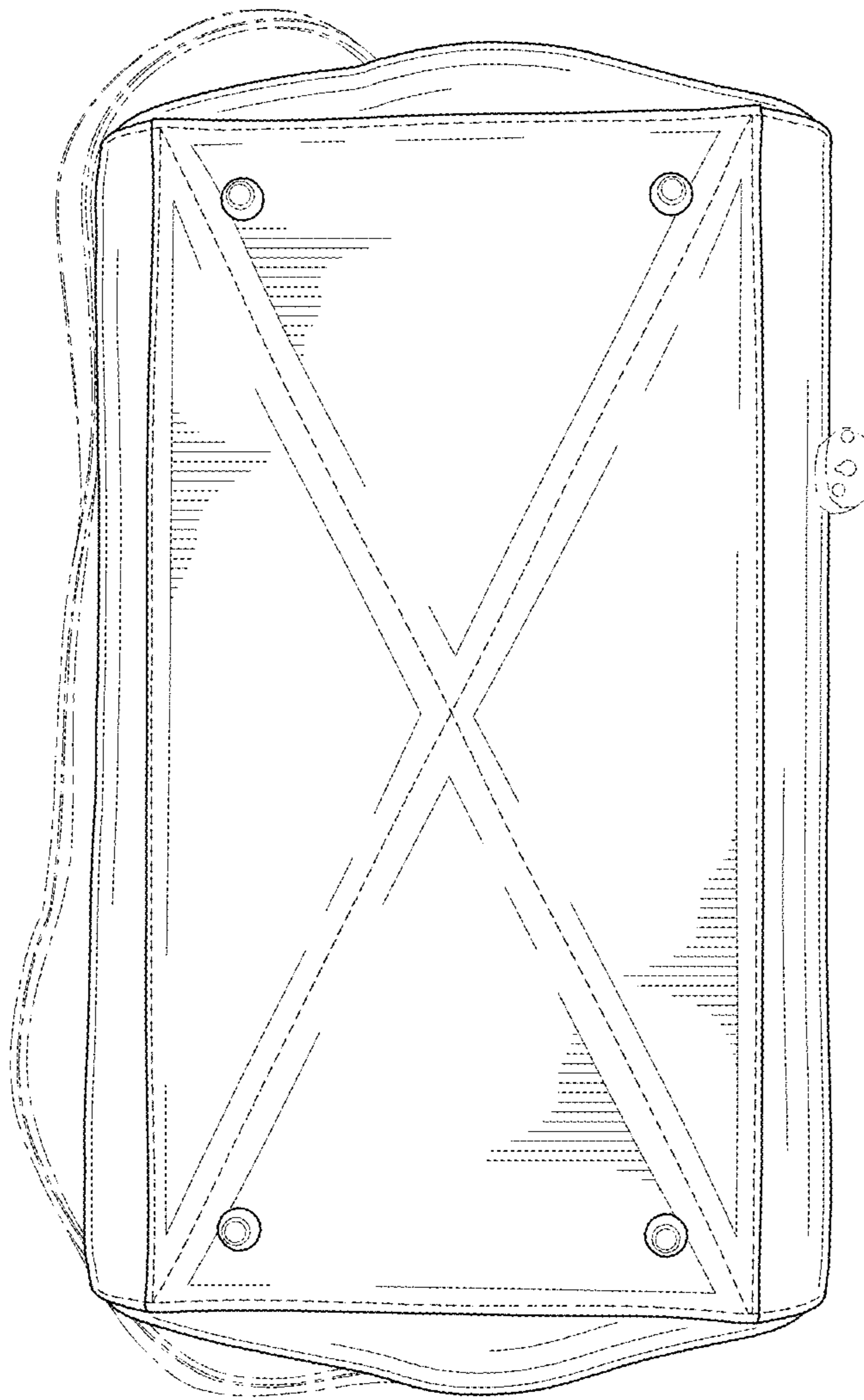


FIG. 7