



US00D775820S

(12) **United States Design Patent** (10) **Patent No.:** **US D775,820 S**
Sassi (45) **Date of Patent:** **** Jan. 10, 2017**

(54) **BAG**
(71) Applicant: **VALENTINO S.P.A.**, Milan (IT)
(72) Inventor: **Stefano Sassi**, Milan (IT)
(**) Term: **15 Years**
(21) Appl. No.: **35/500,154**
(22) Filed: **Sep. 4, 2015**

(80) **Hague Agreement Data**

Int. Filing Date: **Sep. 4, 2015**
Int. Reg. No.: **DM/087487**
Int. Reg. Date: **Sep. 4, 2015**
Int. Reg. Pub. Date: **Sep. 25, 2015**

(51) **LOC (10) Cl.** **03-01**
(52) **U.S. Cl.**
CPC **A45C 1/024** (2013.01)
USPC **D3/232**
(58) **Field of Classification Search**
USPC **D3/232-233, 240-246**
CPC **A45C 1/024; A45C 3/08**
See application file for complete search history.

(56) **References Cited**

U.S. PATENT DOCUMENTS

2,175,327 A * 10/1939 Thornhill A45C 3/06
150/105
D525,784 S * 8/2006 Handley D3/243
D576,793 S * 9/2008 Norsa D3/234
D578,754 S * 10/2008 Sassi D3/232
D581,157 S * 11/2008 Sassi D3/232
D581,659 S * 12/2008 Sassi D3/232
D619,357 S * 7/2010 Sassi D3/232
D655,498 S * 3/2012 Sassi D3/232
D655,502 S * 3/2012 Sassi D3/245

D655,508 S * 3/2012 Sassi D3/318
D661,894 S * 6/2012 Sassi D3/245
D686,415 S * 7/2013 Sassi D3/318
D689,691 S * 9/2013 Kuster D3/243
D695,517 S * 12/2013 Sassi D3/243
D696,018 S * 12/2013 Sassi D3/318
D697,713 S * 1/2014 Sassi D3/246
D698,148 S * 1/2014 Sassi D3/247
D717,039 S * 11/2014 Sassi D3/232
D717,042 S * 11/2014 Sassi D3/243
D717,044 S * 11/2014 Sassi D3/243
D718,047 S * 11/2014 Sassi D3/243
D721,485 S * 1/2015 Sassi D3/243
D721,486 S * 1/2015 Sassi D3/245
D734,025 S * 7/2015 Sassi D3/232
D746,053 S * 12/2015 Sassi D3/232
D747,095 S * 1/2016 Sassi D3/245
D749,841 S * 2/2016 Sassi D3/232
D758,718 S * 6/2016 Sassi D3/232
D761,016 S * 7/2016 Barina D3/243
D761,556 S * 7/2016 Sassi D3/232

* cited by examiner

Primary Examiner — Richard E Chilcot

(57) **CLAIM**

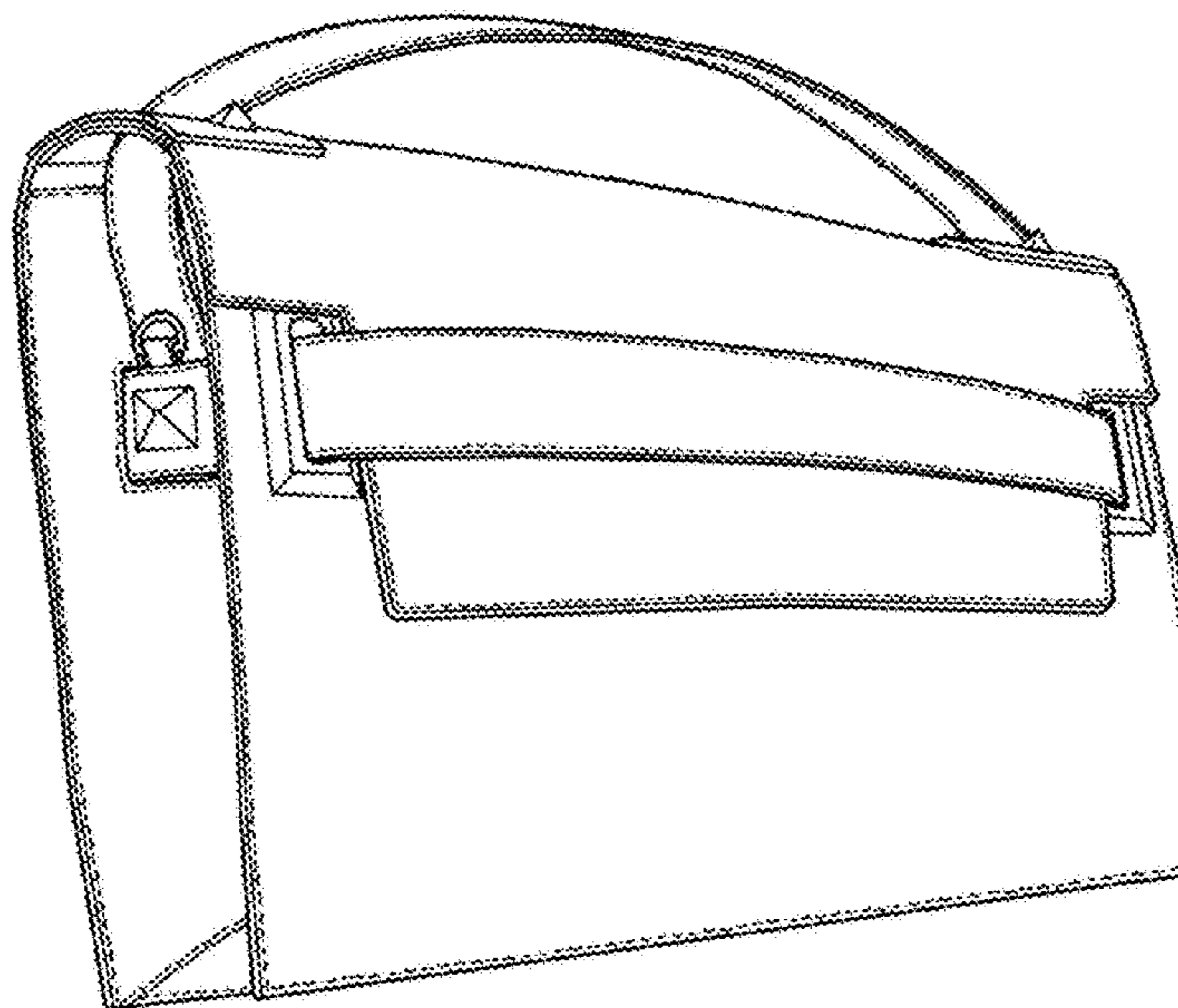
The ornamental design for a bag, as shown and described.

DESCRIPTION

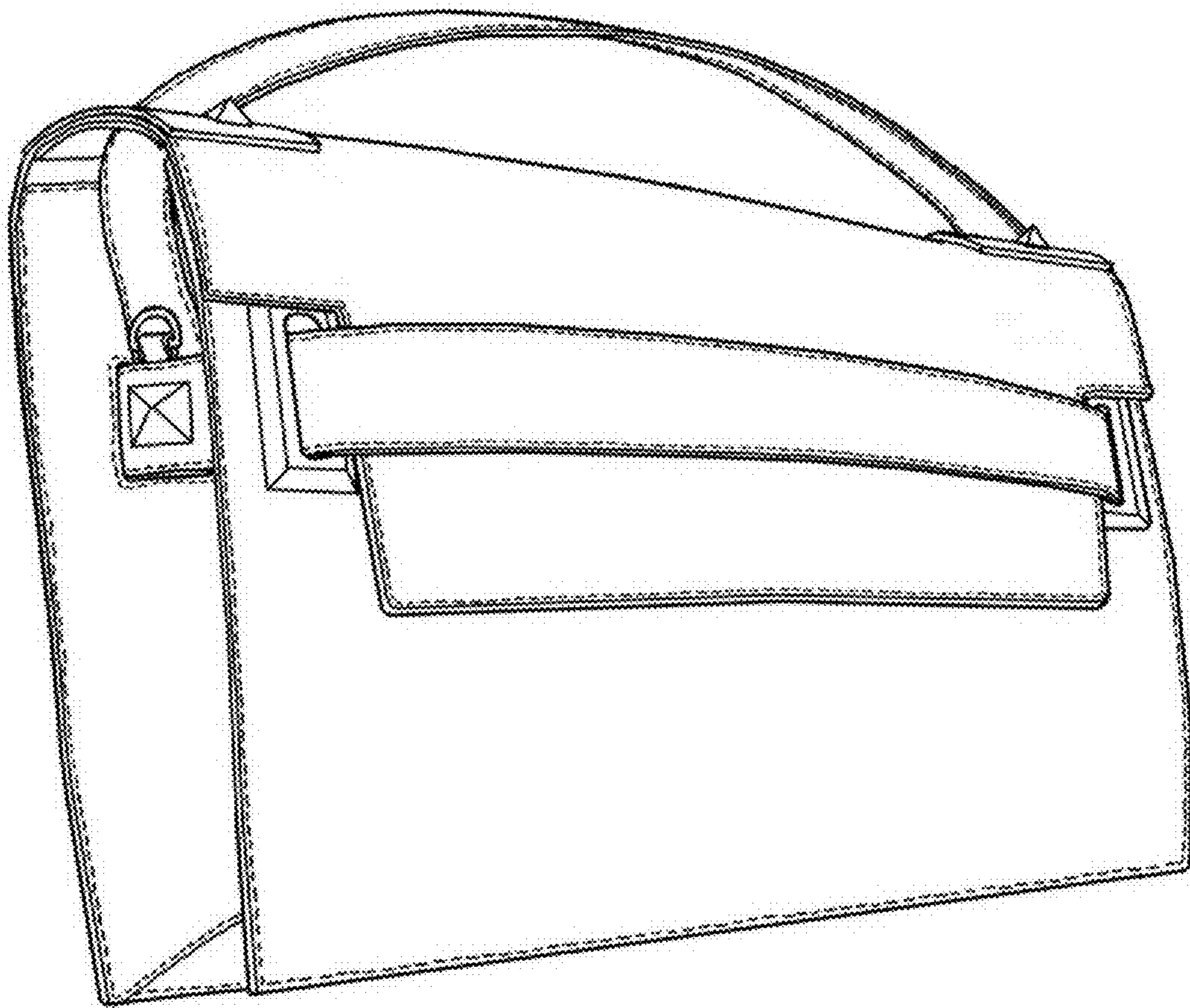
- 1. Bag
- 1.1 : Perspective
- 1.2 : Front
- 1.3 : Back
- 1.4 : Left
- 1.5 : Right
- 1.6 : Top
- 1.7 : Bottom

In the reproductions 1.1-1.7 the dotted lines represent stitching.

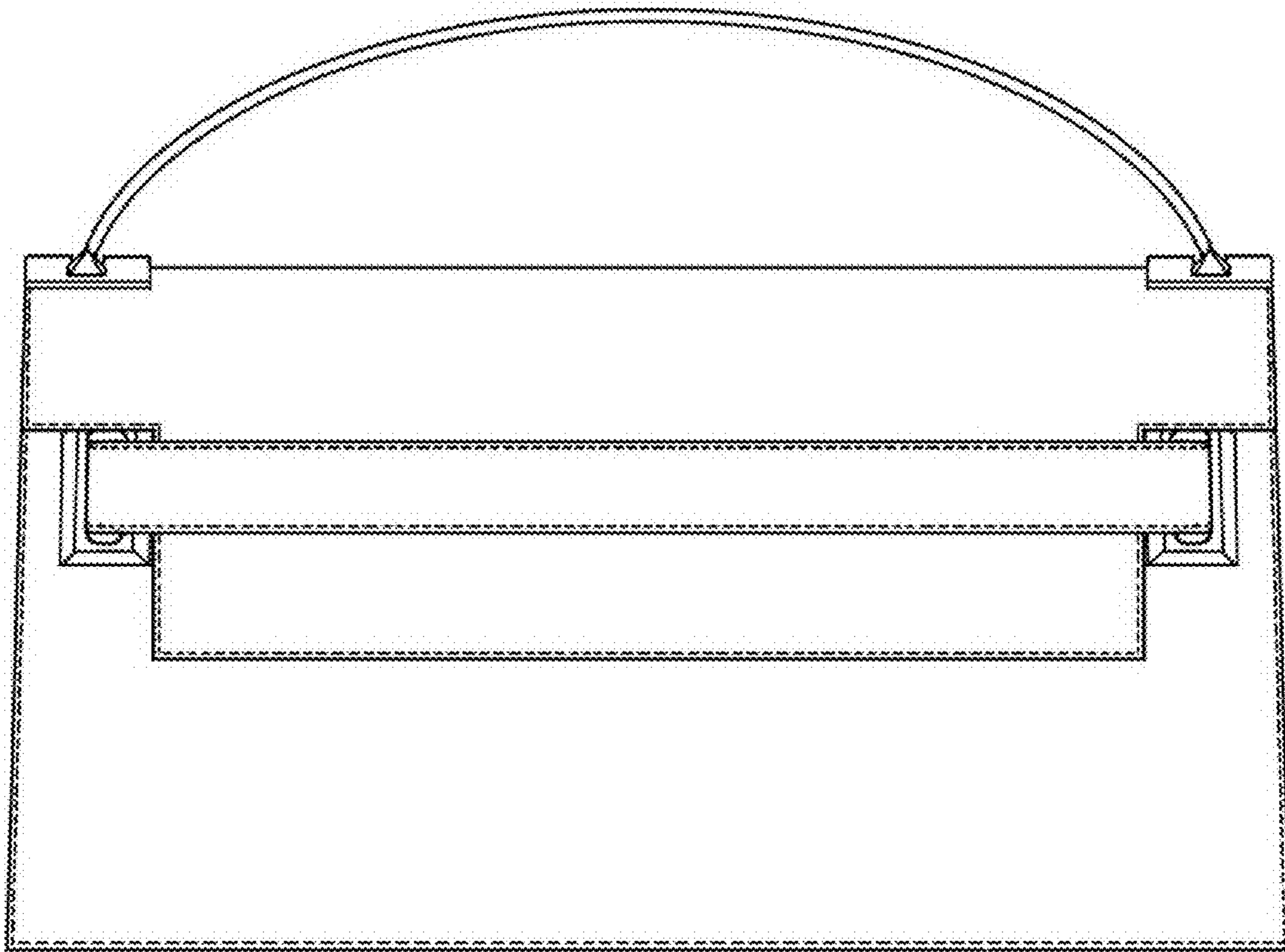
1 Claim, 7 Drawing Sheets



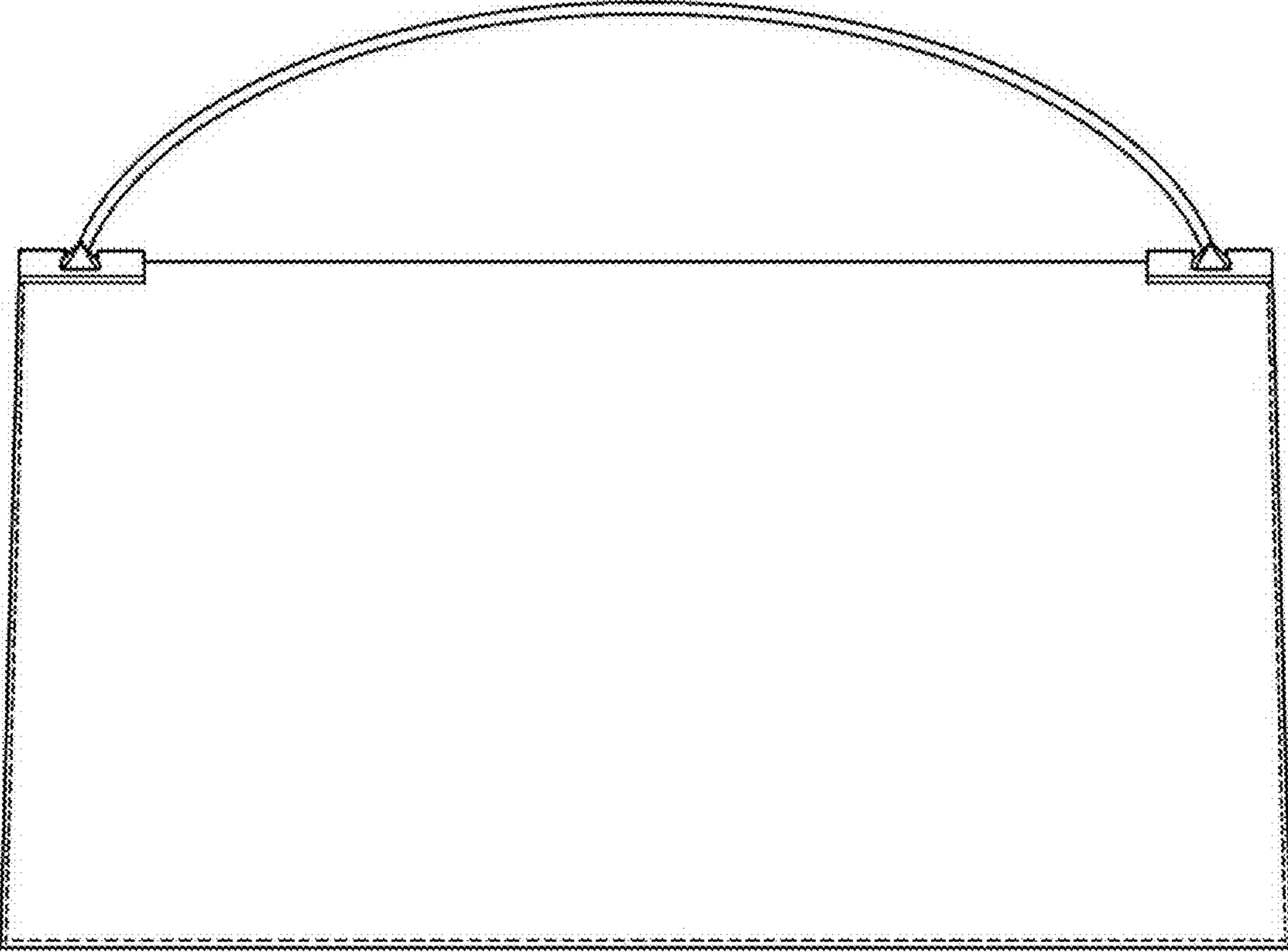
1.1



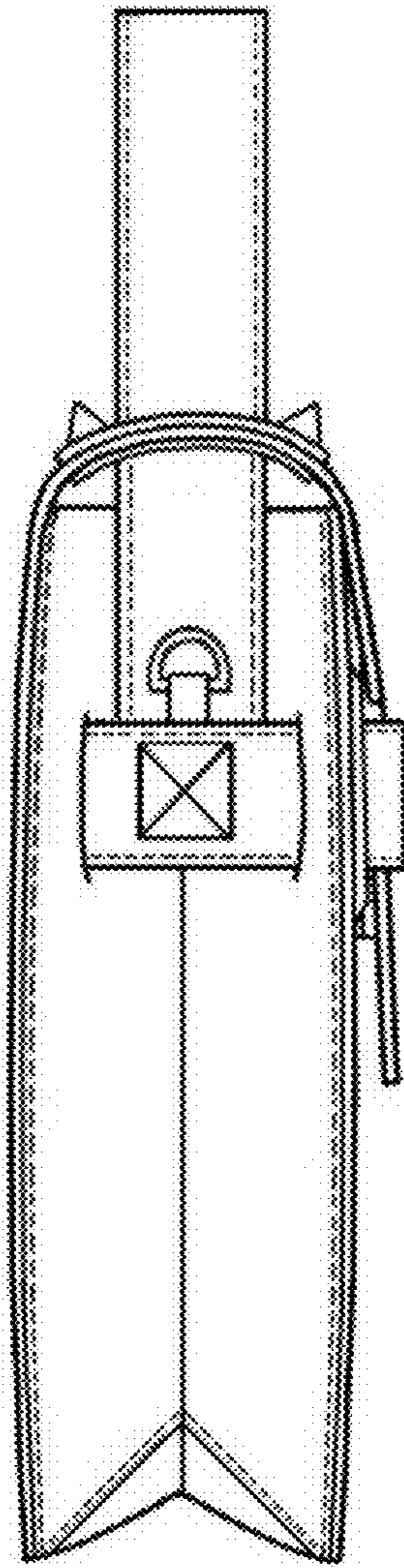
1.2



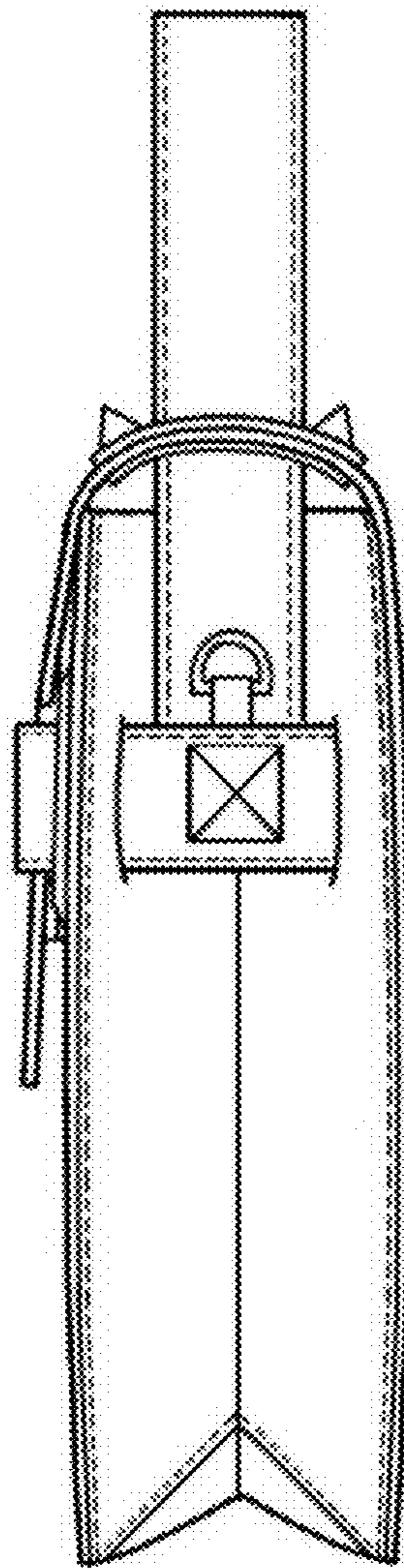
1.3



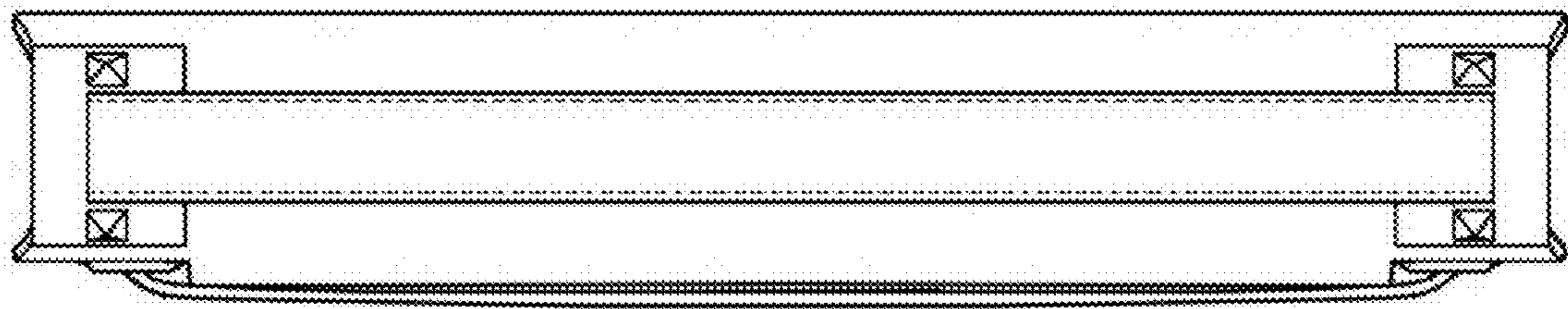
1.4



1.5



1.6



1.7

