

US00D775818S

(12) **United States Design Patent**
Ingraham

(10) **Patent No.:** **US D775,818 S**

(45) **Date of Patent:** **** Jan. 10, 2017**

(54) **WEARABLE HEADPHONE STORAGE CASE**

(71) Applicant: **Lorie Ingraham**, Orlando, FL (US)

(72) Inventor: **Lorie Ingraham**, Orlando, FL (US)

(**) Term: **15 Years**

(21) Appl. No.: **29/540,130**

(22) Filed: **Sep. 21, 2015**

(51) **LOC (10) Cl.** **03-01**

(52) **U.S. Cl.**

USPC **D3/218; D3/294**

(58) **Field of Classification Search**

USPC D3/218, 215, 201, 219, 274, 294–295;
206/5, 5.1, 38, 523, 702; 150/116;
D14/204–205, 240; 381/182, 370, 381,
381/384, 388; 455/575.1, 575.2, 575.6,
455/569.1, 550.1

CPC A45C 11/005; B65D 25/10; B65D 43/16;
B65D 2313/04; B65D 2585/6835; H04F
1/10; H04F 1/105; H04F 1/1033; H04F
1/1058

See application file for complete search history.

(56) **References Cited**

U.S. PATENT DOCUMENTS

4,942,617 A * 7/1990 Boylan H04M 1/05
381/182
5,887,720 A * 3/1999 Lin H04R 1/10
206/38

D517,311 S * 3/2006 Kim D3/218
D529,288 S * 10/2006 Ham D3/274
D604,501 S * 11/2009 Lee D3/201
D620,256 S * 7/2010 Fujimura D3/294
D705,532 S * 5/2014 Kolton D3/201
8,811,646 B1 * 8/2014 Romeo H04R 1/1033
381/370
D731,793 S * 6/2015 Houghton D3/294

* cited by examiner

Primary Examiner — Catheri Oliver-Garcia

(74) *Attorney, Agent, or Firm* — Jason T. Daniel; Daniel Law Offices, P.A.

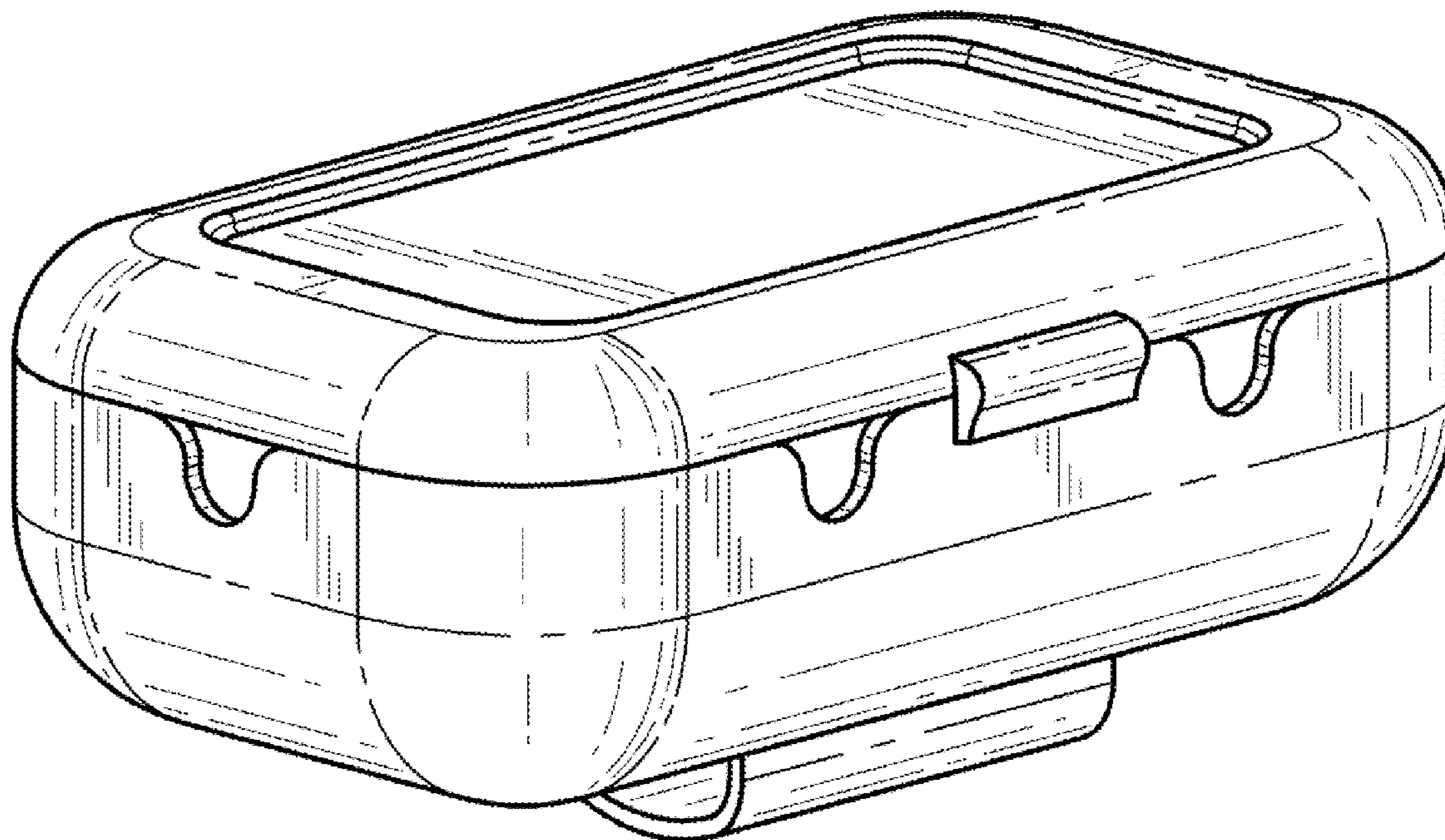
(57) **CLAIM**

The ornamental design for a wearable headphone storage case, as shown and described.

DESCRIPTION

FIG. 1 is a front perspective view of a wearable headphone storage case showing my new design;
FIG. 2 is a front view thereof,
FIG. 3 is a rear view thereof,
FIG. 4 is a left side view thereof,
FIG. 5 is a right side view thereof,
FIG. 6 is a top view thereof; and,
FIG. 7 is a bottom view thereof.

1 Claim, 2 Drawing Sheets



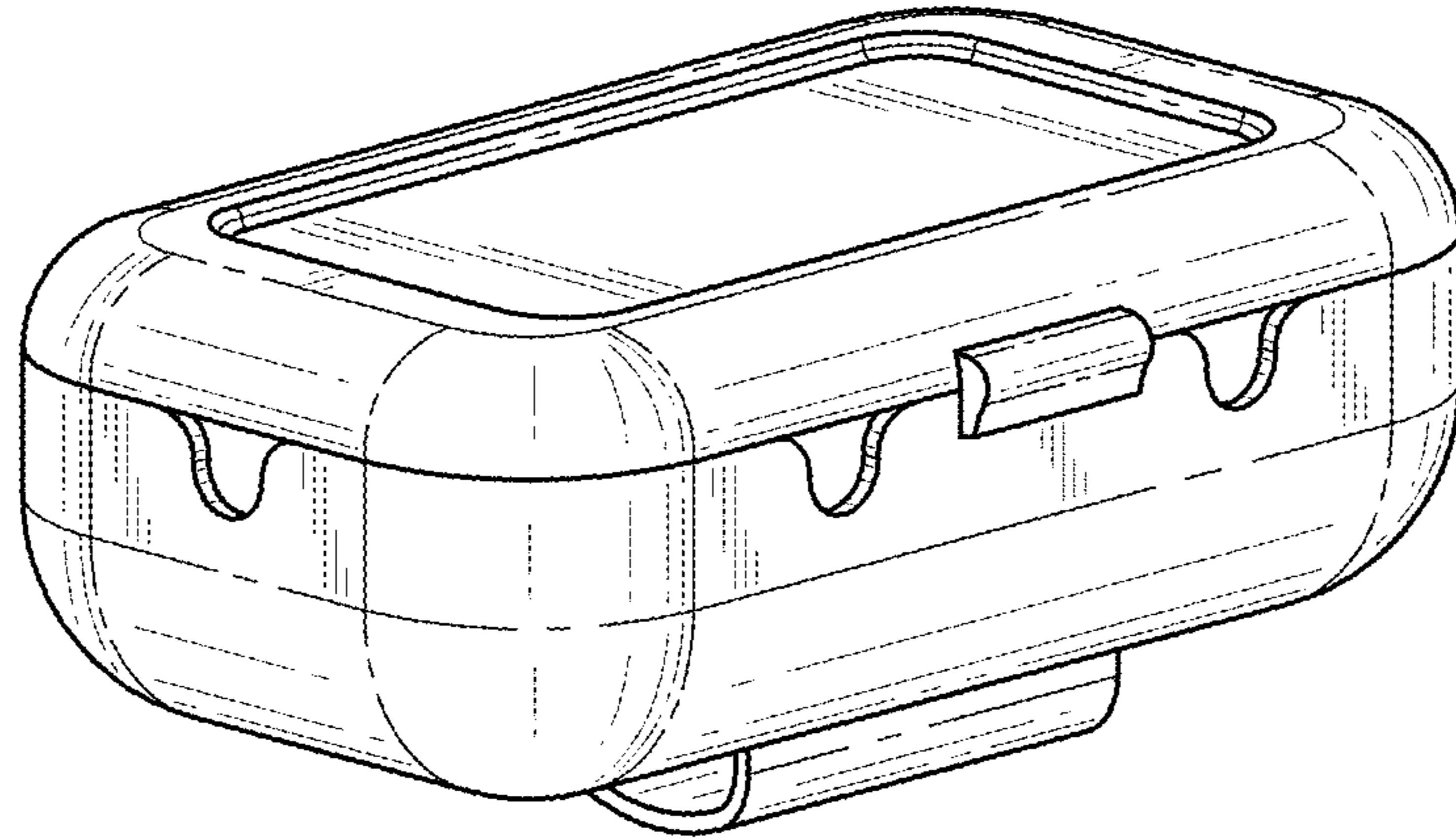


FIG. 1

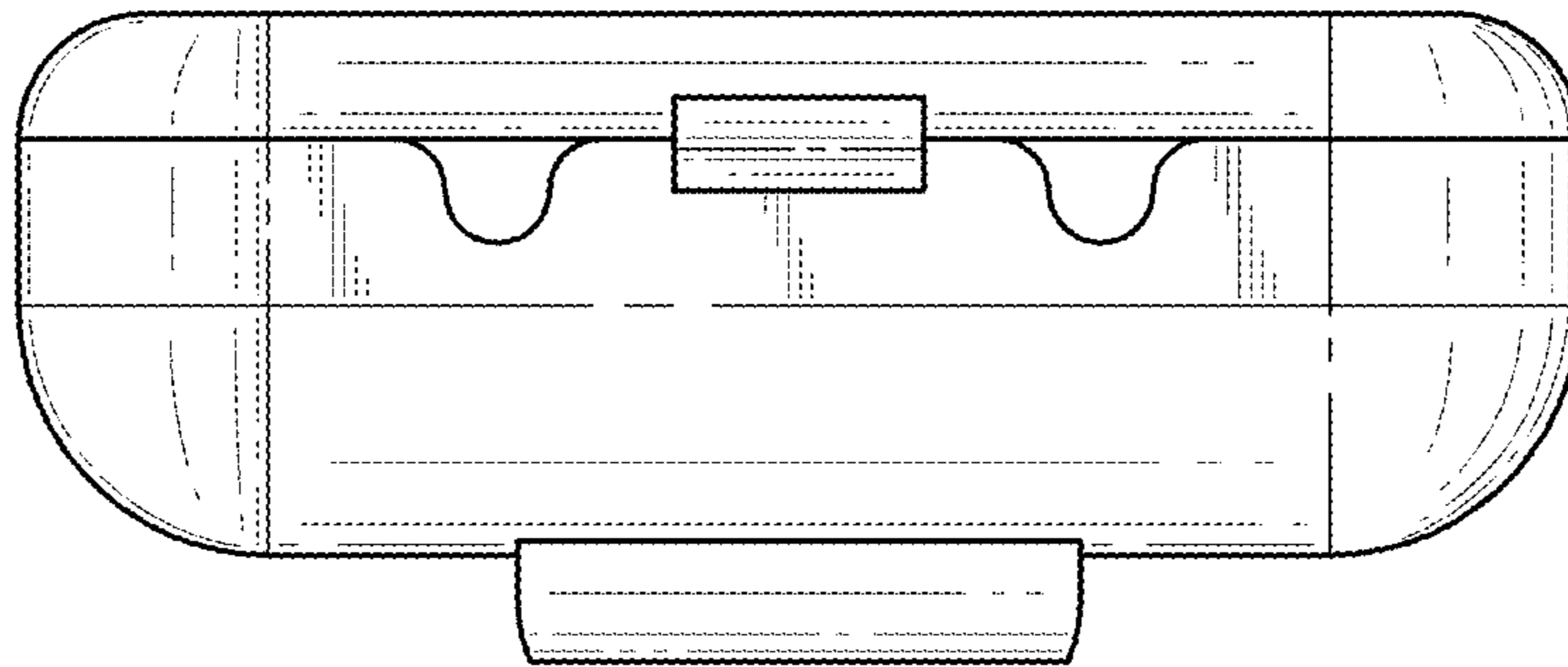


FIG. 2

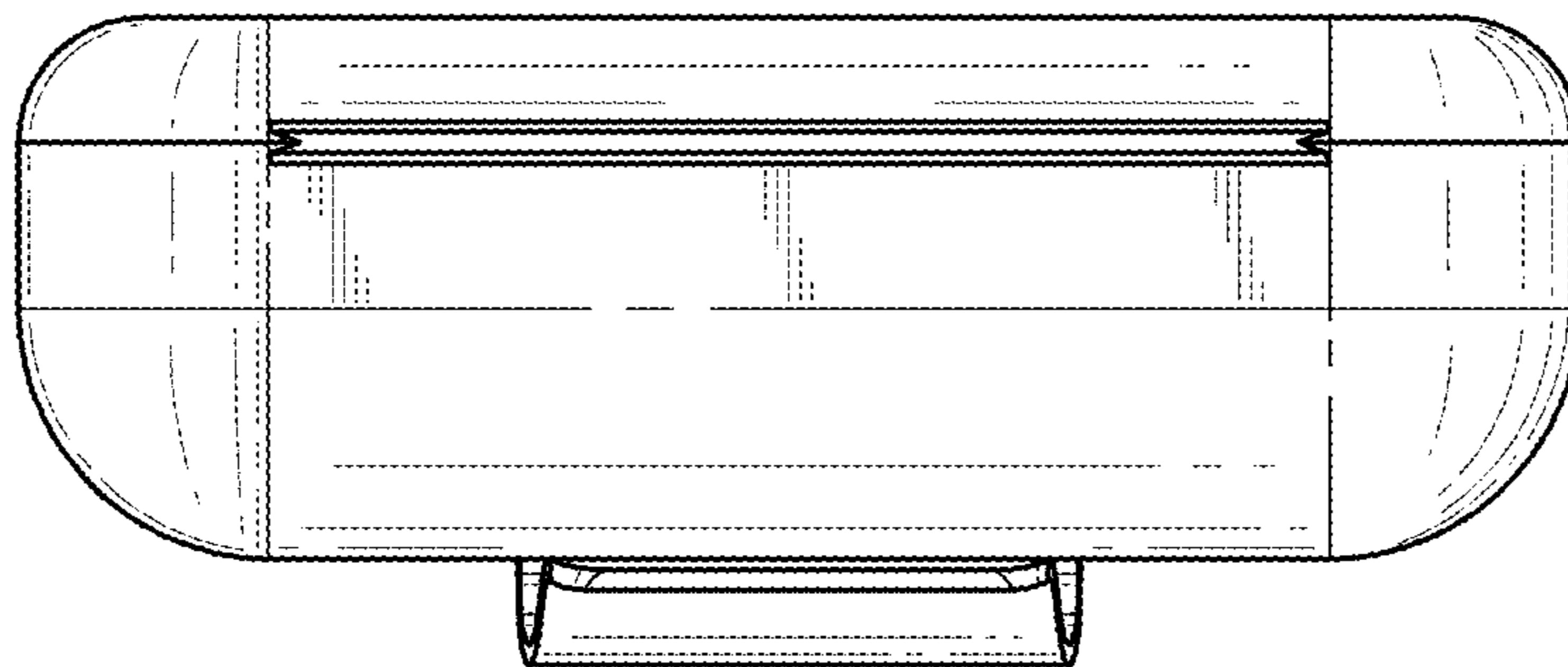


FIG. 3

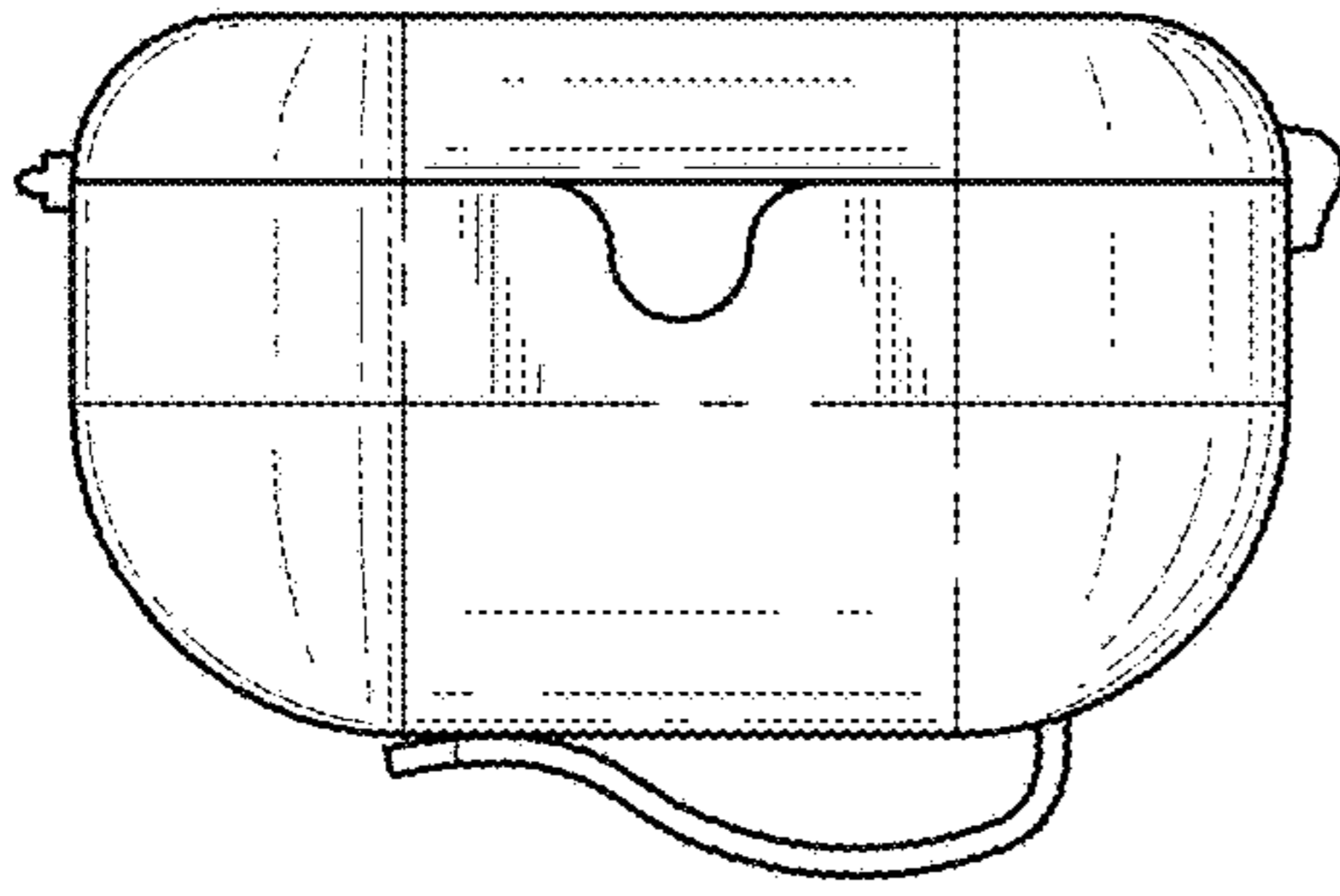


FIG. 4

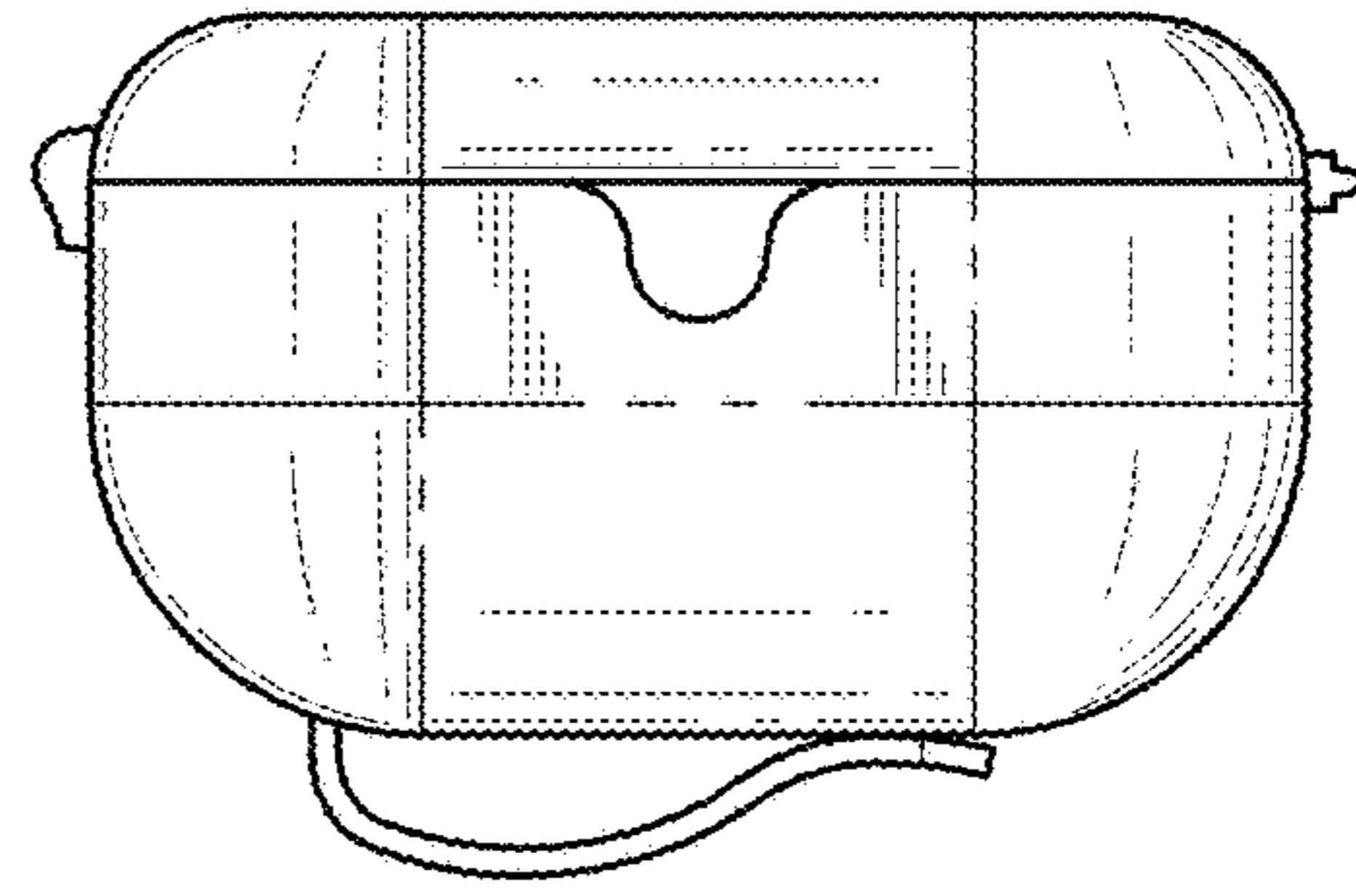


FIG. 5

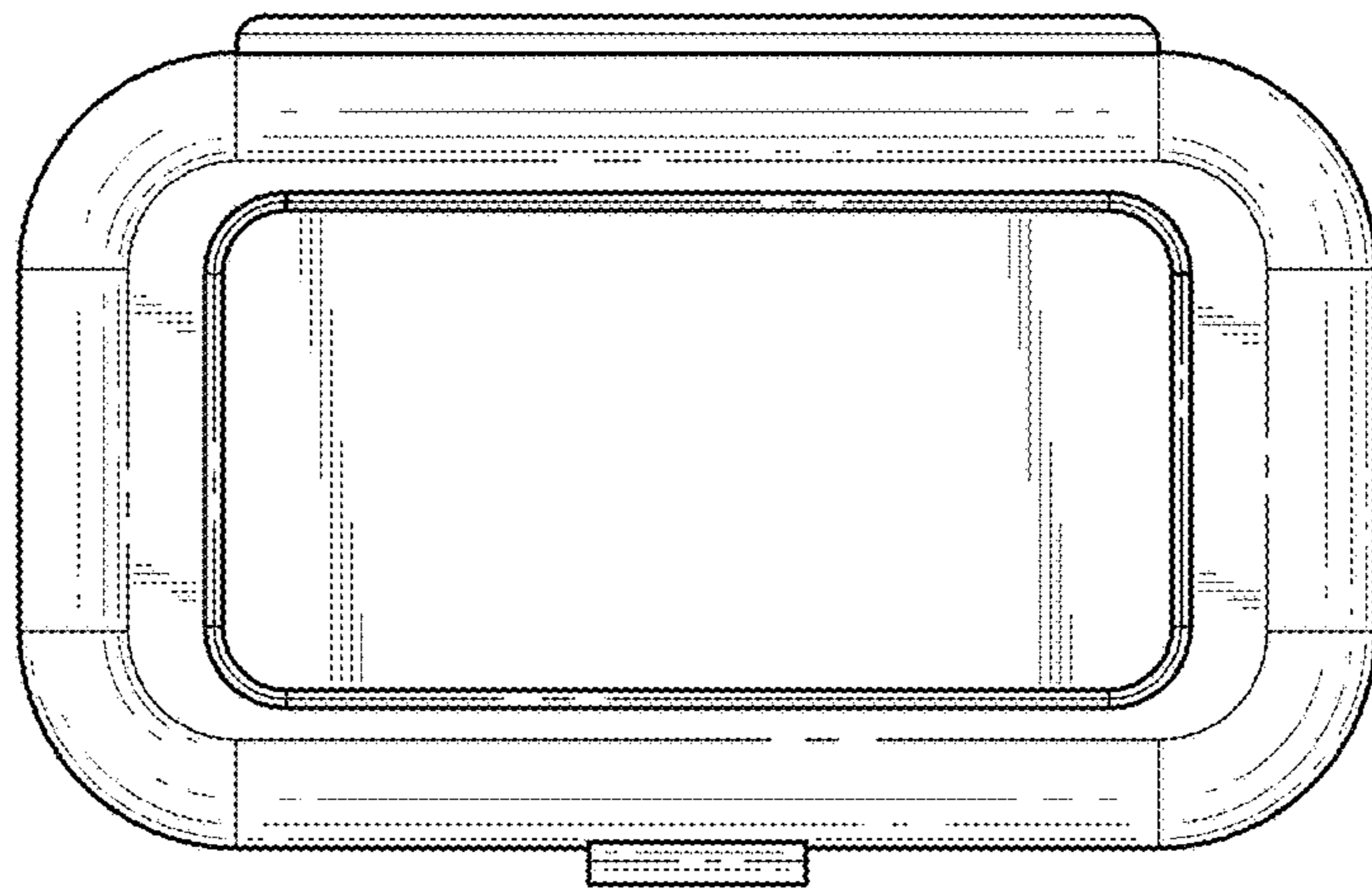


FIG. 6

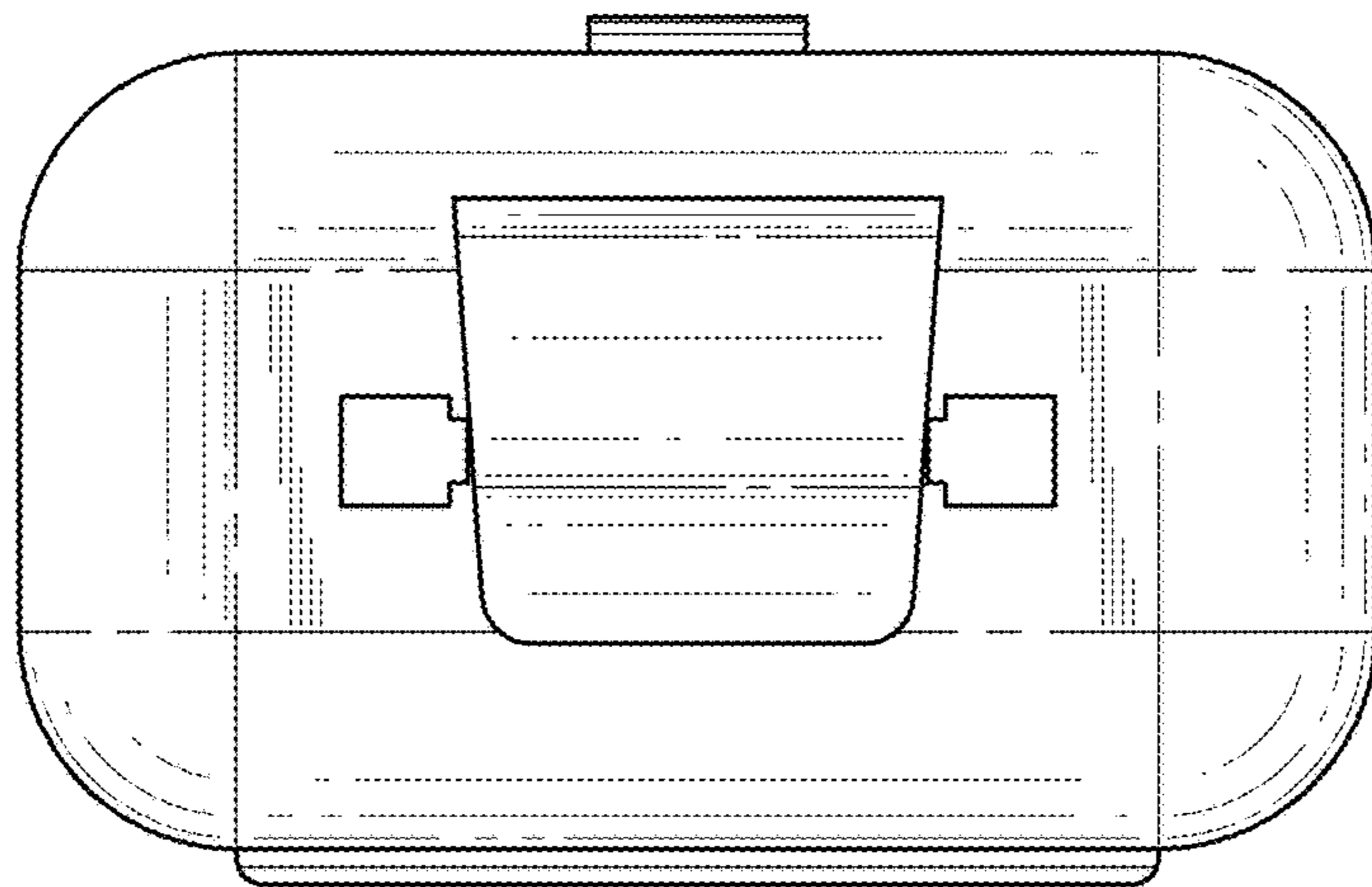


FIG. 7