



US00D775817S

(12) **United States Design Patent**
Ridley

(10) **Patent No.:** **US D775,817 S**

(45) **Date of Patent:** **** *Jan. 10, 2017**

(54) **BACKPACK WITH INTEGRATED SPEAKER ASSEMBLY**

(71) Applicant: **Shannon Ridley**, Palmetto Bay, FL (US)

(72) Inventor: **Shannon Ridley**, Palmetto Bay, FL (US)

(*) Notice: This patent is subject to a terminal disclaimer.

(**) Term: **15 Years**

(21) Appl. No.: **29/549,729**

(22) Filed: **Dec. 28, 2015**

(51) **LOC (10) Cl.** **03-01**

(52) **U.S. Cl.**
USPC **D3/217**

(58) **Field of Classification Search**
USPC D3/216–218, 233
CPC H04R 2201/023; H04R 5/023; H04R 5/02;
H04R 1/2842; A45F 3/04; A45F
4/02; A45F 2003/003; A45C 15/00
See application file for complete search history.

(56) **References Cited**

U.S. PATENT DOCUMENTS

D302,766	S *	8/1989	Johnston	D14/168
5,147,986	A	9/1992	Cockrum		
5,409,152	A *	4/1995	Trevino	A45C 15/00 224/259
D403,853	S *	1/1999	Lothrop	D3/216
D409,376	S *	5/1999	Golenz	D3/216
D460,614	S	7/2002	Reimers et al.		
D469,952	S	2/2003	Daglow et al.		
6,712,249	B2	3/2004	Magnusson et al.		
6,883,693	B2	4/2005	Han		
D517,800	S *	3/2006	de Baschmakoff	D3/216
D522,996	S *	6/2006	Takagi	D14/168
7,292,823	B2	11/2007	Kuo		

7,440,581	B2	10/2008	Wiener		
7,668,571	B2	2/2010	Na et al.		
8,446,126	B2	5/2013	Cheng		
D687,627	S *	8/2013	Schiffman	D3/217
8,879,759	B2	11/2014	Wells		
D748,910	S *	2/2016	Ford	D3/217

(Continued)

Primary Examiner — George D Kirschbaum

Assistant Examiner — Jennifer Watkins

(57) **CLAIM**

The ornamental design for a backpack with integrated speaker assembly, as shown and described.

DESCRIPTION

FIG. 1 is a perspective view of a backpack with integrated speaker assembly.

FIG. 2 is another perspective view of the backpack with integrated speaker assembly.

FIG. 3 is a rear view of the backpack with integrated speaker assembly.

FIG. 4 is a top view of the backpack with integrated speaker assembly.

FIG. 5 is a bottom view of the backpack with integrated speaker assembly.

FIG. 6 is a side view of the backpack with integrated speaker assembly.

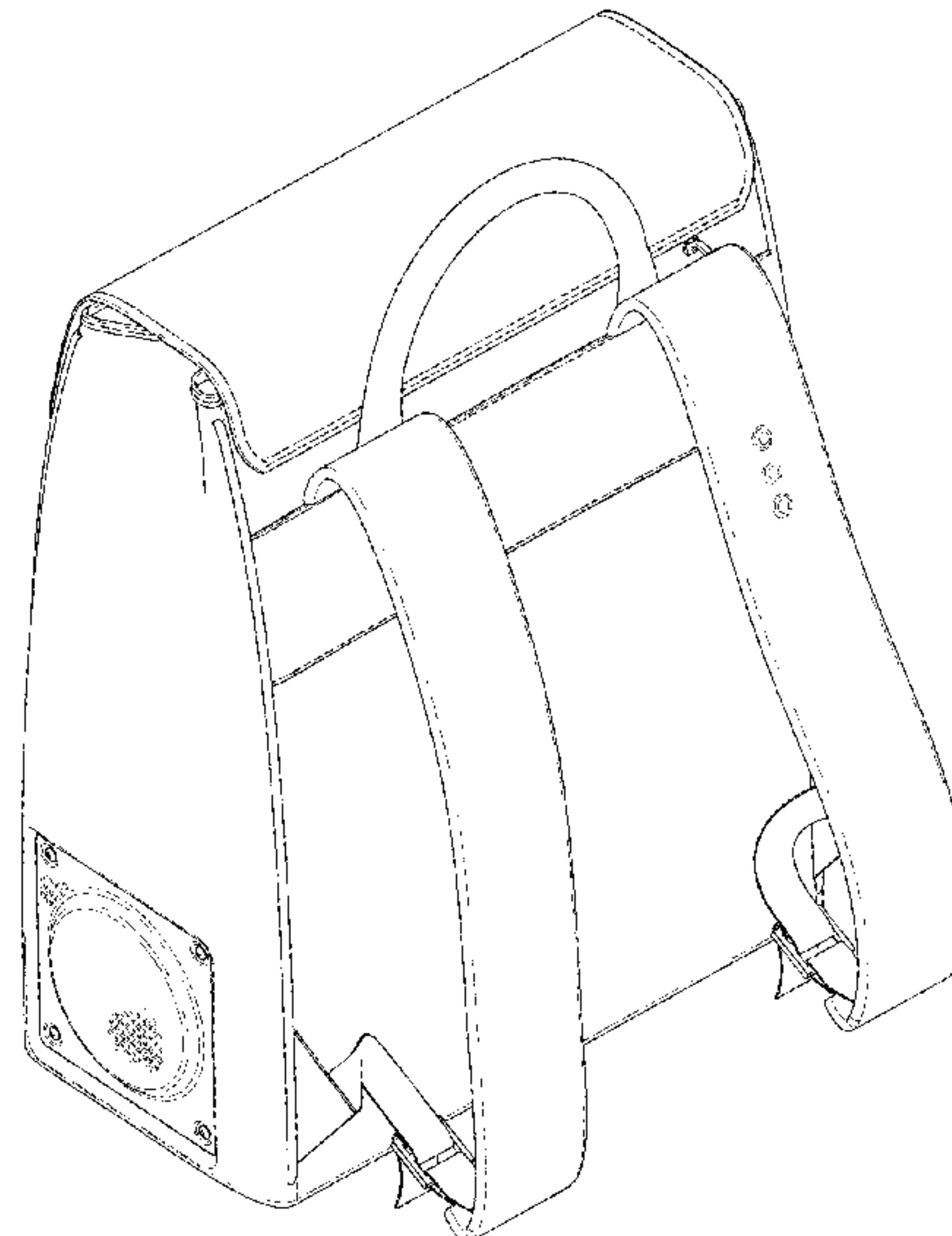
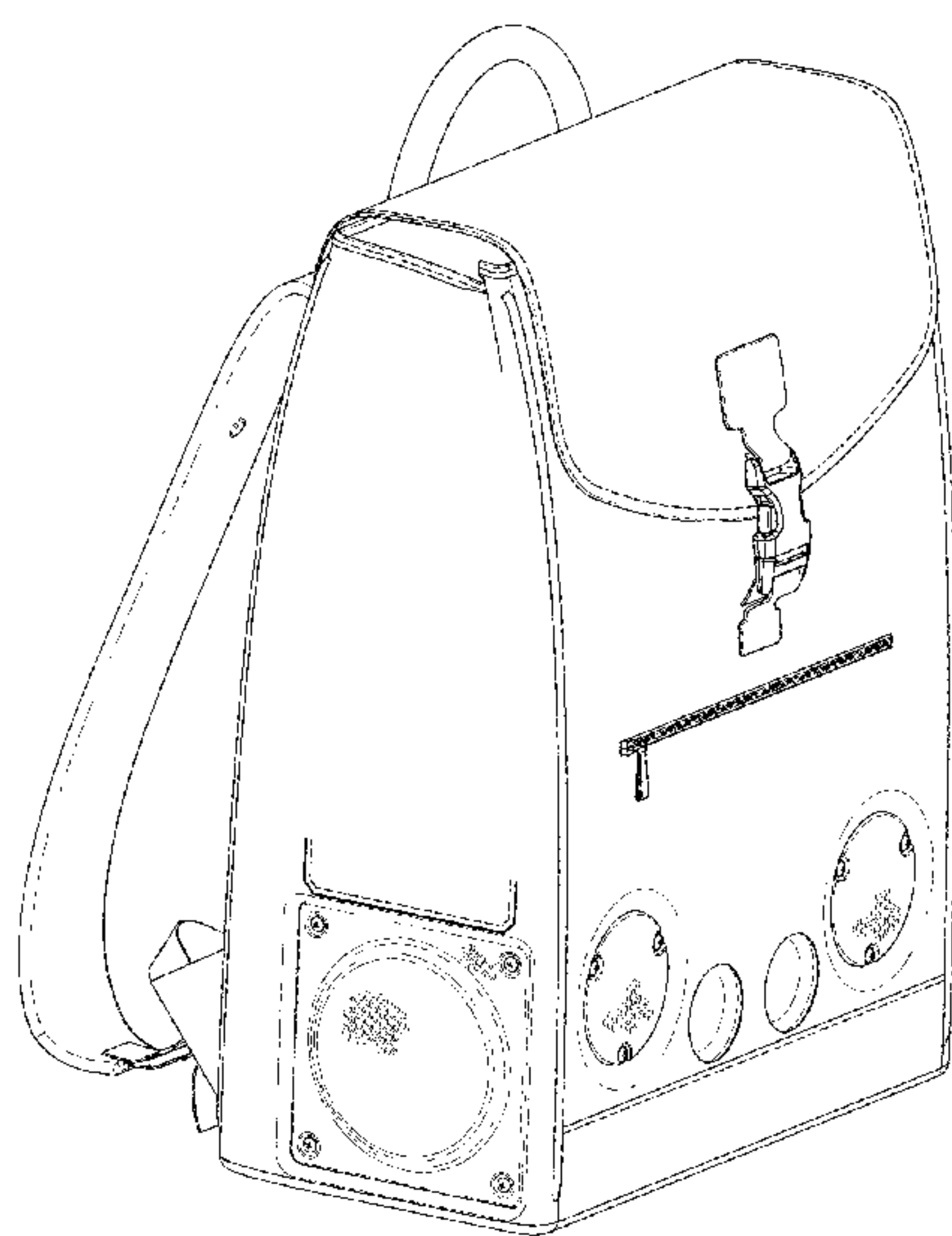
FIG. 7 is a side view of the backpack with integrated speaker assembly.

FIG. 8 is a front view of the backpack with integrated speaker assembly; and,

FIG. 9 is another perspective view of the backpack with integrated speaker assembly.

The broken lines illustrating portions of the speaker surface and buckle are for the purpose of illustrating portions of the article that form no part of the claim. The broken lines along the edges of the backpack are for the purpose of illustrating claimed stitching.

1 Claim, 7 Drawing Sheets



(56)

References Cited

U.S. PATENT DOCUMENTS

2002/0011931 A1* 1/2002 Johnson A45C 13/24
340/571
2002/0176593 A1* 11/2002 Magnusson H04R 5/023
381/301
2005/0230445 A1* 10/2005 Woo A45C 15/00
224/576
2007/0045369 A1 3/2007 Chen
2007/0262104 A1 11/2007 Chen
2008/0011799 A1* 1/2008 Chang A45C 15/00
224/576
2008/0156575 A1 7/2008 Entner
2009/0154737 A1 6/2009 Ostler et al.
2010/0078457 A1 4/2010 Pitchford
2010/0202627 A1 8/2010 Gray
2012/0300962 A1 11/2012 Devoto
2014/0098979 A1 4/2014 Osborn

* cited by examiner

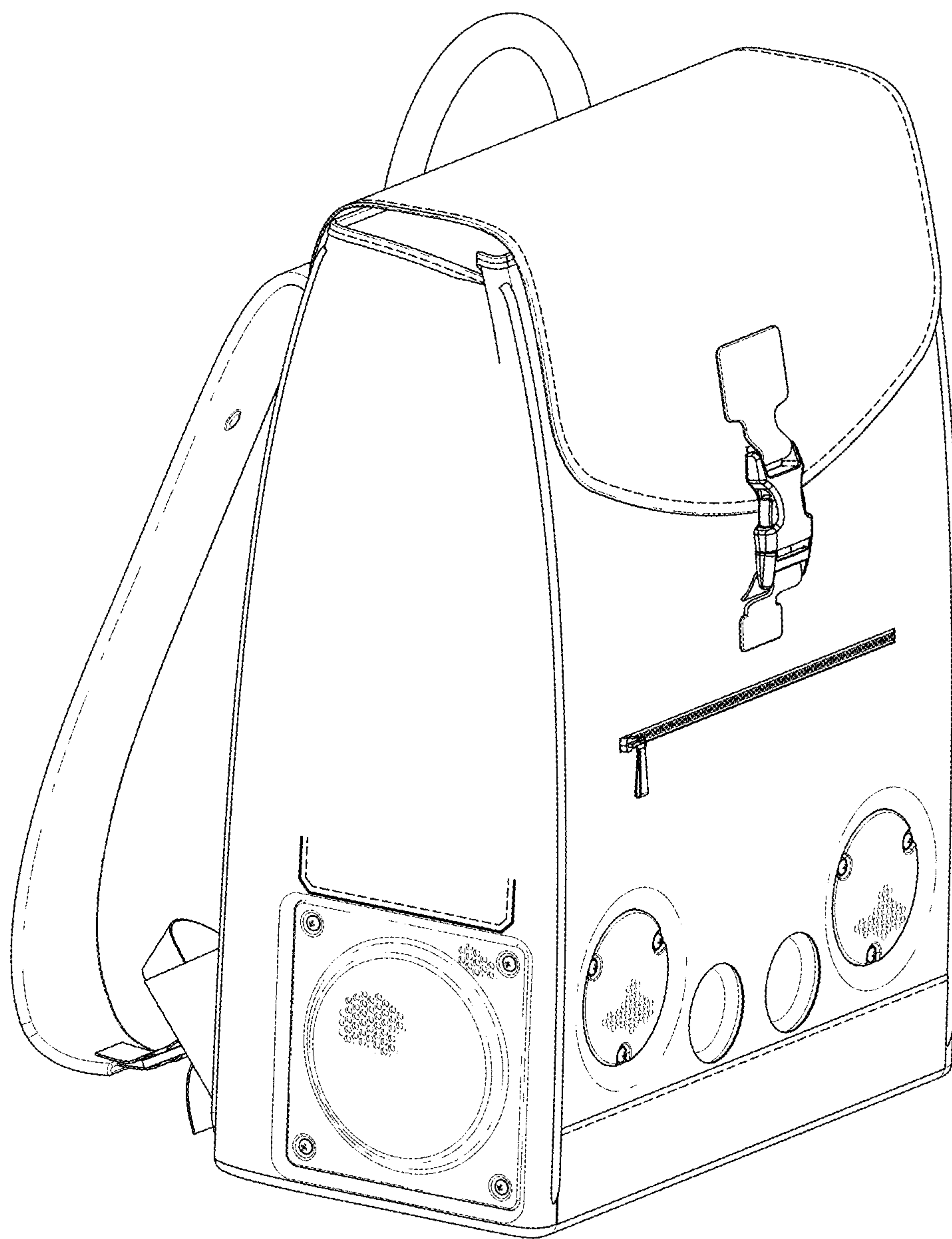


Fig. 1

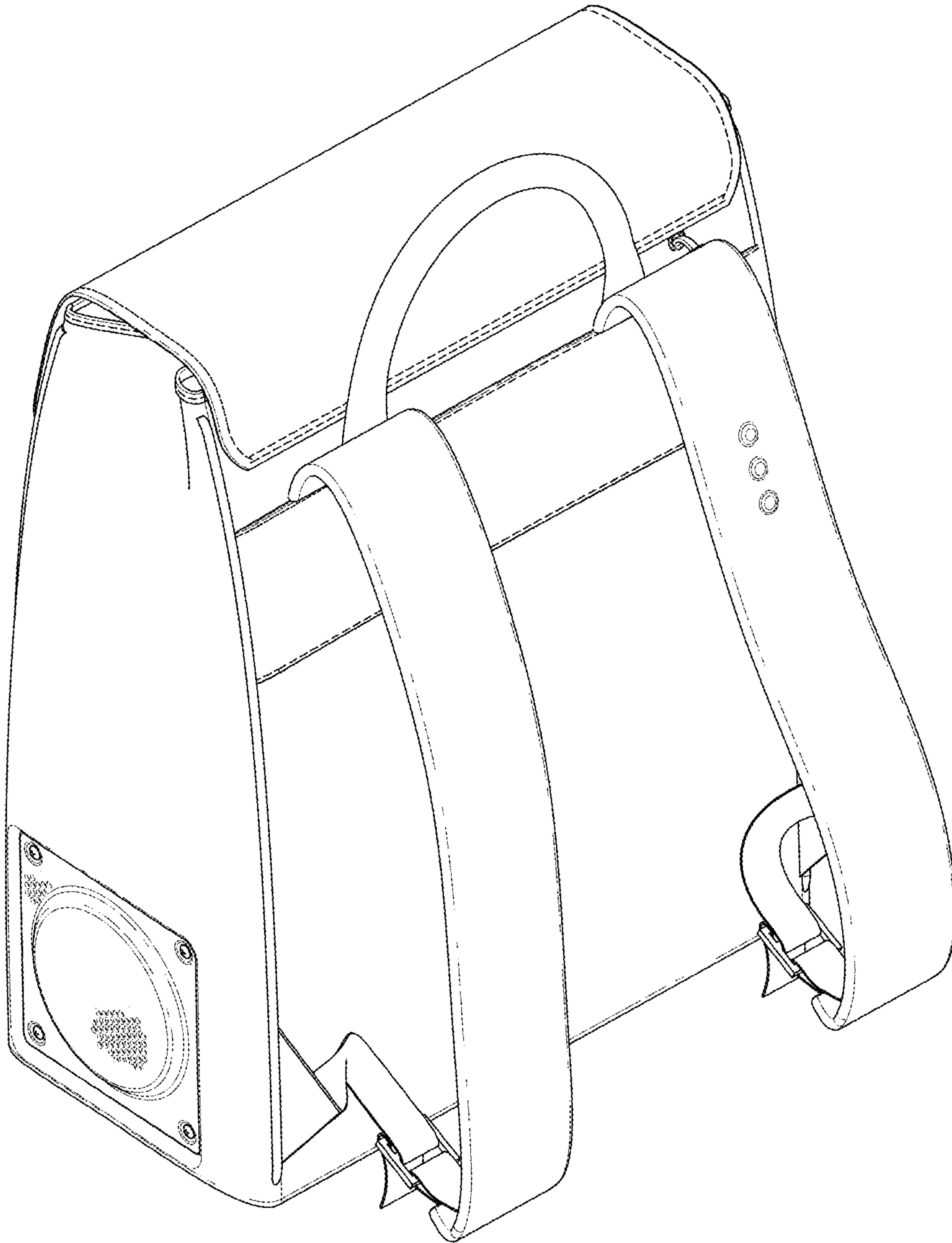


Fig. 2

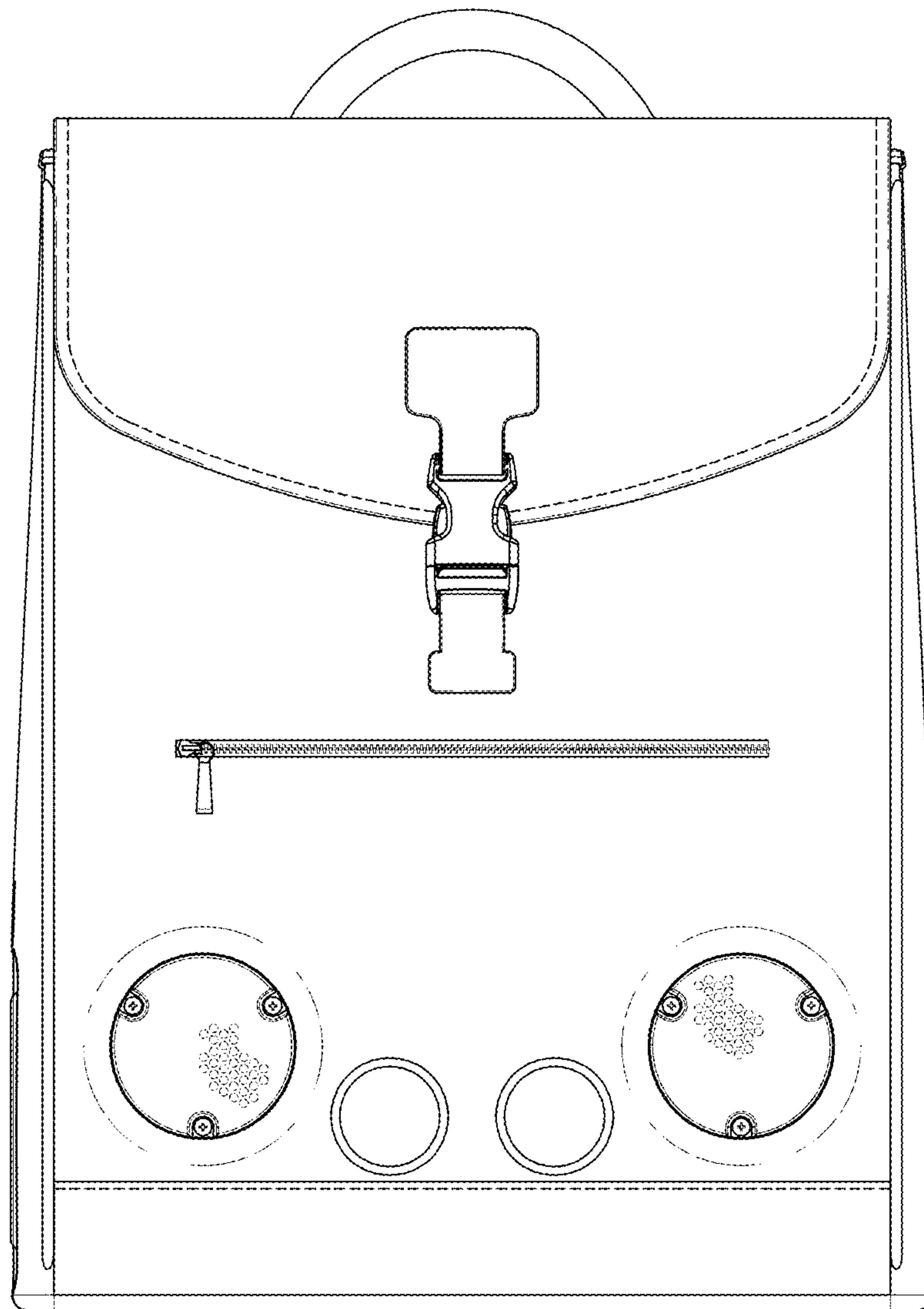


Fig. 3

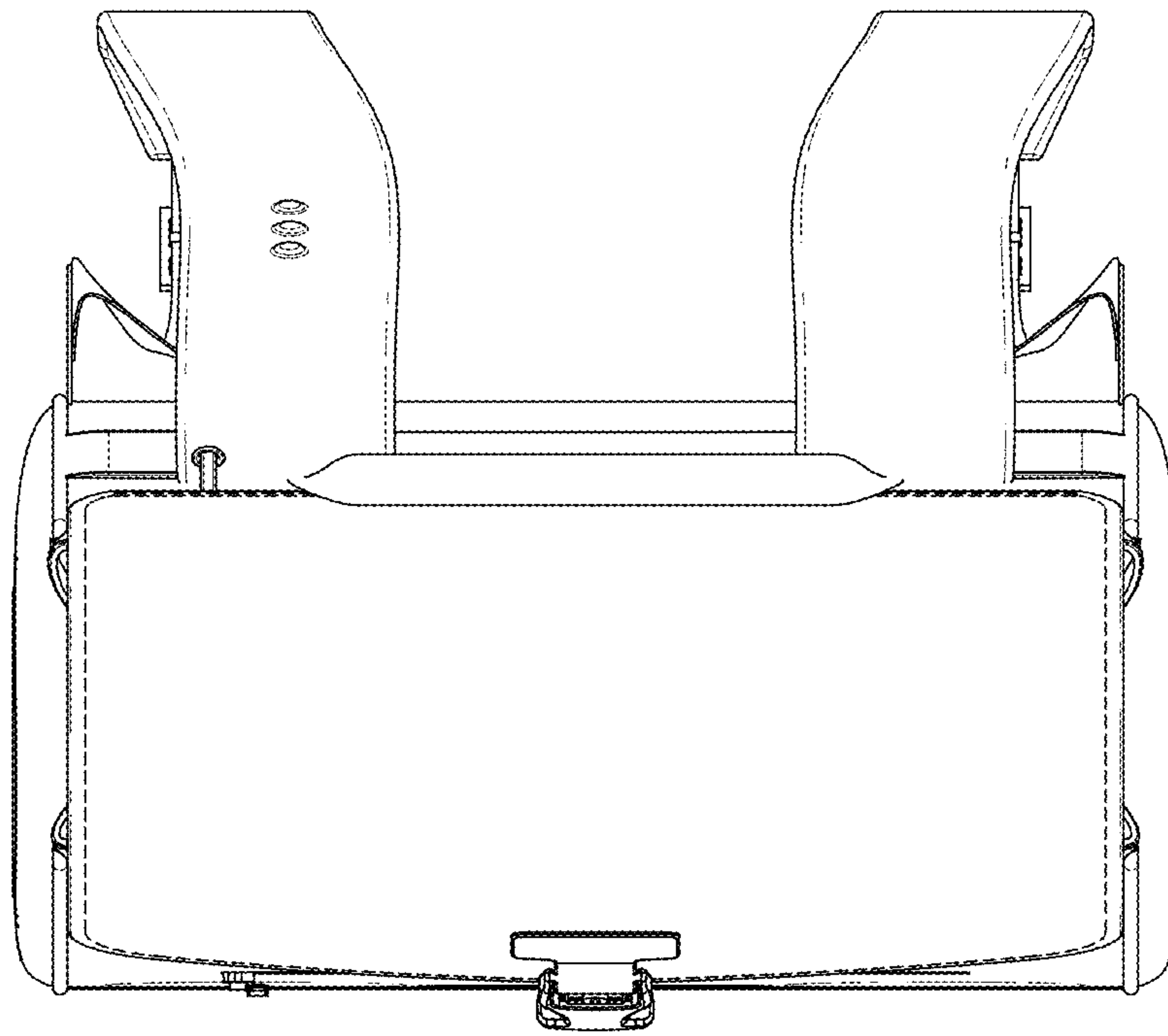


Fig. 4

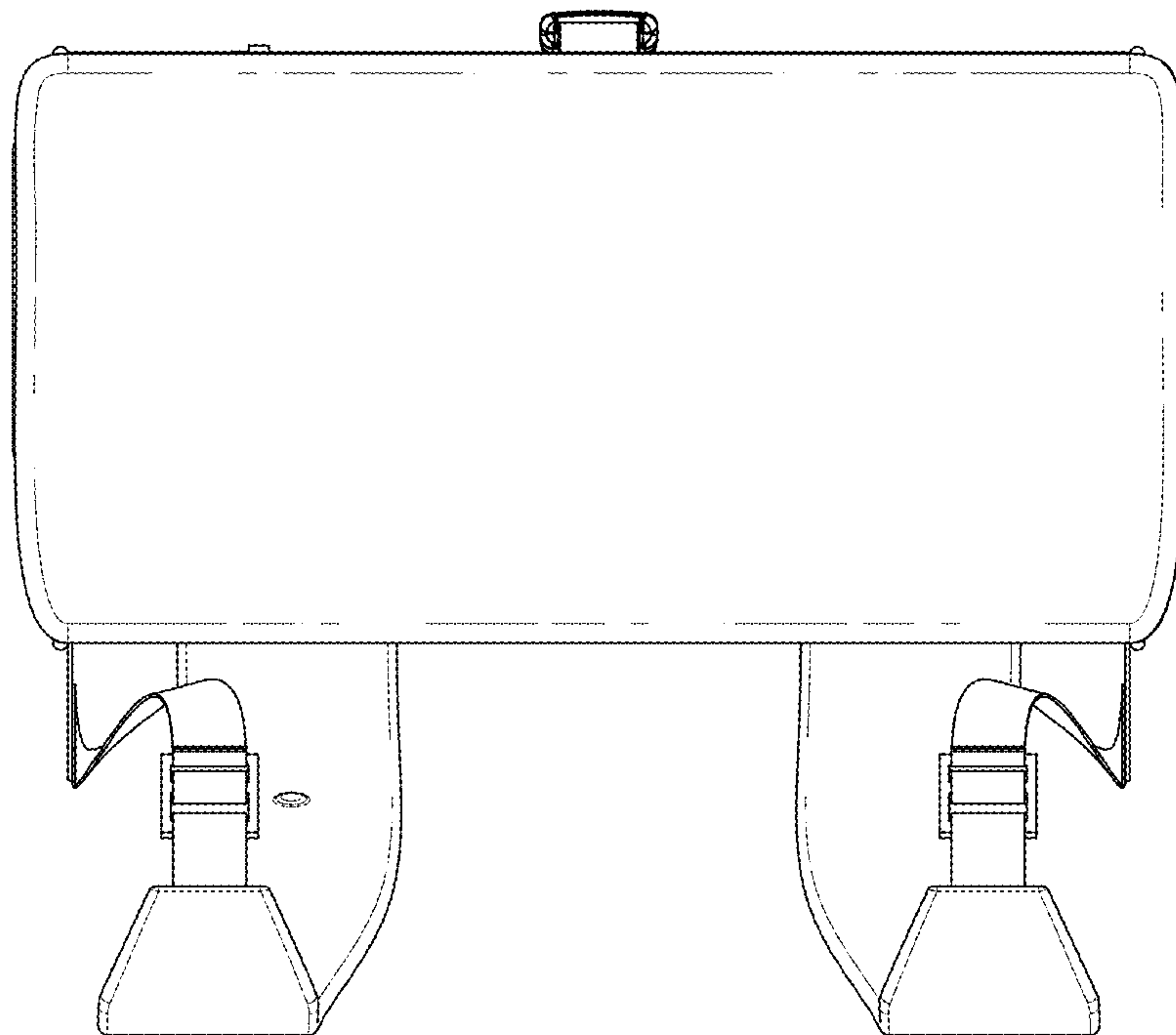


Fig. 5

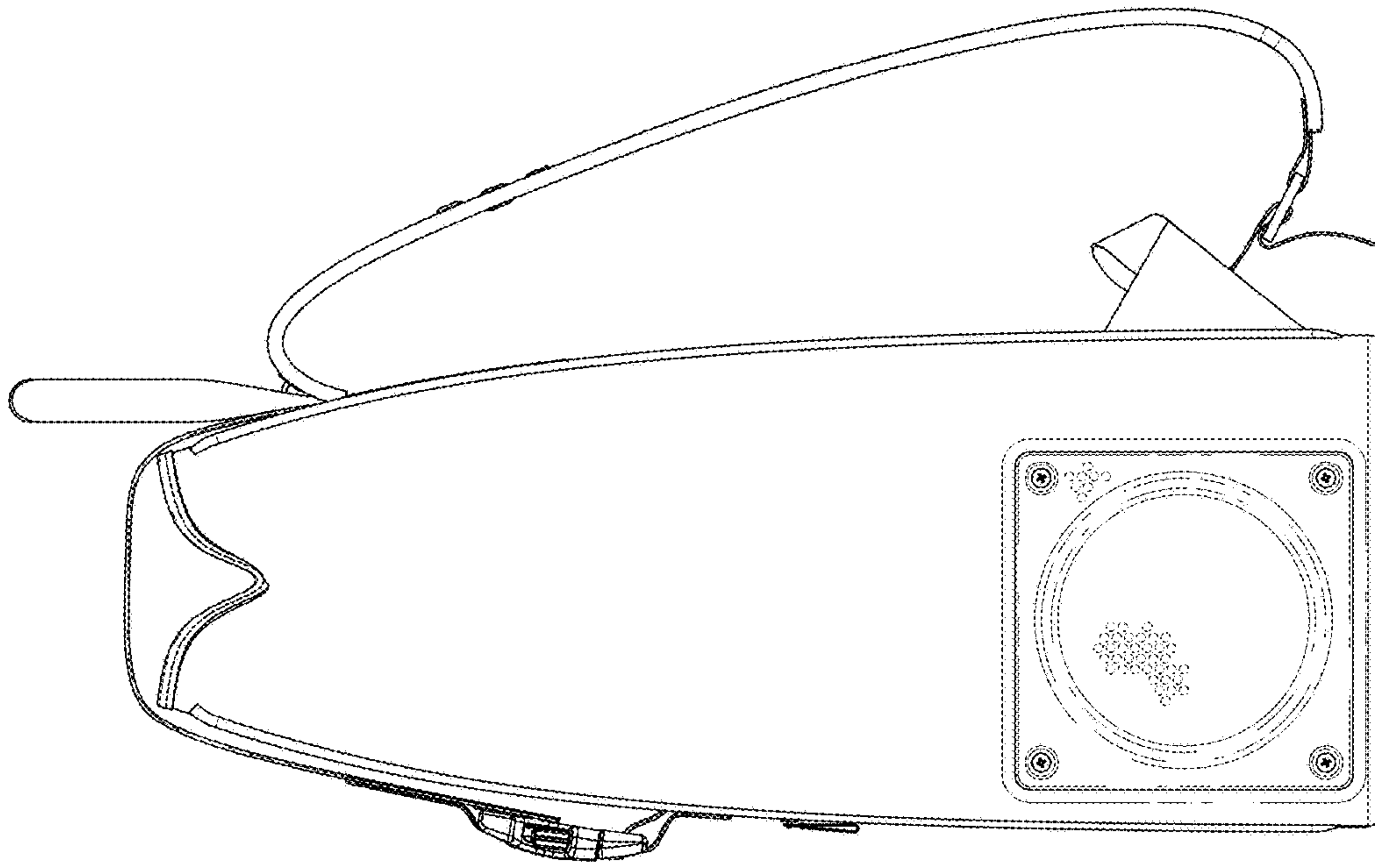


Fig. 6

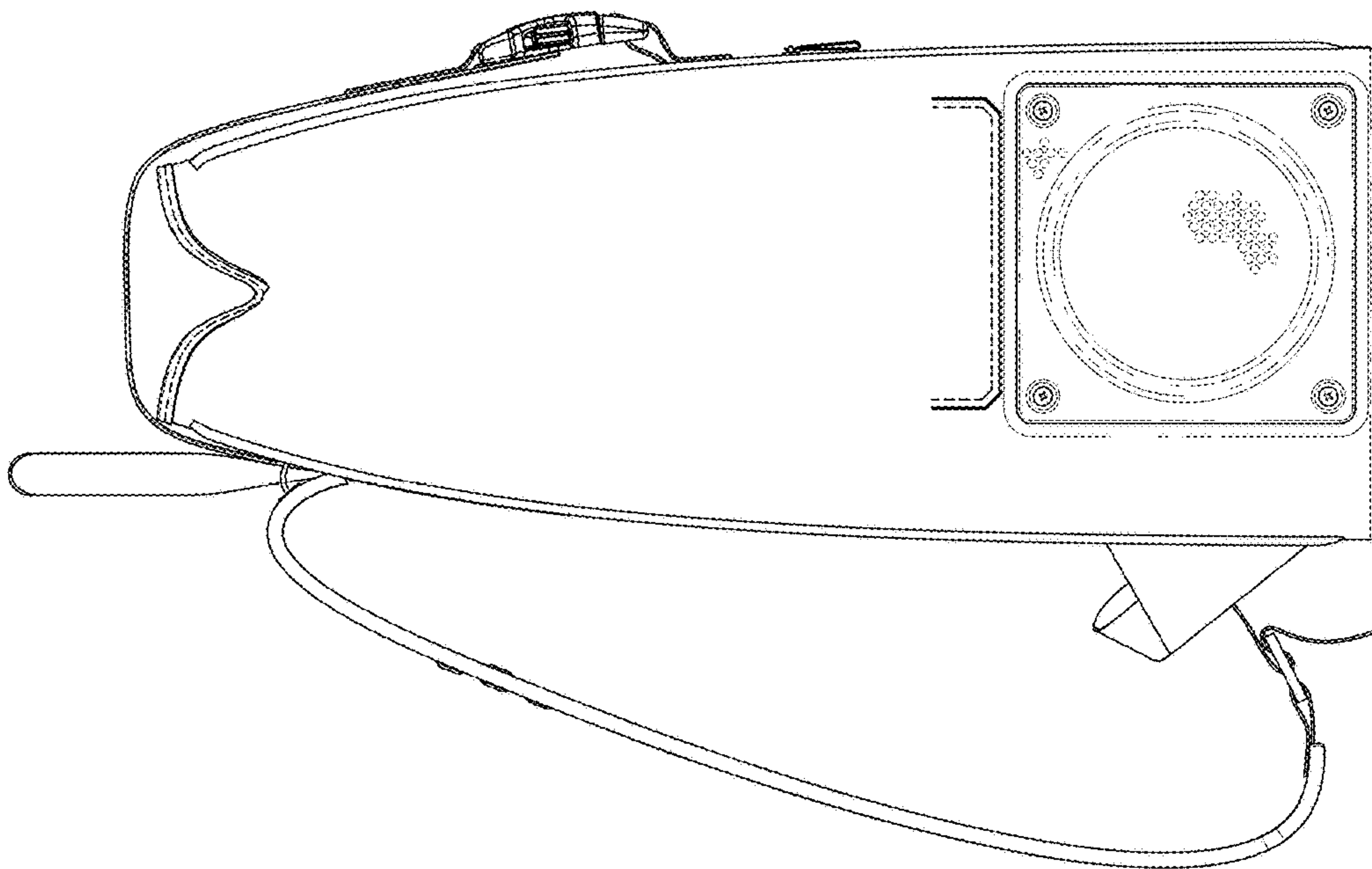


Fig. 7

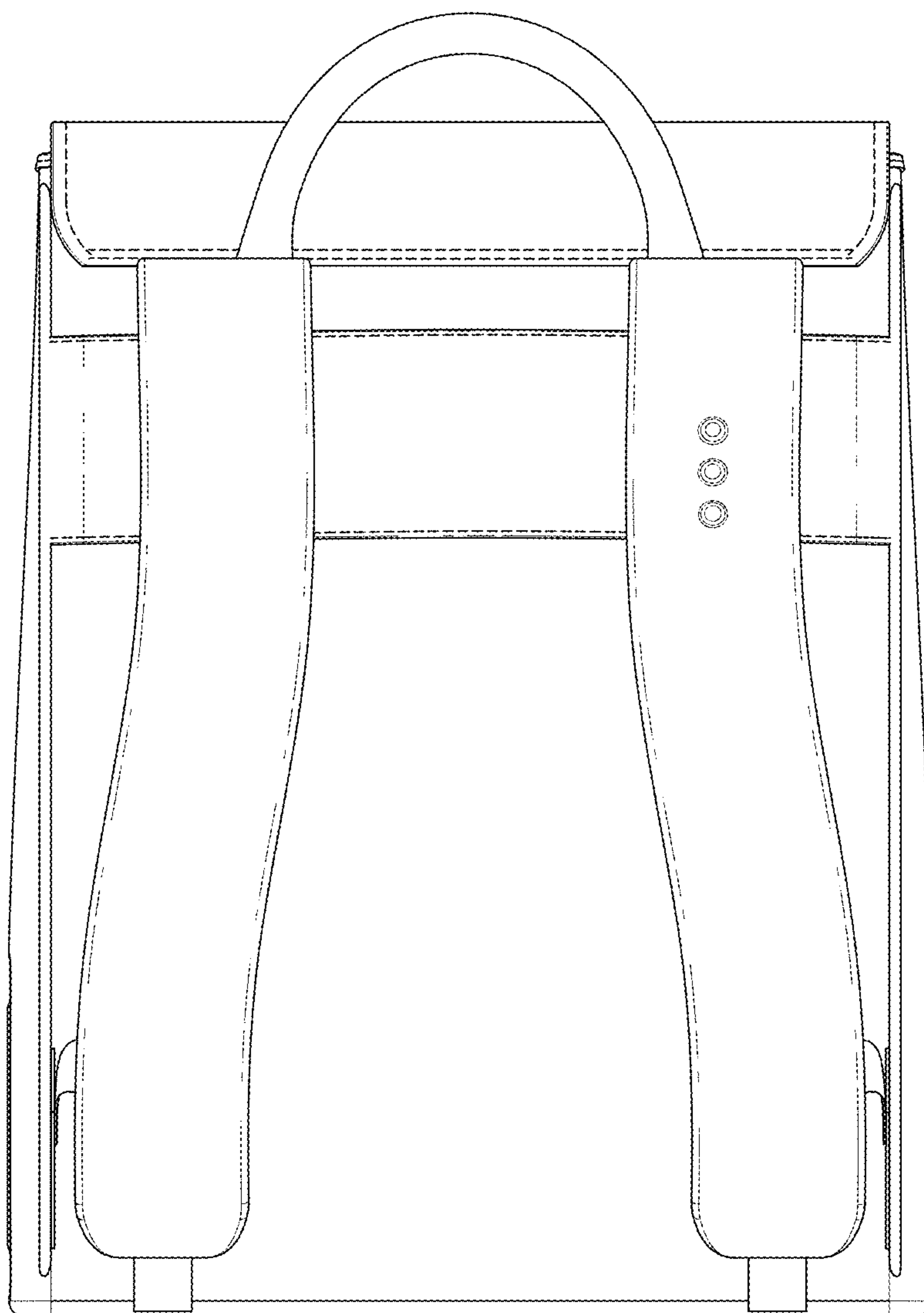


Fig. 8

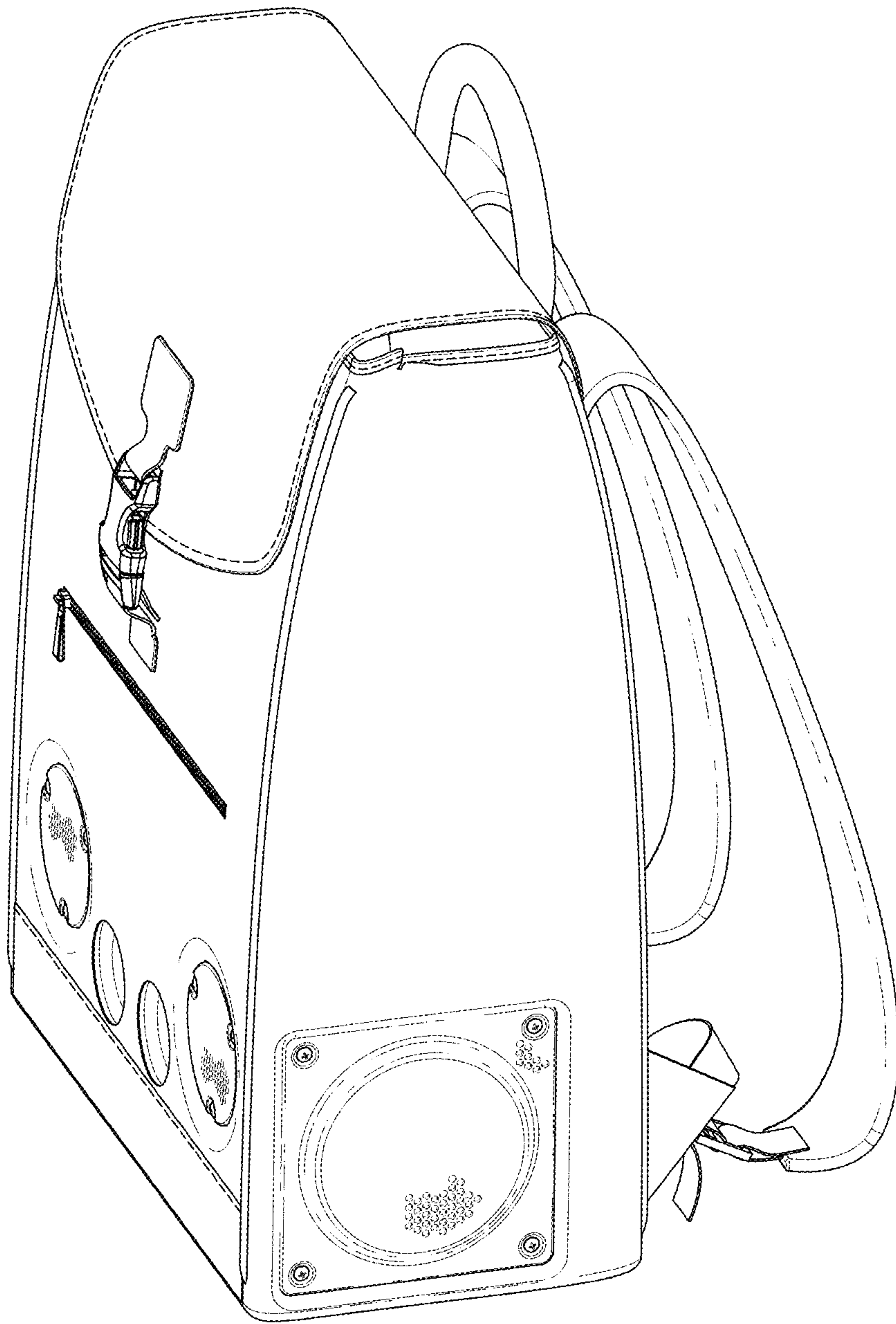


Fig. 9