



US00D775803S

(12) **United States Design Patent** (10) **Patent No.:** **US D775,803 S**
Fisher (45) **Date of Patent:** **** Jan. 10, 2017**

(54) **REMOVABLE GOLF SPIKE CLEAT BODY**

(71) Applicant: **Saber Golf, LLC**, Blue Ridge, GA (US)

(72) Inventor: **Doug Fisher**, Atlanta, GA (US)

(73) Assignee: **Saber Golf, LLC**, Blue Ridge, GA (US)

(**) Term: **15 Years**

(21) Appl. No.: **29/567,277**

(22) Filed: **Jun. 7, 2016**

Related U.S. Application Data

(63) Continuation of application No. 29/524,682, filed on Apr. 22, 2015, now Pat. No. Des. 761,544.

(51) **LOC (10) Cl.** **02-99**

(52) **U.S. Cl.**
USPC **D2/962**

(58) **Field of Classification Search**

USPC D2/896, 946, 962, 906, 963
CPC A43C 13/00; A43C 13/02; A43C 13/04;
A43C 13/12; A43C 15/00; A43C 15/02;
A43C 15/04; A43C 15/06; A43C 15/061;
A43C 15/066; A43C 15/068; A43C 15/09;
A43C 15/16; A43C 15/161; A43C 15/162;
A43C 15/164; A43C 15/165; A43C
15/167; A43C 15/168; A43C 16/18

See application file for complete search history.

(56) **References Cited**

U.S. PATENT DOCUMENTS

2,258,805 A * 10/1941 Philips A43C 15/162
36/59 R

2,582,053 A 1/1952 Merlin
3,561,140 A * 2/1971 Ludwig A43C 15/02
36/15

D389,299 S * 1/1998 McMullin D2/962

5,794,367 A 8/1998 Carroll
D401,046 S * 11/1998 McMullin D2/962
D404,192 S 1/1999 McMullin
5,887,371 A 3/1999 Curley, Jr.
D407,893 S 4/1999 McMullin
D408,122 S 4/1999 McMullin
5,926,980 A 7/1999 Adam
D415,340 S 10/1999 McMullin
5,960,568 A 10/1999 Bell
6,006,454 A 12/1999 Sitzler, Sr.
6,052,923 A 4/2000 McMullin
6,154,984 A 12/2000 Adam
6,233,850 B1 5/2001 Peabody

(Continued)

OTHER PUBLICATIONS

Fisher, Doug; U.S. Patent Application entitled: Shoe Spike having U.S. Appl. No. 14/693,312, filed Apr. 22, 2015, 29 pgs.

(Continued)

Primary Examiner — Elizabeth J Oswecki

(74) *Attorney, Agent, or Firm* — Taylor English Duma LLP

(57) **CLAIM**

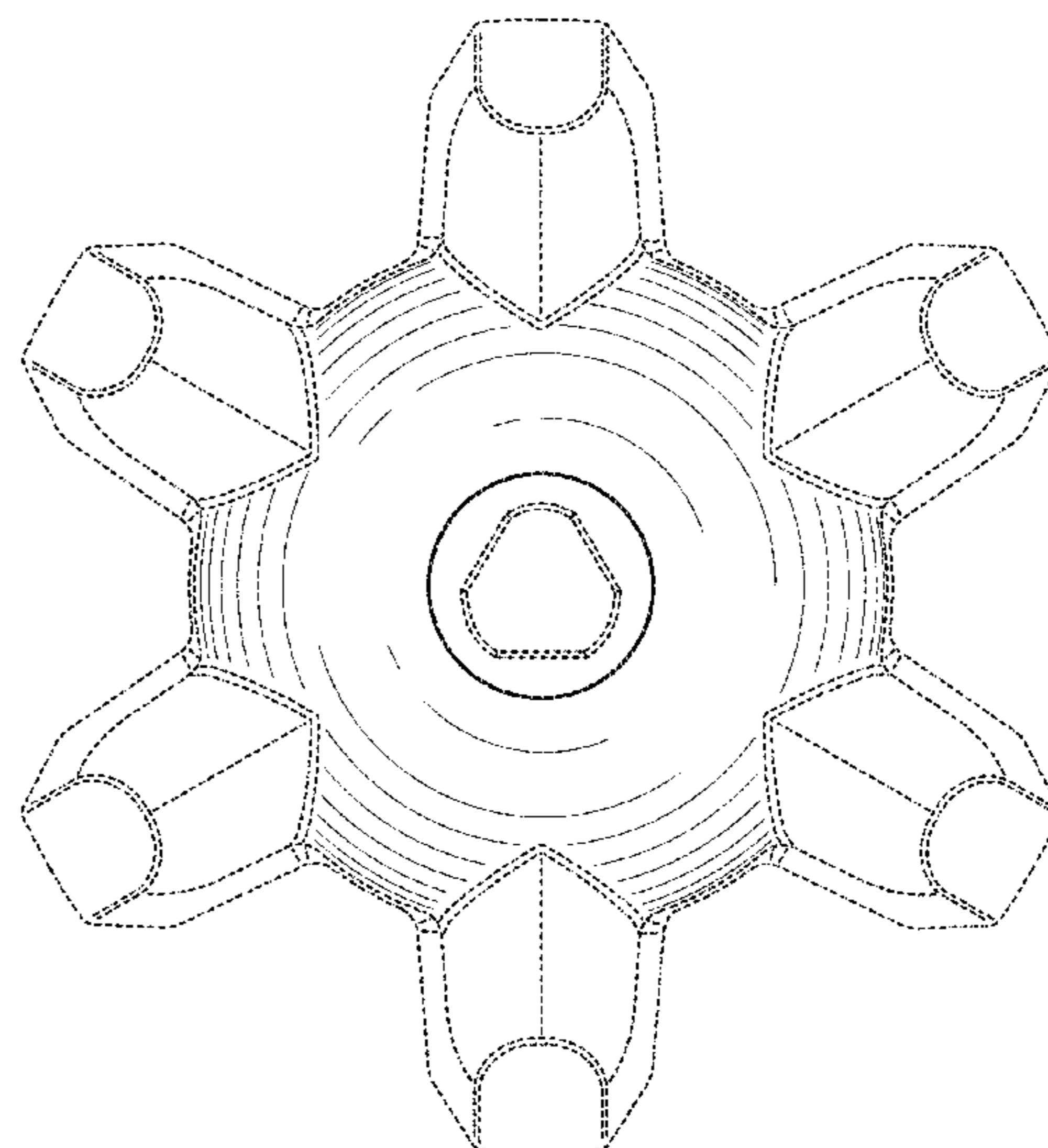
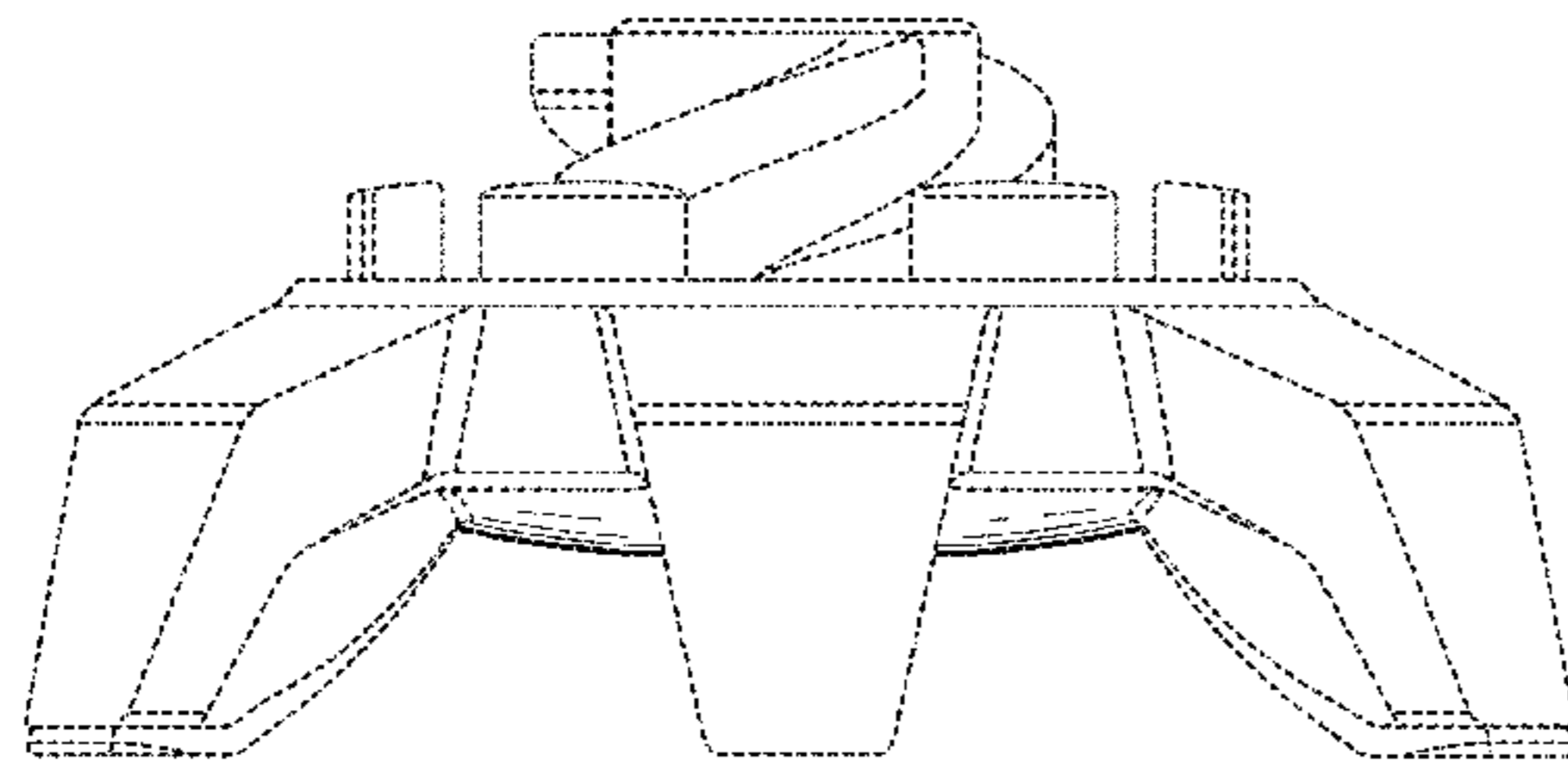
The ornamental design for a removable golf spike cleat body, as shown and described.

DESCRIPTION

FIG. 1 is a perspective view of a removable golf spike cleat body showing my new design;
FIG. 2 is a front elevation view thereof;
FIG. 3 is a back elevation view thereof;
FIG. 4 is a right-side elevation view thereof;
FIG. 5 is a left-side elevation view thereof;
FIG. 6 is a top plan view thereof; and,
FIG. 7 is a bottom plan view thereof.

The broken lines shown in the drawings represent portions of the removable golf spike cleat body that form no part of the claimed design.

1 Claim, 5 Drawing Sheets



(56)

References Cited

U.S. PATENT DOCUMENTS

6,253,468 B1 7/2001 Hirota
 D449,431 S 10/2001 Savoie
 D449,920 S 11/2001 Yu
 D450,915 S * 11/2001 McMullin D2/962
 D452,947 S 1/2002 Terashima
 6,338,208 B1 1/2002 Waterbury
 D454,248 S 3/2002 Savoie
 D455,896 S 4/2002 Peabody
 D459,866 S 7/2002 Gan
 D465,643 S 11/2002 Cho
 D468,084 S 1/2003 Lin
 6,513,266 B1 2/2003 Ijiri
 D493,277 S * 7/2004 Gan D2/962
 D505,538 S * 5/2005 Issler D2/962
 D509,050 S 9/2005 Savoie
 D510,179 S 10/2005 McMullin
 D517,292 S 3/2006 McMullin
 7,134,226 B2 11/2006 Robinson, Jr.
 D569,596 S 5/2008 Terashima
 D575,487 S 8/2008 Carruthers
 D577,480 S 9/2008 Ortley
 D582,642 S 12/2008 Robinson, Jr.
 D592,391 S 5/2009 McMullin
 7,774,958 B2 8/2010 Carruthers
 D631,240 S 1/2011 Shuttleworth
 7,891,118 B2 * 2/2011 Chen A43C 15/161
 36/134
 8,291,621 B2 10/2012 Baucom
 8,601,724 B2 12/2013 Shiue
 D721,883 S 2/2015 Burt
 D735,818 S * 8/2015 Black D21/662
 D761,544 S * 7/2016 Fisher D2/962
 2001/0011429 A1 8/2001 Peabody
 2003/0131502 A1 7/2003 Terashima
 2004/0040182 A1 3/2004 McMullin
 2005/0034334 A1 2/2005 McMullin

2006/0059723 A1 3/2006 Robinson et al.
 2006/0277800 A1 12/2006 Santos et al.
 2007/0062070 A1 3/2007 Kuhtz
 2007/0101618 A1 5/2007 Peake
 2007/0209239 A1 9/2007 Kelly
 2007/0277399 A1 12/2007 Dow
 2008/0072460 A1 3/2008 Robinson
 2008/0222924 A1 9/2008 Carruthers
 2009/0211118 A1 8/2009 Krikorian
 2009/0223088 A1 9/2009 Krikorian
 2009/0307933 A1 12/2009 Leach
 2010/0212191 A1 8/2010 Ortley
 2011/0023329 A1 2/2011 Auger
 2011/0232136 A1 9/2011 Curley
 2012/0047775 A1 3/2012 Savoie
 2013/0263478 A1 10/2013 Naparitano
 2014/0165423 A1 6/2014 Burt
 2016/0120265 A1 5/2016 Cavaliere

OTHER PUBLICATIONS

Fisher, Doug; PCT Application entitled: Shoe Spike, having serial No. PCT/US16/28238, filed Apr. 19, 2016, 31 pgs.
 Fisher, Doug; Notice of Allowance for U.S. Appl. No. 29/524,682, filed Apr. 22, 2015, mailed Mar. 21, 2016, 15 pgs.
 Fisher, Doug; U.S. Design Patent Application entitled: Removable Golf Spike having U.S. Appl. No. 29/524,682, filed Apr. 22, 2015, 6 pgs.
 Fisher, Doug; Non-Final Office Action for U.S. Appl. No. 14/693,312, filed Apr. 22, 2015, mailed Aug. 29, 2016, 36 pgs.
 Fisher, Doug; International Search Report and Written Opinion for PCT Application No. PCT/US16/28238, filed Jan. 19, 2016, mailed Aug. 12, 2016, 11 pgs.
 Fisher, Doug; Corrected Notice of Allowability for U.S. Appl. No. 29/524,682, filed Apr. 22, 2015, mailed Jun. 15, 2016, 9 pgs.
 Fisher, Doug; Issue Notification for U.S. Appl. No. 29/524,682, filed Apr. 22, 2015, mailed Jun. 29, 2016, 1 pg.

* cited by examiner

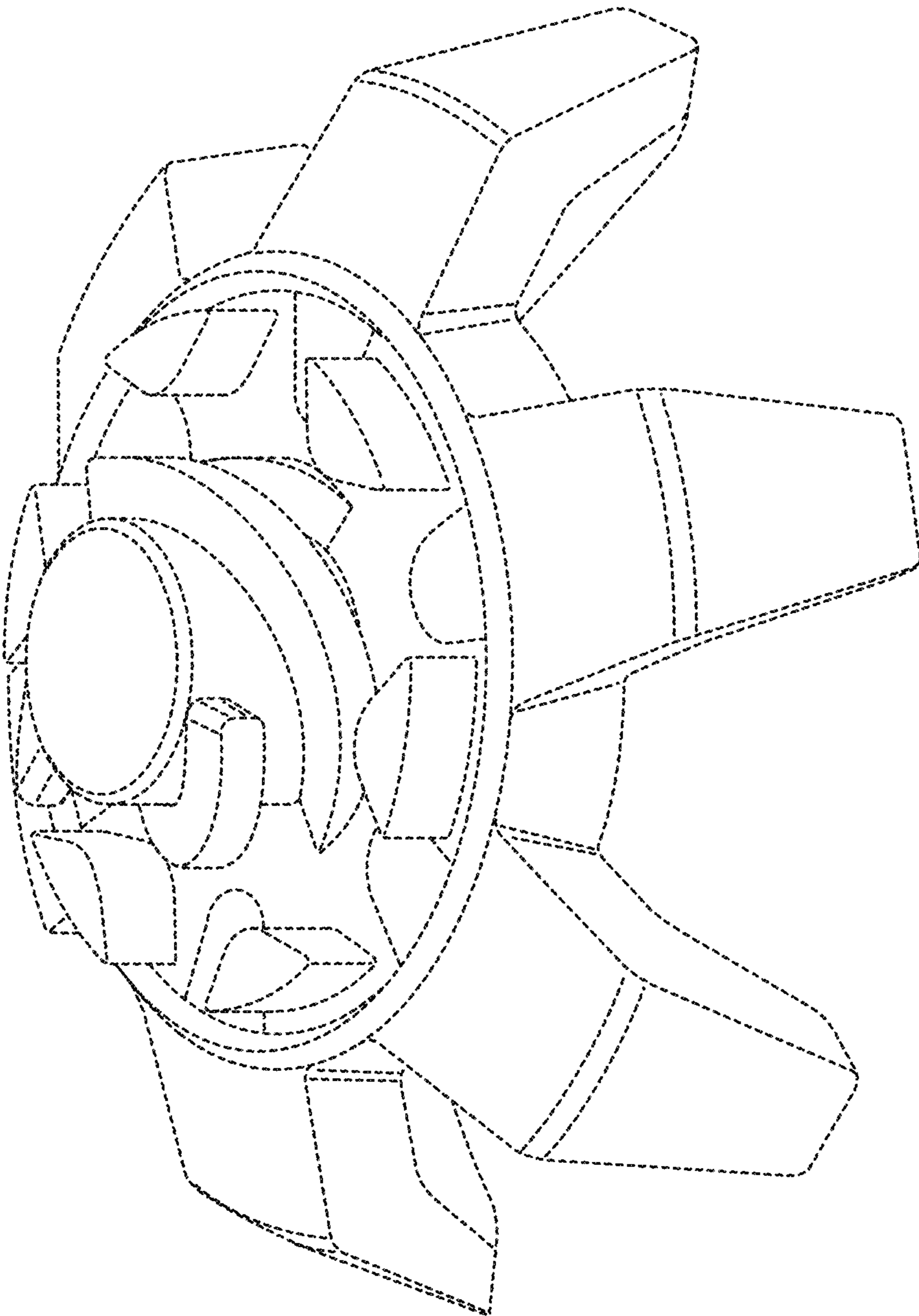


FIG. 1

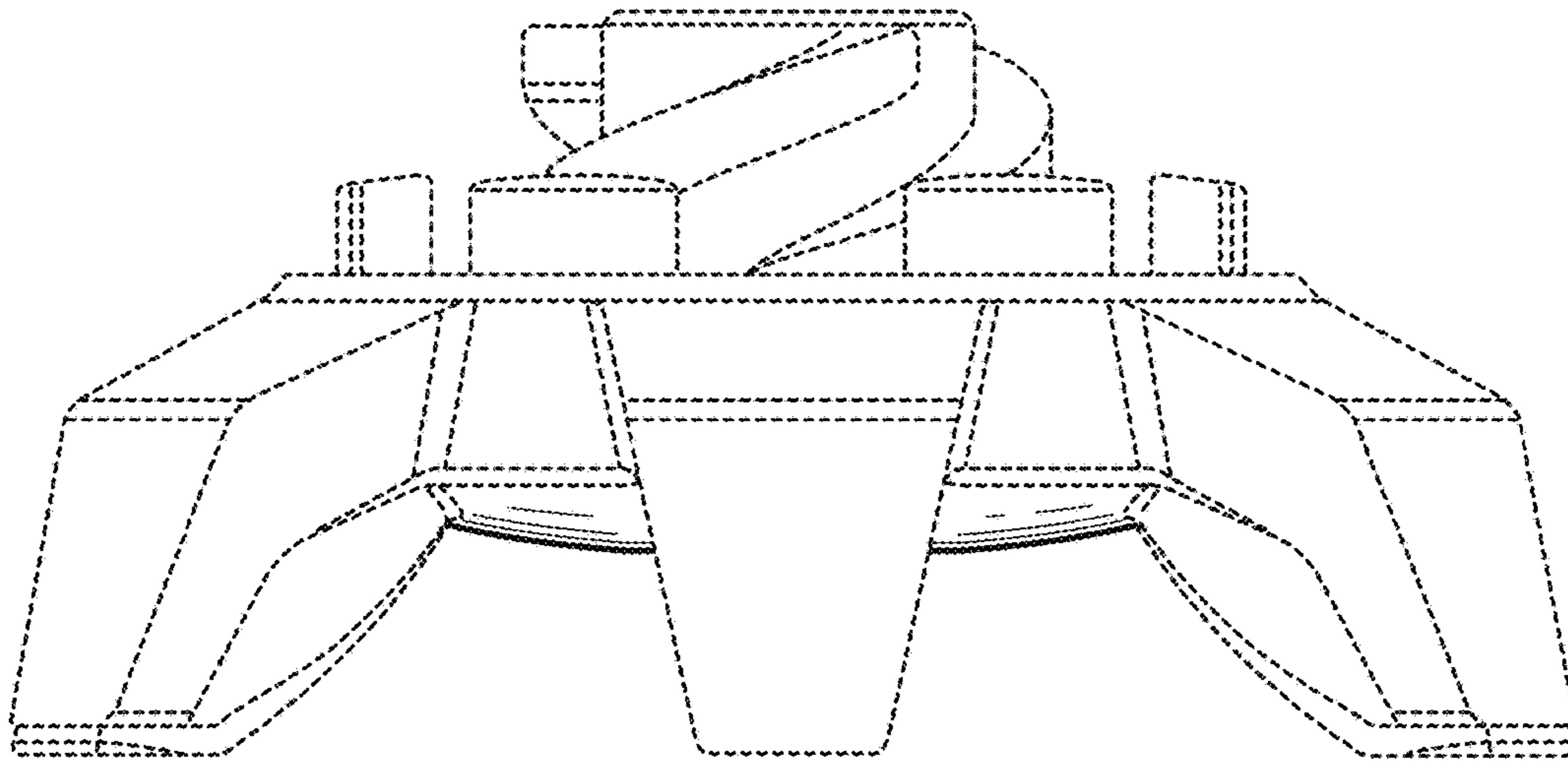


FIG. 2

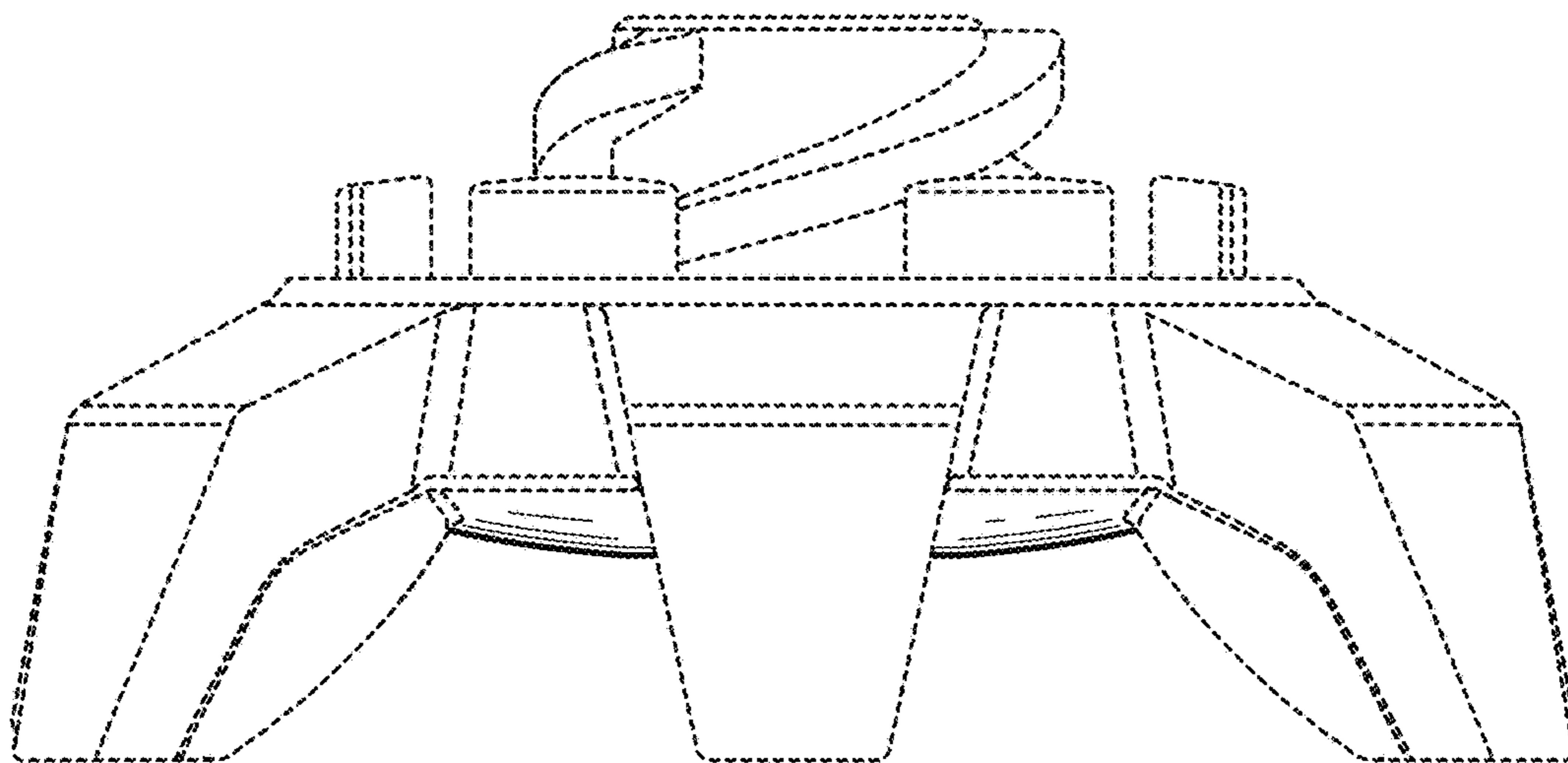


FIG. 3

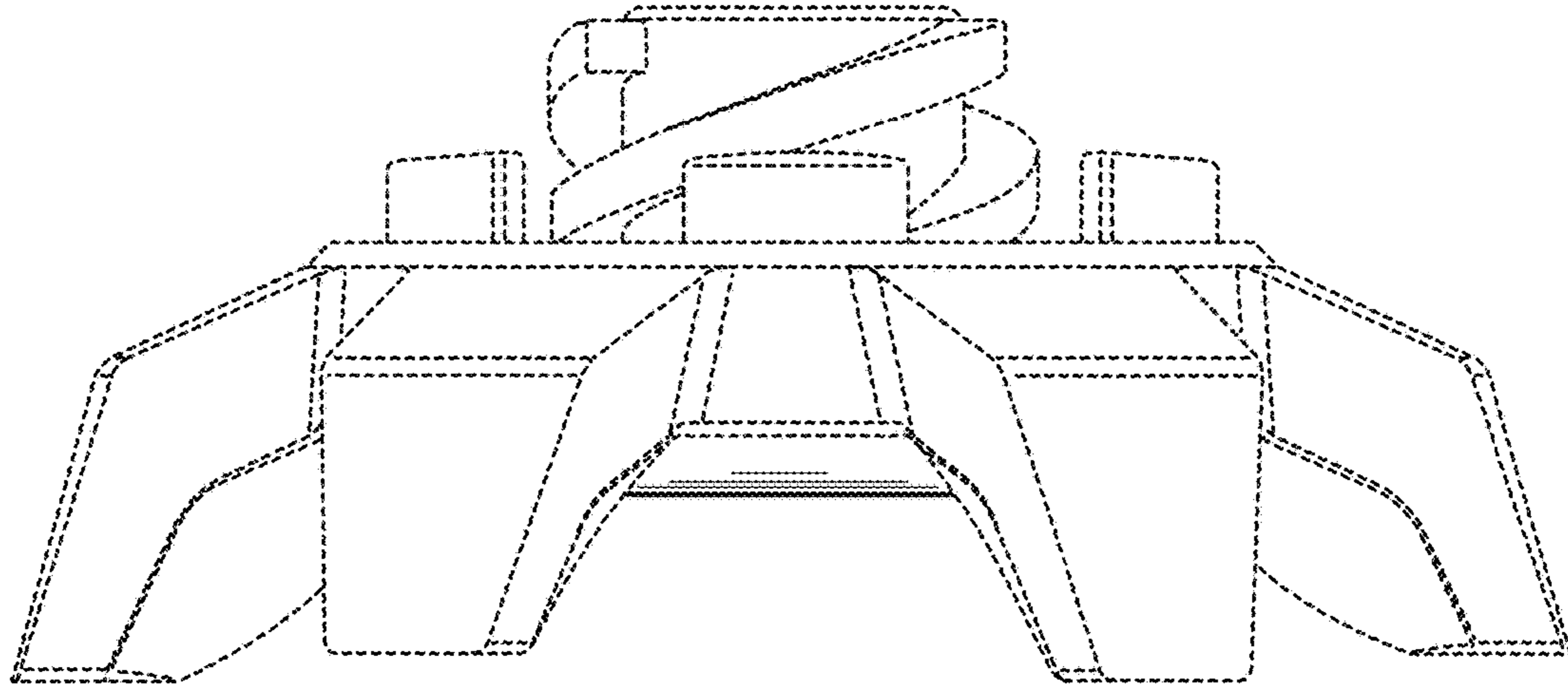


FIG. 4

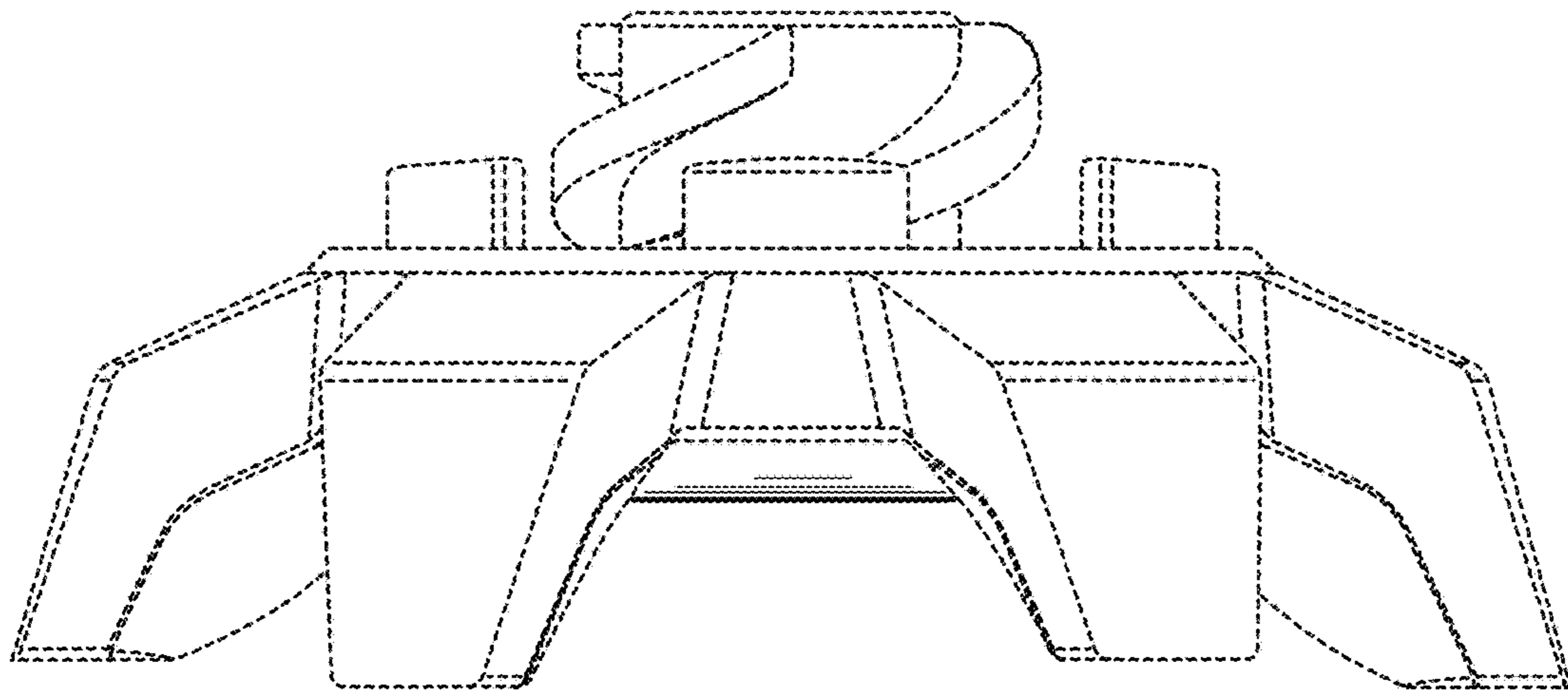


FIG. 5

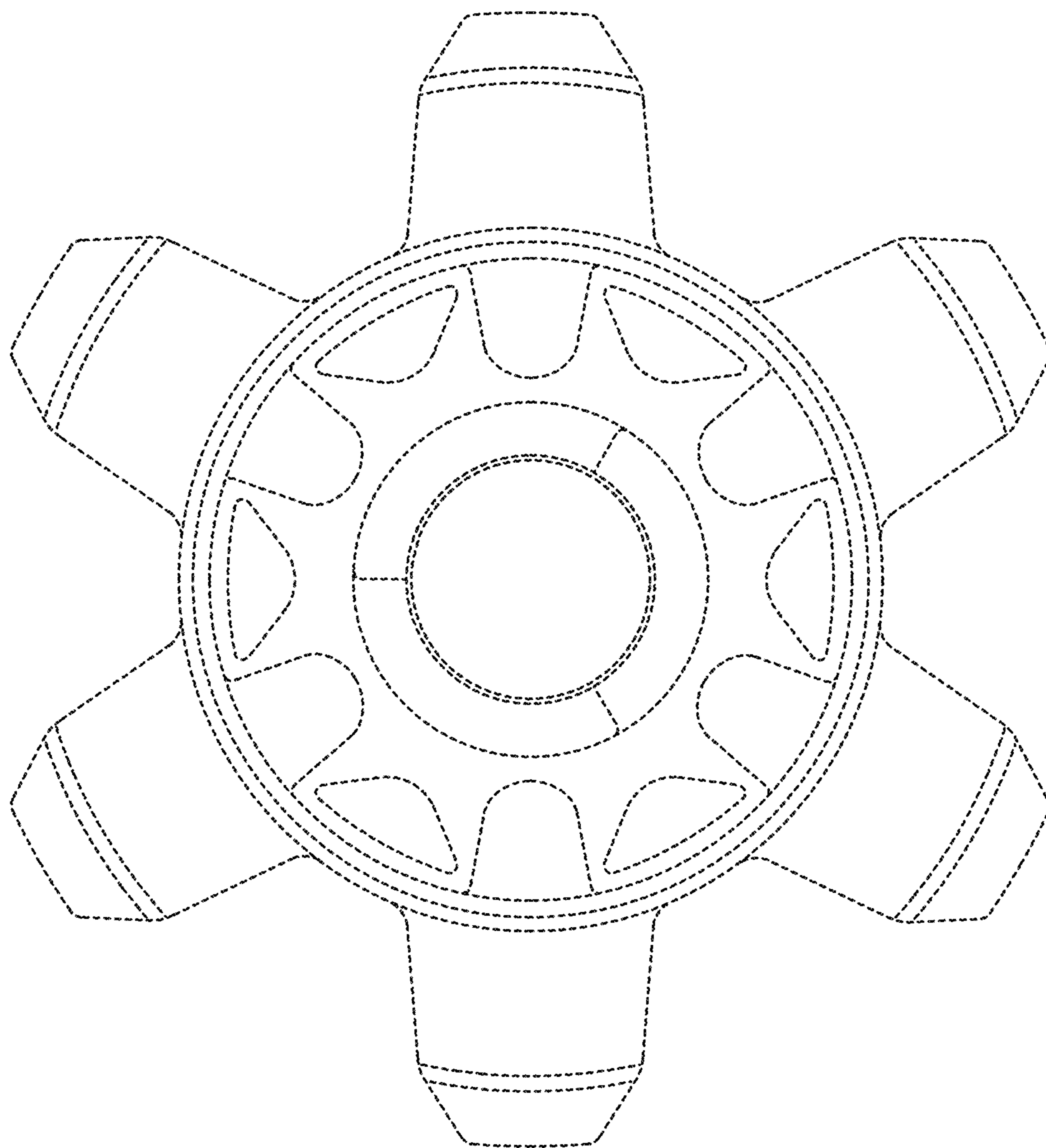


FIG. 6

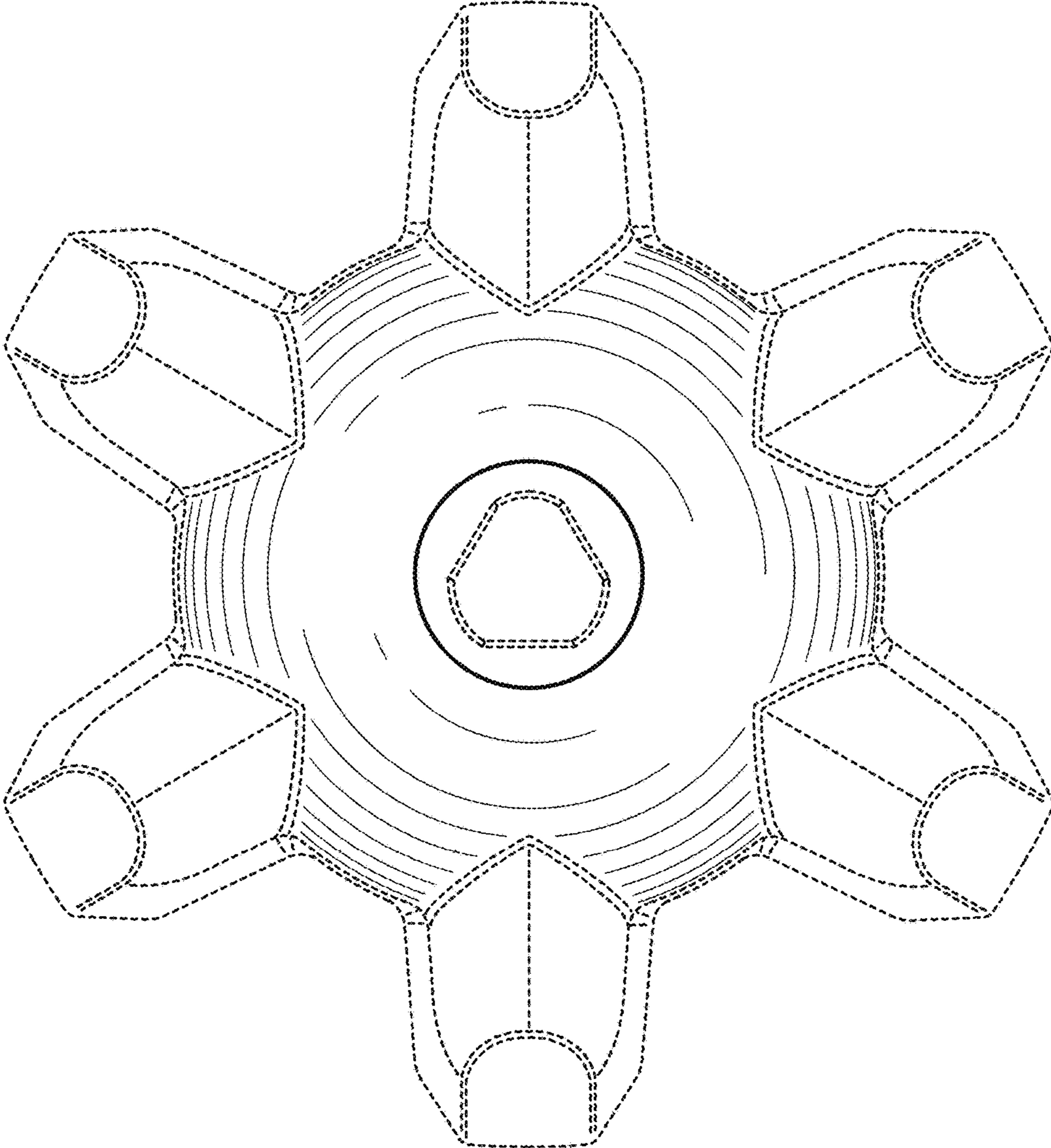


FIG. 7