



US00D775788S

(12) **United States Design Patent**
Darmour

(10) **Patent No.:** **US D775,788 S**
(45) **Date of Patent:** **** Jan. 10, 2017**

(54) **HOODED GARMENT**

- (71) Applicant: **NIKE, Inc.**, Beaverton, OR (US)
- (72) Inventor: **Rob Darmour**, Portland, OR (US)
- (73) Assignee: **NIKE, Inc.**, Beaverton, OR (US)
- (**) Term: **14 Years**
- (21) Appl. No.: **29/521,999**
- (22) Filed: **Mar. 26, 2015**
- (51) **LOC (10) Cl.** **02-02**
- (52) **U.S. Cl.**
USPC **D2/828**
- (58) **Field of Classification Search**
USPC D2/828, 831, 839, 840, 829; 2/108, 93,
2/96, 97, 905, 695, 456, 70, 84, 69, 16
CPC A41D 3/00; A41D 27/10; A41D 27/04;
A41D 15/04; A41D 13/001; A41D 27/20;
A41D 13/08; H04R 5/02; A41F
5/00; A42B 1/048
See application file for complete search history.

(56) **References Cited**

U.S. PATENT DOCUMENTS

D189,233 S	11/1960	Gardner et al.	
3,147,490 A *	9/1964	Allen	A41D 3/00
			2/84
3,698,014 A *	10/1972	Little	A41D 3/00
			2/202
D243,723 S *	3/1977	Schaefer	D2/829
D266,880 S *	11/1982	Luhtala	D2/831
4,646,366 A *	3/1987	Nishida	A41D 13/00
			2/108
D289,223 S	4/1987	Sumpter et al.	
D323,733 S *	2/1992	Shalom	D2/831
D338,773 S *	8/1993	Wilde	D2/831
D385,088 S *	10/1997	Handysides	D2/828
D430,721 S	9/2000	Beauchan	

(Continued)

FOREIGN PATENT DOCUMENTS

EM	EU 000082607-0002	*	2/2004
GB	3004600	*	7/2002

OTHER PUBLICATIONS

For 3M Fanatics, Vapor Flash Jacket—p. 23, Announced Dec. 9, 2014, [Site Visited Jan. 22, 2016] <http://niketalk.com/t/319284/for-3m-fanatics-vapor-flash-jacket/660>.*

(Continued)

Primary Examiner — John Windmuller
Assistant Examiner — Luqman McNeil
(74) *Attorney, Agent, or Firm* — Banner & Witcoff, Ltd.

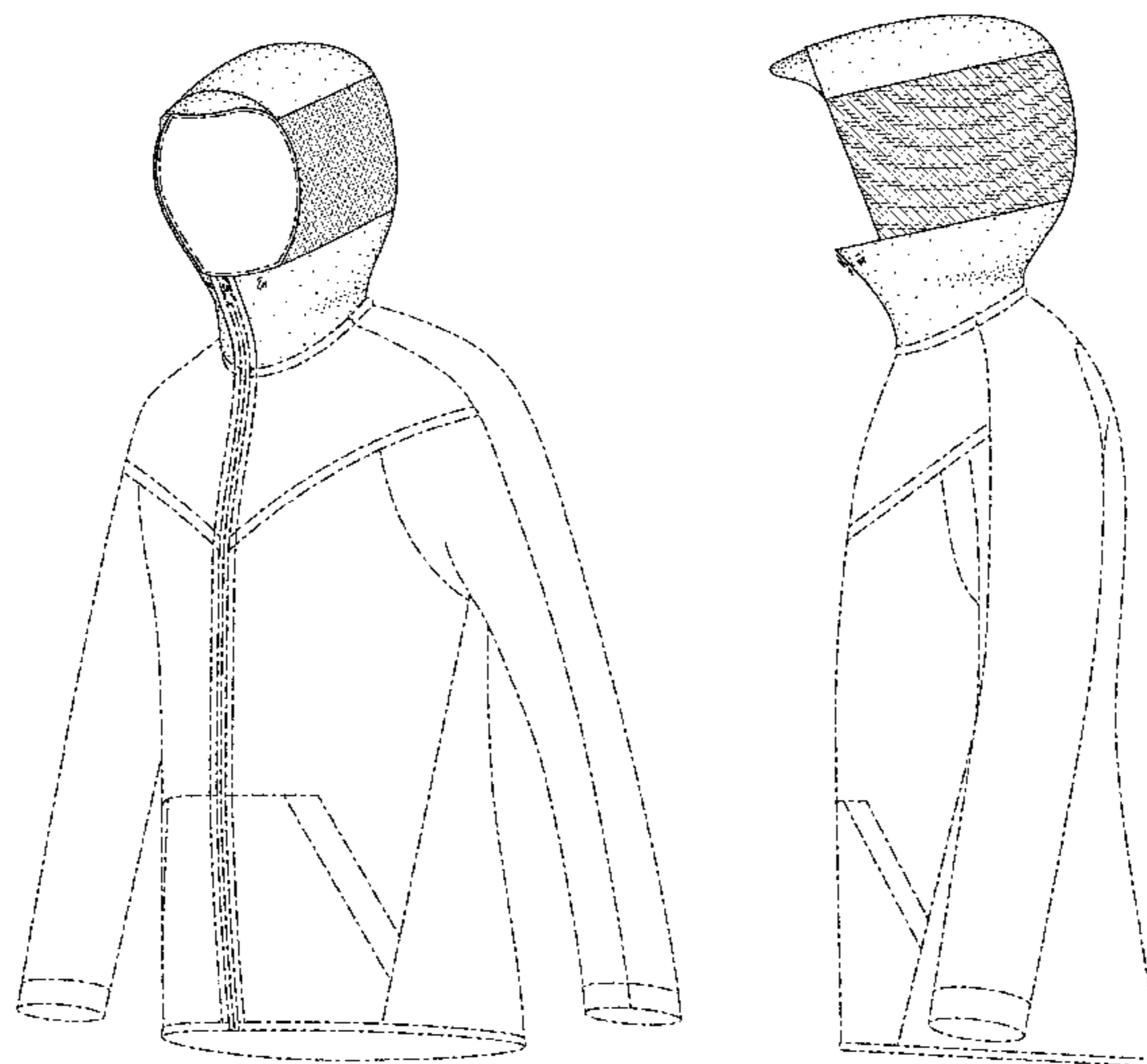
(57) **CLAIM**

The ornamental design for a hooded garment, as shown and described.

DESCRIPTION

FIG. 1 is a front left perspective view of a hooded garment showing my new design in an in-use configuration; FIG. 2 is a front right perspective view thereof; FIG. 3 is a front view thereof; FIG. 4 is a rear view thereof; FIG. 5 is a left side view thereof; FIG. 6 is a right side view thereof; FIG. 7 is a top view thereof; and, FIG. 8 is a bottom view thereof. The broken lines immediately adjacent to the shaded area represent unclaimed boundaries of the claimed design. The unshaded regions represent unclaimed portions of the garment and form no part of the claimed design. The contrast in shading represents a contrast of appearance and does not represent any particular color, material, or texture.

1 Claim, 7 Drawing Sheets



(56)

References Cited

U.S. PATENT DOCUMENTS

6,119,270 A * 9/2000 Chou A41D 3/00
2/108
D479,902 S * 9/2003 Brown D2/831
6,654,963 B2 12/2003 Fayle et al.
D527,868 S * 9/2006 Wager D2/828
D529,687 S * 10/2006 Rindle D2/828
7,684,755 B2 * 3/2010 Pierce H04R 5/02
2/905
D621,132 S * 8/2010 Crisp D2/831
D622,937 S * 9/2010 Bay D2/830
D633,692 S 3/2011 Lawrence et al.
D636,973 S * 5/2011 Smith D2/830
D637,771 S * 5/2011 Gruber D30/145
D637,794 S 5/2011 Gosse
D638,200 S * 5/2011 Gorson D2/831
D638,201 S * 5/2011 Gosse D2/831
D638,202 S * 5/2011 Gosse D2/831
D641,139 S 7/2011 Shearer
D654,664 S * 2/2012 Evans D2/839
D662,282 S * 6/2012 Meunier-Bouchard D2/828
D662,284 S * 6/2012 Lam D2/831
D665,152 S * 8/2012 Morales D2/840
D685,160 S 7/2013 Savage
D685,161 S 7/2013 Sun
D693,990 S * 11/2013 Farron D2/839
D694,992 S * 12/2013 Farron D2/828
D695,491 S * 12/2013 Hawkins D2/750
D700,418 S * 3/2014 Borovicka D2/831
D701,368 S * 3/2014 Borovicka D2/831
8,661,563 B2 * 3/2014 Evans A41D 13/08
2/16
D703,922 S * 5/2014 Roberts D2/829
D704,924 S * 5/2014 Roberts D2/831
D705,522 S 5/2014 Borovicka et al.
D707,923 S 7/2014 Borovicka et al.
D713,620 S * 9/2014 Pezzimenti D2/828
D714,525 S * 10/2014 Payne D2/828
D714,526 S 10/2014 Ingram

D716,022 S * 10/2014 Judge D2/831
D719,722 S * 12/2014 Bublak D2/828
D736,497 S * 8/2015 Harris D2/831
D746,551 S * 1/2016 Ingram D2/839
D747,075 S * 1/2016 Ingram D2/831
2003/0051286 A1 * 3/2003 Gregg A41D 27/10
2/93
2004/0055069 A1 * 3/2004 Clarke Fayle A41D 3/00
2/93
2004/0143884 A1 * 7/2004 Majerfeld A41D 27/04
2/96
2009/0249529 A1 * 10/2009 Rodriguez A41D 3/00
2/97
2011/0088135 A1 * 4/2011 Snyder A41D 15/04
2/69.5
2012/0005812 A1 * 1/2012 Corzatt A41D 13/001
2/456
2012/0204313 A1 * 8/2012 Evans A41F 5/00
2/70
2013/0019379 A1 * 1/2013 Shadid A41D 13/0012
2/84
2013/0042384 A1 * 2/2013 Mitchell A42B 1/048
2/84
2013/0219581 A1 * 8/2013 Schrimpf A41D 27/20
2/69

OTHER PUBLICATIONS

Nike Apparel Catalog, Fall 2010 Performance Apparel, p. 18, published date unknown, but prior to the filing date of the present application, NIKE, Inc., USA.
Nike Apparel Catalog, Holiday 2010 Young Athletes: Apparel, p. 48, published date unknown, but prior to the filing date of the present application, NIKE, Inc., USA.
Nike Apparel Catalog, Spring 2010 Sport Performance, p. 41, published May 2009, NIKE, Inc., USA.
Nike Apparel Catalog, Fall 2011 Men's Apparel: Athletic Dept./Classics, p. 58, published date unknown, but prior to the filing date of the present application, NIKE, Inc., USA.

* cited by examiner

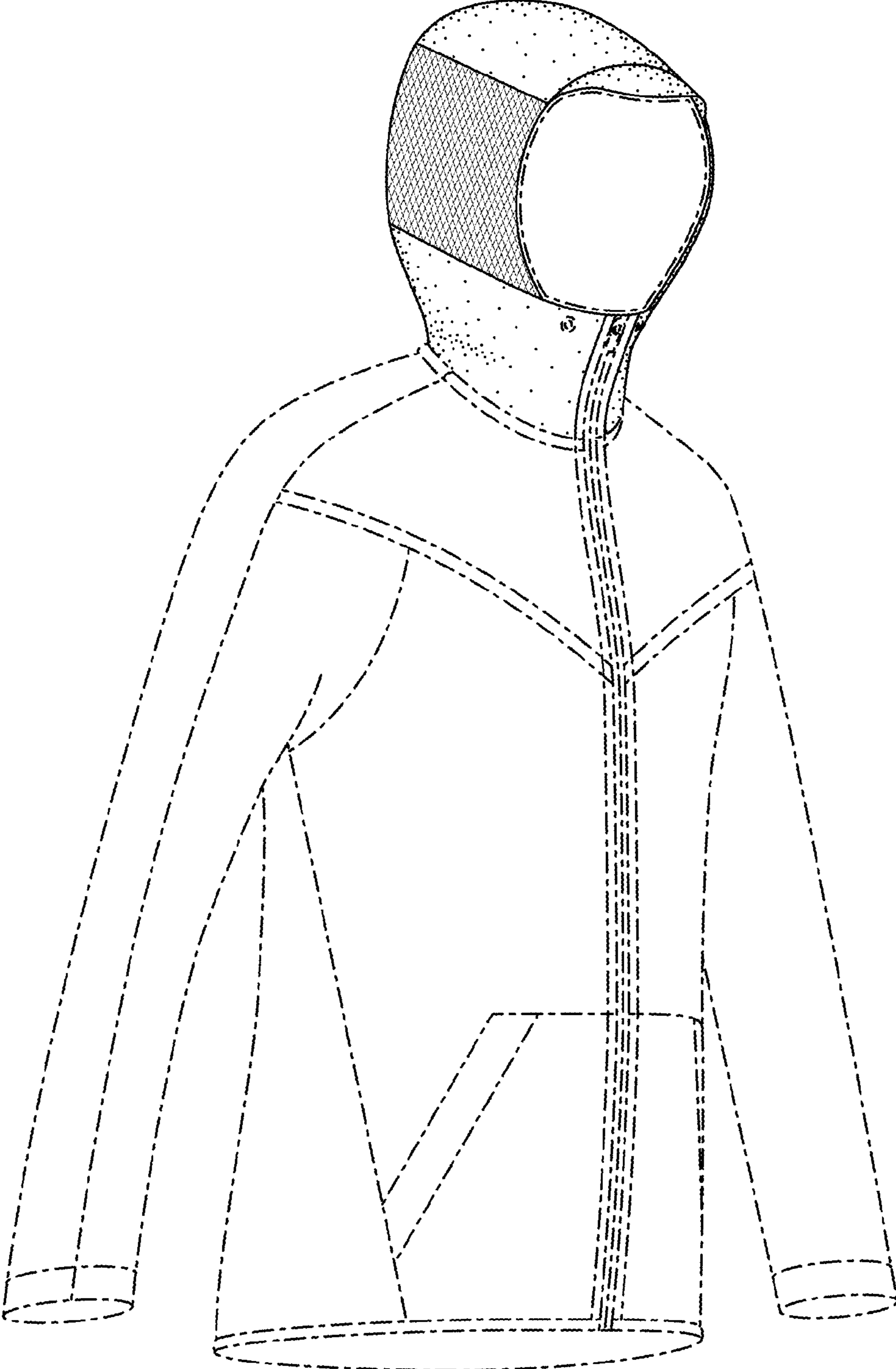


FIG. 1

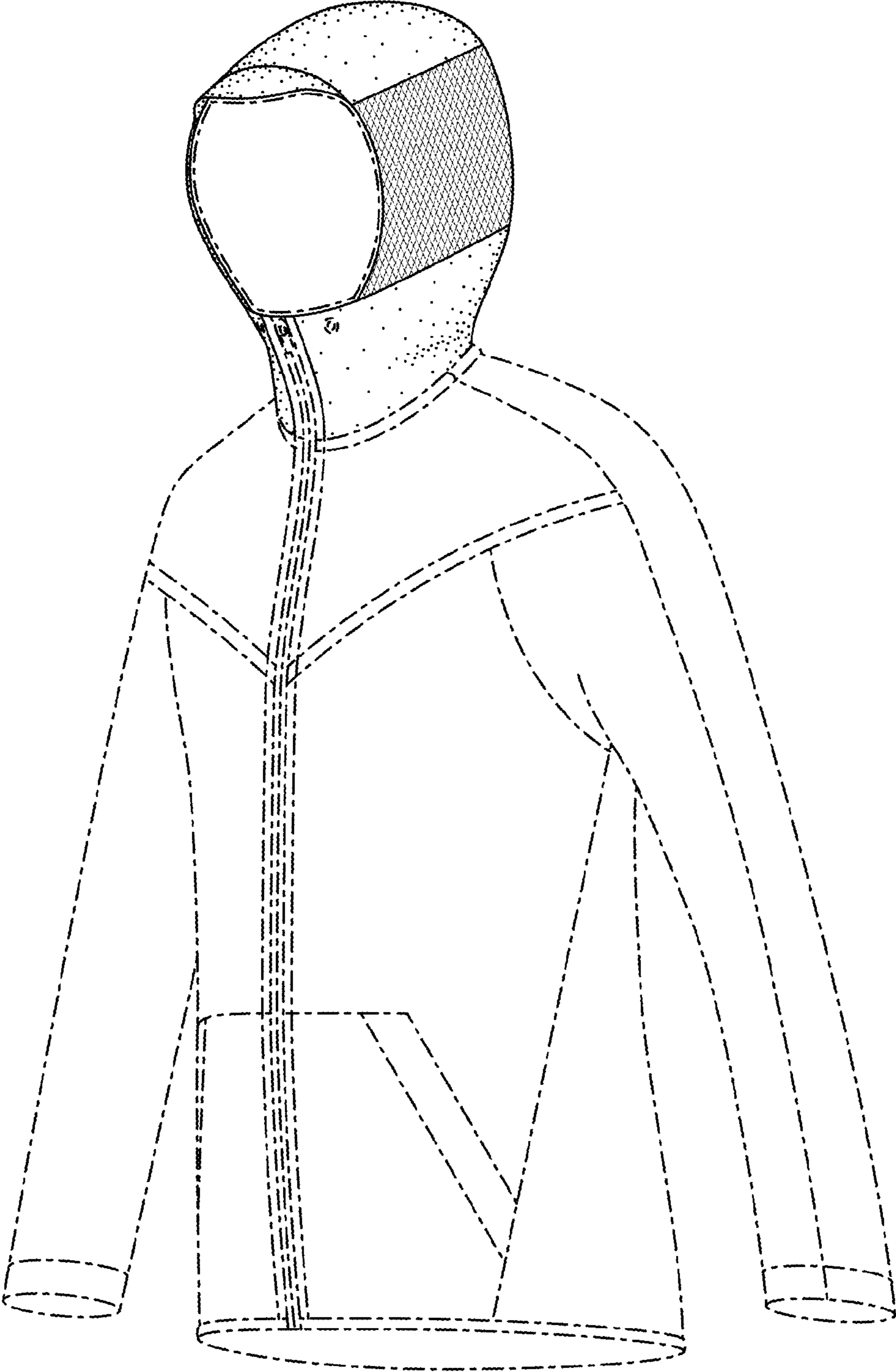


FIG. 2

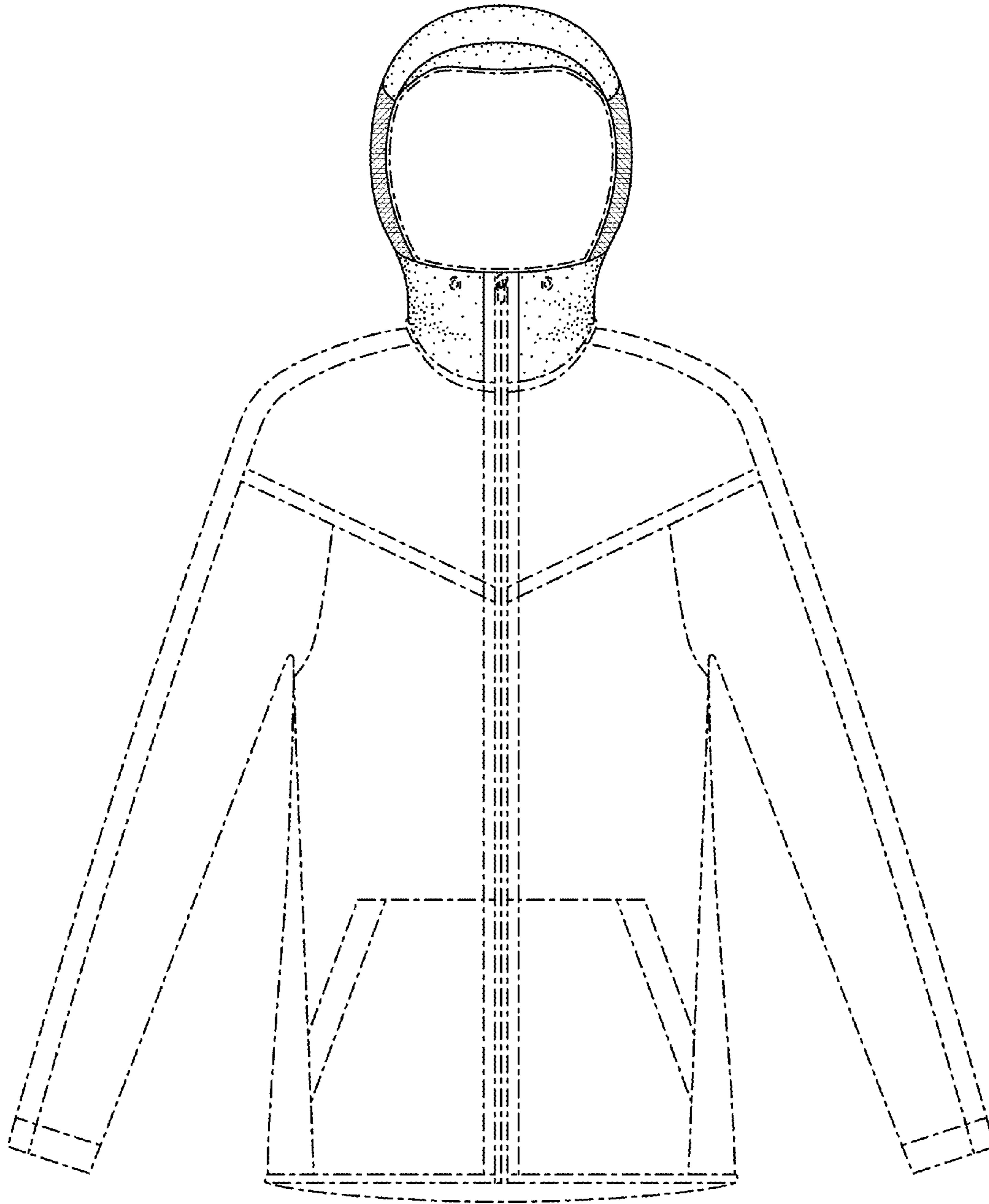


FIG. 3

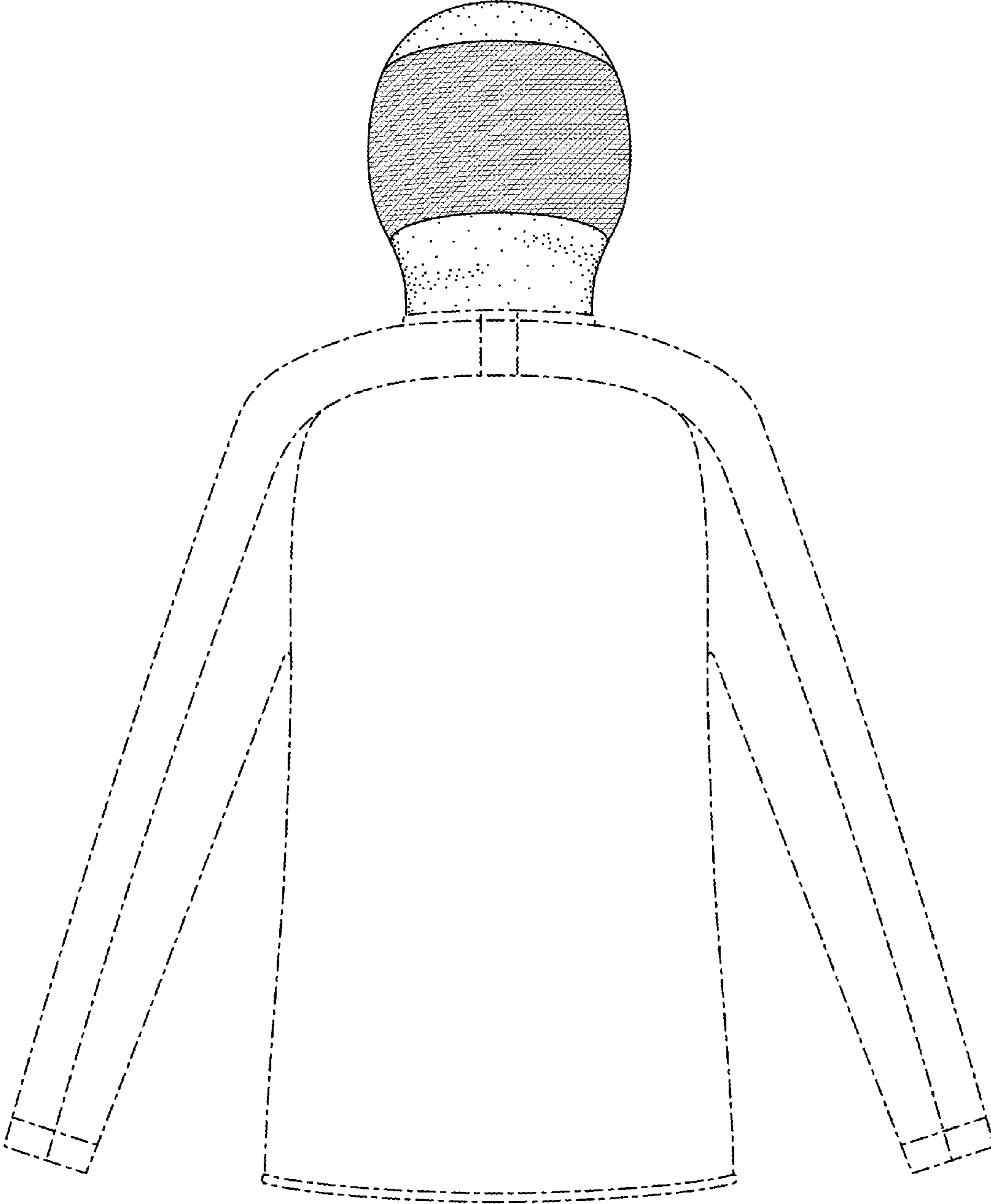


FIG. 4

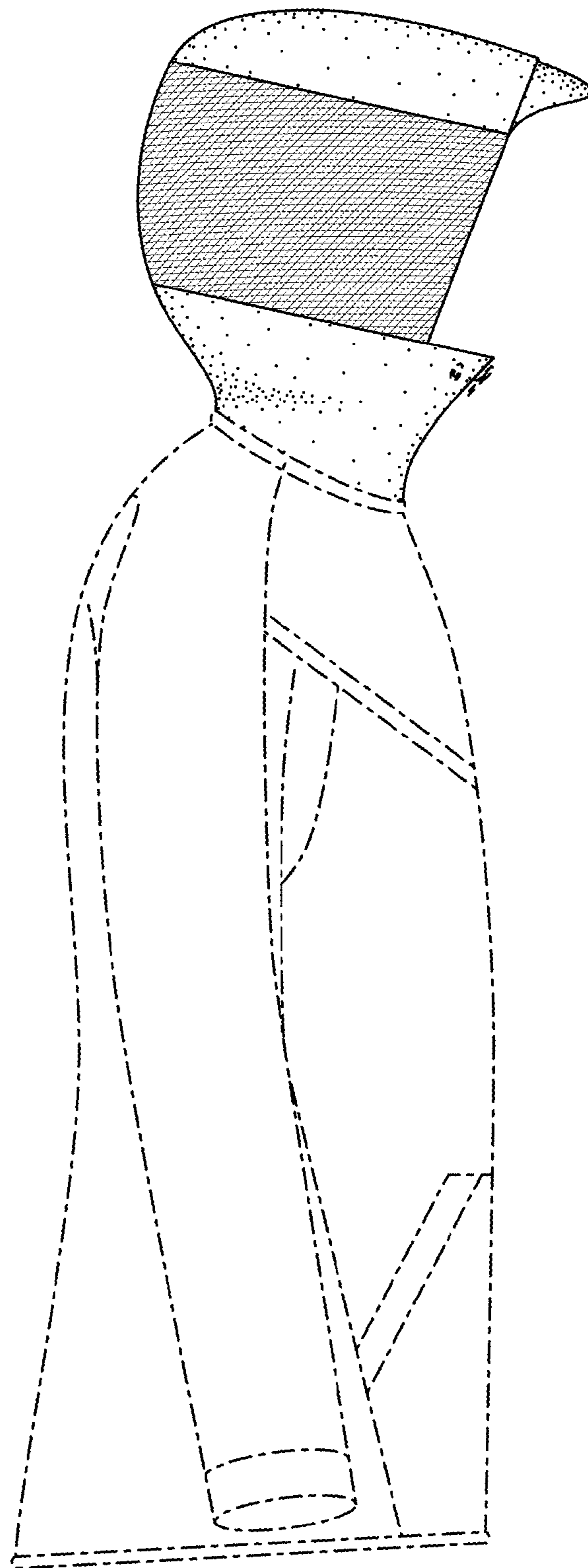


FIG. 5

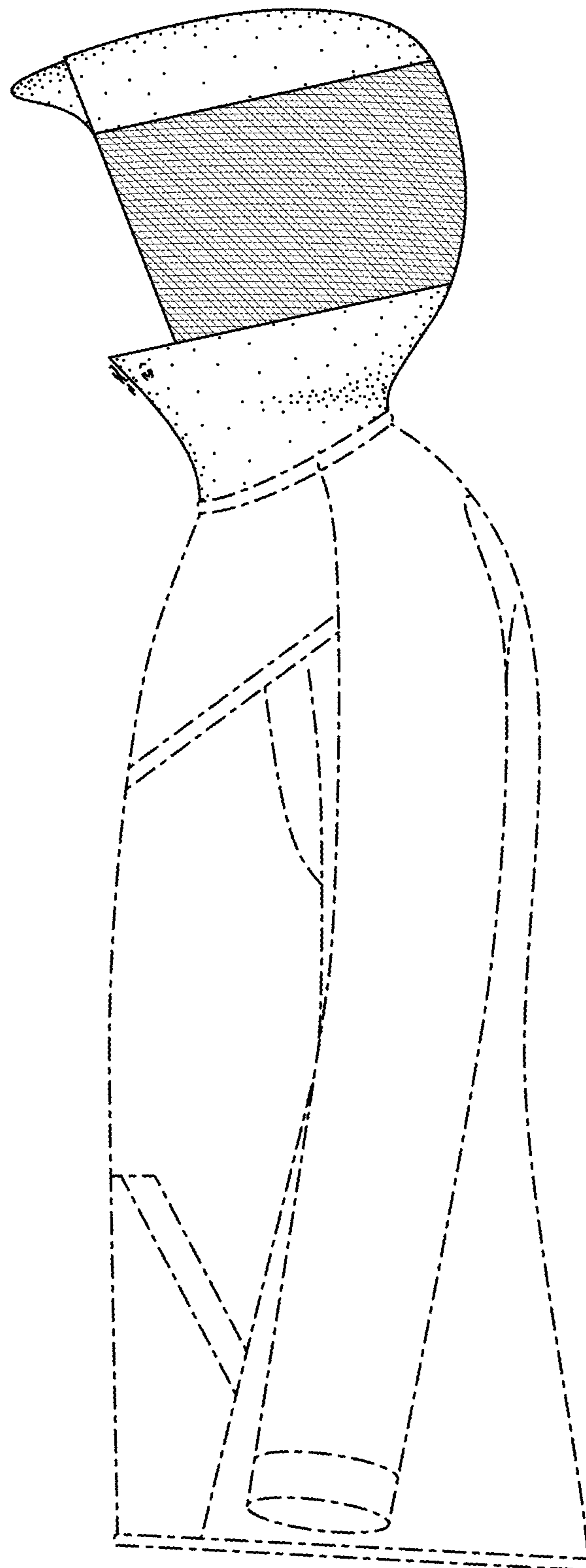


FIG. 6

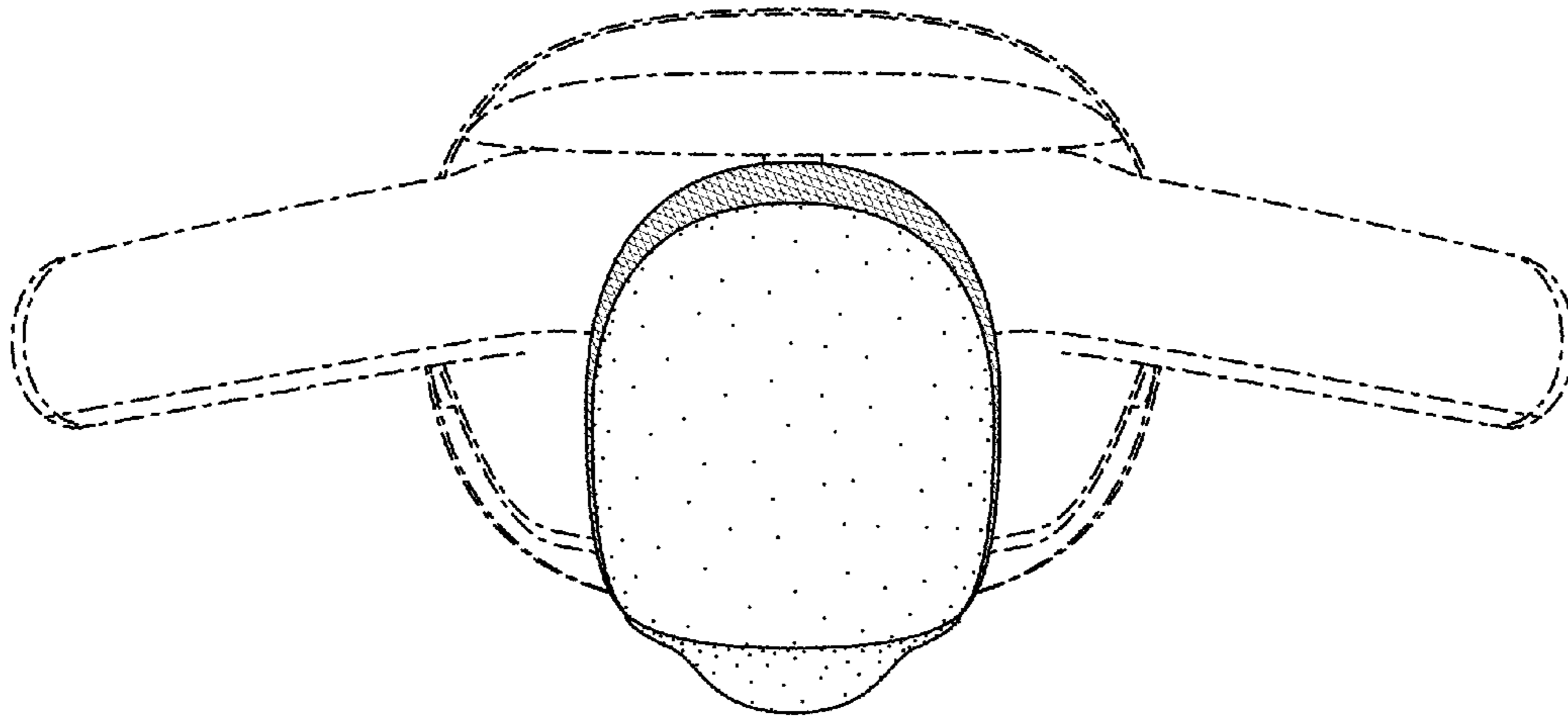


FIG. 7

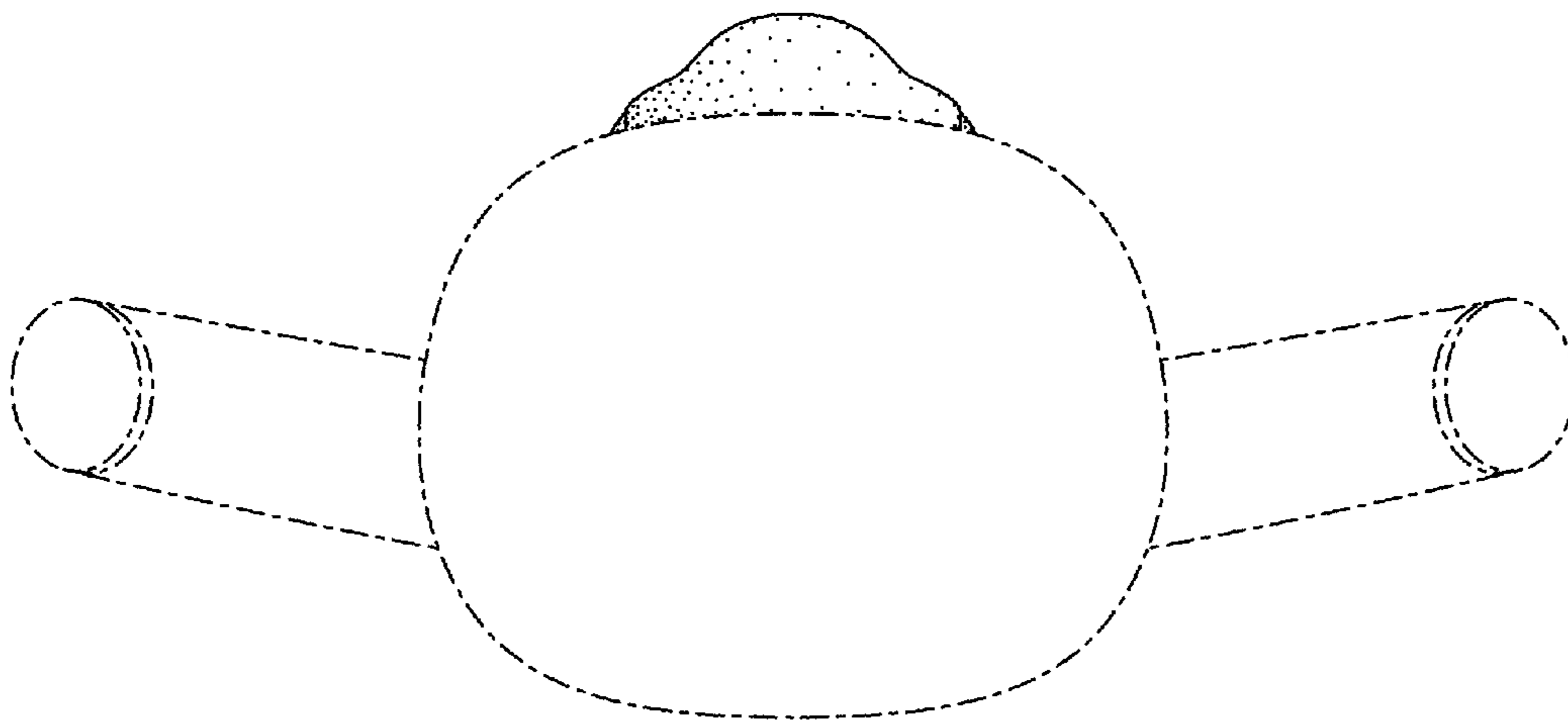


FIG. 8