



US00D775787S

(12) **United States Design Patent** (10) **Patent No.:** **US D775,787 S**
Darby (45) **Date of Patent:** **** Jan. 10, 2017**

(54) **WAIST BAND**

(71) Applicant: **NIKE, Inc.**, Beaverton, OR (US)

(72) Inventor: **Christian Darby**, Beaverton, OR (US)

(73) Assignee: **NIKE, Inc.**, Beaverton, OR (US)

(**) Term: **14 Years**

(21) Appl. No.: **29/525,658**

(22) Filed: **Apr. 30, 2015**

(51) **LOC (10) Cl.** **02-02**

(52) **U.S. Cl.**

USPC **D2/815**

(58) **Field of Classification Search**

USPC D2/712-713, 731-732, 737-738,
D2/742-745, 747, 749, 853, 854,
D2/861-864; 2/22-24, 62, 69, 80-83,
2/401, 403-405, 20-221, 227, 229-230,
2/234-238, 247, 2/919; 602/61

CPC A63B 71/1225; A41D 13/012; A41D 13/065;
A41D 13/0017; A41D 1/06; A41D 1/08;
A41D 1/086; A41D 7/00; F41H 1/02

See application file for complete search history.

(56) **References Cited**

U.S. PATENT DOCUMENTS

- D70,627 S 7/1926 Schaffer
- D92,026 S 4/1934 Sachs
- D92,027 S 4/1934 Sachs
- D92,028 S 4/1934 Sachs
- 4,555,245 A * 11/1985 Armbruster A61F 5/4401
2/403
- D291,005 S 7/1987 Berlese

(Continued)

OTHER PUBLICATIONS

Nike Apparel Catalog, Fall 2010 Kids, p. 2, published date unknown, but prior to the filing date of the present application, NIKE, Inc., USA.

(Continued)

Primary Examiner — Manpreet Matharu

Assistant Examiner — Keith Wilson

(74) *Attorney, Agent, or Firm* — Banner & Witcoff, Ltd.

(57) **CLAIM**

The ornamental design for a waist band, as shown and described.

DESCRIPTION

FIG. 1 is a perspective view of waist band showing my new design, shown in the environment of shorts;

FIG. 2 is a rear perspective view thereof;

FIG. 3 is a front view thereof;

FIG. 4 is a rear view thereof;

FIG. 5 is a side view thereof;

FIG. 6 is a second side view thereof;

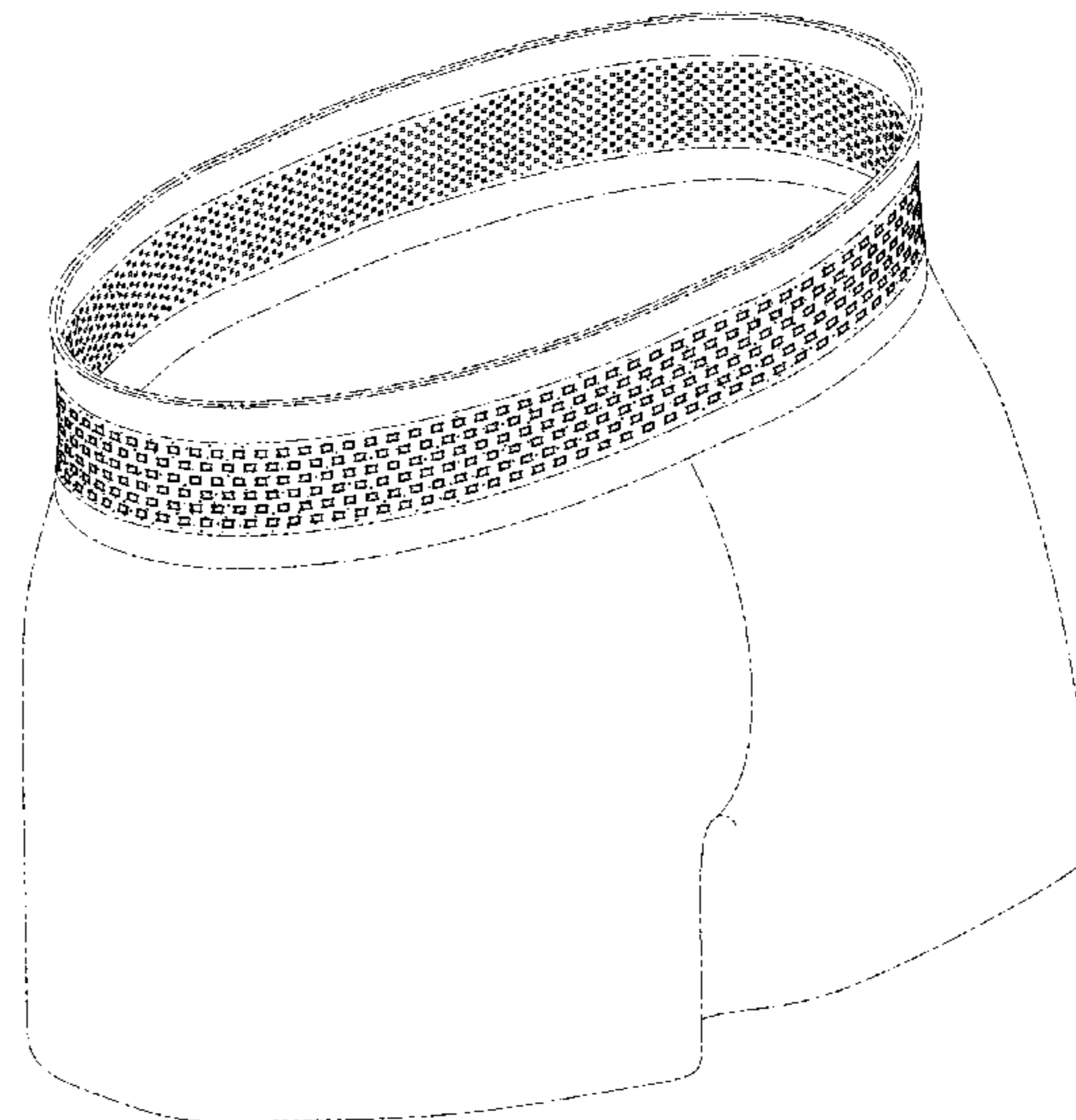
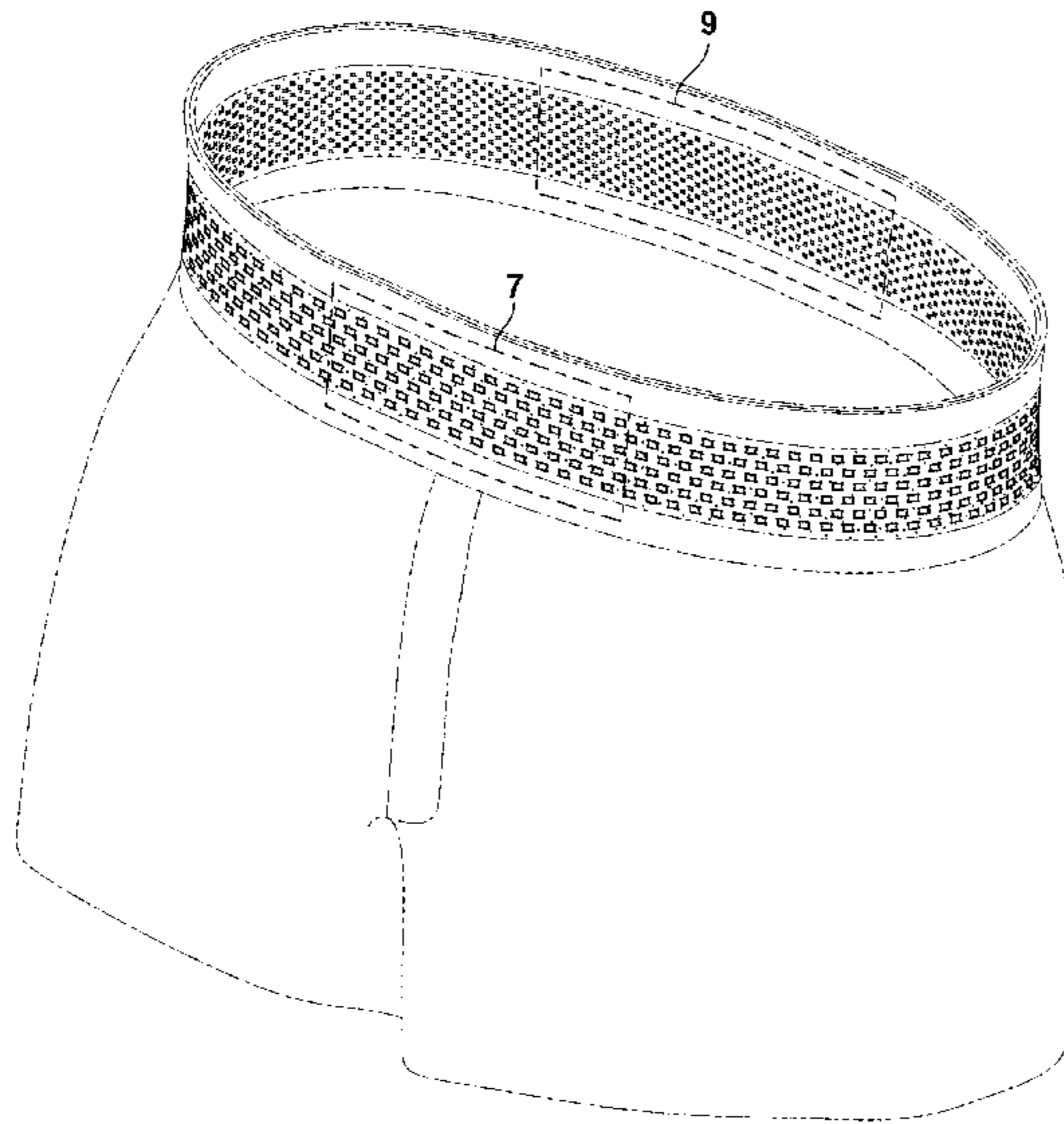
FIG. 7 is an enlarged view of the segment of the callout region of FIG. 1 designated by callout region 7 shown in isolation from the remainder of the environment thereof;

FIG. 8 is an enlarged view of the segment of the callout region of FIG. 3 designated by callout region 8 shown in isolation from the remainder of the environment thereof; and,

FIG. 9 is an enlarged view of the segment of the callout region of FIG. 1 designated by callout region 9 shown in isolation from the remainder of the environment thereof.

The broken lines immediately adjacent to the shaded area represent unclaimed boundaries of the design. The broken lines showing the remainder of the waist band and the unshaded areas are for environmental purposes only and form no part of the claimed design. The broken lines showing thickness shown in the FIG. 7 and FIG. 9 are for environmental purposes only and form no part of the claimed design.

1 Claim, 8 Drawing Sheets



(56)

References Cited

U.S. PATENT DOCUMENTS

4,894,869 A * 1/1990 Boll A41D 13/1254
2/400
5,016,291 A * 5/1991 Capper A41F 9/002
2/221
D340,345 S 10/1993 Russell
D359,158 S 6/1995 Miramontes
5,867,836 A * 2/1999 Quinones A41F 9/02
2/221
D409,357 S 5/1999 Hirata
D476,464 S 7/2003 Jenkins
D480,536 S 10/2003 Codere
7,043,771 B1 * 5/2006 Alessi A41B 9/02
2/403
D544,677 S 6/2007 Wuolu, Jr.
D578,742 S 10/2008 Cho
D592,836 S 5/2009 Cho
D630,413 S 1/2011 Calabria
D683,521 S 6/2013 Garcia
D710,570 S 8/2014 Ziehl
D747,844 S * 1/2016 Dawson D2/712
2004/0122344 A1 * 6/2004 Nelson A63B 71/1216
602/61
2005/0081275 A1 * 4/2005 Galvao A41D 15/005
2/67
2005/0235399 A1 * 10/2005 Kang A41B 9/023
2/403
2006/0021116 A1 * 2/2006 Protting A41F 9/02
2/404
2008/0178369 A1 * 7/2008 Kitsch A41B 9/023
2/405
2010/0058517 A1 * 3/2010 Perolari A41B 9/02
2/404
2012/0311758 A1 * 12/2012 Nicholson A41D 27/20
2/67
2013/0042389 A1 * 2/2013 Bowman A41D 1/06
2/237

2013/0219591 A1 * 8/2013 Gu A41B 9/002
2/405
2013/0276210 A1 * 10/2013 Clarke A41D 1/08
2/220
2013/0305433 A1 * 11/2013 Hedrick A41D 1/22
2/220
2014/0182044 A1 * 7/2014 Cole A41D 27/20
2/69
2014/0196194 A1 * 7/2014 Clarke A41D 1/14
2/237
2014/0196196 A1 * 7/2014 Lee A41B 9/14
2/400

OTHER PUBLICATIONS

Nike Apparel Catalog, Fall 2010 Kids, p. 3, published date unknown, but prior to the filing date of the present application, NIKE, Inc., USA.
Nike Apparel Catalog, Fall 2010 Kids, p. 4, published date unknown, but prior to the filing date of the present application, NIKE, Inc., USA.
Nike Apparel Catalog, Fall 2010, p. 3, published date unknown, but prior to the filing date of the present application, NIKE Inc., USA.
Nike Apparel Catalog, Fall 2010 Kids, p. 5, published date unknown, but prior to the filing date of the present application, Nike, Inc., USA.
Nike Apparel Catalog, Fall 2010, p. 5, published date unknown, but prior to the filing date of the present application, NIKE, Inc., USA.
Nike Apparel Catalog, Fall 2010 Kids, p. 6, published date unknown, but prior to the filing date of the present application, NIKE, Inc., USA.
Nike Apparel Catalog, Fall 2010 Kids, p. 18, published date unknown, but prior to the filing date of the present application, NIKE, Inc., USA.
Nike Apparel Catalog, Spring 2011 Men's Apparel: Performance, p. 7, published date unknown, but prior to the filing date of the present application, NIKE, Inc., USA.

* cited by examiner

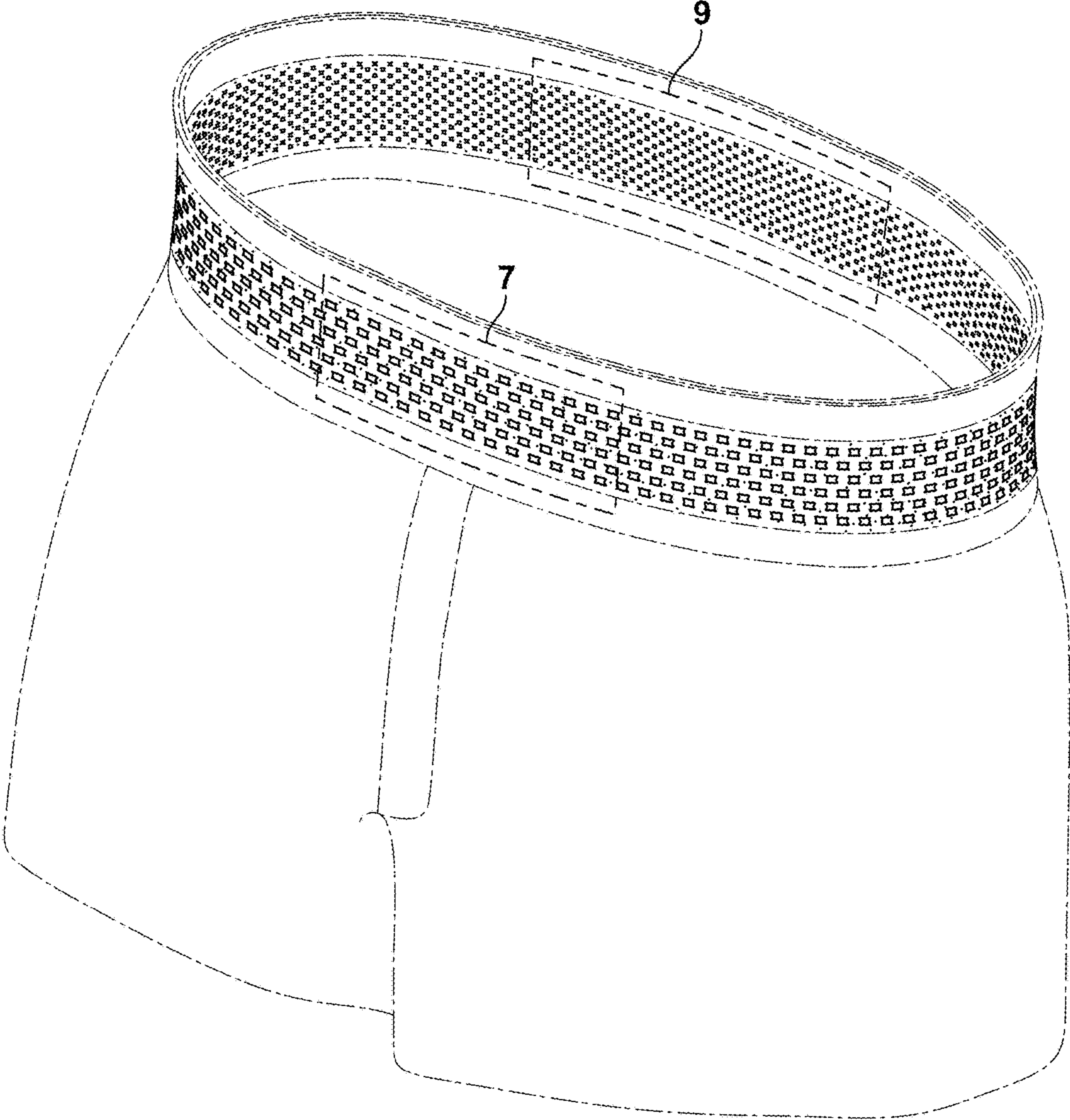


FIG. 1

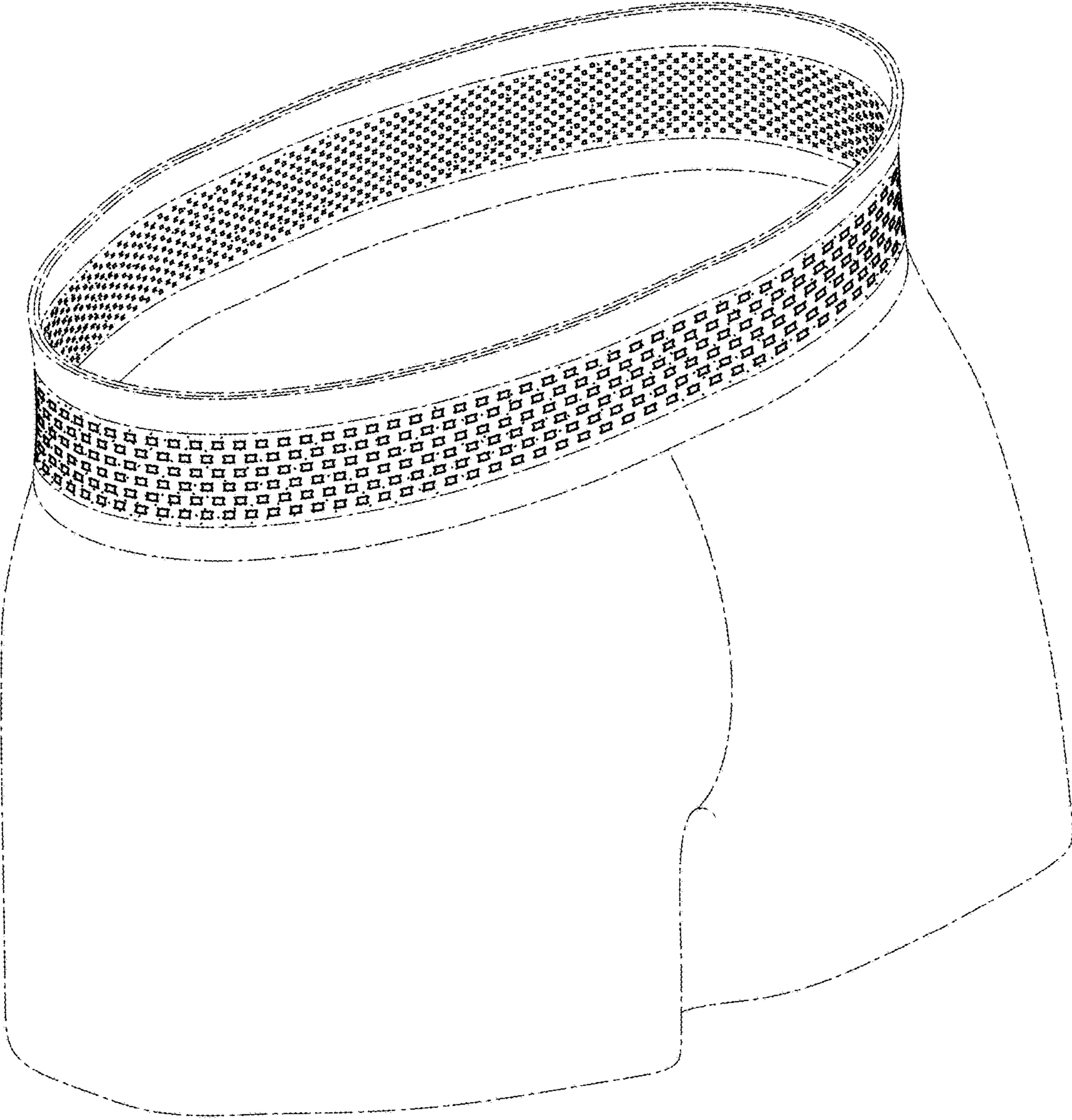


FIG. 2

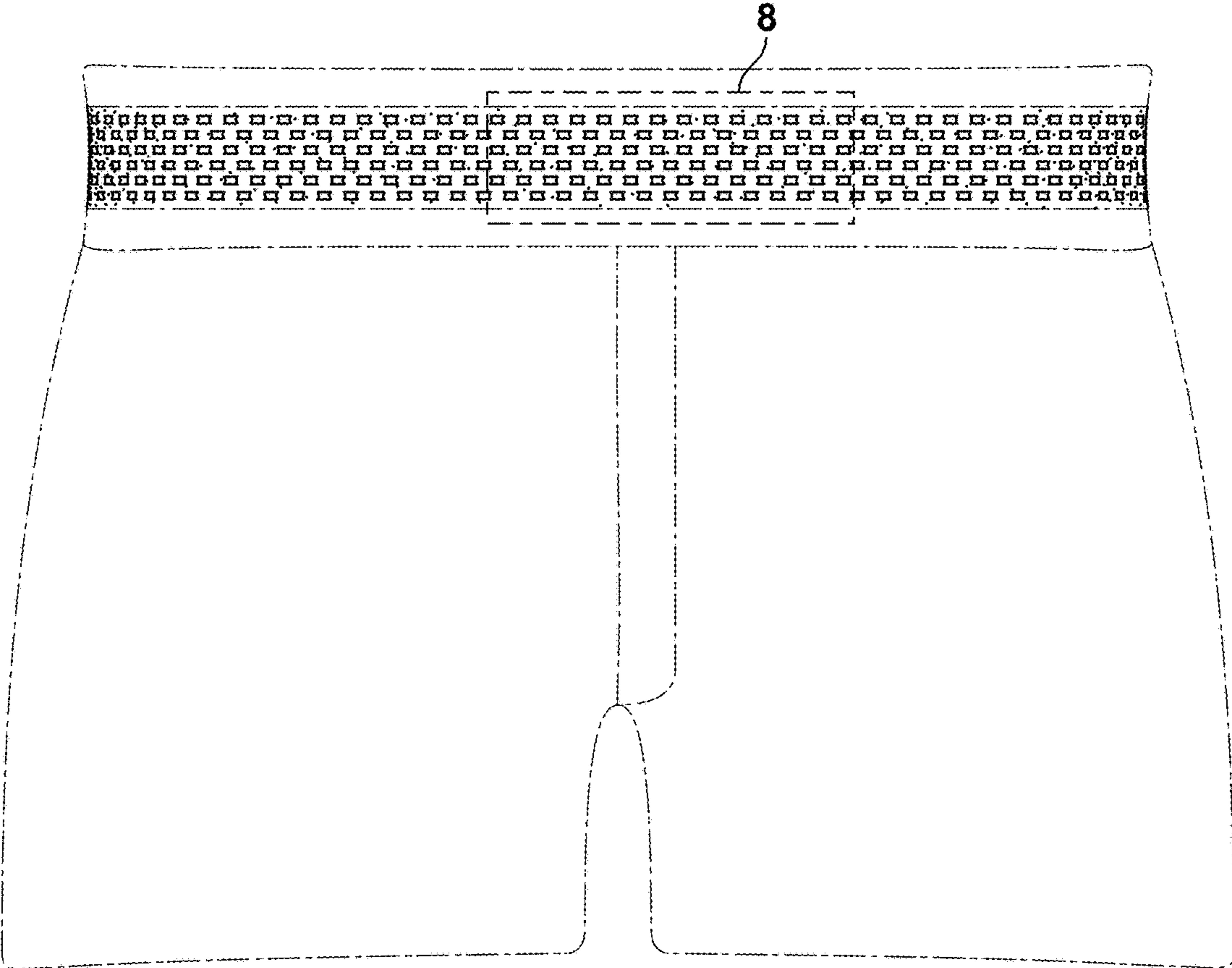


FIG. 3

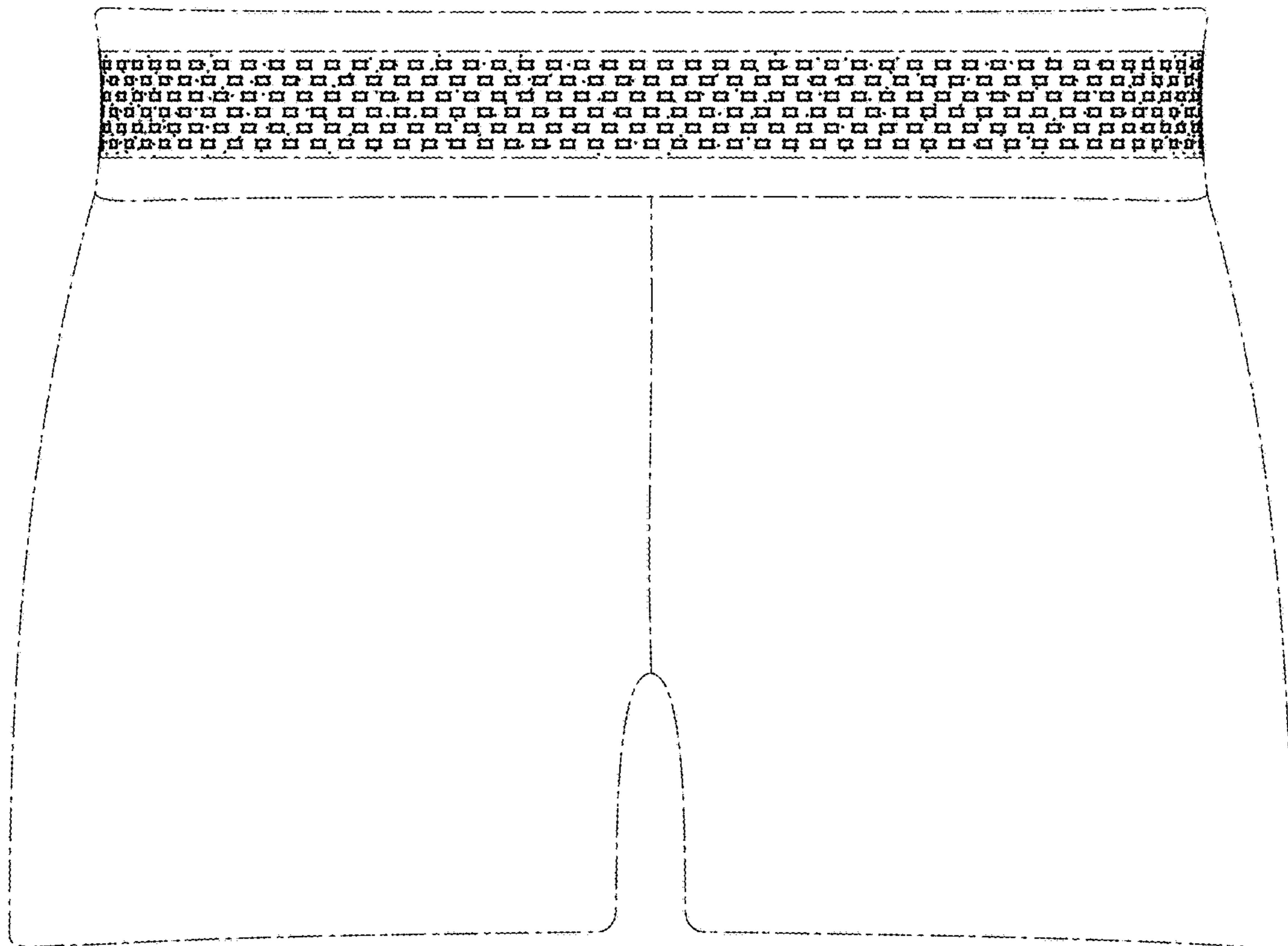


FIG. 4

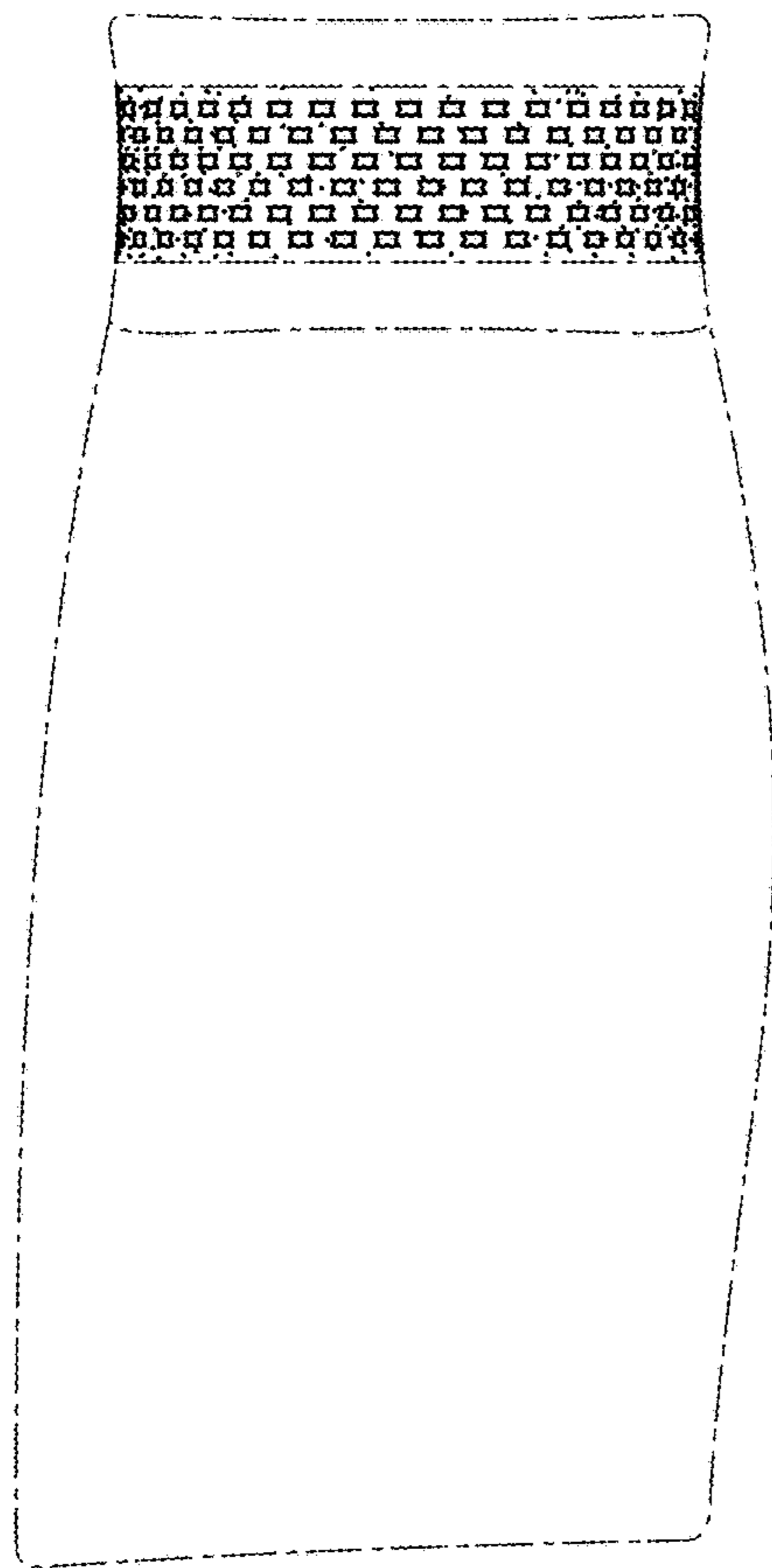


FIG. 5

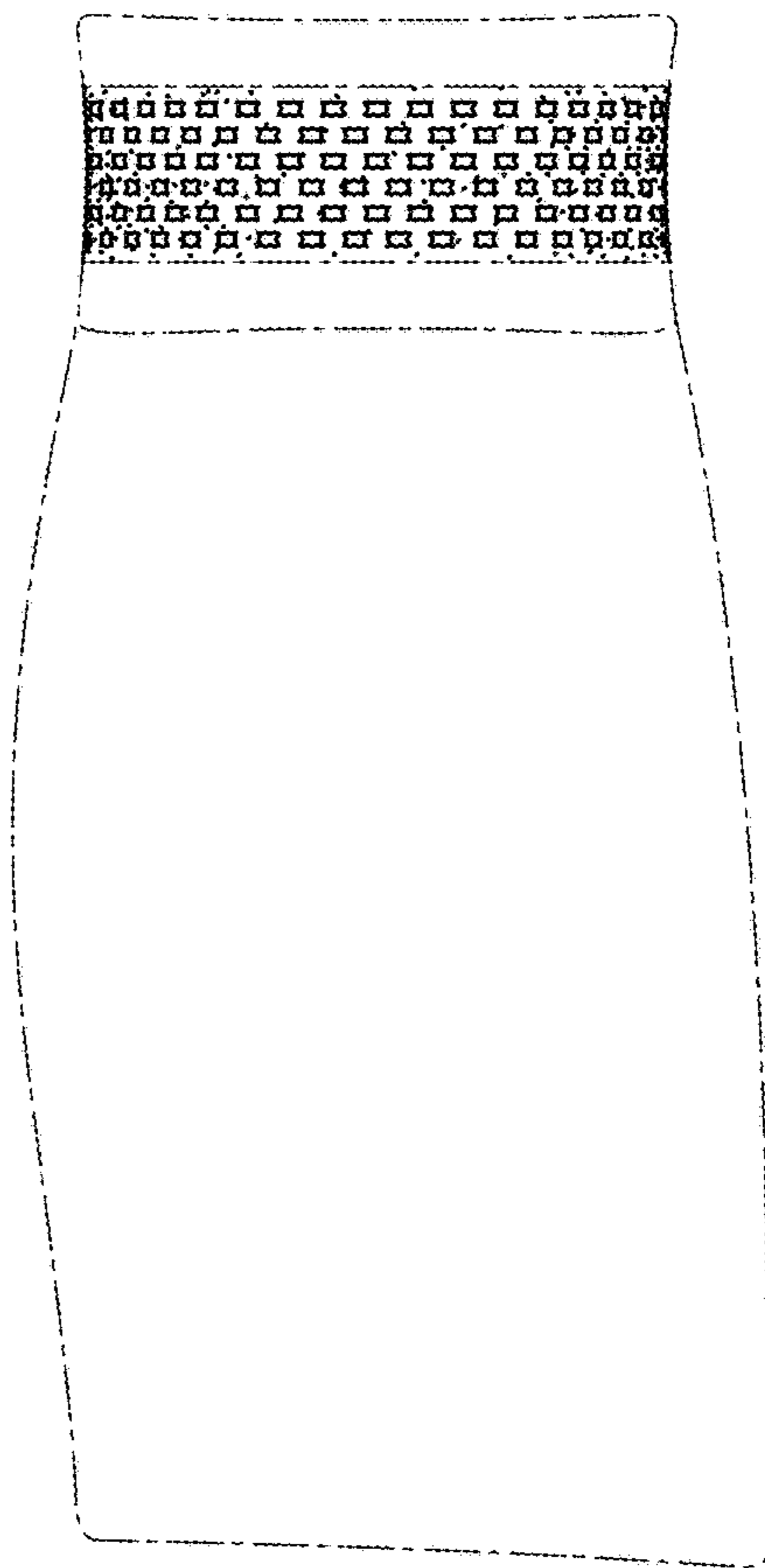


FIG. 6

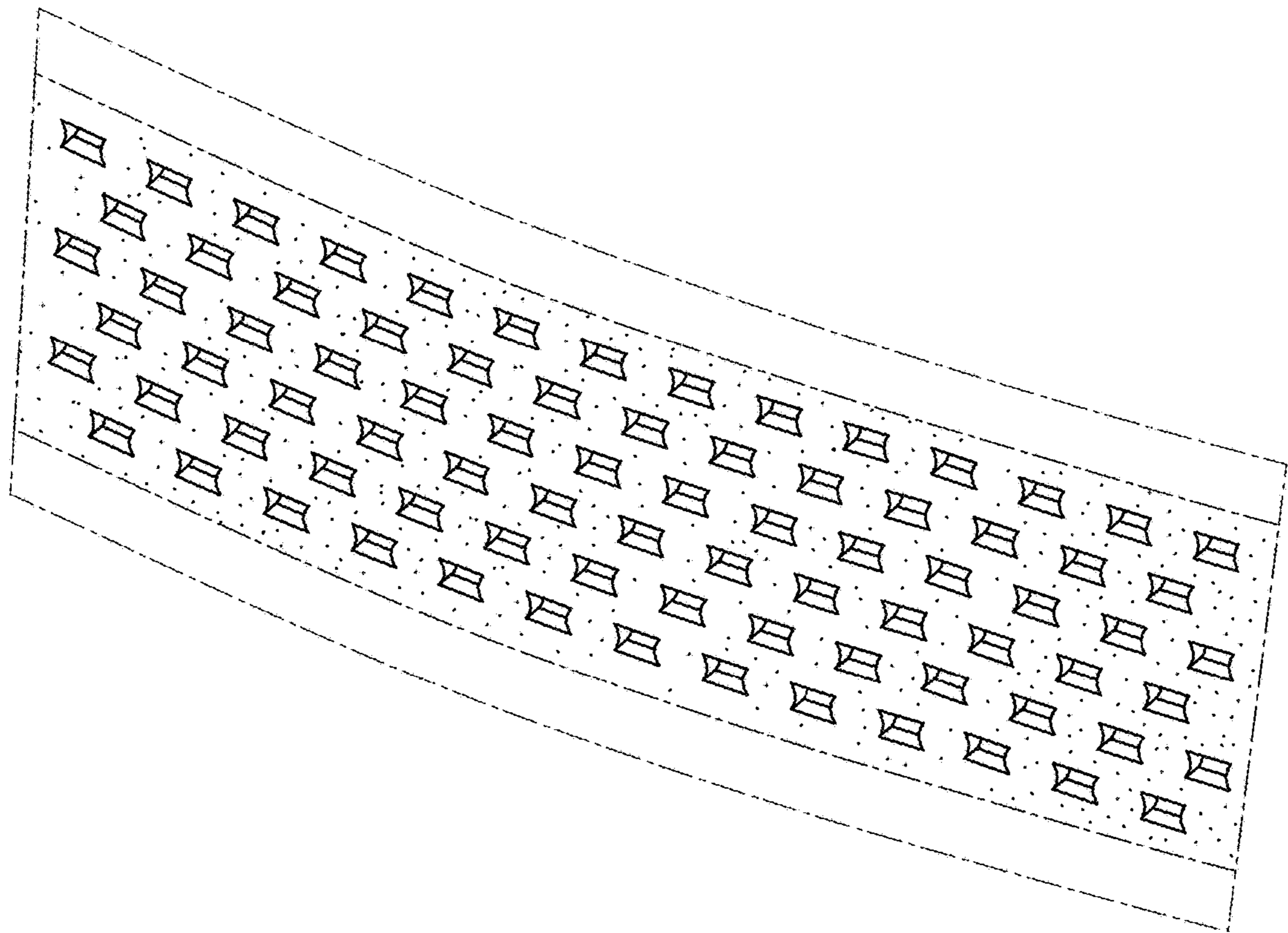


FIG. 7

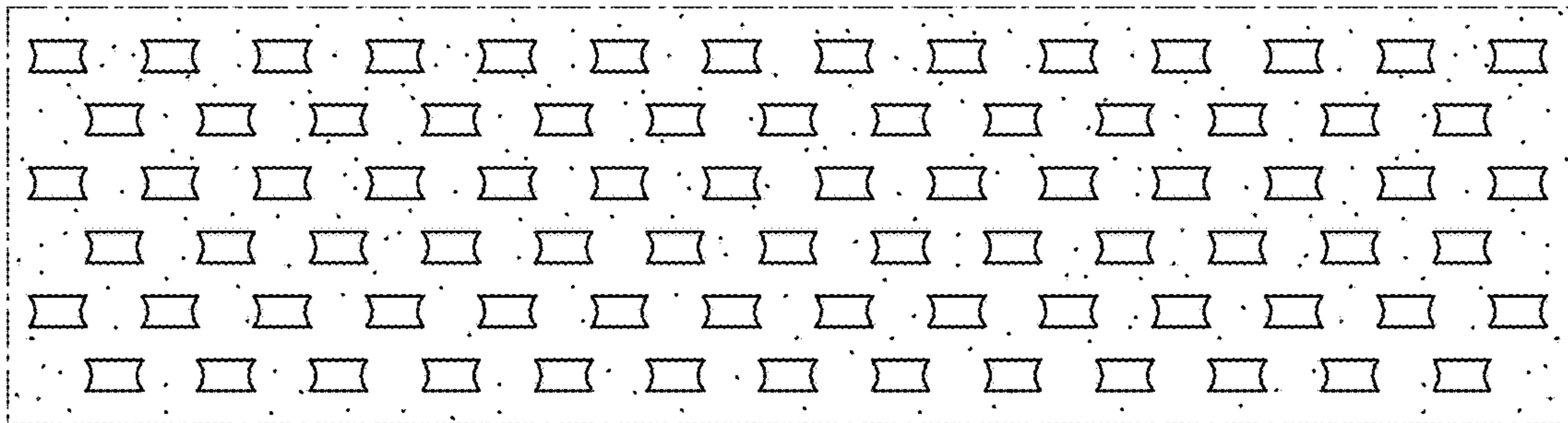


FIG. 8

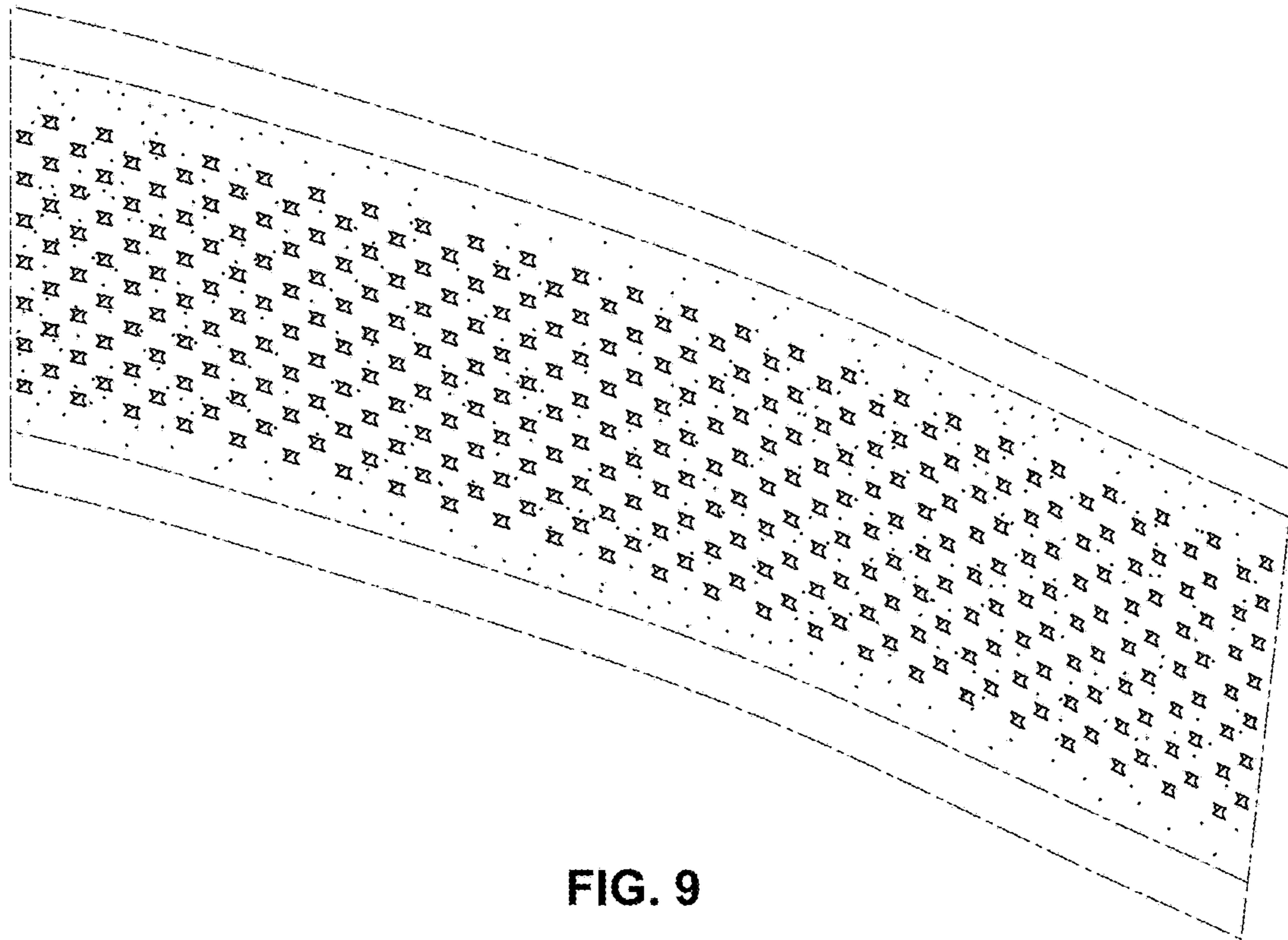


FIG. 9