



US00D775786S

(12) **United States Design Patent**
Trabert

(10) **Patent No.:** **US D775,786 S**
(45) **Date of Patent:** **** Jan. 10, 2017**

(54) **MEDICAL GARMENT**

(71) Applicant: **Kathryn Ann Trabert**, Hawthorne, FL
(US)

(72) Inventor: **Kathryn Ann Trabert**, Hawthorne, FL
(US)

(**) Term: **15 Years**

(21) Appl. No.: **29/542,397**

(22) Filed: **Oct. 14, 2015**

(51) **LOC (10) Cl.** **02-02**

(52) **U.S. Cl.**
USPC **D2/739**

(58) **Field of Classification Search**
USPC D2/717, 718, 720, 739, 741, 749-755,
D2/828, 836, 837, 839-850
CPC A41D 1/18; A41D 1/02; A41D 3/02;
A41D 3/04; A41D 10/00; A41D 13/00;
A41D 13/0012; A41D 13/0025; A41D
13/005; A41D 13/0051; A41D 13/0053;
A41D 13/0055; A41D 13/0056; A41D
13/0058
See application file for complete search history.

(56) **References Cited**

U.S. PATENT DOCUMENTS

D590,130 S *	4/2009	Rhodes	D2/717
D596,829 S *	7/2009	Miller	D2/717
D674,576 S *	1/2013	Johnson	D2/840
D674,578 S *	1/2013	Glass	D2/731
D688,849 S *	9/2013	Kochling	D2/840

D689,258 S *	9/2013	DeLeon	D2/717
D690,086 S *	9/2013	Estes	D2/840
D698,125 S *	1/2014	Howard	D2/847
D698,126 S *	1/2014	Howard	D2/847
D698,127 S *	1/2014	Cheatham	D2/847

* cited by examiner

Primary Examiner — Cathron Brooks

Assistant Examiner — Aula Soroush

(57) **CLAIM**

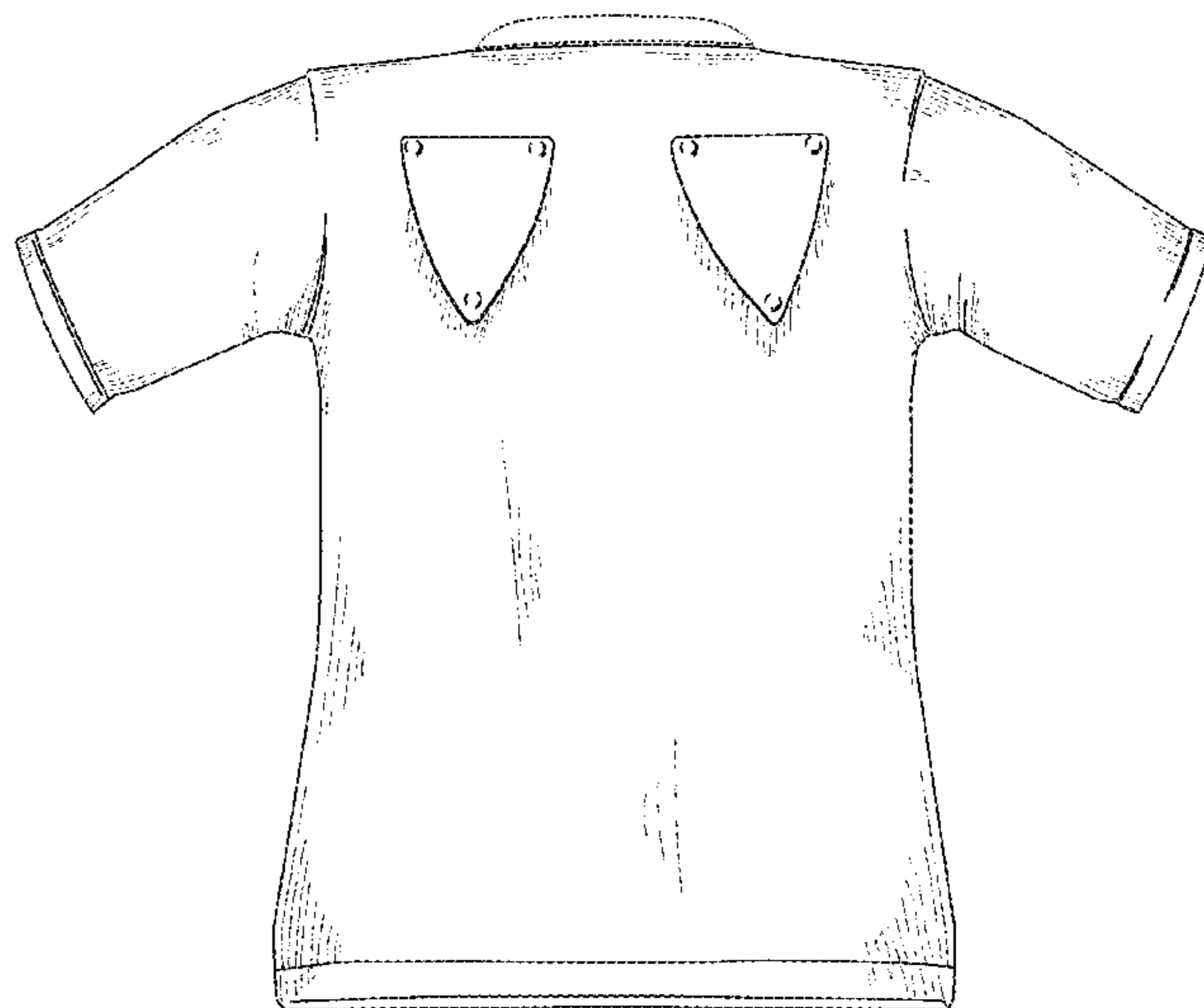
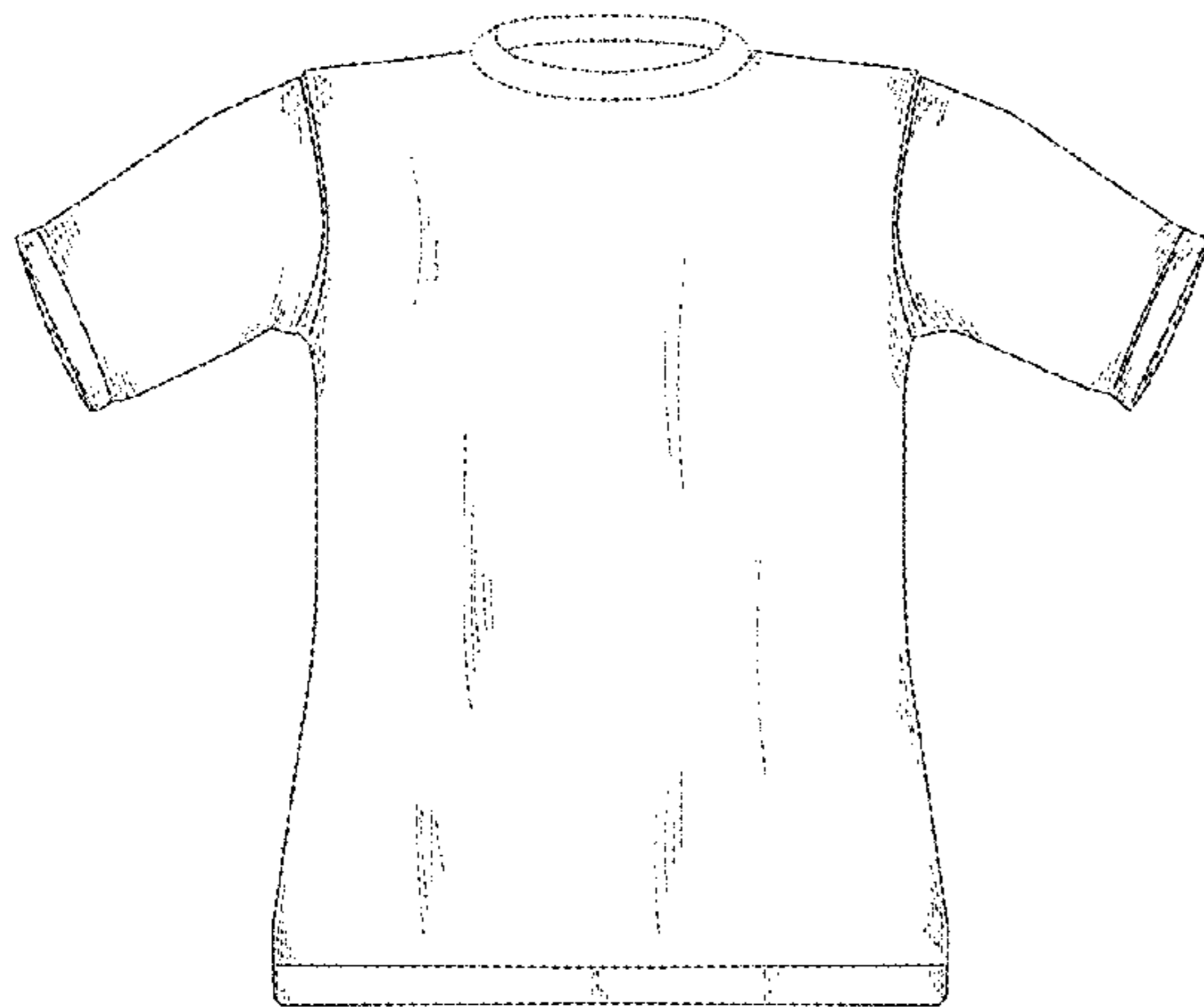
The ornamental design for a medical garment, as shown and described.

DESCRIPTION

FIG. 1 is a front elevational view of a medical garment showing my new design;
FIG. 2 is a right side elevational view thereof;
FIG. 3 is a rear elevational view thereof;
FIG. 4 is a left side elevational view thereof;
FIG. 5 is a top plan view thereof;
FIG. 6 is a bottom plan view thereof;
FIG. 7 is a perspective view thereof;
FIG. 8 is a rear perspective view showing the present invention with the a pair of covers removed;
FIG. 9 is a cutaway front right perspective view thereof, showing the rear interior of the present invention;
FIG. 10 is a cutaway front left perspective view thereof; and,
FIG. 11 is a cutaway rear perspective view thereof, showing the front interior of the present invention.

The broken line showing of a collar and fasteners is included for the purpose of illustrating environmental structure and forms no part of the claimed design.

1 Claim, 11 Drawing Sheets



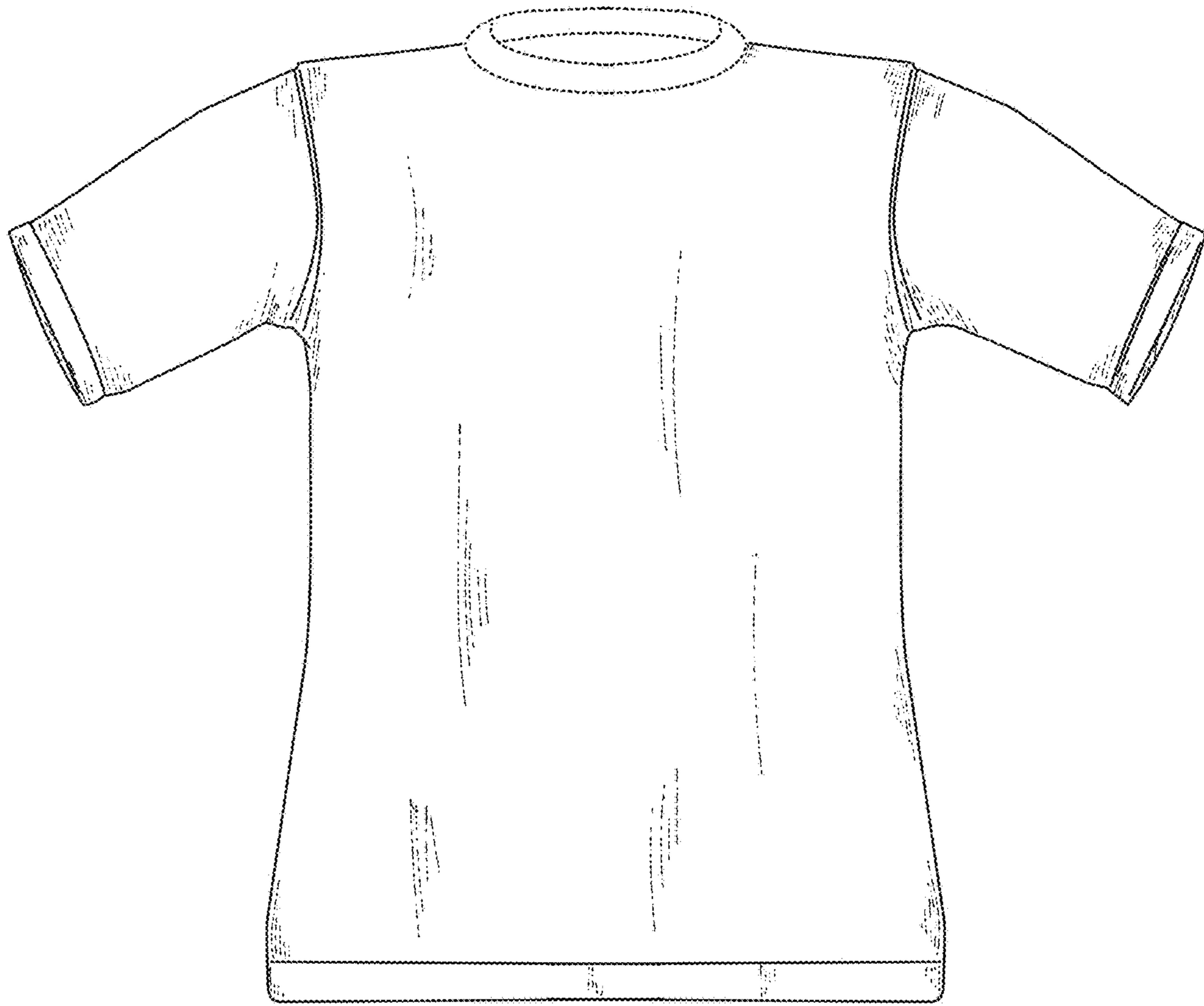


FIG. 1

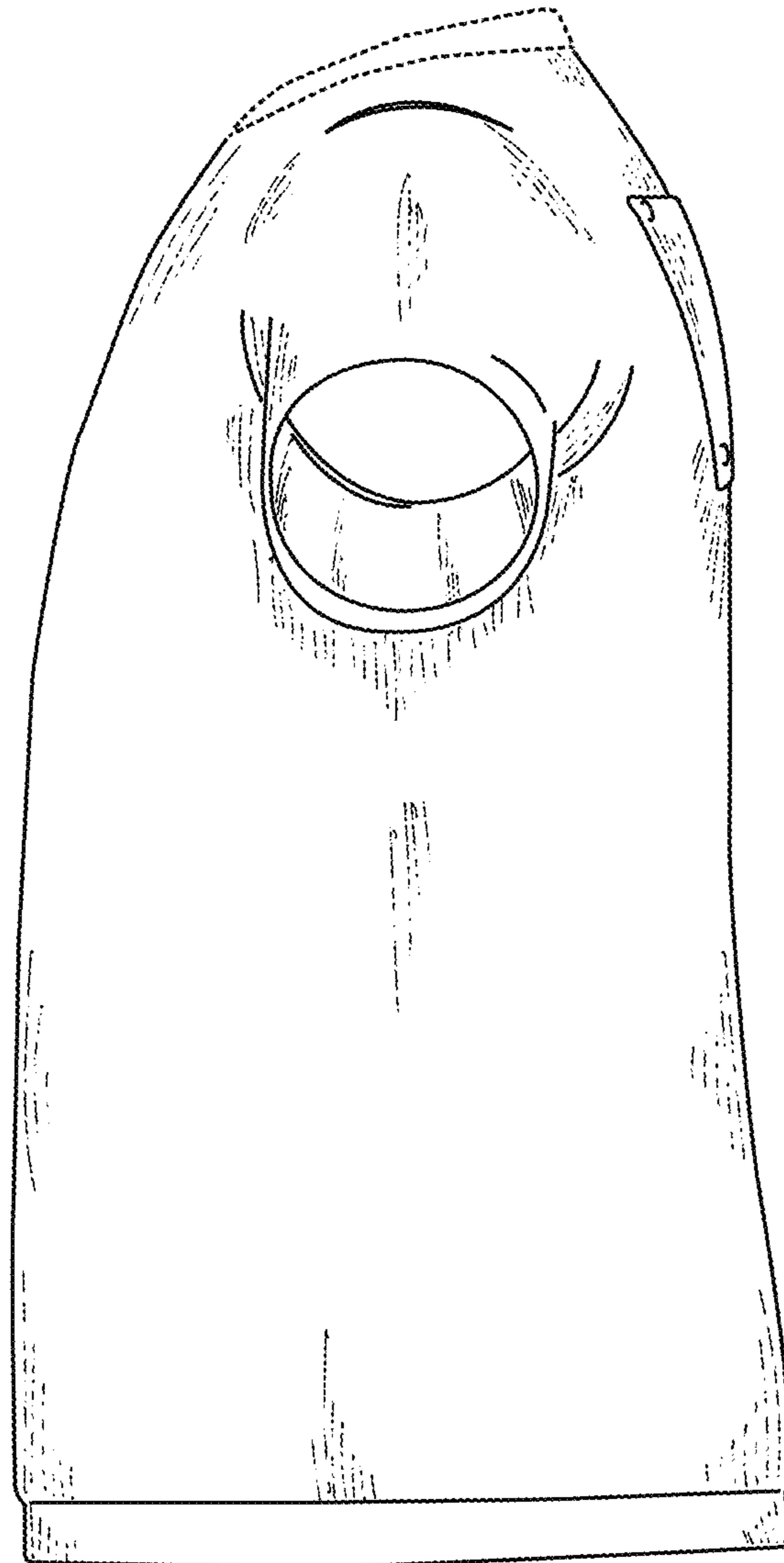


FIG. 2

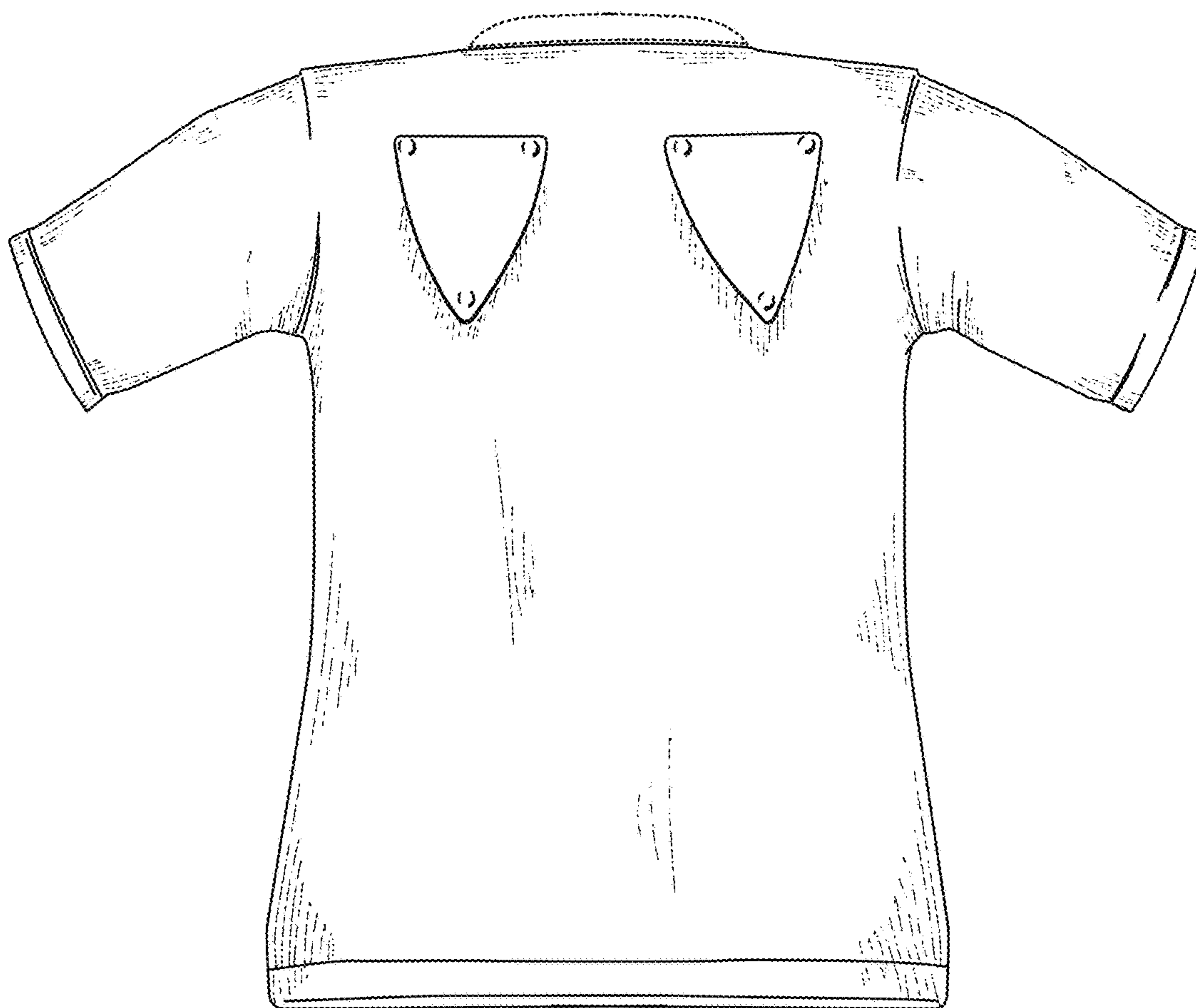


FIG. 3

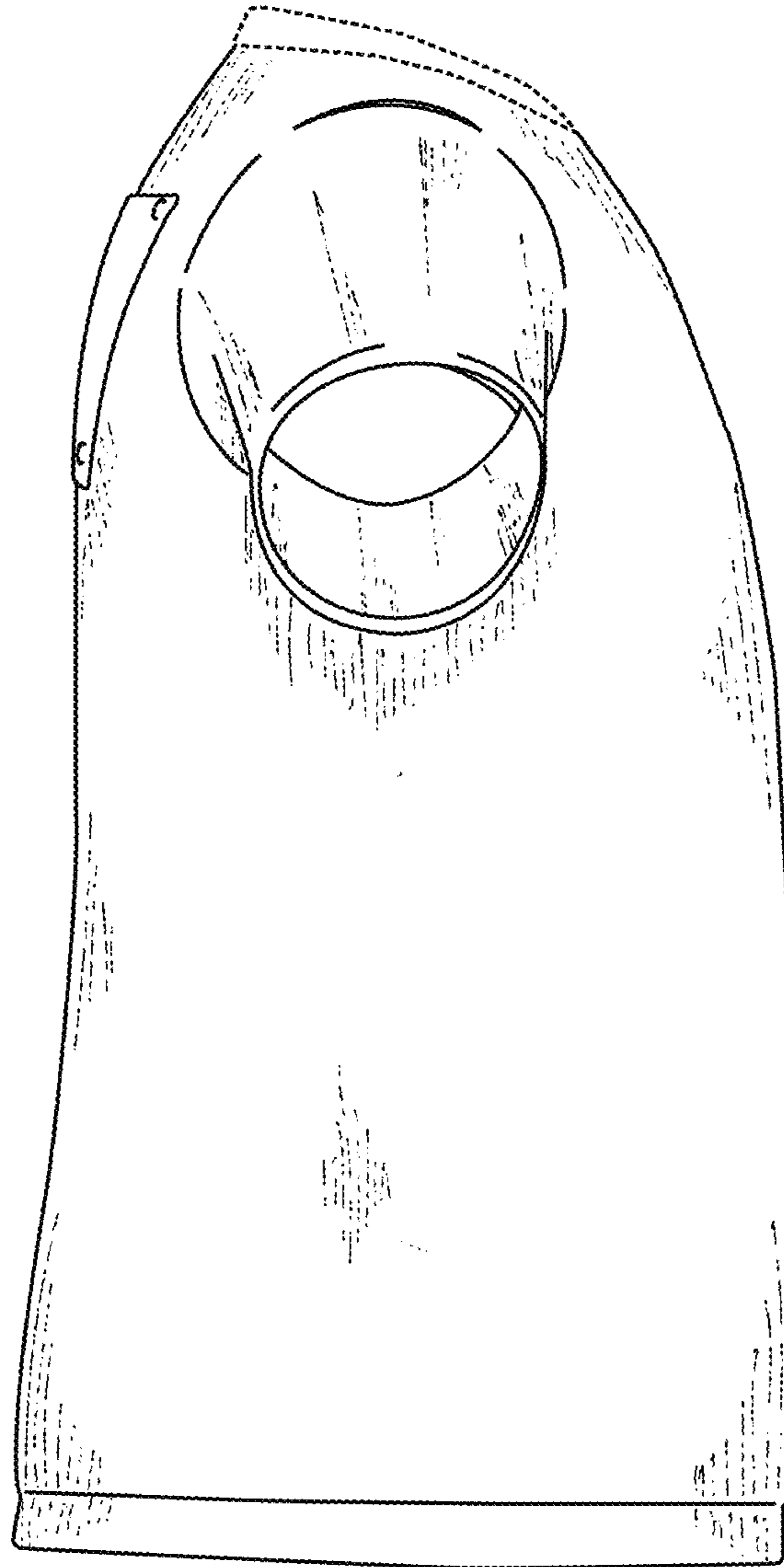


FIG. 4

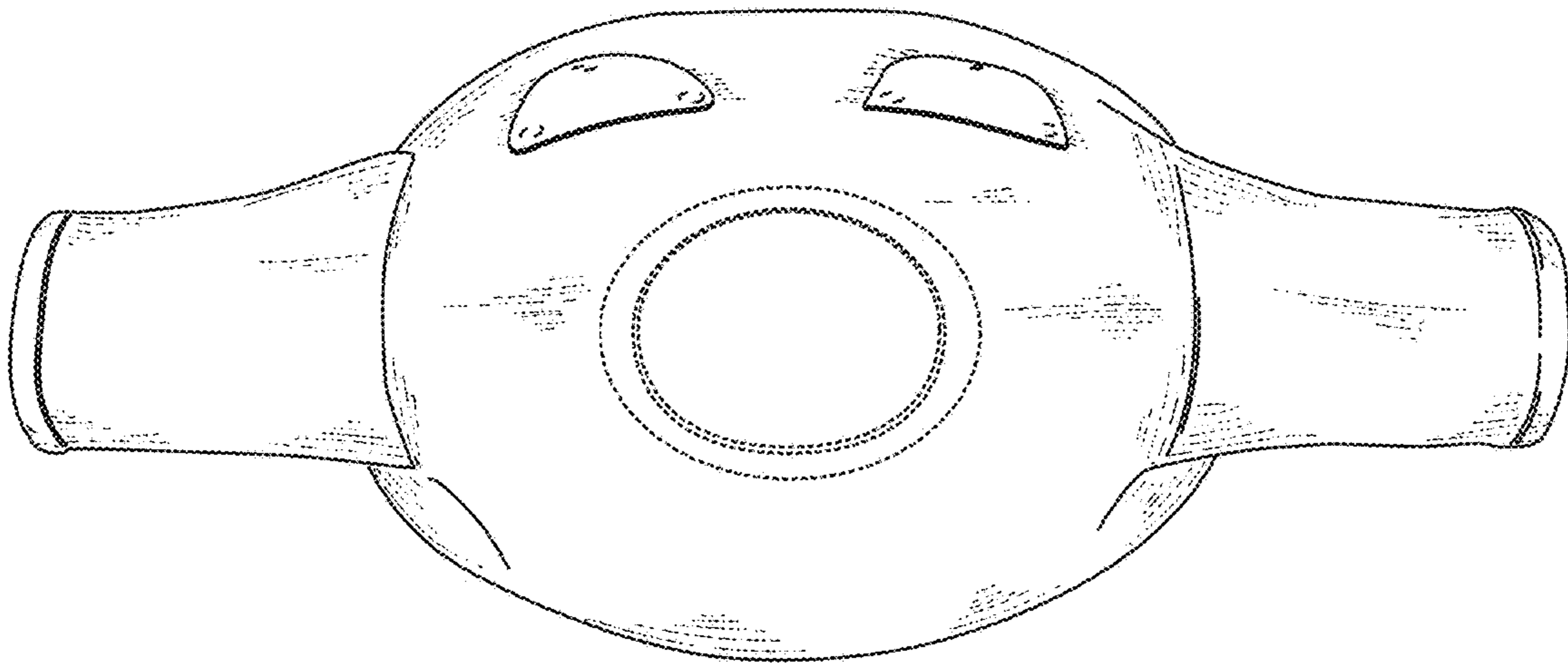


FIG. 5

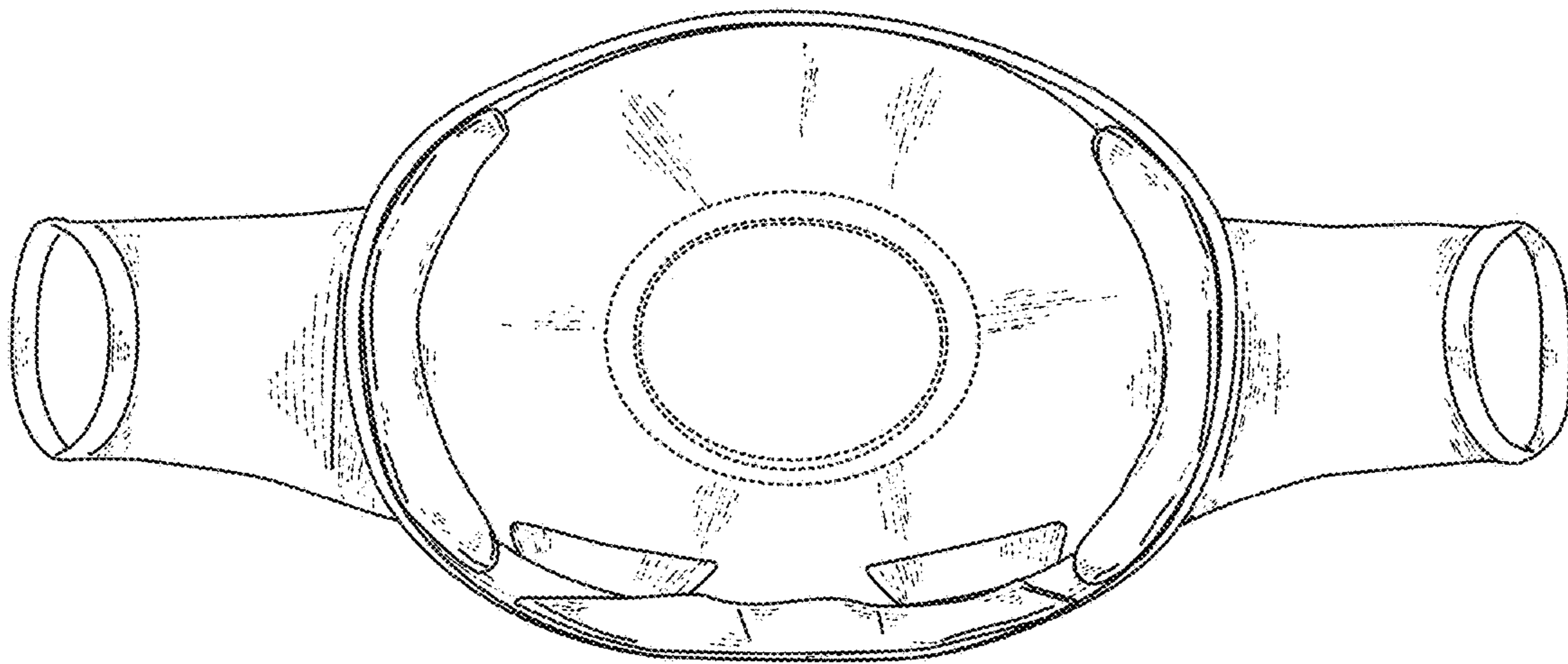


FIG. 6

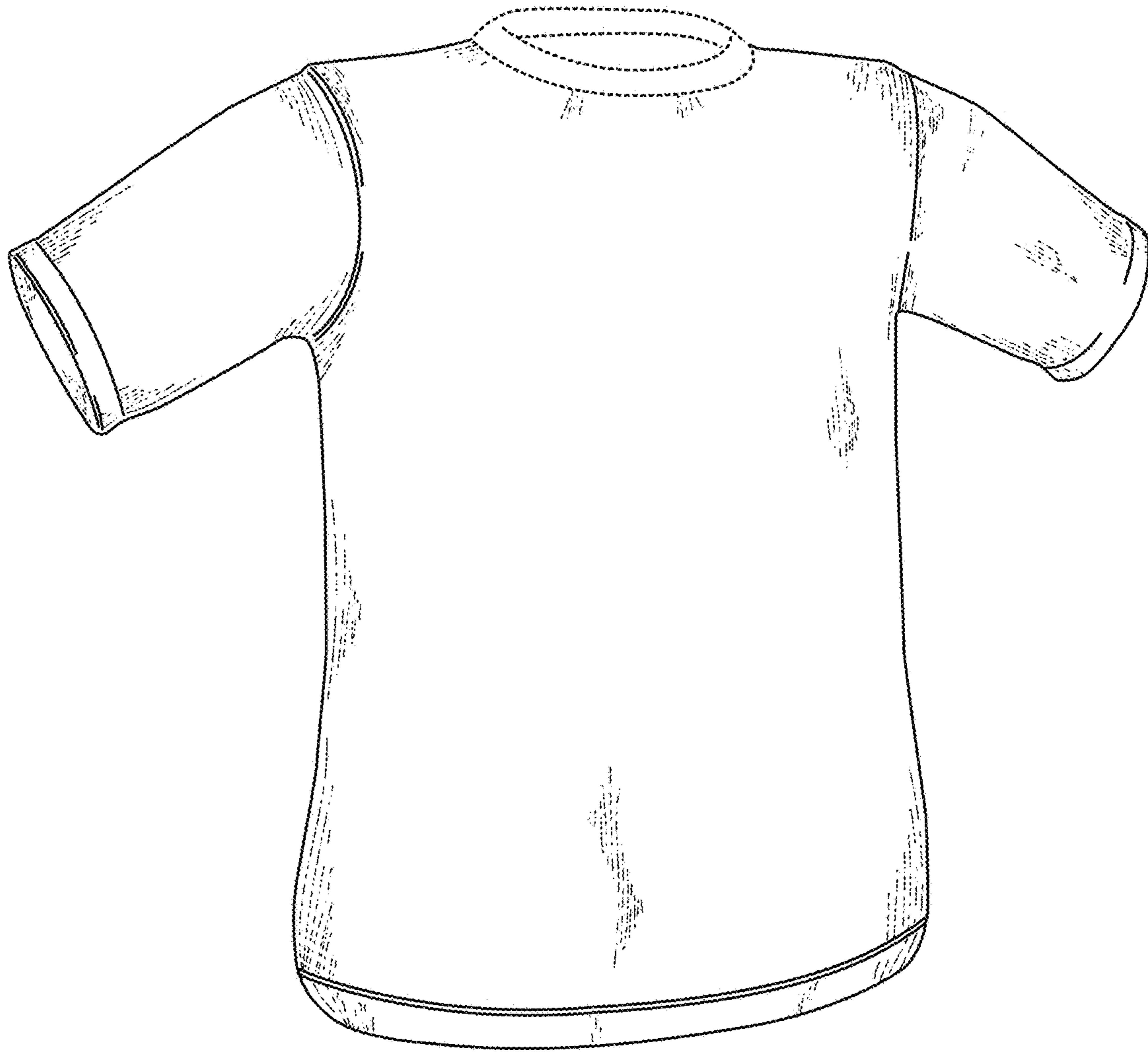


FIG. 7

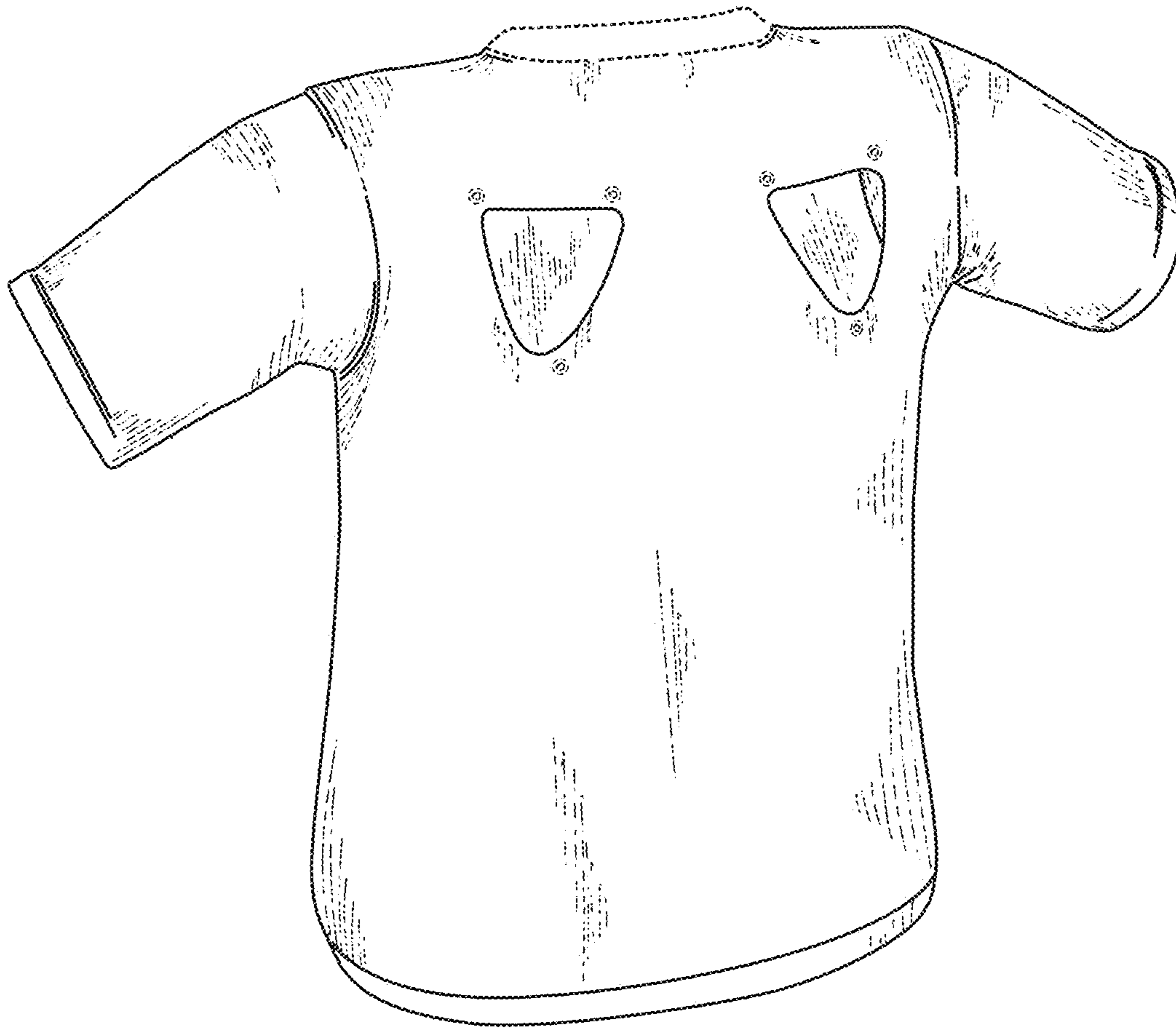


FIG. 8

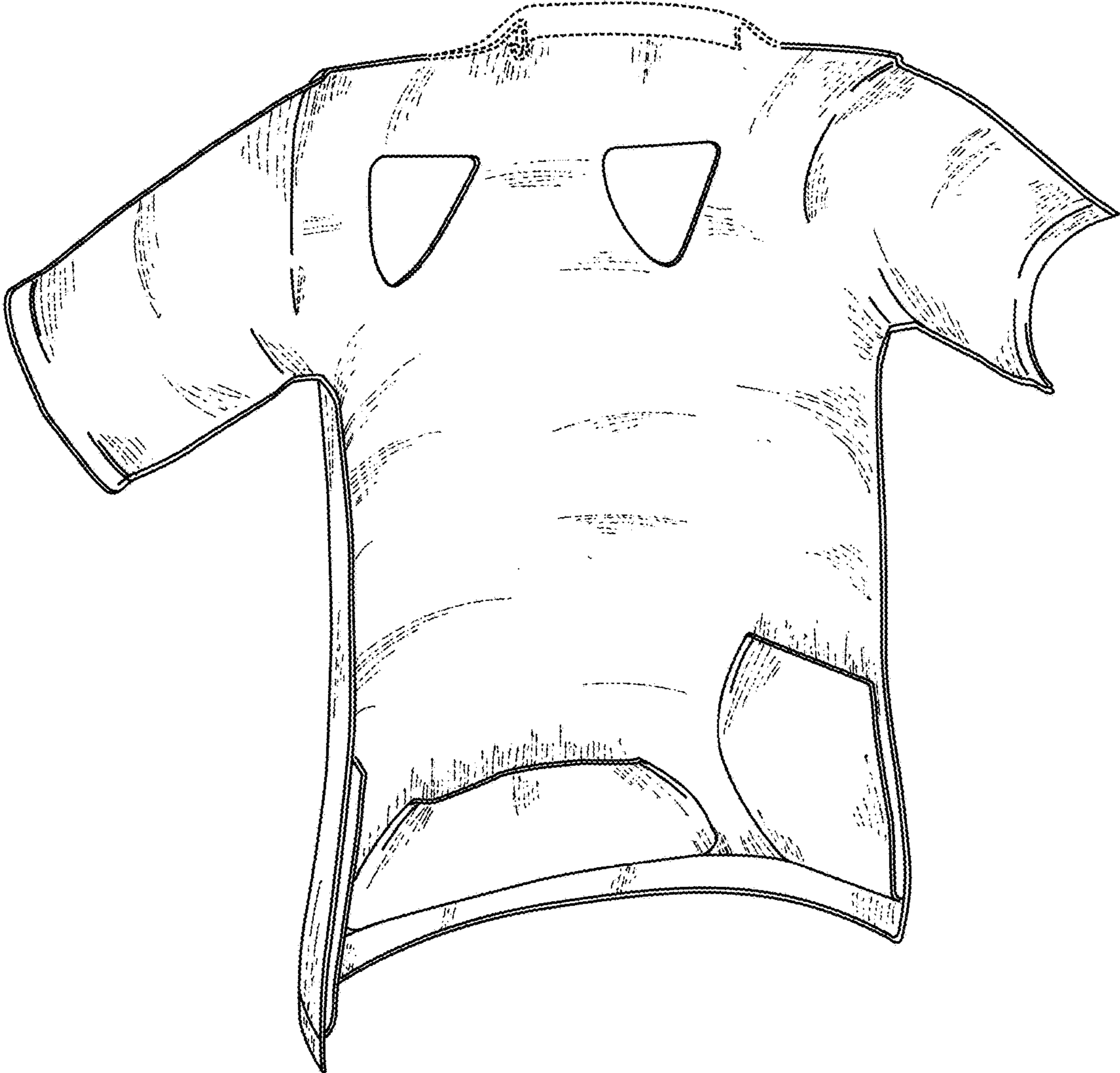


FIG. 9



FIG. 10

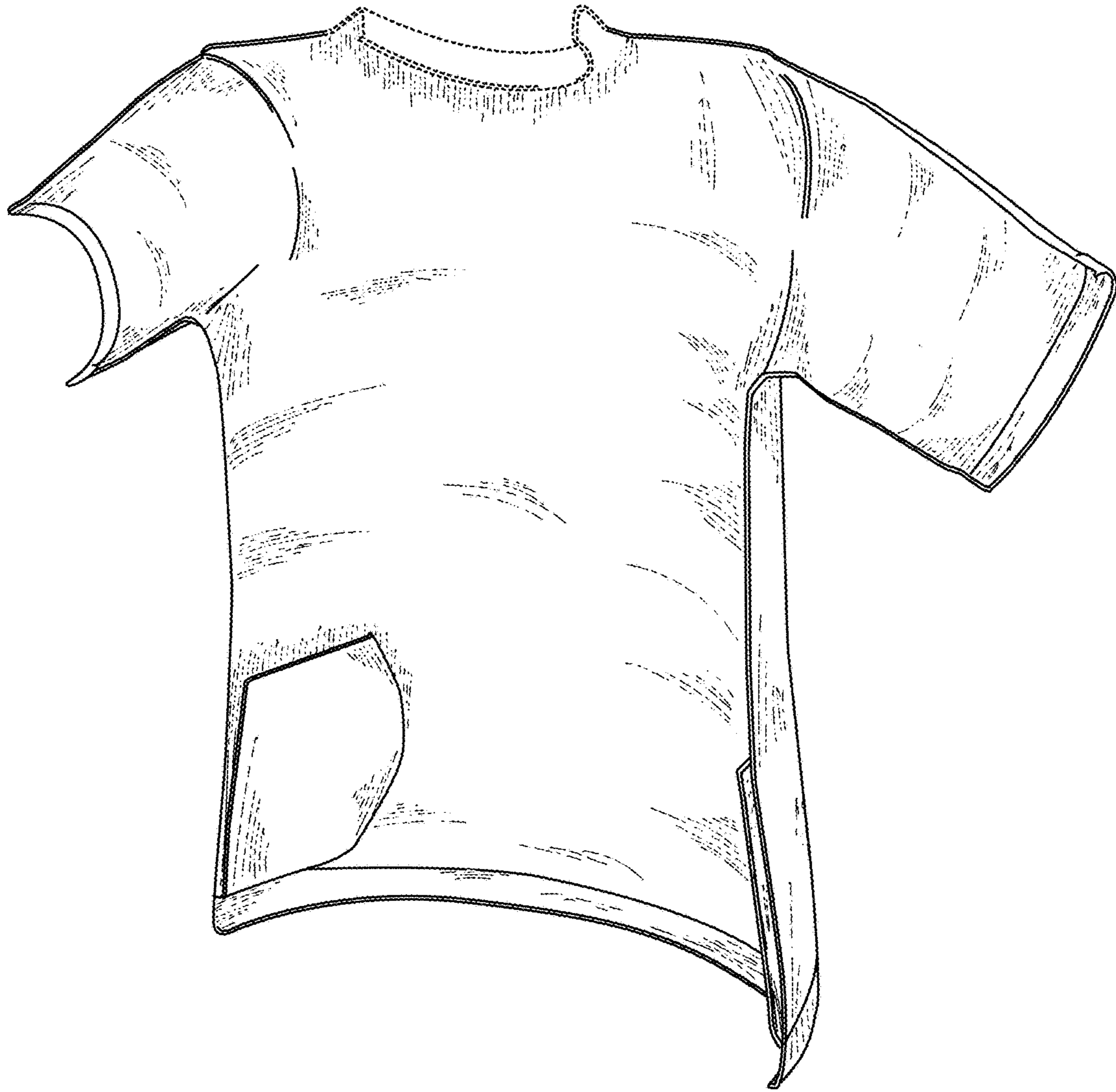


FIG. 11