



US00D775784S

(12) **United States Design Patent** (10) **Patent No.:** **US D775,784 S**
Puni (45) **Date of Patent:** **** Jan. 10, 2017**

(54) **COMPRESSION SHORTS**
(71) Applicant: **Vishal Puni**, Montreal (CA)
(72) Inventor: **Vishal Puni**, Montreal (CA)
(**) Term: **15 Years**

(21) Appl. No.: **29/530,257**
(22) Filed: **Jun. 15, 2015**
(51) **LOC (10) Cl.** **02-02**
(52) **U.S. Cl.**
USPC **D2/731**
(58) **Field of Classification Search**
USPC D2/742, 712, 731, 716, 738; 2/228, 227,
2/400, 404, 238
CPC A41D 1/084; A41D 1/08; A61F 13/66;
A41B 9/001; A41B 9/02; A41B
1/08; A41B 13/0543; A41B 9/00
See application file for complete search history.

(56) **References Cited**

U.S. PATENT DOCUMENTS

4,805,243 A * 2/1989 Gibbens A41D 1/084
2/228
D339,902 S * 10/1993 Doherty D2/738
D360,516 S * 7/1995 Persinger D2/712
6,041,441 A * 3/2000 Counts A41D 1/08
2/227
6,161,222 A * 12/2000 Strickland A41D 1/08
2/228
6,848,121 B1 * 2/2005 Halid A61F 13/66
2/400
7,032,249 B2 * 4/2006 Smith A41B 9/001
2/404
D525,765 S * 8/2006 Arensdorf D2/712
D548,928 S * 8/2007 Wong D2/731
D553,826 S * 10/2007 Austin D2/716
D593,728 S * 6/2009 Rance D2/738
7,631,369 B2 * 12/2009 Geiwald A41B 9/02
2/400

D628,769 S * 12/2010 Turner D2/712
D629,999 S * 1/2011 Turner D2/712
D633,688 S * 3/2011 Turner D2/712
D646,047 S * 10/2011 Arensdorf D2/712
D656,711 S * 4/2012 Kemma D2/738
8,336,120 B2 * 12/2012 Wong A41B 9/02
2/238
D679,069 S * 4/2013 Denning D2/712
(Continued)

FOREIGN PATENT DOCUMENTS

CA 136014 * 1/2011
EM 002274316-0001 * 8/2013

OTHER PUBLICATIONS

The Men's Guide on How to Wear Leggings, Announced Nov. 11, 2014 [Site Visited Jun. 15, 2016]
<http://www.royalfashionist.com/leggings-tights-improve-your-training-and-looks/>.
(Continued)

Primary Examiner — John Windmuller
Assistant Examiner — Luqman McNeil
(74) *Attorney, Agent, or Firm* — FisherBroyles, LLP;
Robert Kinberg

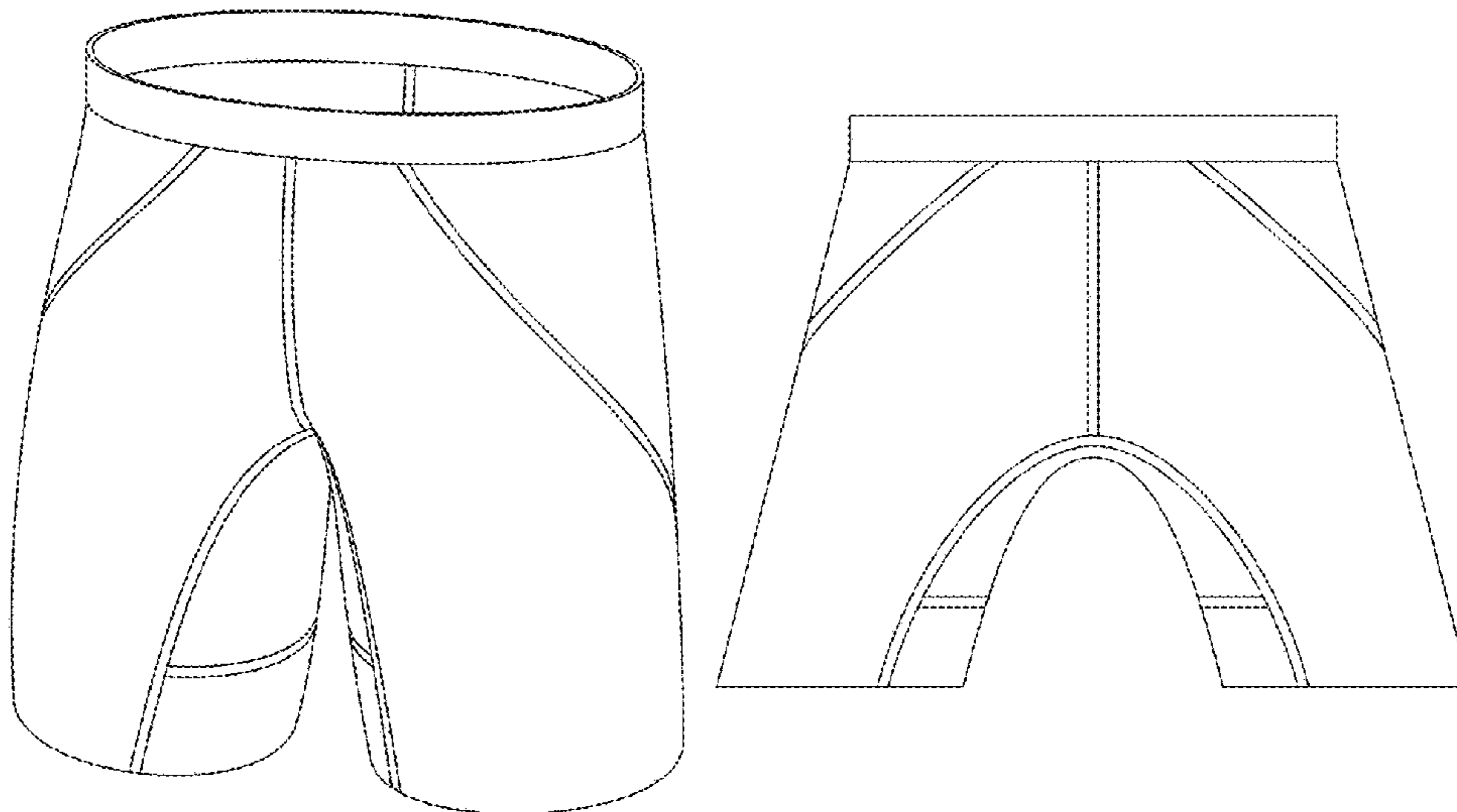
(57) **CLAIM**

I claim the ornamental design for a compression shorts, as shown and described.

DESCRIPTION

FIG. 1 is a perspective view of compression shorts according to the invention.
FIG. 2 is a front view of FIG. 1.
FIG. 3 is a rear view of FIG. 1.
FIG. 4 is a left side view of FIG. 1.
FIG. 5 is a right side view of FIG. 1.
FIG. 6 is a top view of FIG. 1; and,
FIG. 7 is a bottom view of FIG. 1.

1 Claim, 5 Drawing Sheets



(56)

References Cited

U.S. PATENT DOCUMENTS

D681,311	S *	5/2013	McLaren	D2/742
D698,118	S *	1/2014	Denning	D2/712
D702,918	S *	4/2014	Radford	D2/712
D722,742	S *	2/2015	Abrams	D2/712
D735,444	S *	8/2015	Harris	D2/712
D743,670	S *	11/2015	Gust	D2/738
2010/0095432	A1 *	4/2010	Liou	A41D 1/084 2/227
2010/0281593	A1 *	11/2010	Aloy Font	A41D 1/08 2/22
2011/0041226	A1 *	2/2011	Arendsdorf	A41D 13/0543 2/22
2013/0145524	A1 *	6/2013	Burke	A41B 9/00 2/400

OTHER PUBLICATIONS

Women Ladies 3D Padded Cycling Bike Bicycle Waist, Announced May 20, 2013 [Site Visited Jun. 15, 2016] <http://www.dhgate.com/store/product/women-ladies-3d-padded-cycling-bike-bicycle/157436963.html>.*

Review of Opedix Compression Shorts, Announced Jun. 4, 2014 [Site Visited Jun. 16, 2016] <https://lilrunner.com/2014/06/04/review-of-opedix-compression-shorts/>.*

* cited by examiner

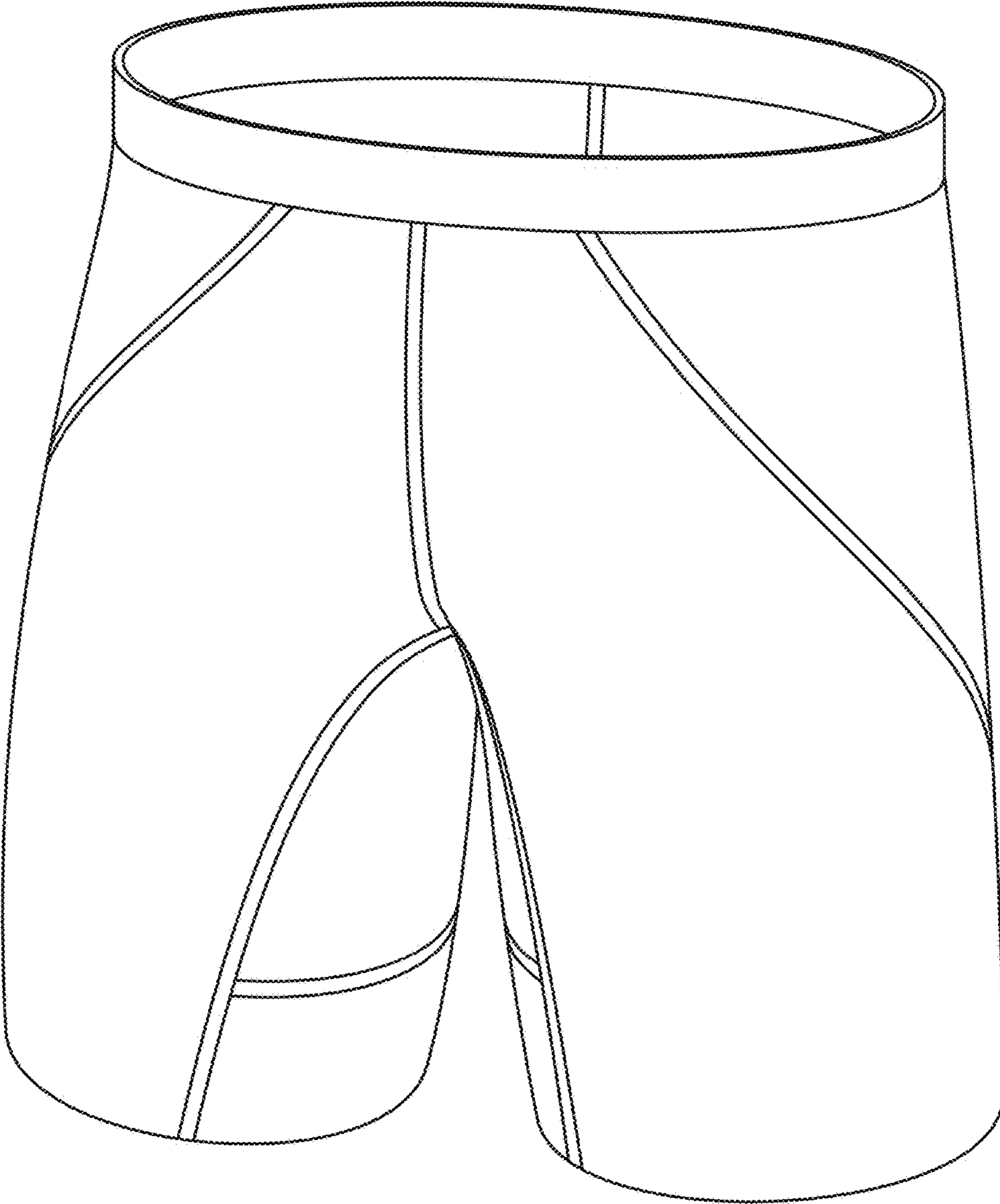


FIG. 1

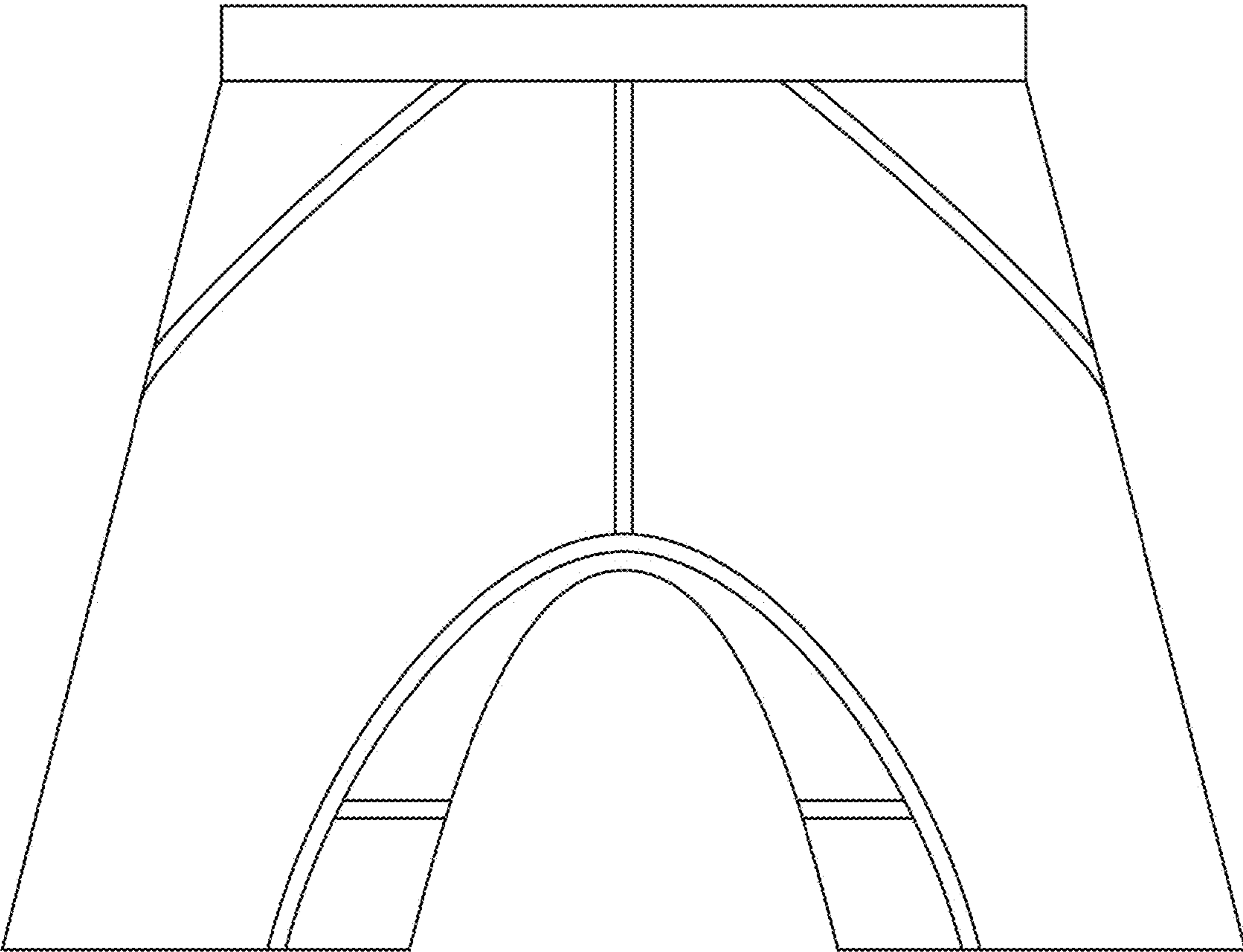


FIG. 2

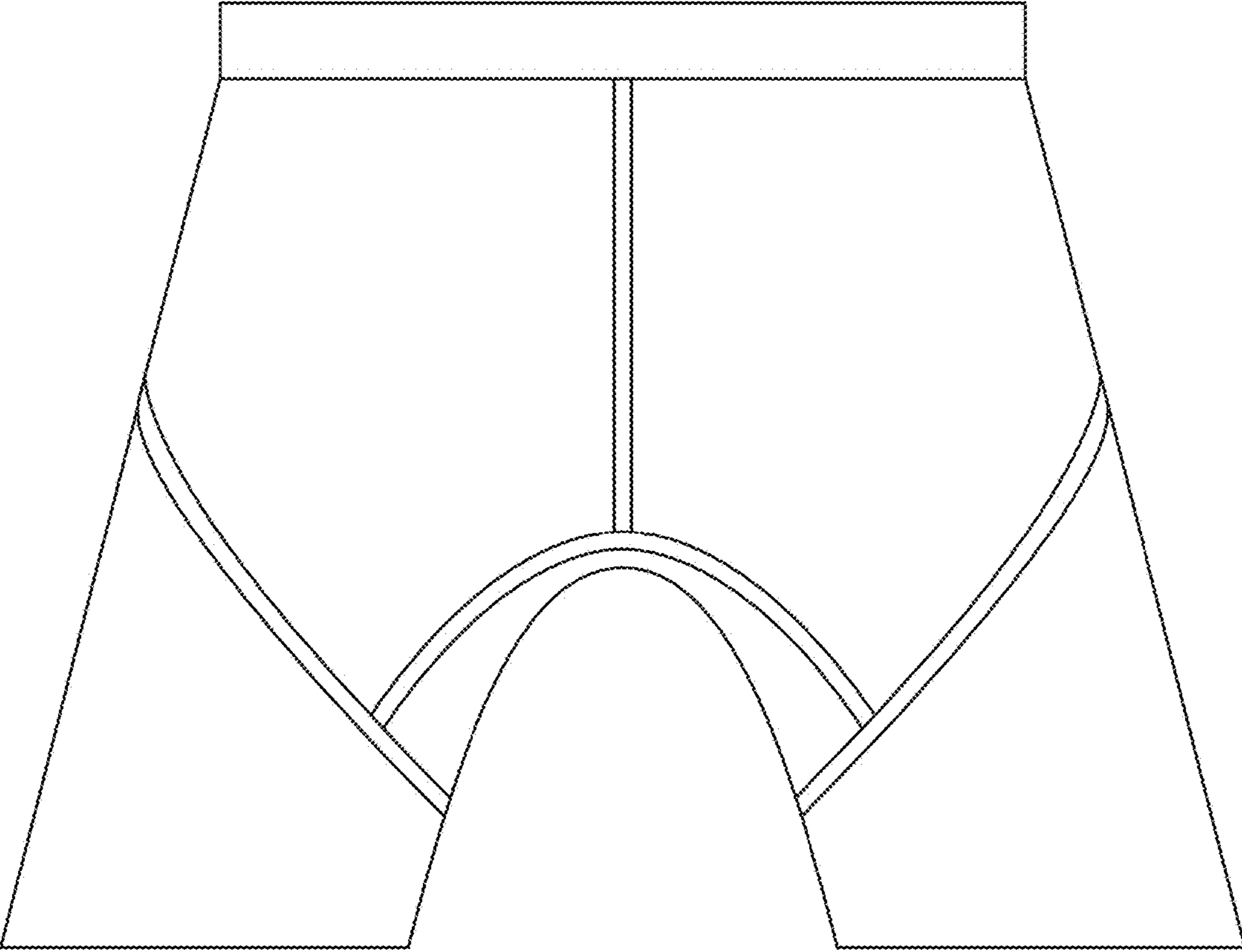


FIG. 3

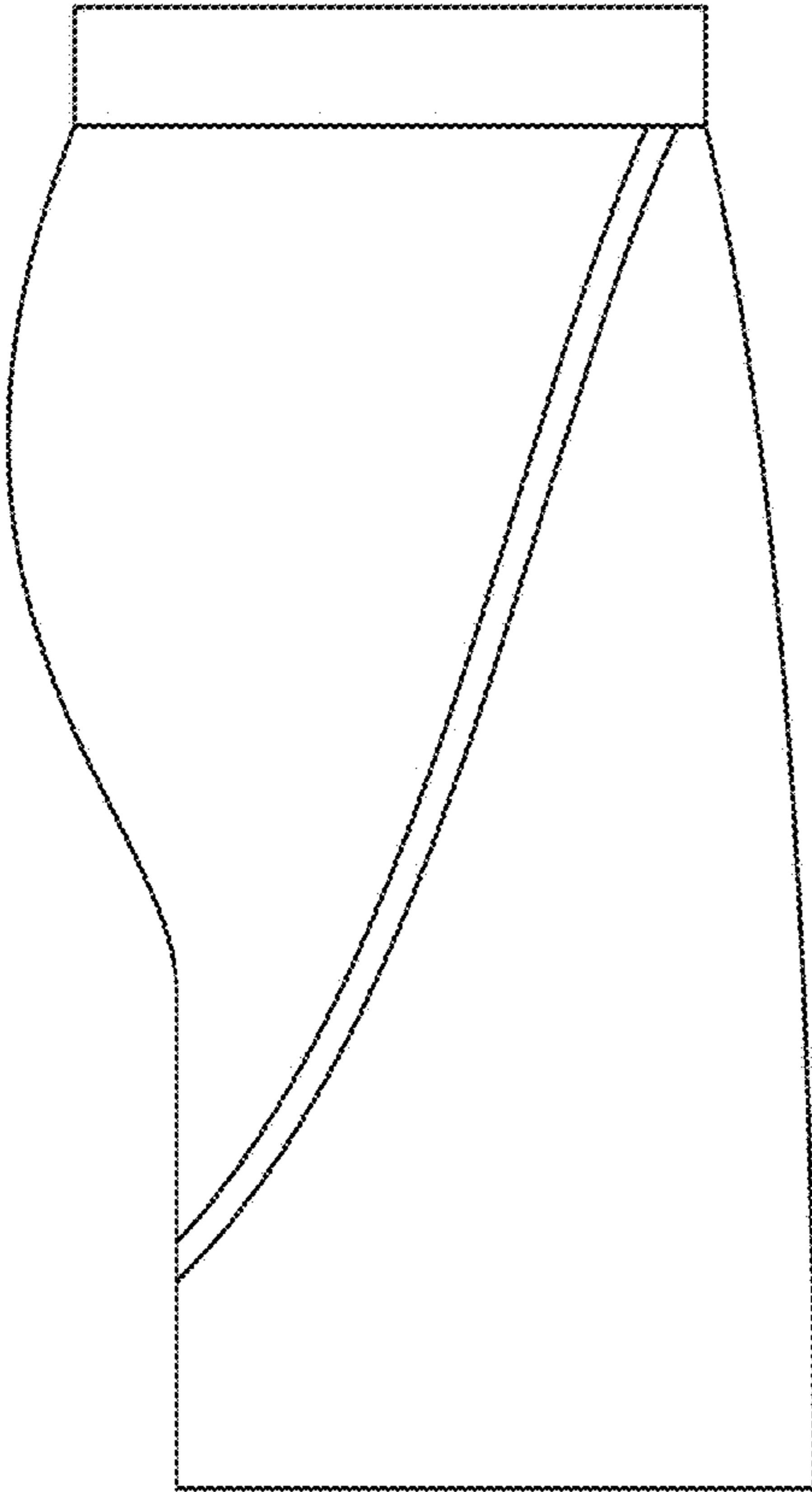


FIG. 4

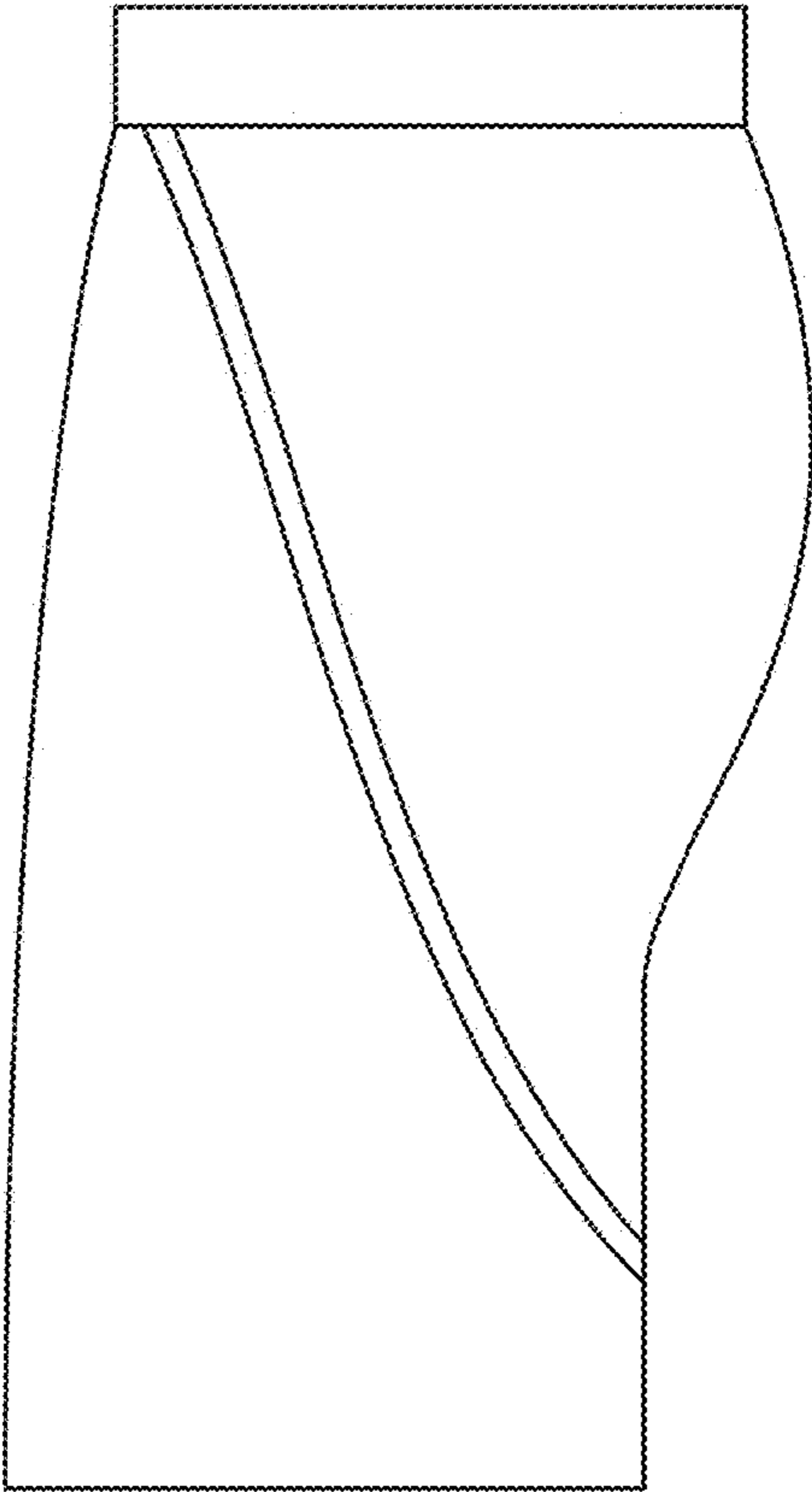


FIG. 5

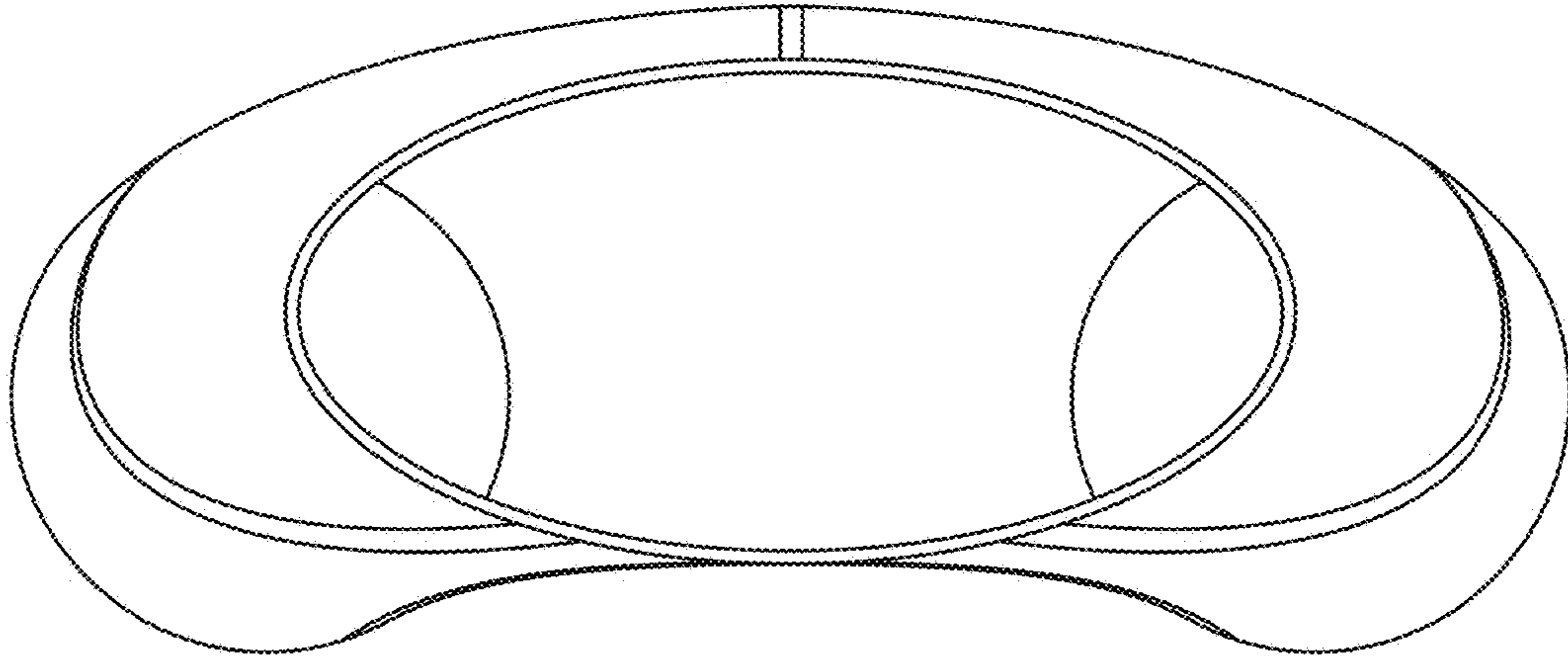


FIG. 6

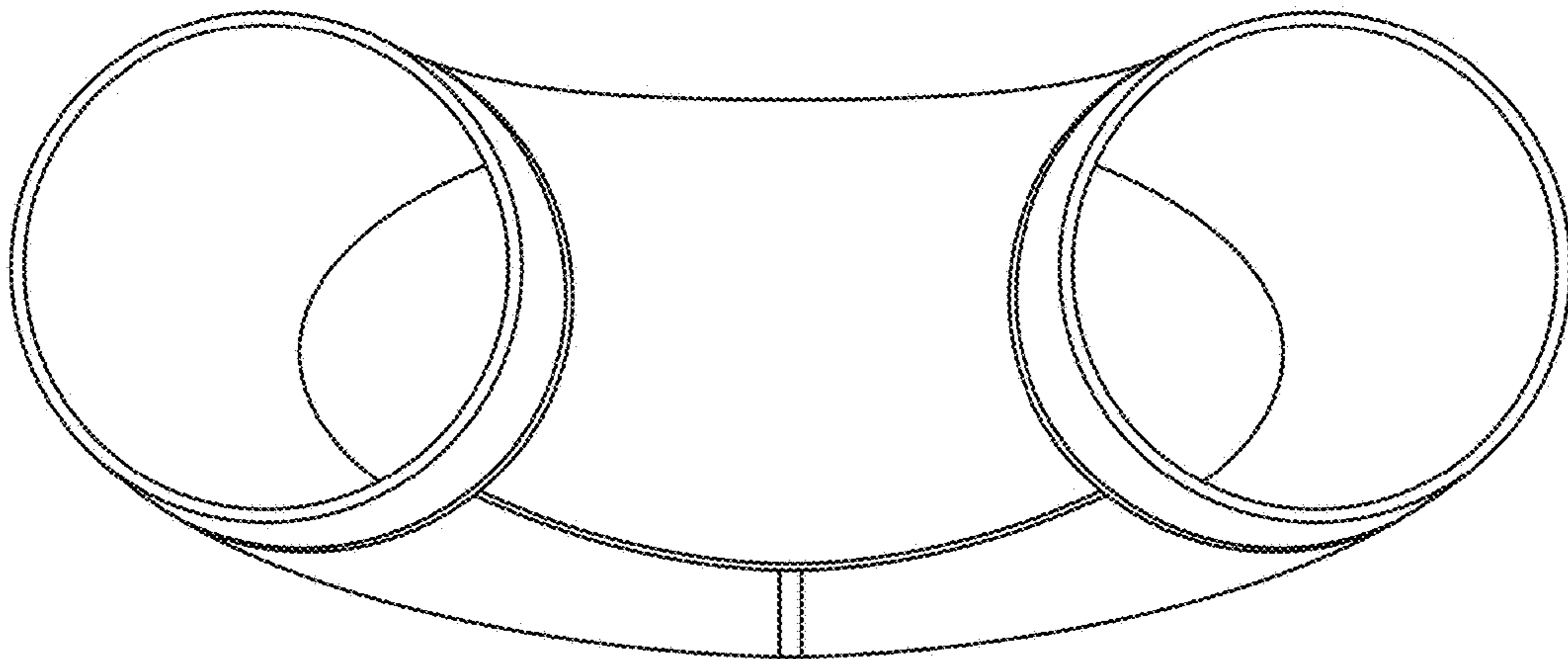


FIG. 7