



US00D775782S

(12) **United States Design Patent**
Peete

(10) **Patent No.:** **US D775,782 S**
(45) **Date of Patent:** **** Jan. 10, 2017**

- (54) **UNDERGARMENT POCKET**
- (71) Applicant: **Deborah Hall Peete**, Brandon, FL (US)
- (72) Inventor: **Deborah Hall Peete**, Brandon, FL (US)
- (**) Term: **14 Years**
- (21) Appl. No.: **29/523,596**
- (22) Filed: **Apr. 10, 2015**
- (51) **LOC (10) Cl.** **02-01**
- (52) **U.S. Cl.**
USPC **D2/716**
- (58) **Field of Classification Search**
USPC D2/700–716, 728–738, 857
CPC A41D 27/20; A41D 27/205; A41D 13/012;
A41C 3/0035; A41B 9/002; A41B 9/02;
A41B 9/023; A41B 9/04
See application file for complete search history.

(56) **References Cited**

U.S. PATENT DOCUMENTS

- 1,711,541 A * 5/1929 Reiss A41D 27/20
2/253
- 2,528,044 A * 10/1950 Driesbach A41D 27/20
2/247
- 2,822,807 A * 2/1958 Heyman A41B 9/02
2/404
- 2,890,461 A * 6/1959 Hartman A41B 11/006
2/239
- D362,950 S * 10/1995 Molino D2/716
- D384,487 S * 10/1997 Ingels D2/713
- 5,689,829 A * 11/1997 Rose F41C 33/00
2/115
- 5,713,292 A * 2/1998 Wong A41B 1/08
112/441
- D396,542 S * 8/1998 Nicholson D2/712
- 5,870,777 A * 2/1999 Hans A41D 27/20
2/228

- 6,018,823 A * 2/2000 Ortmeier A41B 9/04
2/406
- 6,176,761 B1 * 1/2001 Underhill A41C 3/0014
450/1
- 6,308,340 B1 * 10/2001 Cook A41B 9/04
2/400
- D457,689 S * 5/2002 Griffiths D29/100
- D630,816 S * 1/2011 Baramki D2/706
- D664,326 S * 7/2012 Steele D2/712
- D725,872 S * 4/2015 Robinson D2/737
- 2003/0101502 A1 * 6/2003 Hayes A41D 27/20
2/78.1
- 2006/0101558 A1 * 5/2006 Coleman A41D 13/1254
2/400

(Continued)

Primary Examiner — Susan Bennett Hattan
Assistant Examiner — Jennifer Wright
(74) *Attorney, Agent, or Firm* — Dunlap Bennett & Ludwig PLLC

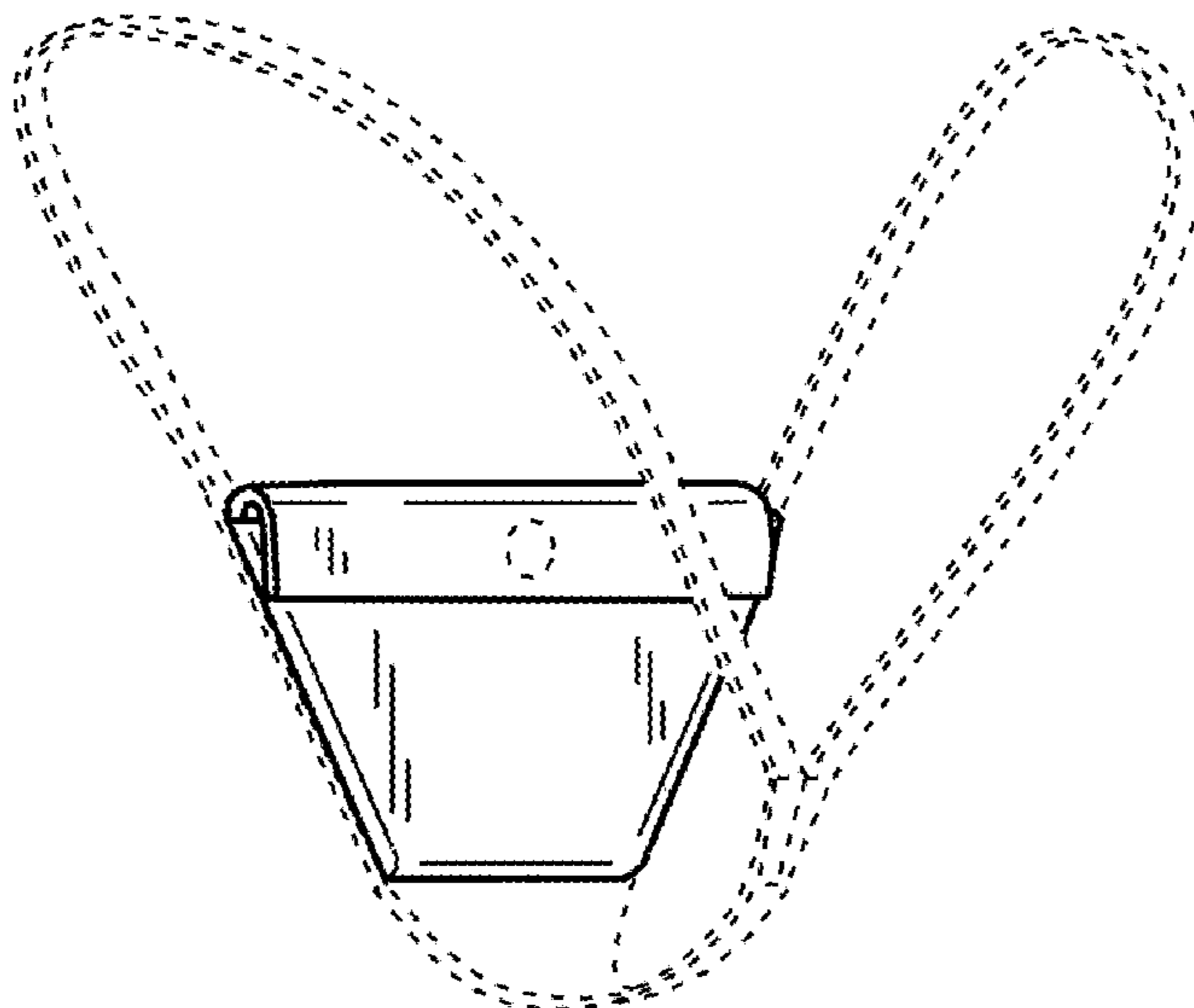
(57) **CLAIM**

The ornamental design for an undergarment pocket, as shown and described.

DESCRIPTION

FIG. 1 is a front perspective view of the undergarment pocket;
FIG. 2 is a front perspective view thereof, shown in an open configuration;
FIG. 3 is a front elevation view thereof;
FIG. 4 is a rear elevation view thereof;
FIG. 5 is a left side elevation view thereof, the right side elevation view being a mirror image thereof;
FIG. 6 is a top plan view thereof; and,
FIG. 7 is a bottom plan view thereof.
The broken lines shown in the drawings illustrate portions of the undergarment pocket that form no part of the claimed design.

1 Claim, 3 Drawing Sheets



(56)

References Cited

U.S. PATENT DOCUMENTS

2007/0270078 A1* 11/2007 Henry A41C 3/0035
450/54
2008/0189832 A1* 8/2008 Oscher A41B 9/002
2/400
2009/0104845 A1* 4/2009 Pintor A41C 3/0035
450/31
2011/0065359 A1* 3/2011 Kenny A41C 3/12
450/39
2011/0225700 A1* 9/2011 Kogut A41B 9/001
2/113
2011/0244758 A1* 10/2011 Boatright A41C 3/0035
450/89
2011/0307420 A1* 12/2011 Shaw A41D 27/08
705/500
2012/0064799 A1* 3/2012 Rivers A41C 3/0035
450/86
2012/0171930 A1* 7/2012 Kaufman A41C 3/0035
450/58
2012/0276812 A1* 11/2012 Wollowick A45F 5/02
450/89
2013/0143469 A1* 6/2013 Grippaudo A41C 3/148
450/3
2013/0303052 A1* 11/2013 Conrad A41C 3/0057
450/89
2015/0074871 A1* 3/2015 Emich A41D 27/20
2/228

* cited by examiner

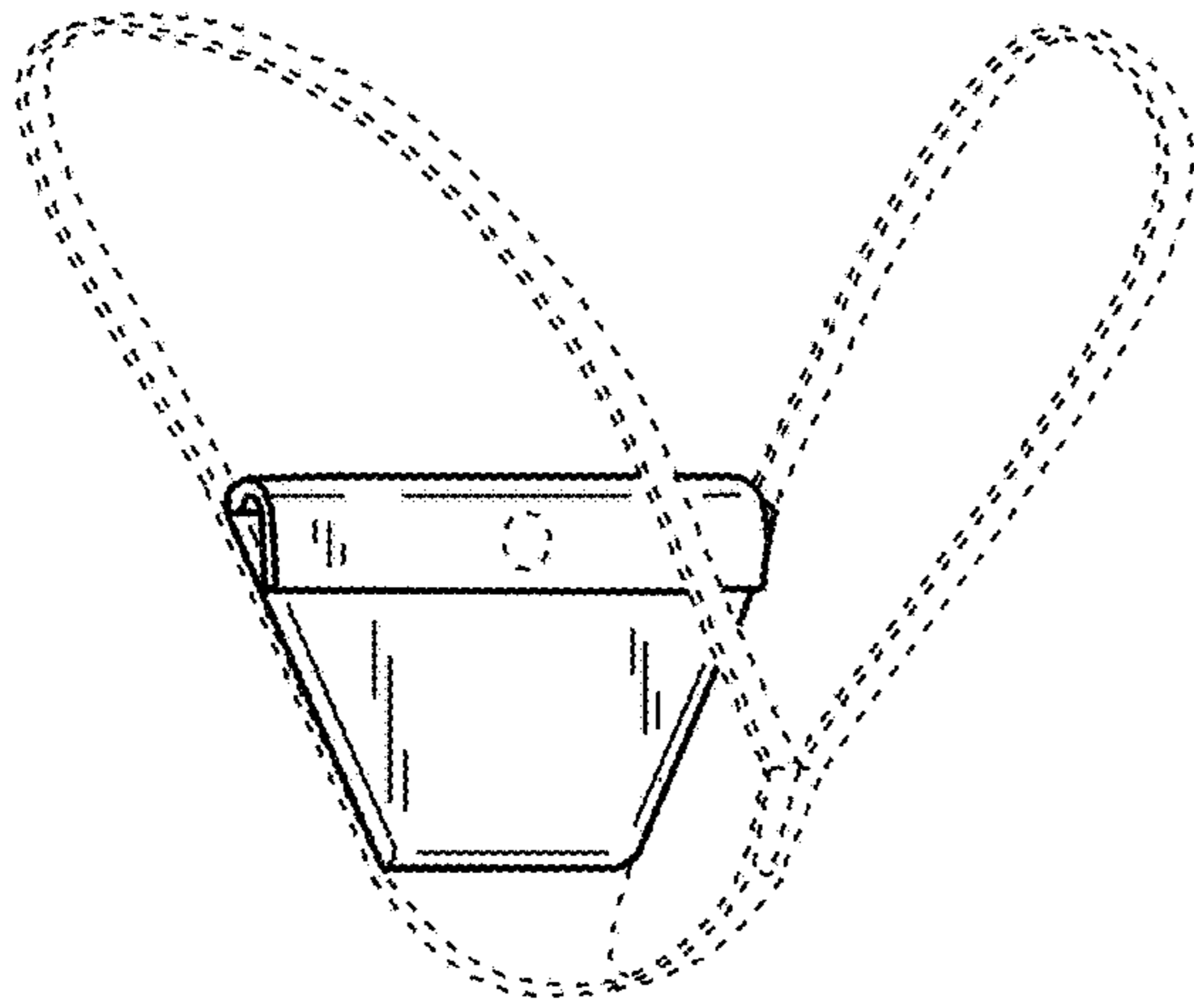


FIG. 1

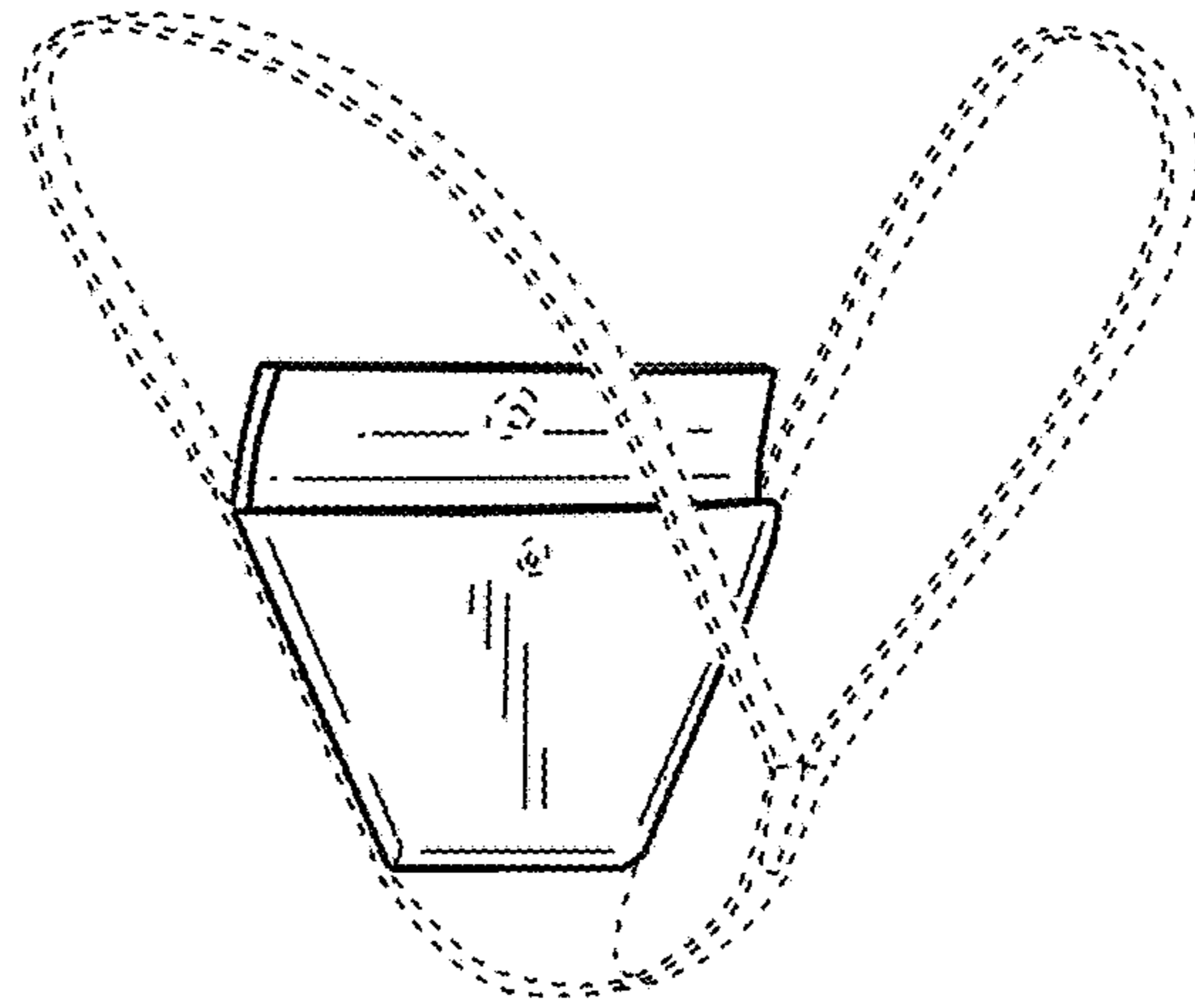


FIG. 2

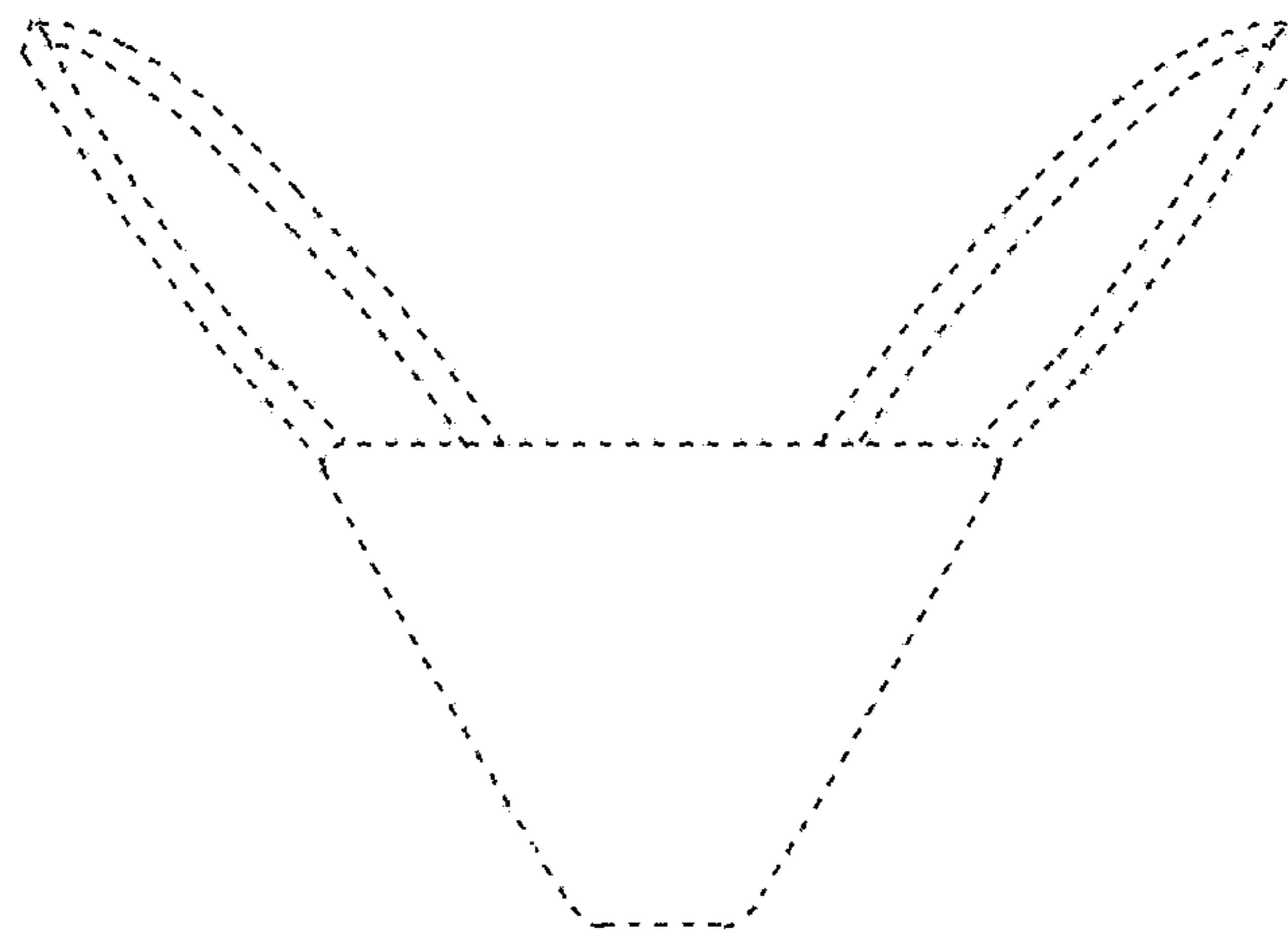


FIG. 3

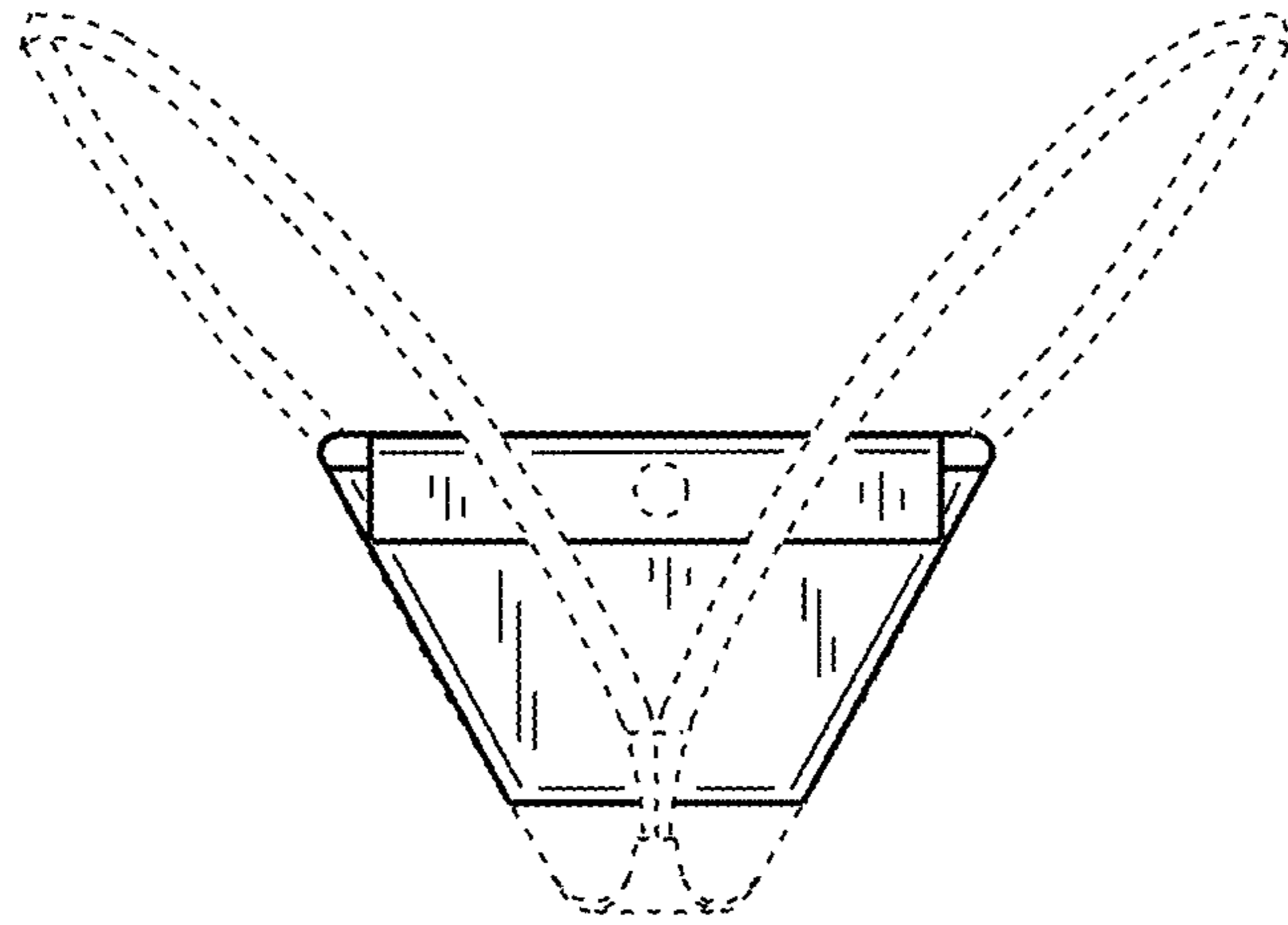


FIG. 4

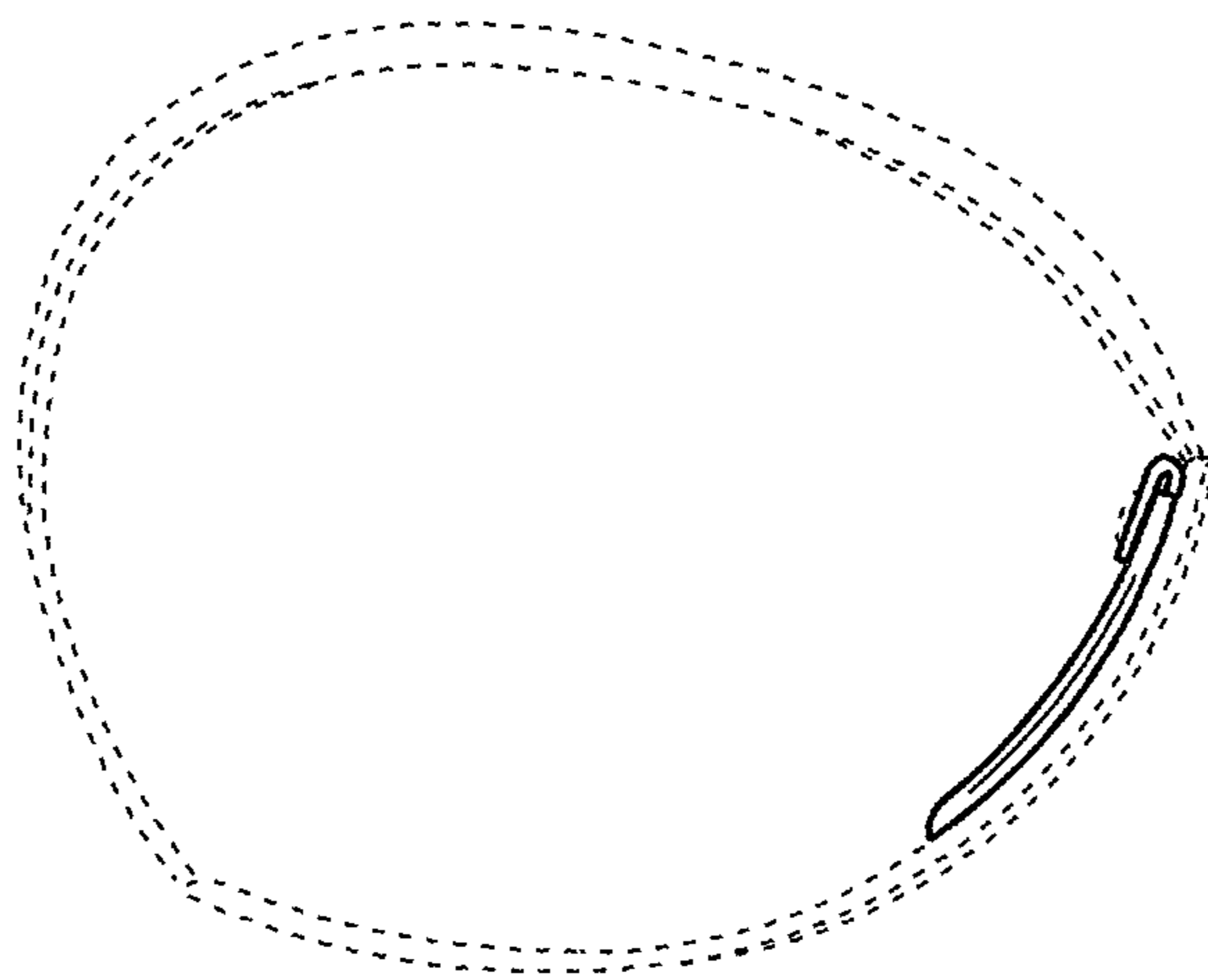


FIG. 5

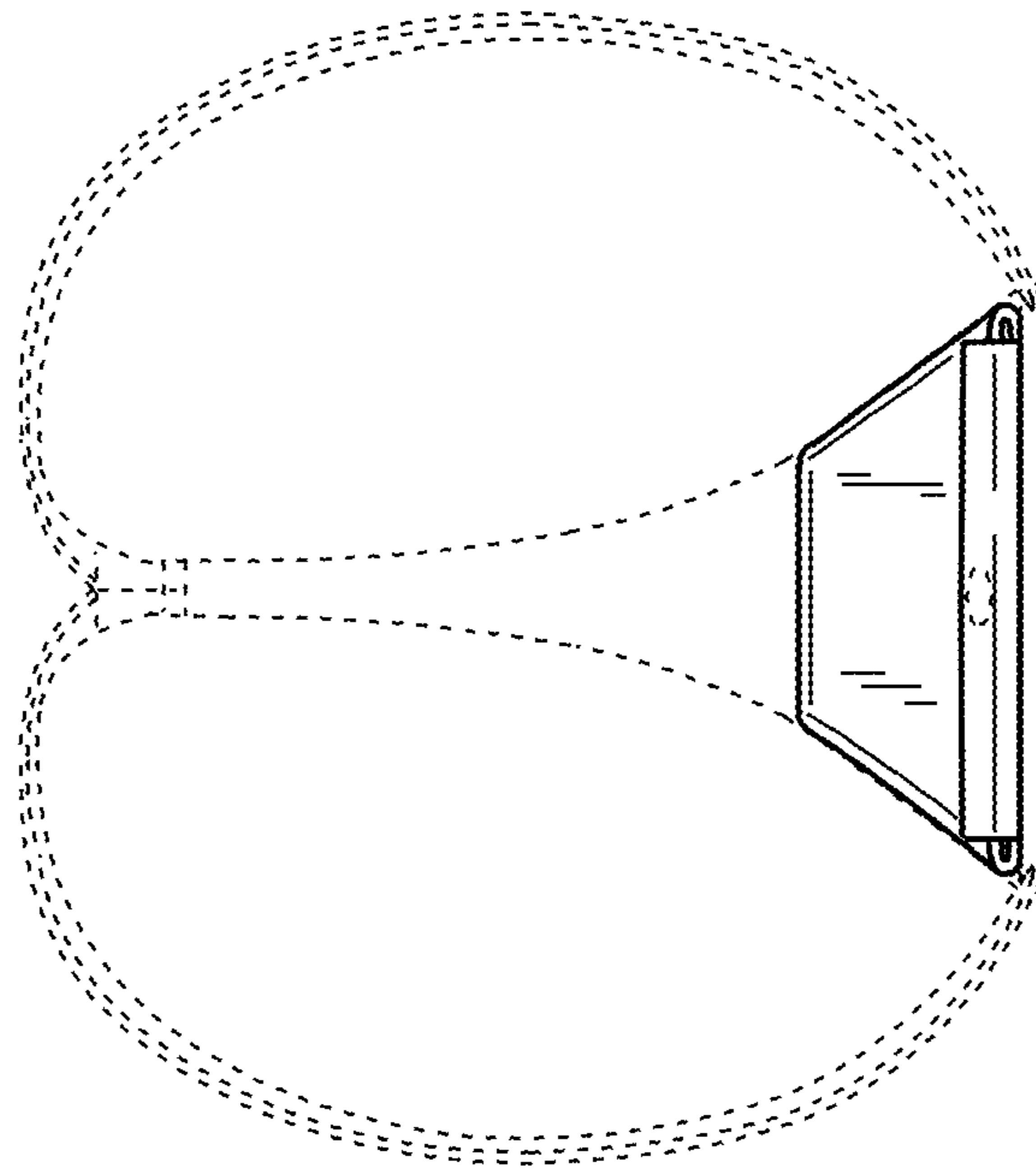


FIG. 6

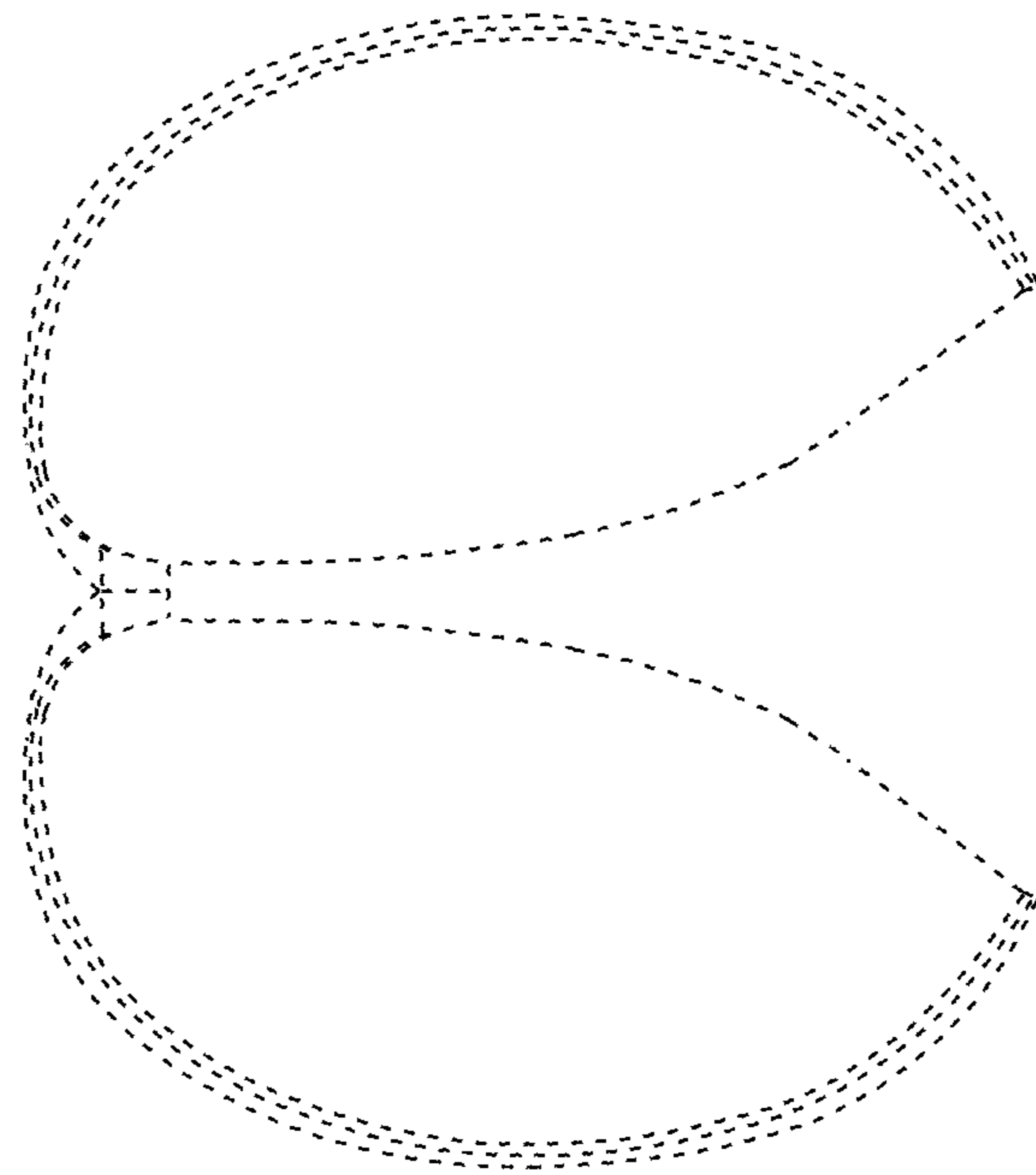


FIG. 7