



US00D775780S

(12) **United States Design Patent**
Horowitz

(10) **Patent No.:** **US D775,780 S**

(45) **Date of Patent:** **** Jan. 10, 2017**

- (54) **MALE UNDERGARMENT**
- (71) Applicant: **Brian D Horowitz**, Cleveland, OH (US)
- (72) Inventor: **Brian D Horowitz**, Cleveland, OH (US)
- (**) Term: **15 Years**
- (21) Appl. No.: **29/505,093**
- (22) Filed: **May 22, 2015**
- (51) **LOC (10) Cl.** **02-01**
- (52) **U.S. Cl.**
USPC **D2/700**
- (58) **Field of Classification Search**
USPC D2/700, 712, 713, 714, 715, 716, 731, D2/732, 736, 734, 735, 737, 738, 739, D2/742, 860, 863; D24/122, 124, 125, D24/126, 127, 128, 189, 215
CPC A41B 9/00; A41B 9/001; A41B 9/02; A41B 9/004; A41B 17/00; A41B 2500/50; A41B 1/08; A41B 9/04; A41B 13/04
See application file for complete search history.

- (56) **References Cited**
U.S. PATENT DOCUMENTS
850,298 A 4/1907 DeMars 602/71
1,477,187 A * 12/1923 Rayne A61F 5/40
602/71
D233,633 S * 11/1974 Burkard 602/67
4,195,630 A 4/1980 Connery et al. 128/159
D264,631 S 5/1982 Forsberg D24/51
D268,454 S * 4/1983 Novo D2/711
D268,964 S * 5/1983 Riedell D2/711
D282,409 S * 2/1986 Dryzal D2/860
4,590,931 A 5/1986 Kidwell, Jr. 128/162
D288,485 S * 2/1987 Denno D2/712
D295,559 S * 5/1988 Kristensen D24/189

- 4,759,355 A * 7/1988 Thrower A61F 5/40
2/405
D304,775 S * 11/1989 Eckenrode D2/711
5,094,234 A 3/1992 Searcy 602/68
D328,953 S * 8/1992 Garcia D24/127
D353,933 S * 1/1995 Michels D2/712
D364,007 S * 11/1995 McLaren D29/113
5,524,298 A 6/1996 Plunkett 2/403
D382,089 S * 8/1997 Olson D2/701
D384,187 S * 9/1997 McRoberts D2/701
D392,788 S * 3/1998 Fitzgerald D2/700

(Continued)

Primary Examiner — Manpreet Matharu
Assistant Examiner — Mojtaba Tehrani
(74) *Attorney, Agent, or Firm* — David A. Burge

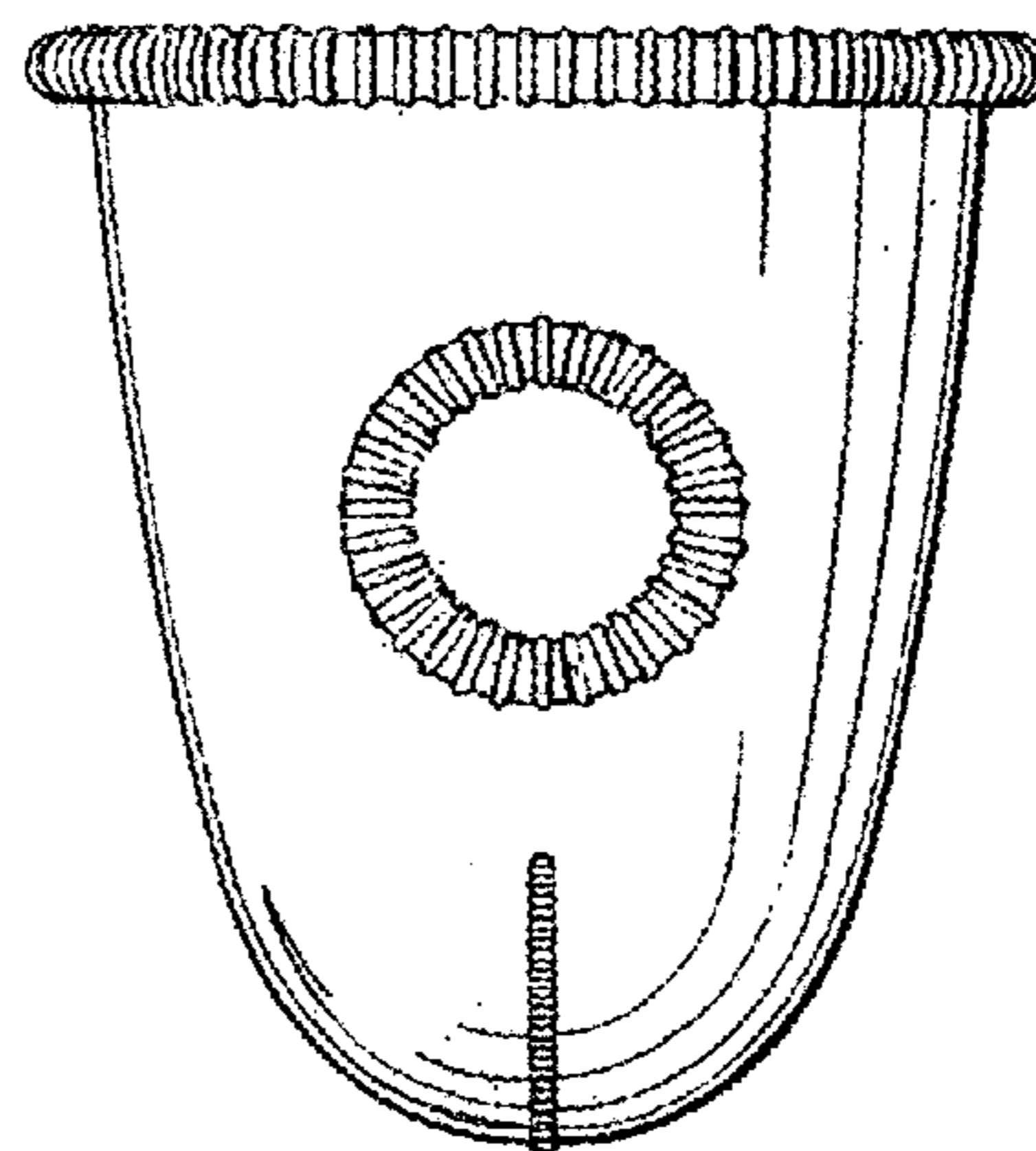
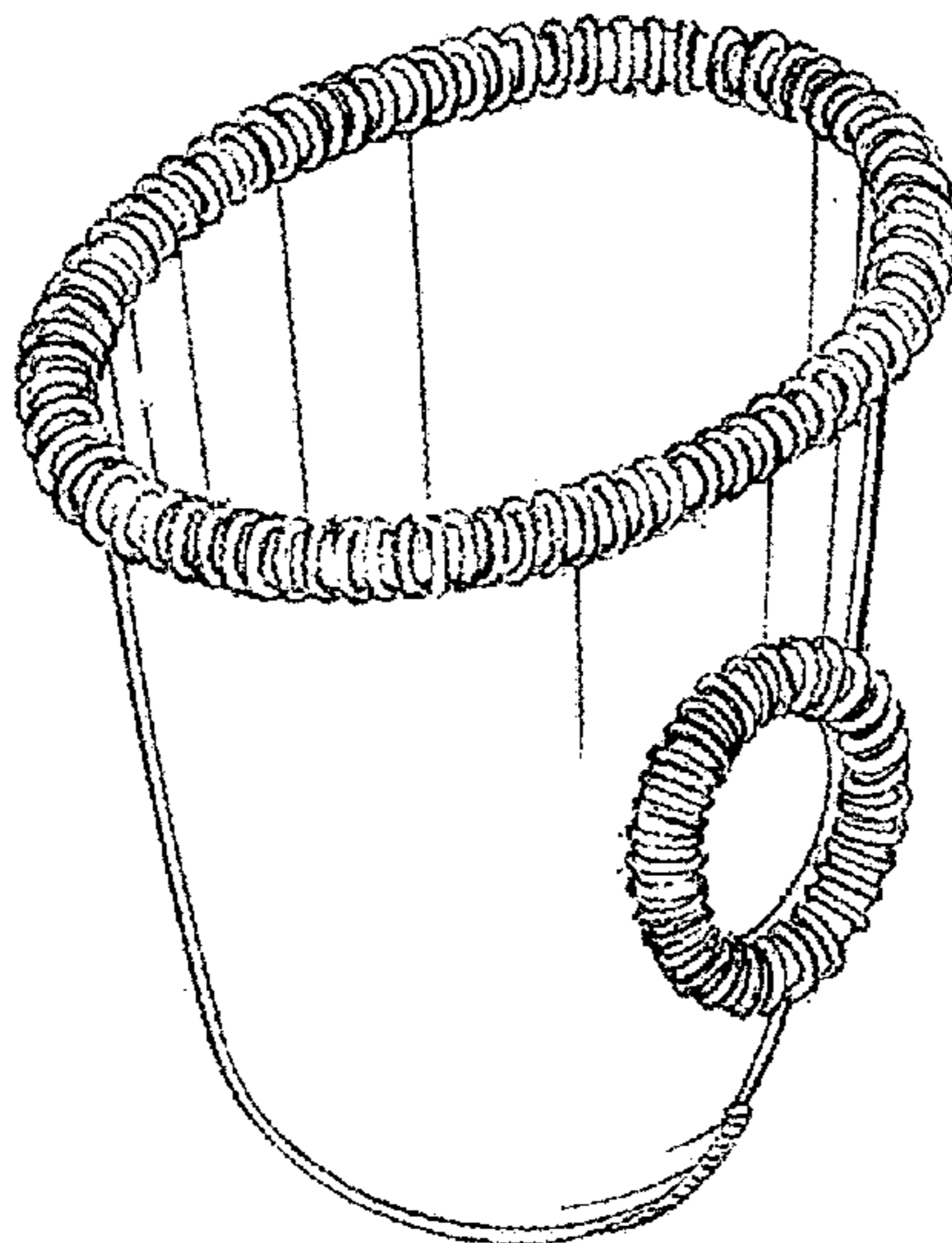
(57) **CLAIM**

I claim the ornamental design for a male undergarment, as shown and described.

DESCRIPTION

FIG. 1 is a perspective view of a first embodiment of male undergarment showing my new design;
FIG. 2 is a front view thereof;
FIG. 3 is a left side view thereof, it being understood that a right side view is a mirror image thereof;
FIG. 4 is a top view thereof;
FIG. 5 is a bottom view thereof; and
FIG. 6 is a rear view thereof;
FIG. 7 is a perspective view of a second embodiment of male undergarment showing my new design;
FIG. 8 is a front view thereof;
FIG. 9 is a left side view thereof, it being understood that a right side view is a mirror image thereof;
FIG. 10 is a top view thereof;
FIG. 11 is a bottom view thereof; and
FIG. 12 is a rear view thereof.
Broken lines indicate unclaimed subject matter and form no part of the claimed design.

1 Claim, 4 Drawing Sheets



(56)

References Cited

U.S. PATENT DOCUMENTS

5,807,299 A * 9/1998 McRoberts A61F 5/40
 602/67
 D399,987 S * 10/1998 Bradley D2/712
 D401,341 S * 11/1998 Poubouridis D24/155
 5,875,495 A 3/1999 Thrower 2/403
 6,061,840 A 5/2000 Alligator 2/403
 D509,945 S * 9/2005 Ogle D2/700
 D523,140 S * 6/2006 Bernal D24/105
 D571,532 S 6/2008 Gutierrez D2/713
 D579,628 S 11/2008 Wiens D2/711
 D587,367 S 2/2009 Finn D24/124
 D618,322 S * 6/2010 Keller D23/302
 D637,763 S * 5/2011 Hernandez D29/114
 D640,040 S * 6/2011 Martin D2/711
 D651,377 S 1/2012 Weaver et al. D2/712
 D660,551 S 5/2012 Steele D2/712
 D683,863 S * 6/2013 Astin D24/215
 8,622,948 B2 1/2014 Gedeon 602/61
 D713,043 S * 9/2014 Warner D24/189
 D716,935 S 11/2014 Cogan D24/105
 D747,469 S * 1/2016 Jones D24/122
 D748,893 S * 2/2016 Astin D2/712
 D748,894 S * 2/2016 Astin D2/712
 D756,067 S * 5/2016 Astin D2/712
 D756,068 S * 5/2016 Astin D2/712
 D759,344 S * 6/2016 Astin D2/712
 D759,345 S * 6/2016 Astin D2/712
 D760,994 S * 7/2016 Astin D2/712
 D760,995 S * 7/2016 Astin D2/712
 D761,519 S * 7/2016 Astin D2/712
 D762,045 S * 7/2016 Popp D2/712
 2007/0180600 A1 8/2007 Allemann et al. 2/403

* cited by examiner

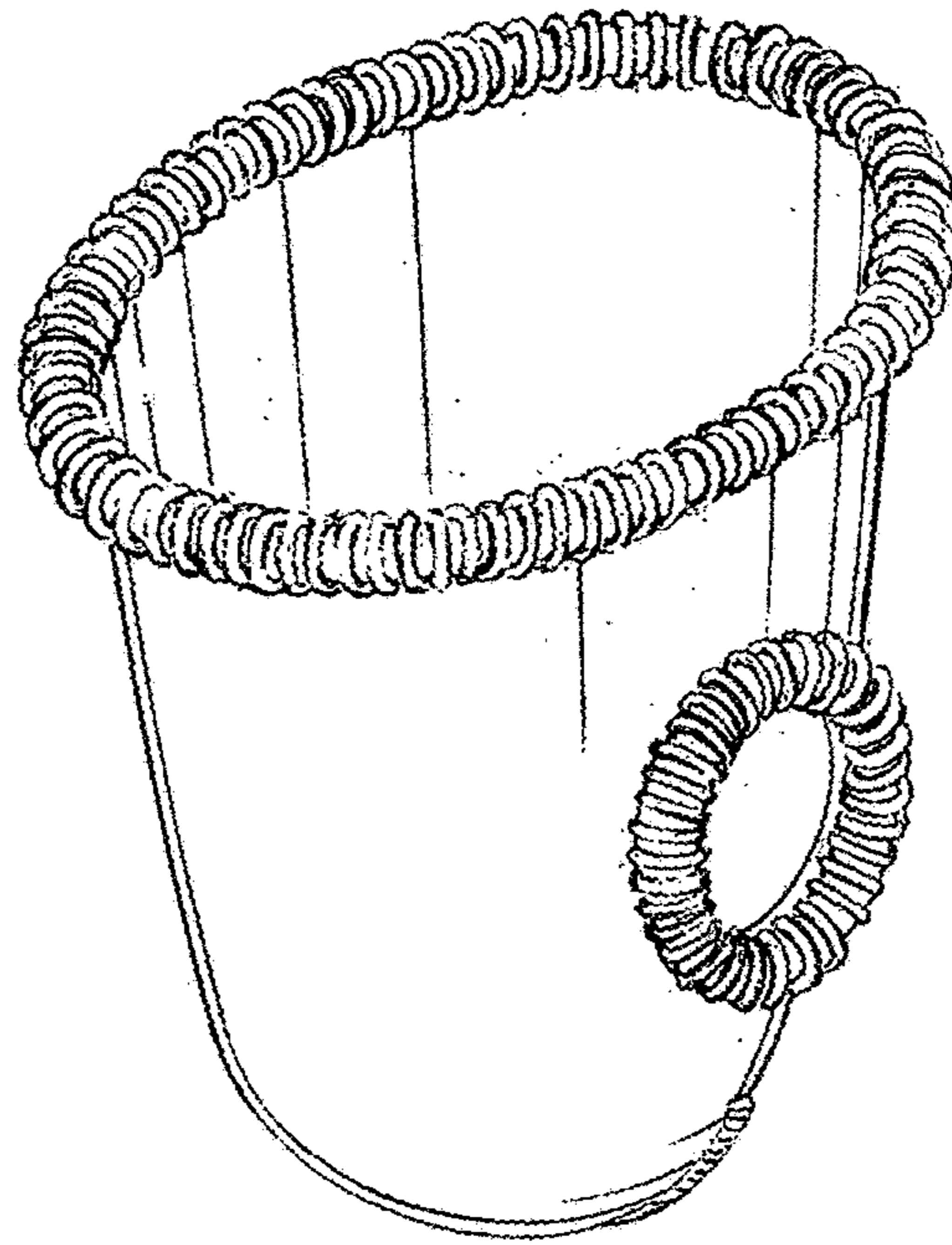


FIG. 1

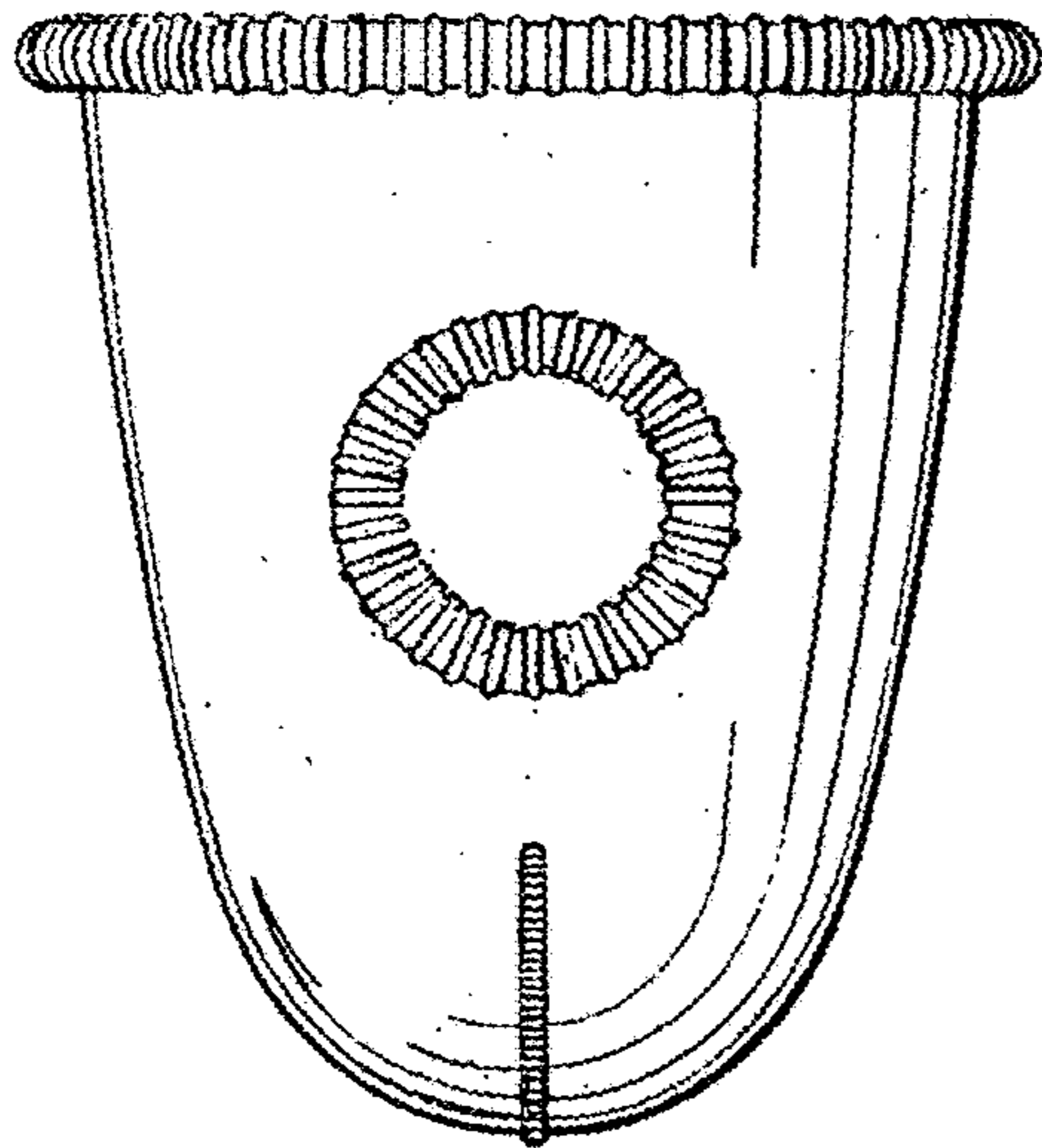


FIG. 2

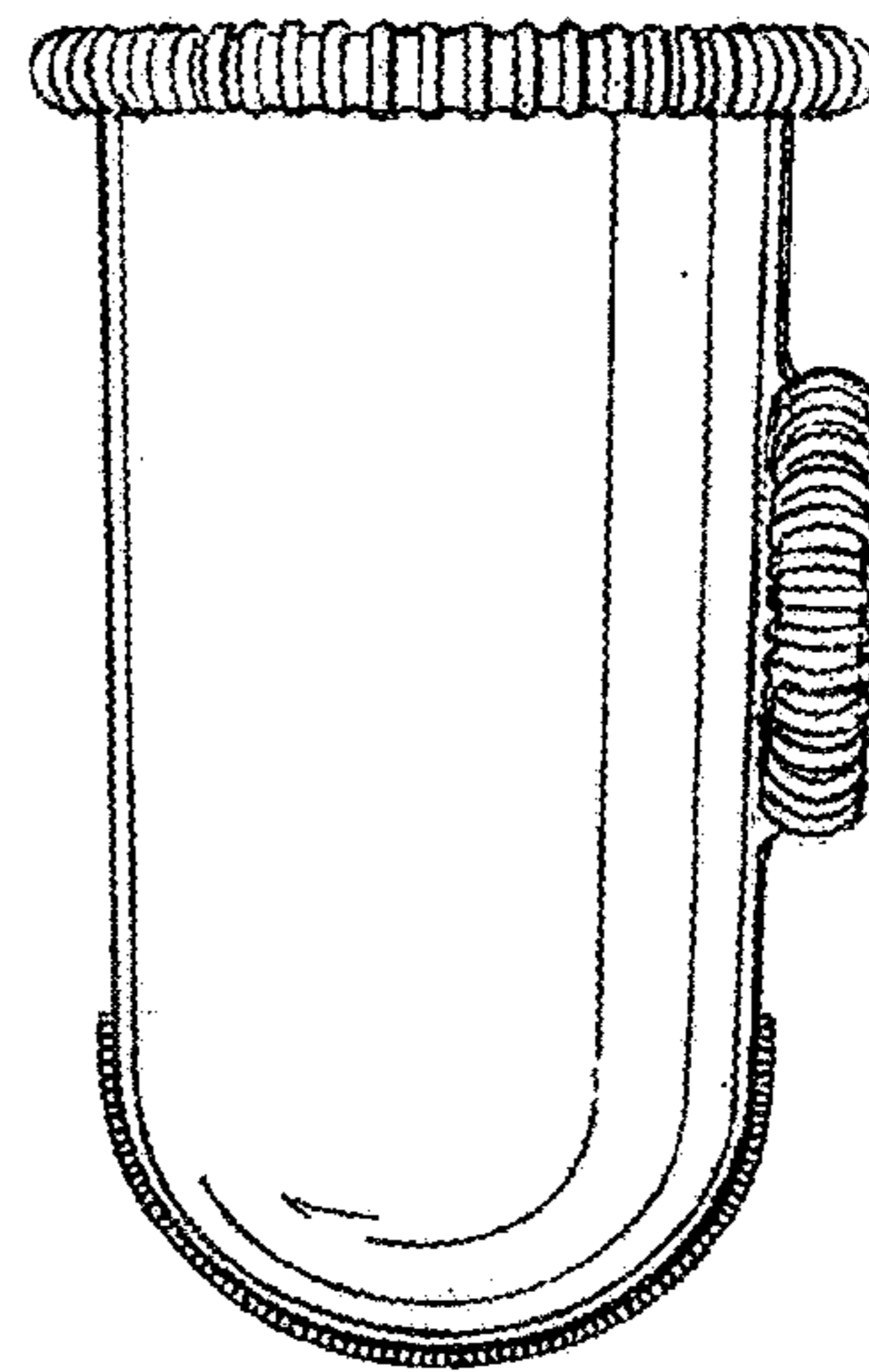


FIG. 3

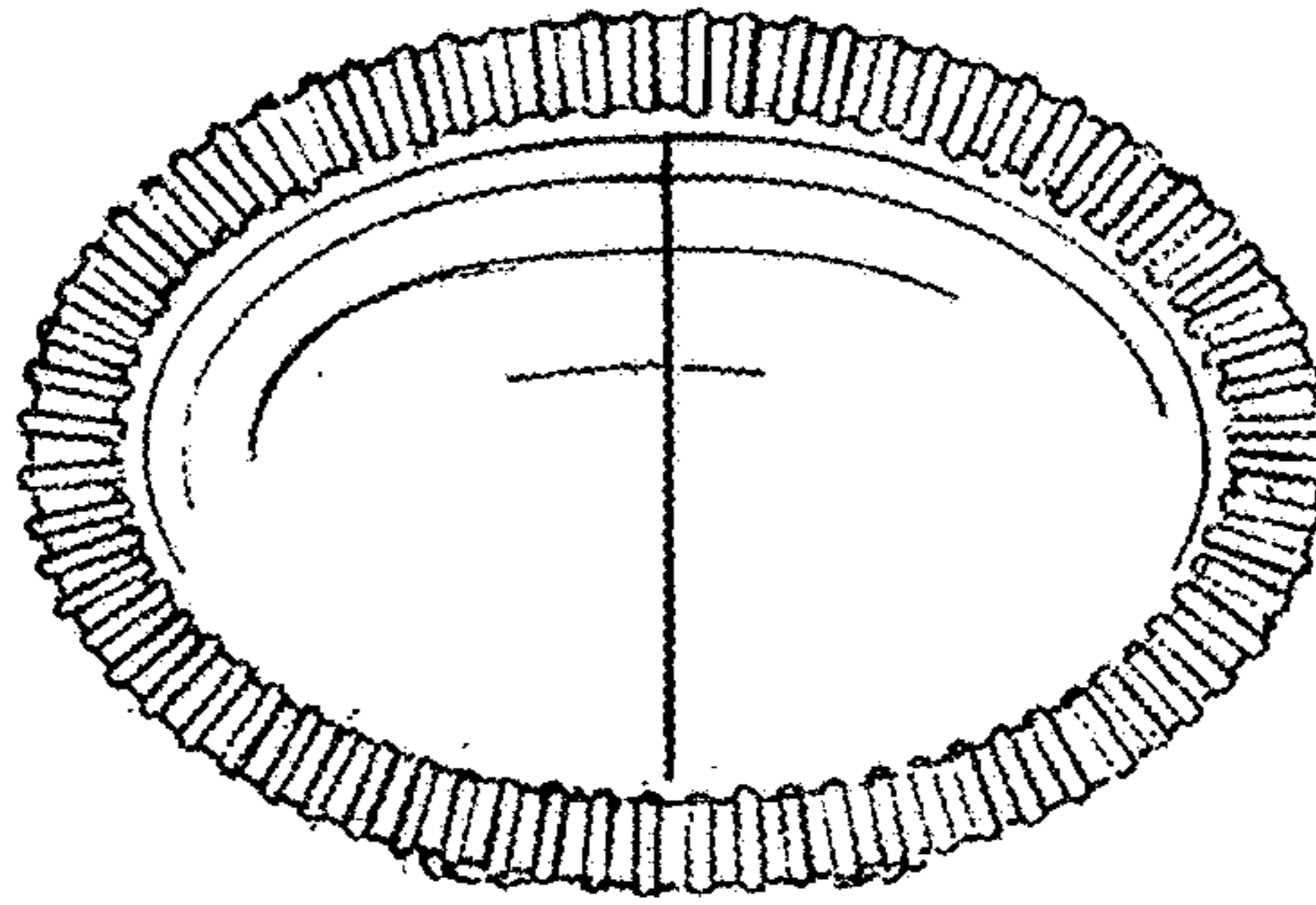


FIG. 4

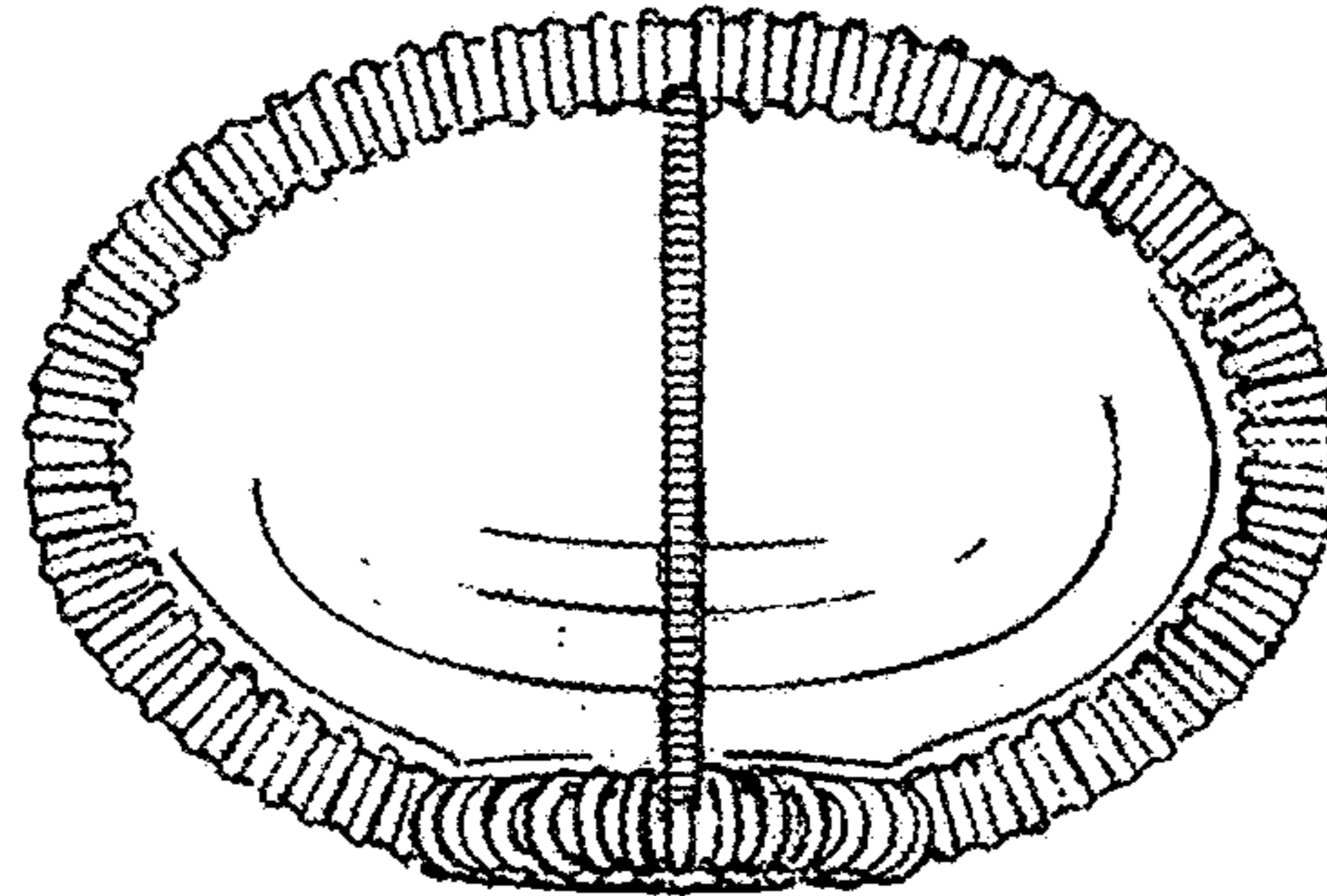


FIG. 5

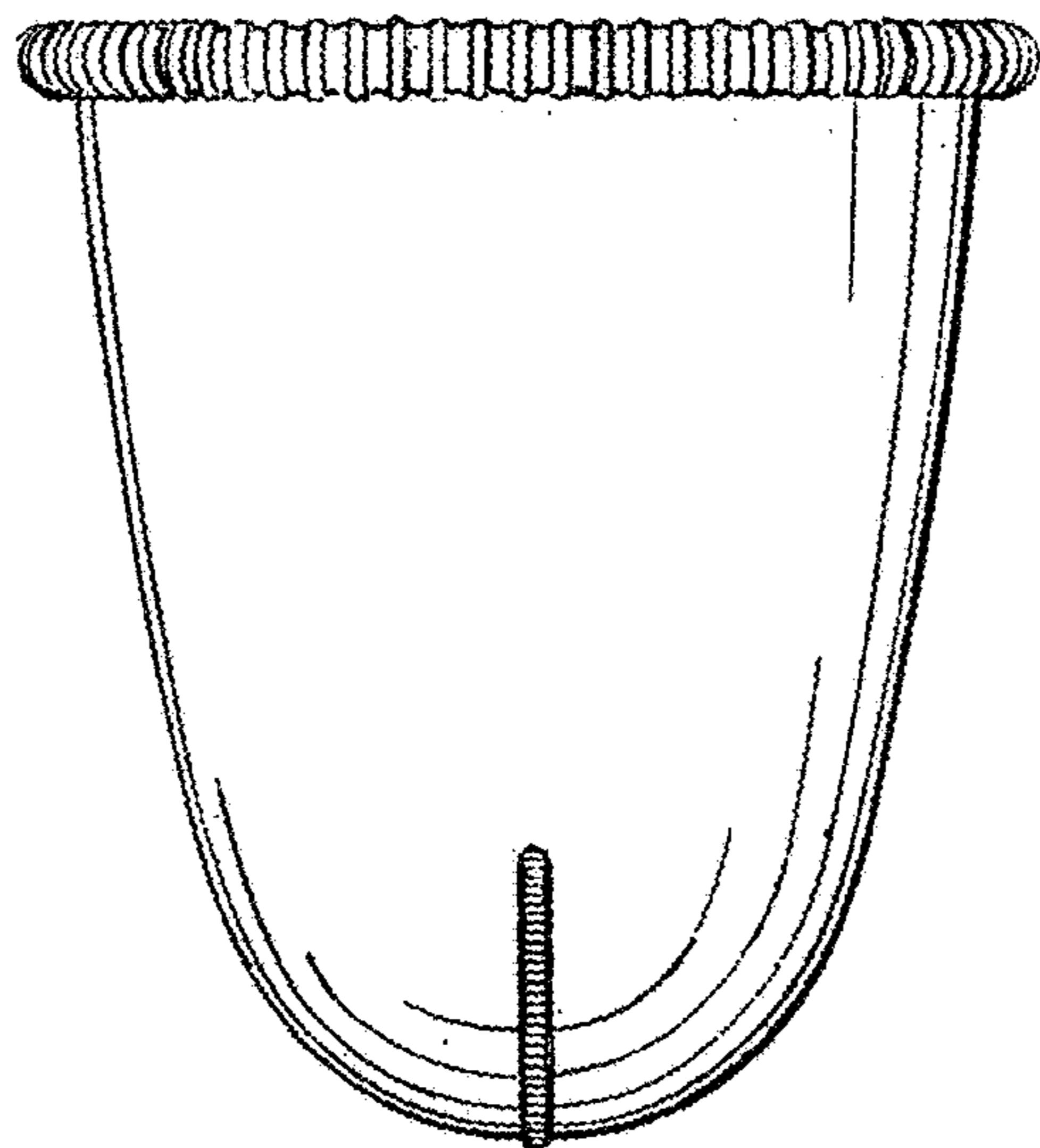


FIG. 6

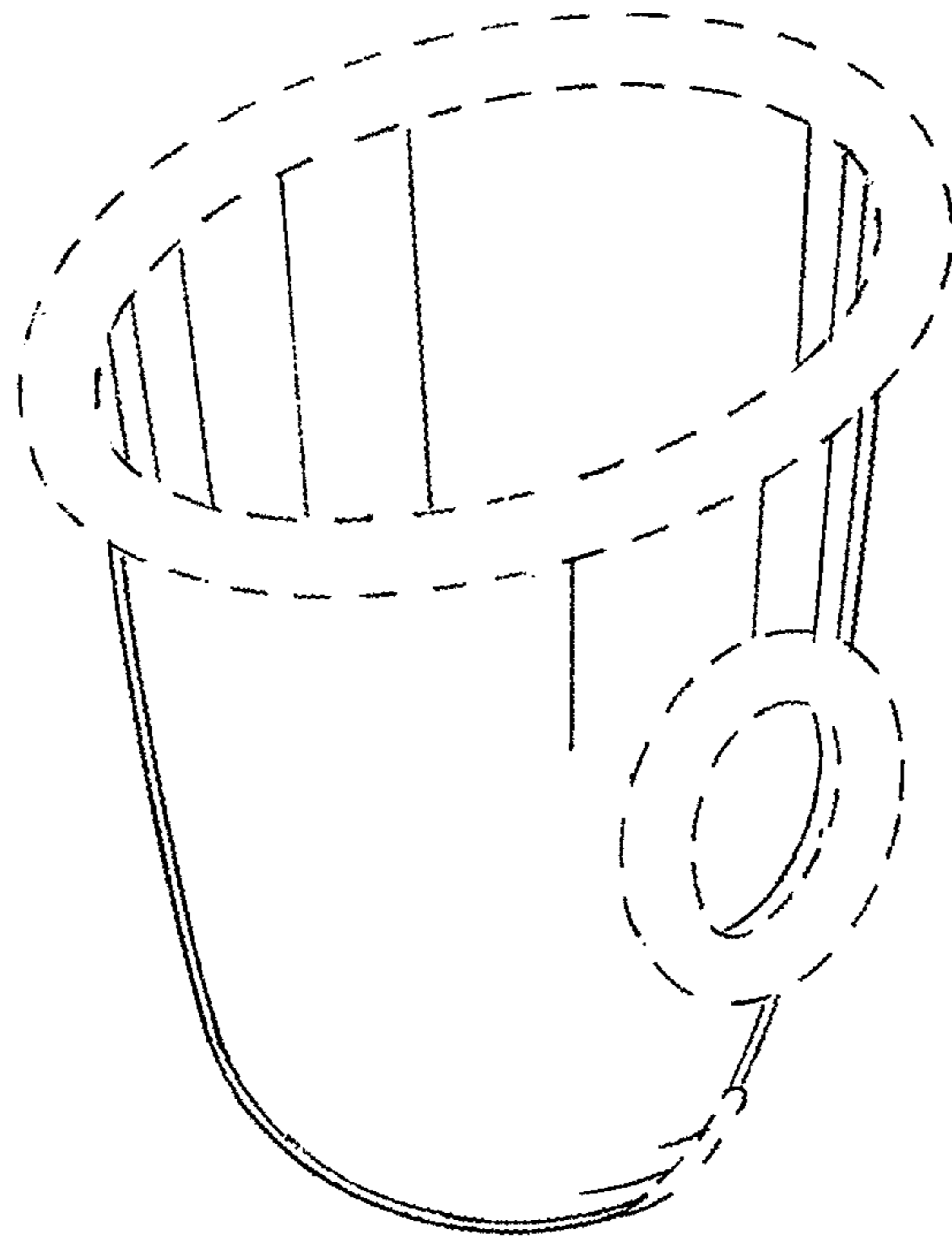


FIG. 7

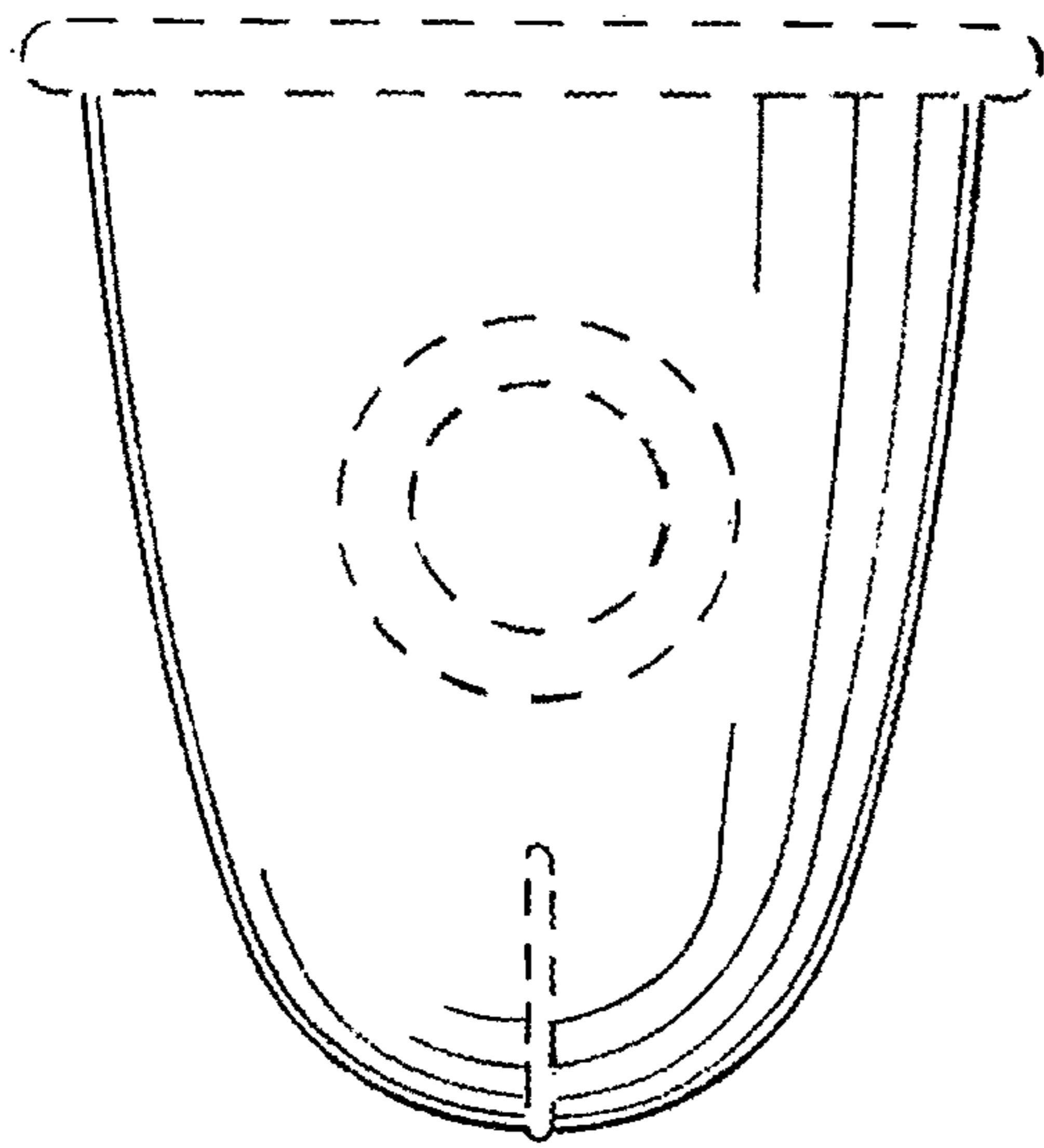


FIG. 8

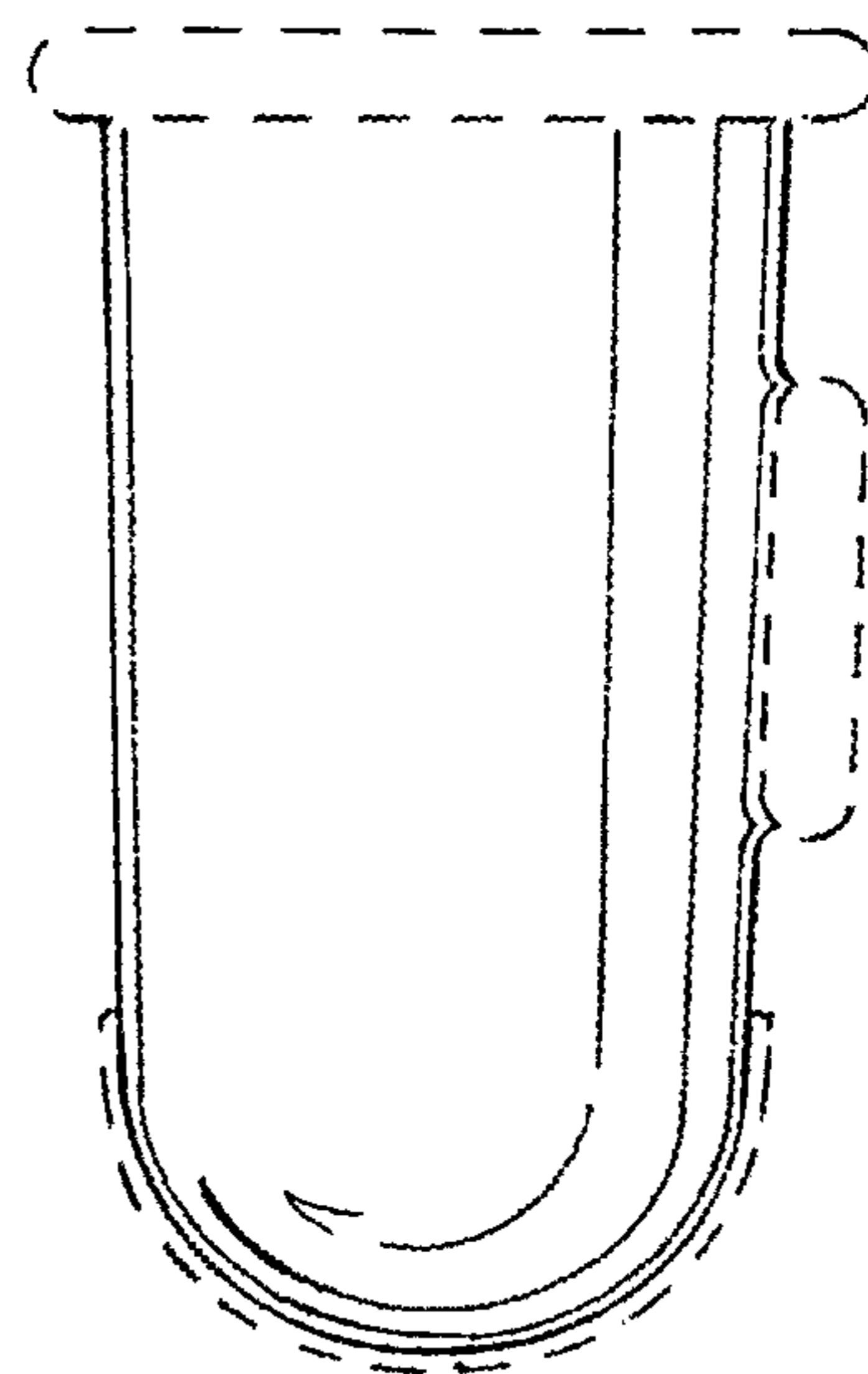


FIG. 9

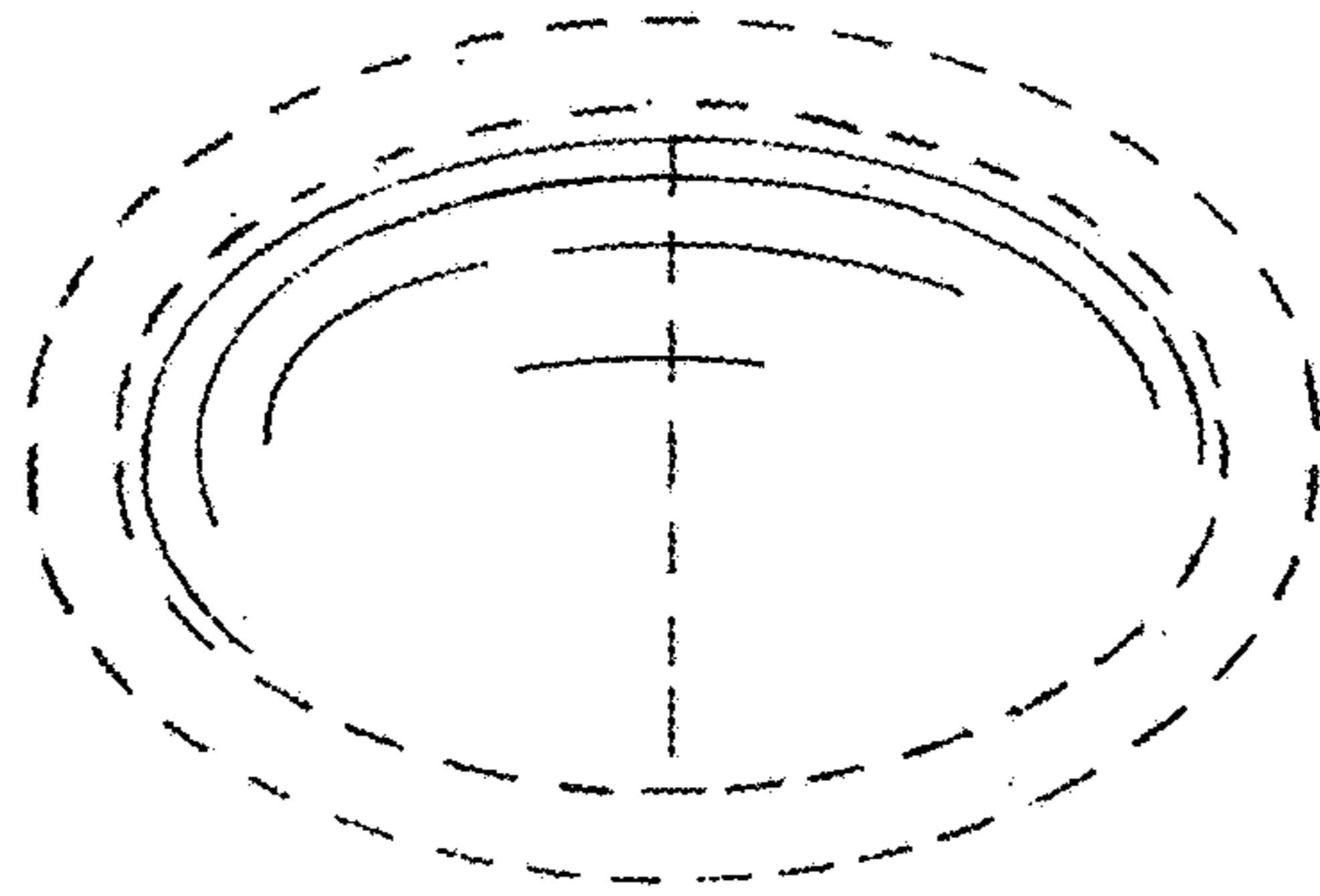


FIG. 10

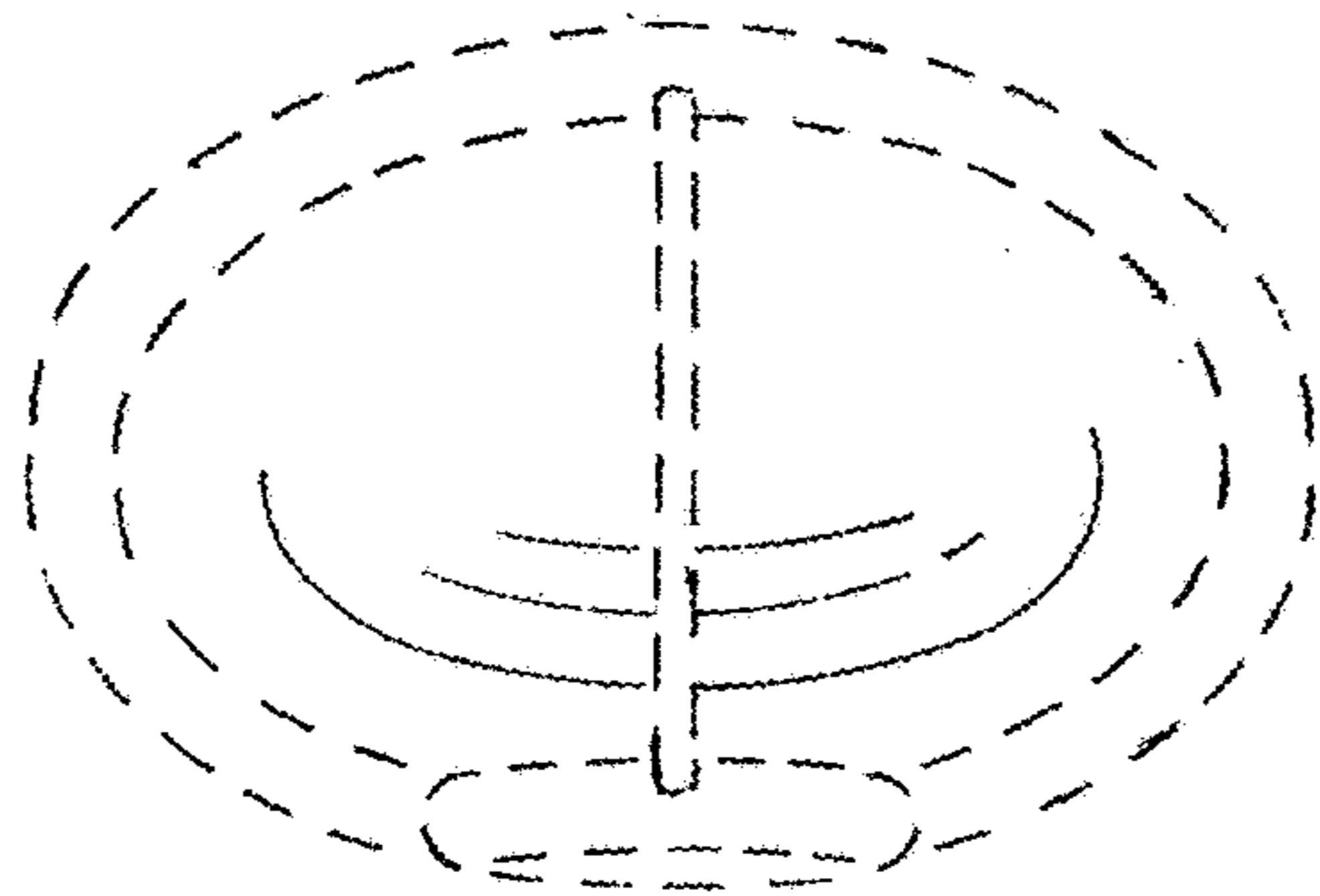


FIG. 11

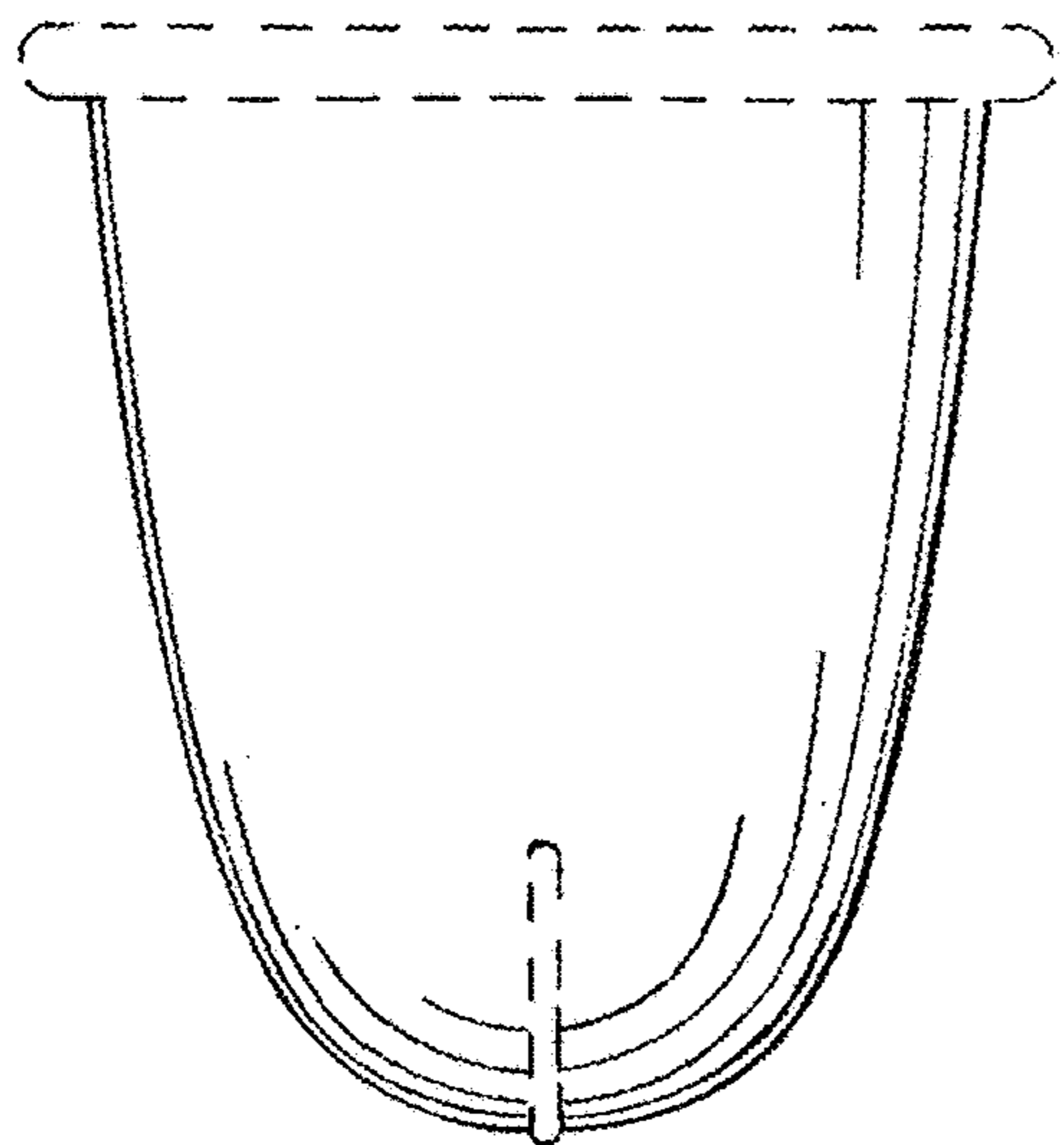


FIG. 12