



US00D775774S

(12) **United States Design Patent** (10) **Patent No.:** **US D775,774 S**  
**Fellers** (45) **Date of Patent:** **\*\* Jan. 3, 2017**

(54) **PLASTIC PALLET** 4,093,070 A \* 6/1978 Stahl ..... B65D 21/046  
206/507  
(71) Applicant: **Donald Lee Fellers**, Richardson, TX D261,444 S \* 10/1981 Munch ..... D3/312  
(US) 8,833,594 B2 \* 9/2014 Stahl ..... A47F 3/14  
206/557  
(72) Inventor: **Donald Lee Fellers**, Richardson, TX D719,713 S \* 12/2014 Fellers ..... D34/38  
(US) D724,809 S \* 3/2015 Howland ..... D34/38  
D728,188 S \* 4/2015 Fellers ..... D34/38  
9,296,516 B2 \* 3/2016 Stahl ..... B65D 21/0233  
(\*\*) Term: **15 Years** 9,302,810 B2 \* 4/2016 Cavalcante ..... B65D 1/34

(21) Appl. No.: **29/505,403**

(22) Filed: **Oct. 13, 2015**

(51) **LOC (10) Cl.** ..... **09-08**

(52) **U.S. Cl.**  
USPC ..... **D34/38**

(58) **Field of Classification Search**  
USPC ..... D34/35, 38; 108/51.11, 52.1, 53.1, 55.1,  
108/55.3, 55.5, 57.13, 53.3, 53.5, 56.1,  
108/57.14, 57.16, 901, 57.25, 54.1, 57.28;  
206/506, 507, 509, 386, 597, 599, 600,  
206/557; D3/312

CPC ..... B65D 2519/00273; B65D 2519/00293;  
B65D 2519/00034; B65D 2519/00069;  
B65D 2519/00323; B65D 2519/00288;  
B65D 2519/00318; B65D 2519/00567;  
B65D 2519/00104; B65D 2519/00268;  
B65D 2519/00139

See application file for complete search history.

(56) **References Cited**

**U.S. PATENT DOCUMENTS**

3,825,114 A \* 7/1974 Johnson ..... B65D 21/045  
206/507

\* cited by examiner

*Primary Examiner* — Cynthia Ramirez

*Assistant Examiner* — Gino Colan

(74) *Attorney, Agent, or Firm* — Robert E. Wise

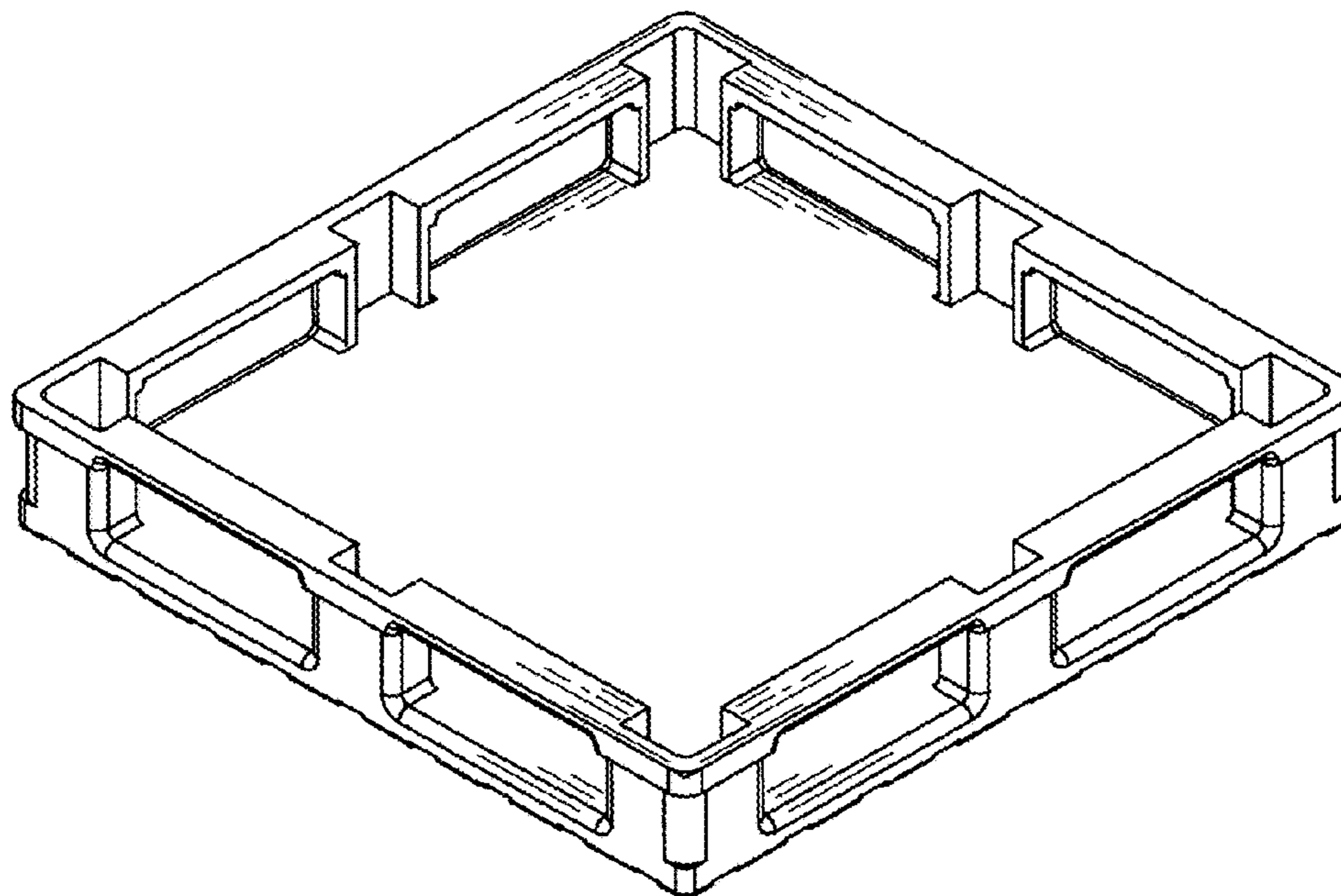
(57) **CLAIM**

The ornamental design for a plastic pallet, as shown and described.

**DESCRIPTION**

FIG. 1 is a bottom corner perspective view of a plastic pallet showing my new design;  
FIG. 2 is a top corner perspective view thereof;  
FIG. 3 is a bottom plan view thereof; and,  
FIG. 4 is a side elevational view thereof, each of the four side elevational views being identical image thereof.

**1 Claim, 3 Drawing Sheets**



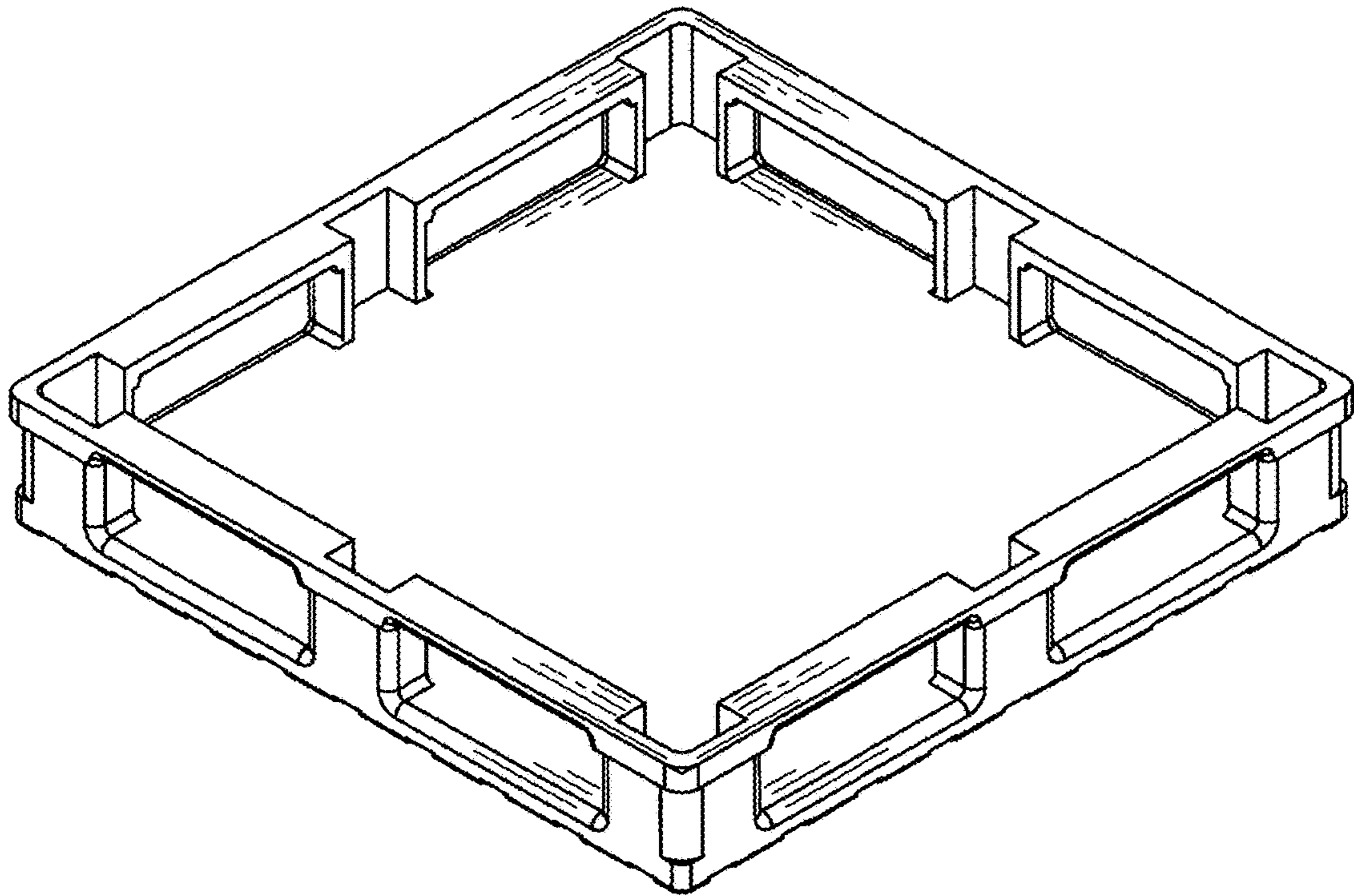


FIG. 1

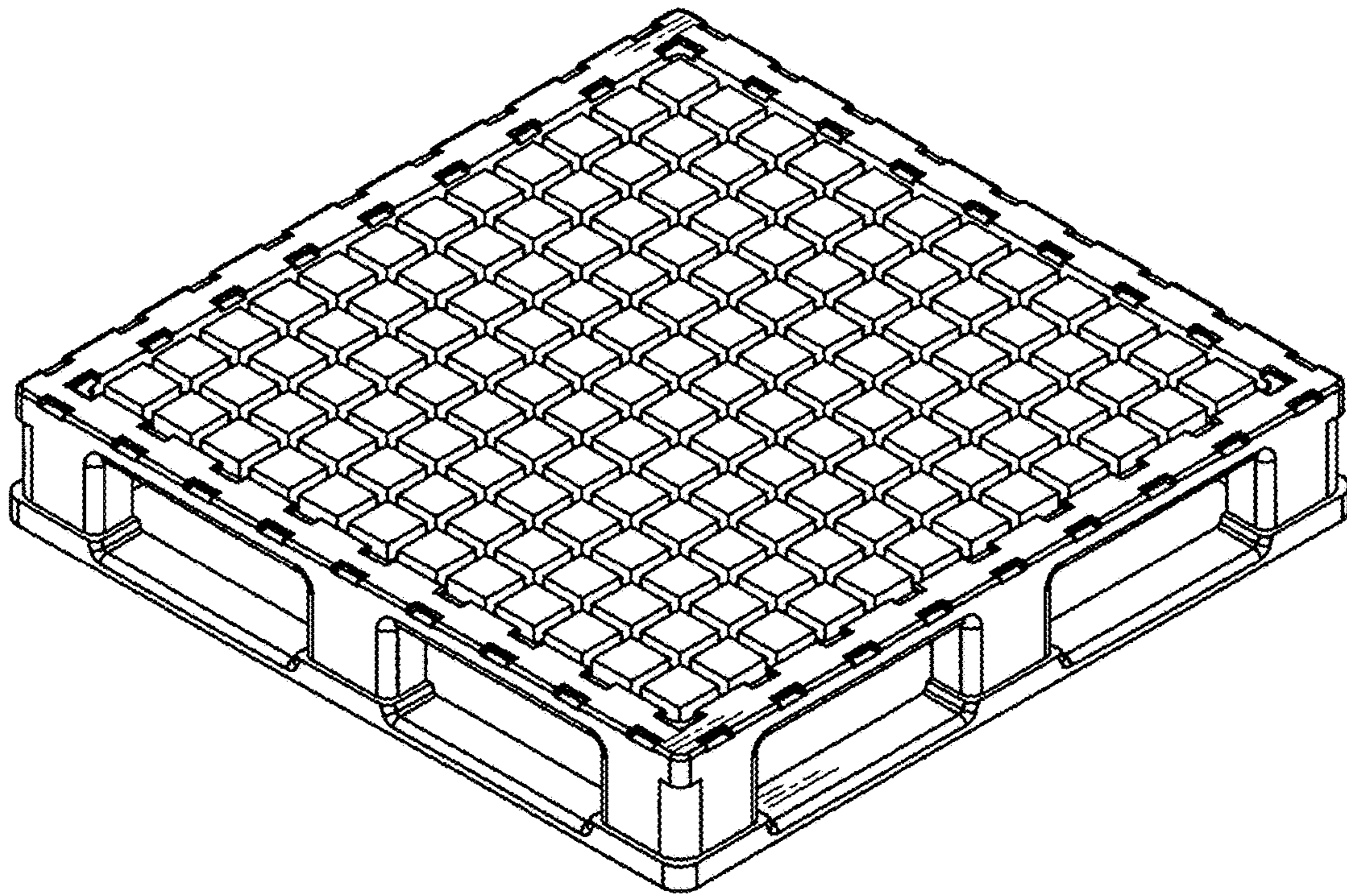


FIG. 2

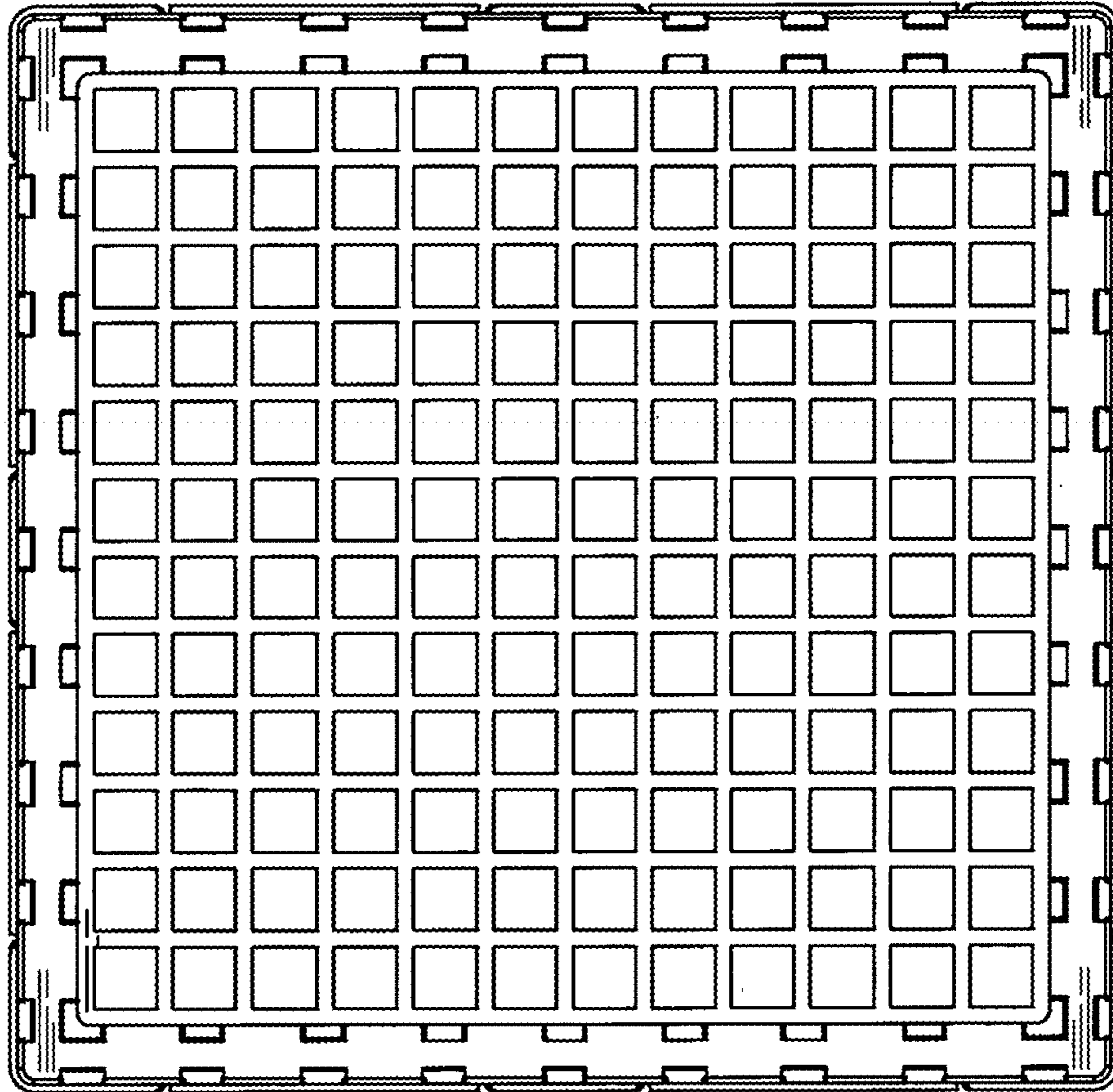


FIG. 3

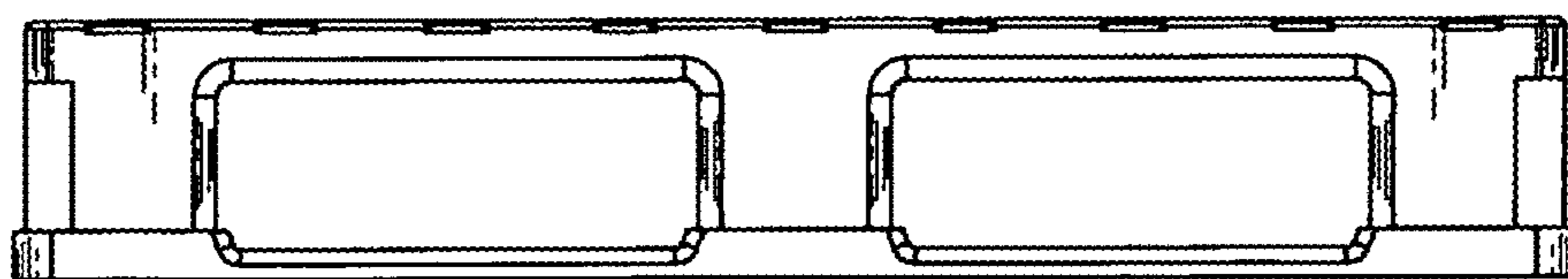


FIG. 4